



US00D797483S

(12) **United States Design Patent** (10) **Patent No.:** **US D797,483 S**  
Su (45) **Date of Patent:** **\*\* Sep. 19, 2017**

(54) <b>CHAIR FOOT RING</b>	6,695,407 B1 * 2/2004 Lin ..... A47C 7/506 297/344.18
(71) Applicant: <b>Chih-Cheng Su</b> , Dongguan (CN)	7,229,054 B2 * 6/2007 Hu ..... A47C 7/004 248/188.1
(72) Inventor: <b>Chih-Cheng Su</b> , Dongguan (CN)	8,297,563 B2 * 10/2012 Tsai ..... A47C 7/004 297/423.38
(73) Assignee: <b>DONGGUAN KENTEC OFFICE SEATING CO., LTD.</b> , Dongguan (CN)	8,864,230 B2 * 10/2014 Augustat ..... A47C 3/20 297/300.1
(**) Term: <b>15 Years</b>	9,144,315 B1 * 9/2015 Cheng ..... A47C 7/506 9,254,041 B2 * 2/2016 Kessler ..... A47C 7/004 9,498,066 B2 * 11/2016 Bock ..... A47C 7/004 9,578,969 B1 * 2/2017 Su ..... A47C 7/506

(21) Appl. No.: **29/552,999**

(22) Filed: **Jan. 27, 2016**

(51) **LOC (10) Cl.** ..... **06-01**

(52) **U.S. Cl.**  
USPC ..... **D6/708.25**

(58) **Field of Classification Search**  
USPC ..... D6/334-336, 364, 365, 366, 708.23,  
D6/708.24, 708.25  
CPC ..... A47C 7/002; A47C 7/004; A47C 7/006;  
A47C 7/50; A47C 7/506; A47C 3/18;  
A47C 3/20; A47C 3/24  
See application file for complete search history.

\* cited by examiner

Primary Examiner — Mimoso De

(57) **CLAIM**

The ornamental design for a chair foot ring, as shown.

**DESCRIPTION**

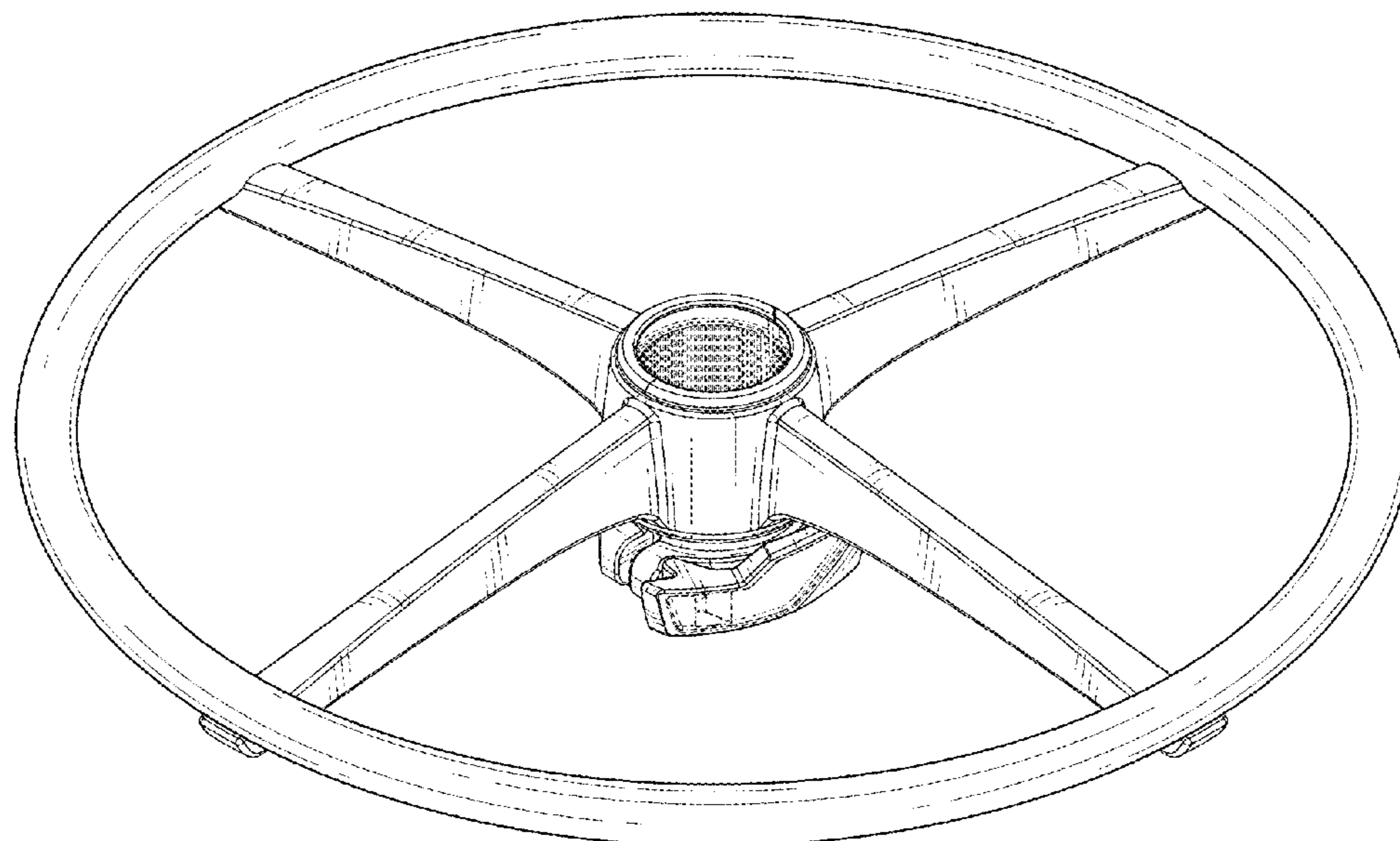
FIG. 1 is a perspective view of a chair foot ring showing my new design;  
 FIG. 2 is a front elevational view thereof;  
 FIG. 3 is a rear elevational view thereof;  
 FIG. 4 is a left side elevational view thereof;  
 FIG. 5 is a right side elevational view thereof;  
 FIG. 6 is a top plan view thereof; and,  
 FIG. 7 is a bottom plan view thereof.  
 The broken lines shown in the drawing are for the purpose of illustrating environmental structure and form no part of the claimed design.

**1 Claim, 5 Drawing Sheets**

(56) **References Cited**

U.S. PATENT DOCUMENTS

3,278,229 A *	10/1966	Bates	.....	A47C 3/18 297/344.18
D229,146 S *	11/1973	Kipp	.....	D6/708.25
4,623,195 A *	11/1986	Avella	.....	A47C 7/004 297/423.38
5,988,754 A *	11/1999	Lamart	.....	A47C 7/506 297/344.19



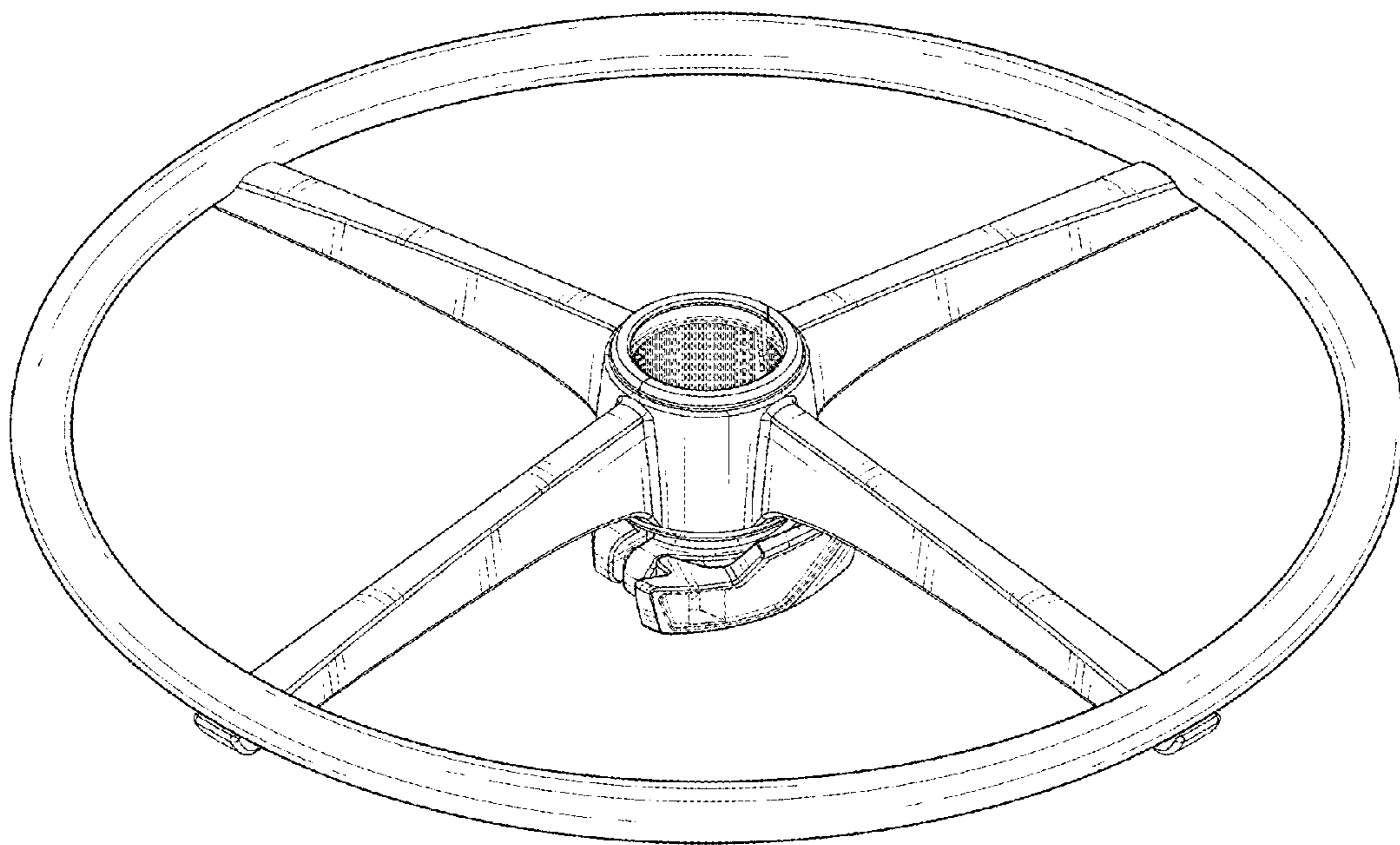


FIG. 1

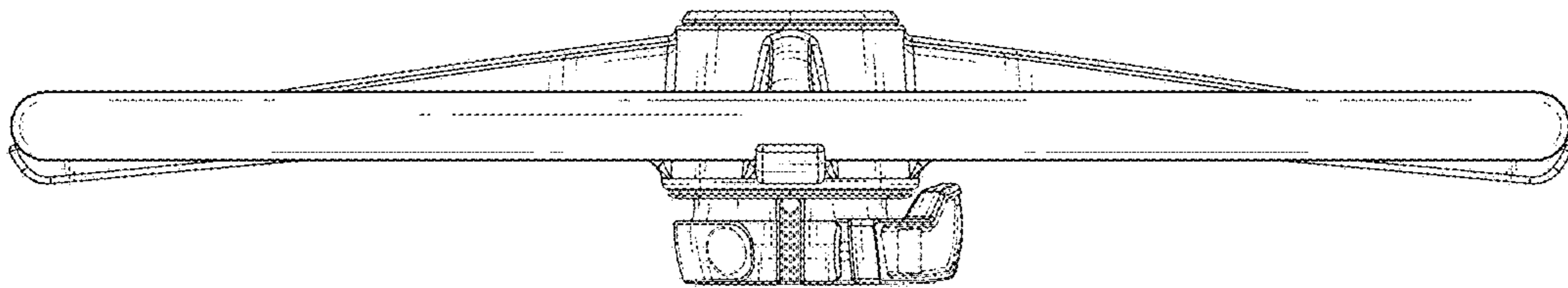


FIG. 2

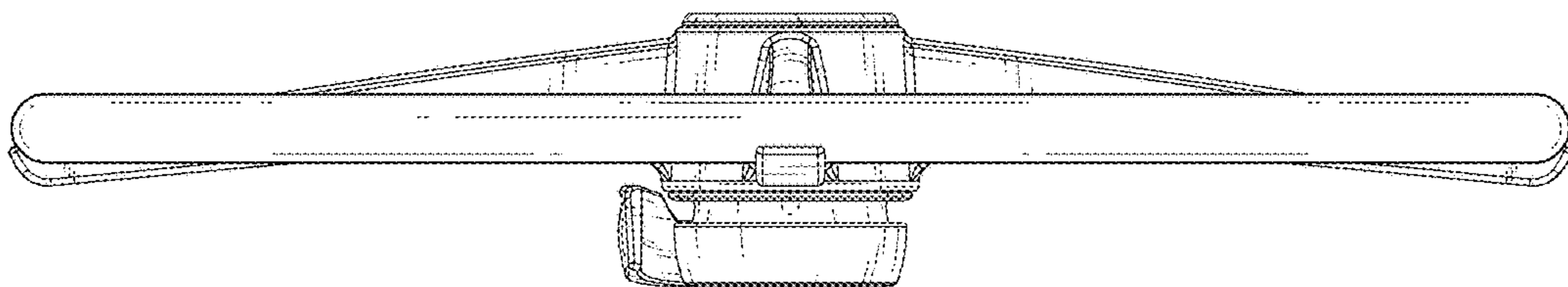


FIG. 3

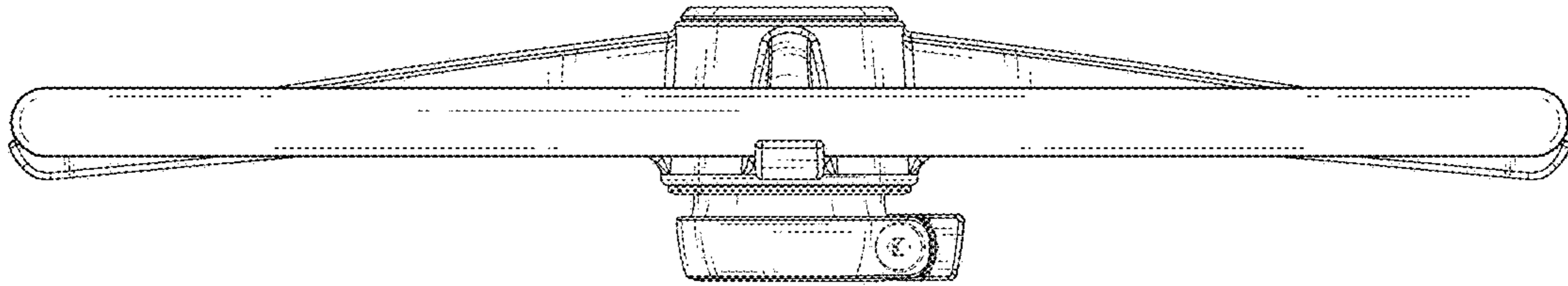


FIG. 4

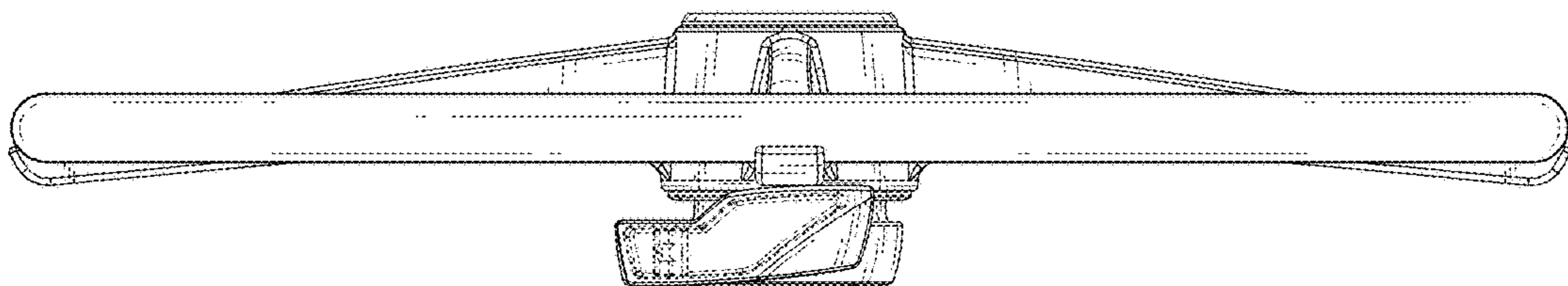


FIG. 5

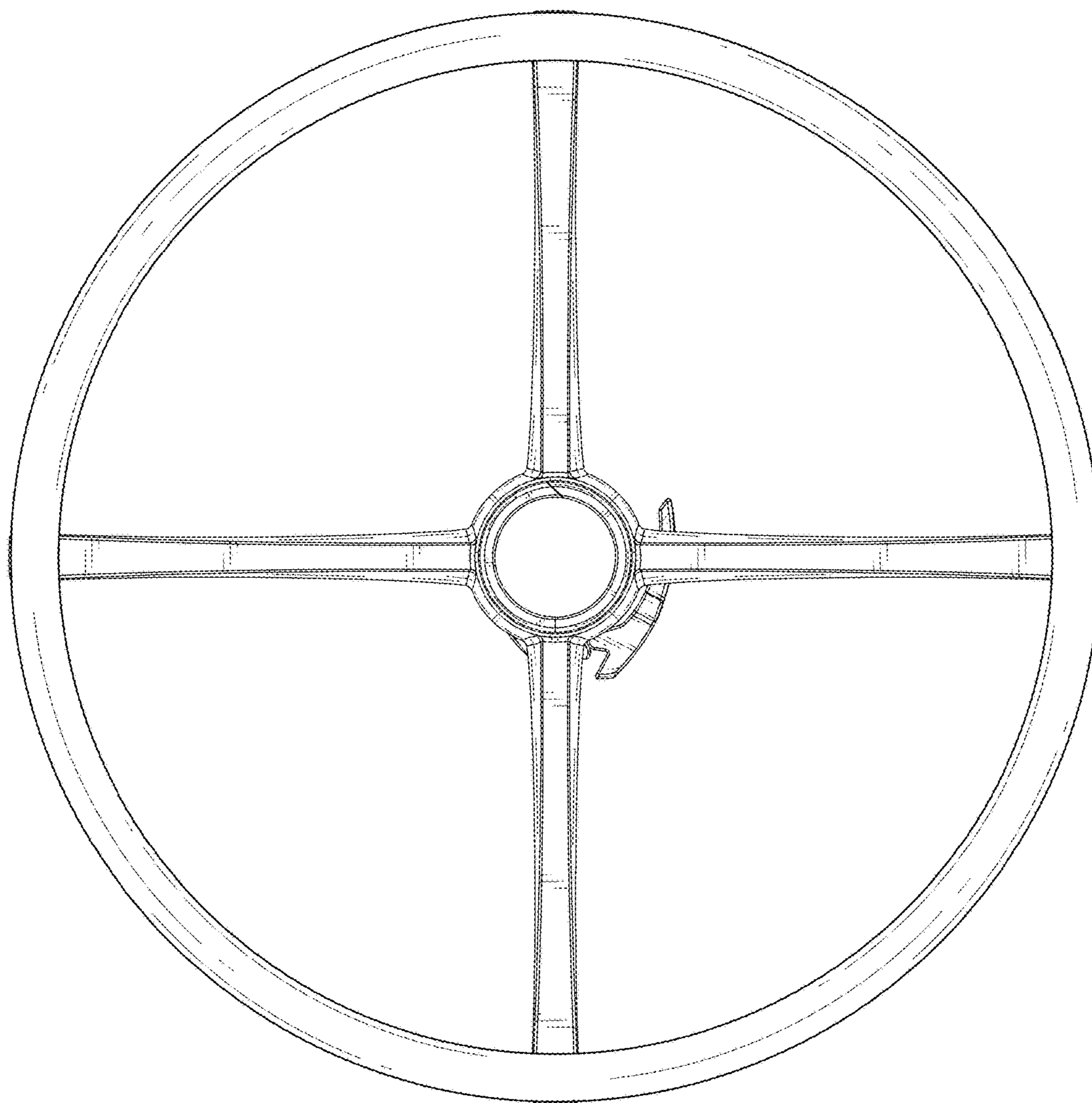


FIG. 6



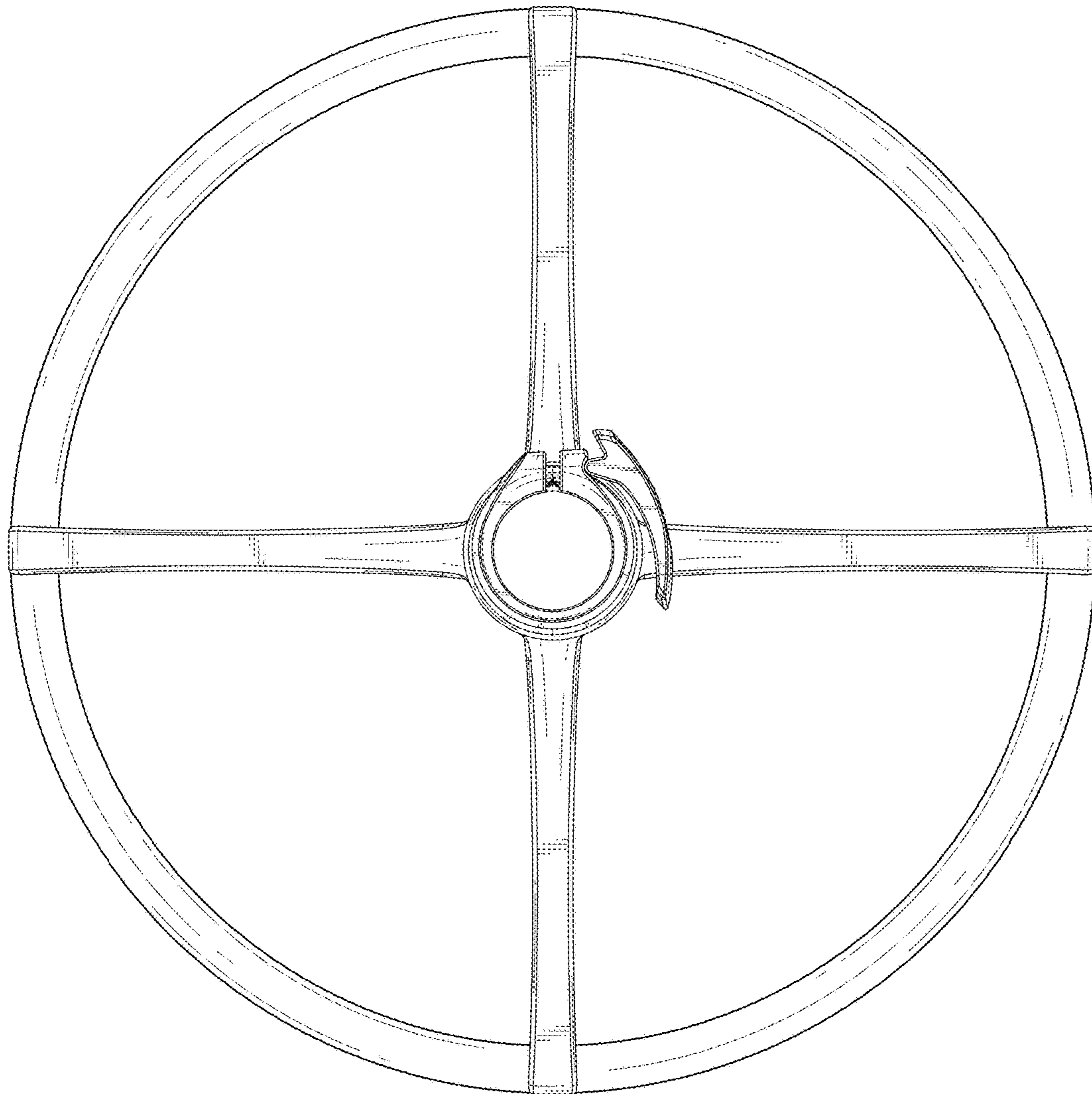


FIG. 7