



US00D797481S

(12) **United States Design Patent** (10) **Patent No.:** **US D797,481 S**
Pos (45) **Date of Patent:** **** *Sep. 19, 2017**

(54) **BASE FOR A SAFETY CHILD SEAT**

(56) **References Cited**

(71) Applicant: **CYBEX GMBH**, Bayreuth (DE)

U.S. PATENT DOCUMENTS

(72) Inventor: **Martin Pos**, Bayreuth (DE)

D376,919 S * 12/1996 Sedlack D6/333

D535,125 S * 1/2007 Batchelor D6/708.19

D650,597 S * 12/2011 Lehman D6/333

D687,231 S * 8/2013 Gillett D6/333

D692,678 S * 11/2013 Williams D6/333

D698,558 S * 2/2014 Williams D6/333

9,227,537 B2 * 1/2016 Cheng B60N 2/2821

2014/0327281 A1 * 11/2014 Hou B60N 2/2821

297/217.1

2015/0091343 A1 * 4/2015 Cheng B60N 2/2821

297/216.11

2016/0059746 A1 * 3/2016 Finnestad B60N 2/2866

297/256.11

(*) Notice: This patent is subject to a terminal disclaimer.

(**) Term: **15 Years**

(21) Appl. No.: **35/500,100**

(22) Filed: **May 15, 2015**

(80) **Hague Agreement Data**

Int. Filing Date: **May 15, 2015**

Int. Reg. No.: **DM/087158**

Int. Reg. Date: **May 15, 2015**

Int. Reg. Pub. Date: **Aug. 21, 2015**

* cited by examiner

Primary Examiner — Mary Ann Calabrese

(57) **CLAIM**

The ornamental design for base for a safety child seat, as shown and described.

(51) **LOC (10) Cl.** **06-01**

(52) **U.S. Cl.**

USPC **D6/708.19**

(58) **Field of Classification Search**

USPC D6/333, 334, 356, 364–366, 372–375,
D6/708.19, 716, 716.1, 716.19, 716.2,
D6/716.4

CPC A47C 1/12; A47C 1/14; A47C 1/16; A47C
3/16; A47C 4/02; A47C 4/03; A47C 5/12;
A47C 7/00; A47C 7/02; A47C 7/021;
A47C 7/022; A47C 7/16; A47C 7/40;
B60N 2/26; B60N 2/28; B60N 2/2803;
B60N 2/2821; B60N 2/2884; B60N 2/30

See application file for complete search history.

DESCRIPTION

1. Base for a safety child seat

1.1 is a rear view.

1.2 is a bottom view.

1.3 is a front view.

1.4 is a right side view.

1.5 is a perspective view.

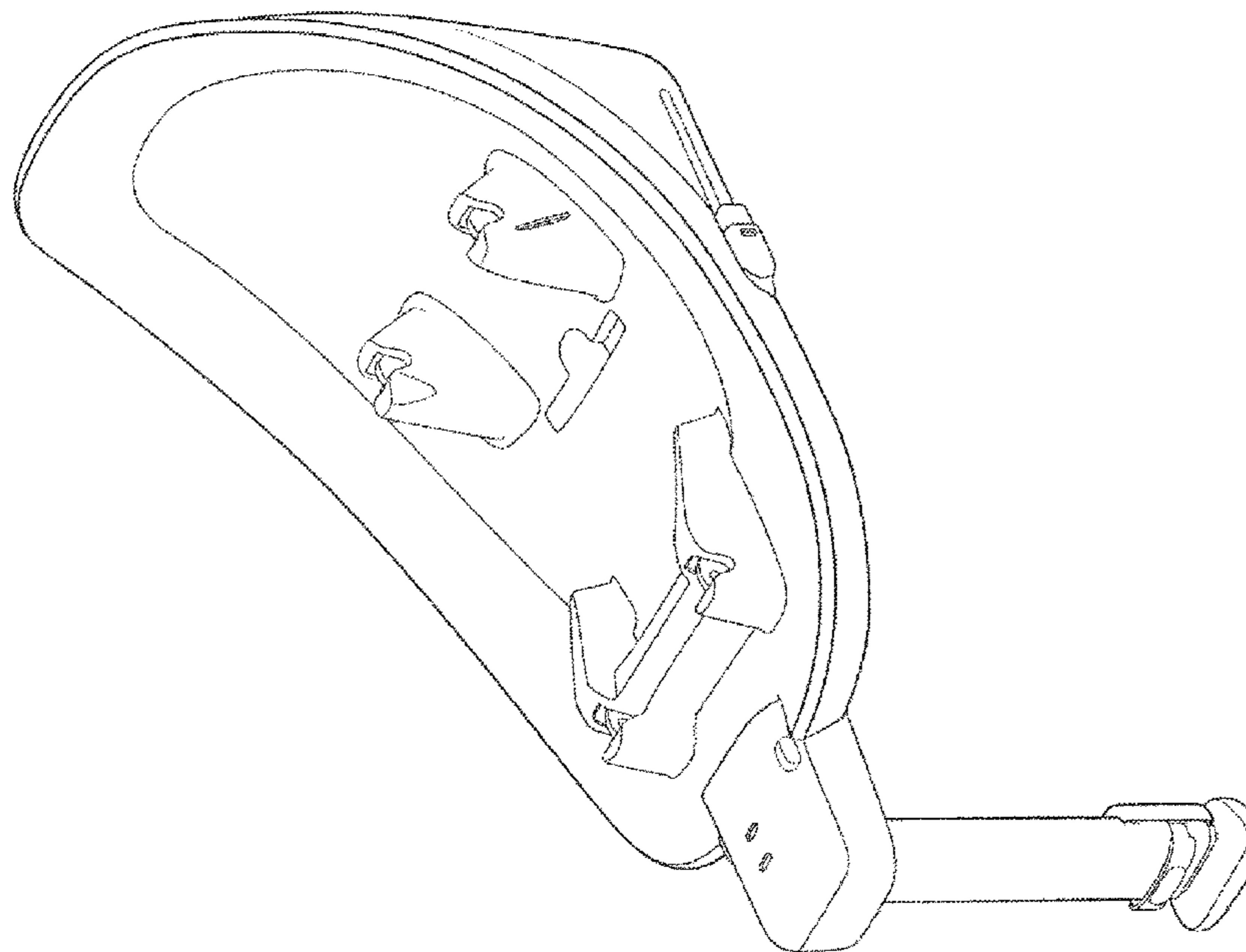
1.6 is a left side view.

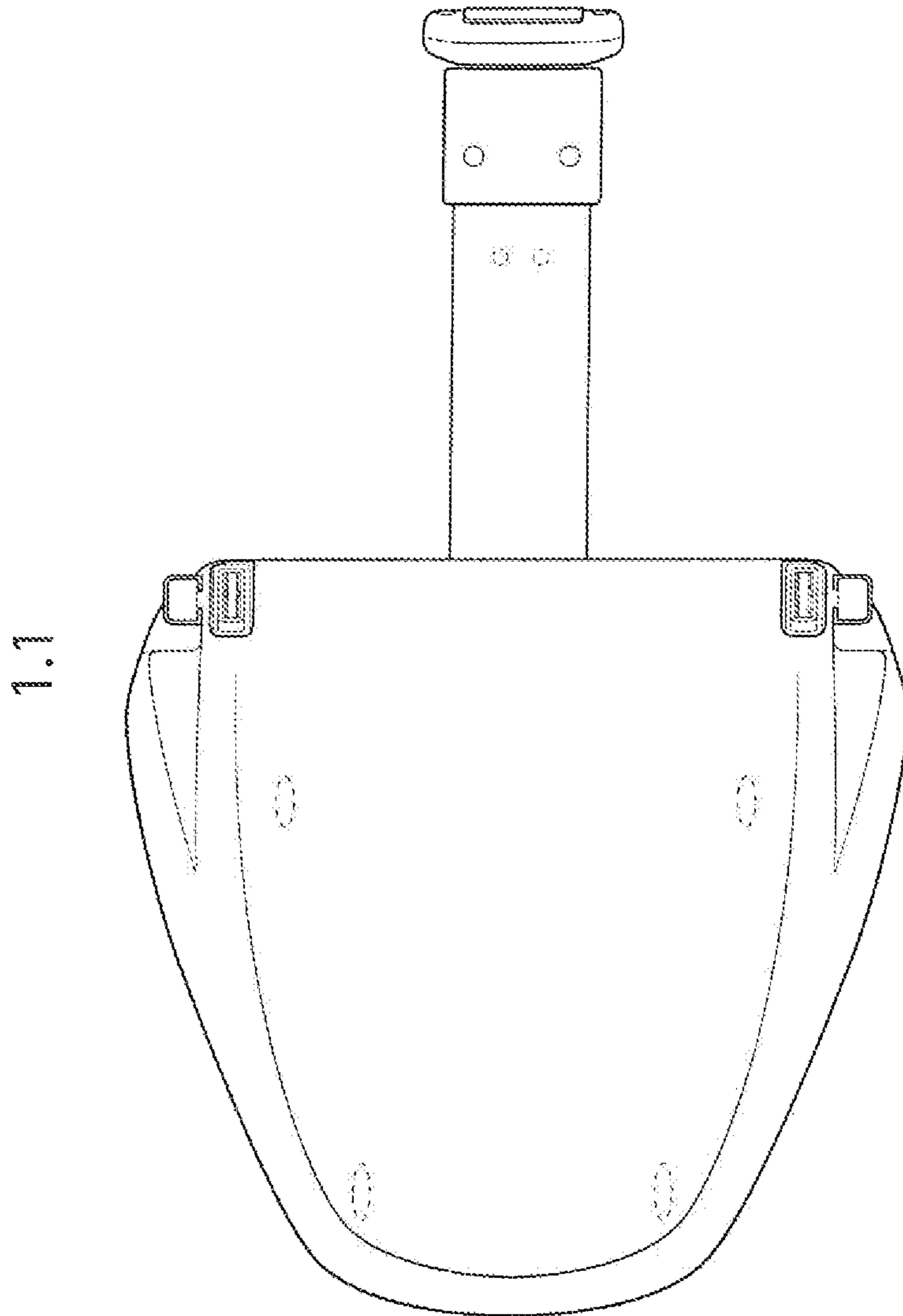
1.7 is a top view.

In the drawings, the broken lines represent portions of the base for a safety child seat that form no part of the claimed design.

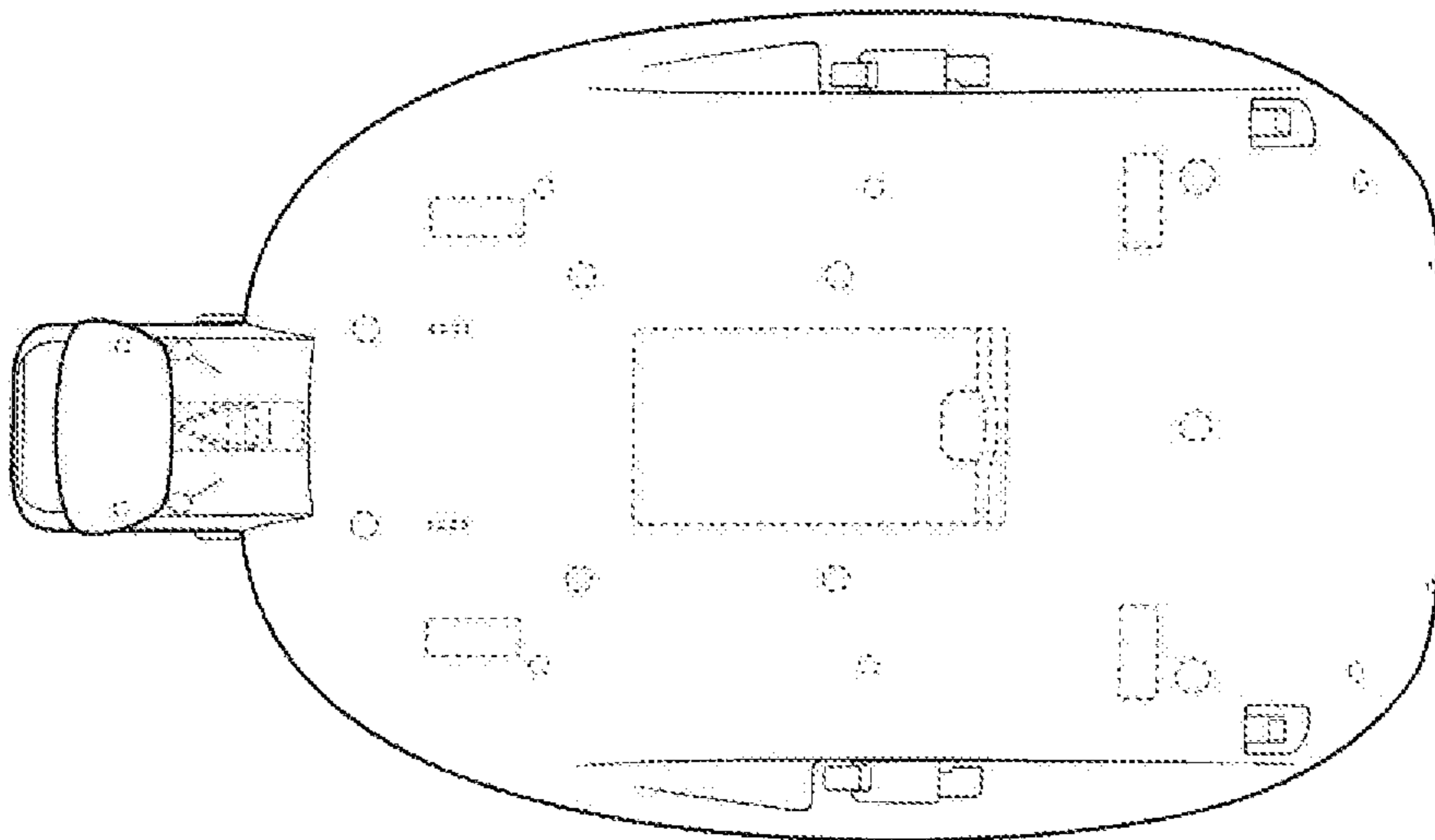
Base for a child seat to be mounted on the rear seat of a car.

1 Claim, 7 Drawing Sheets

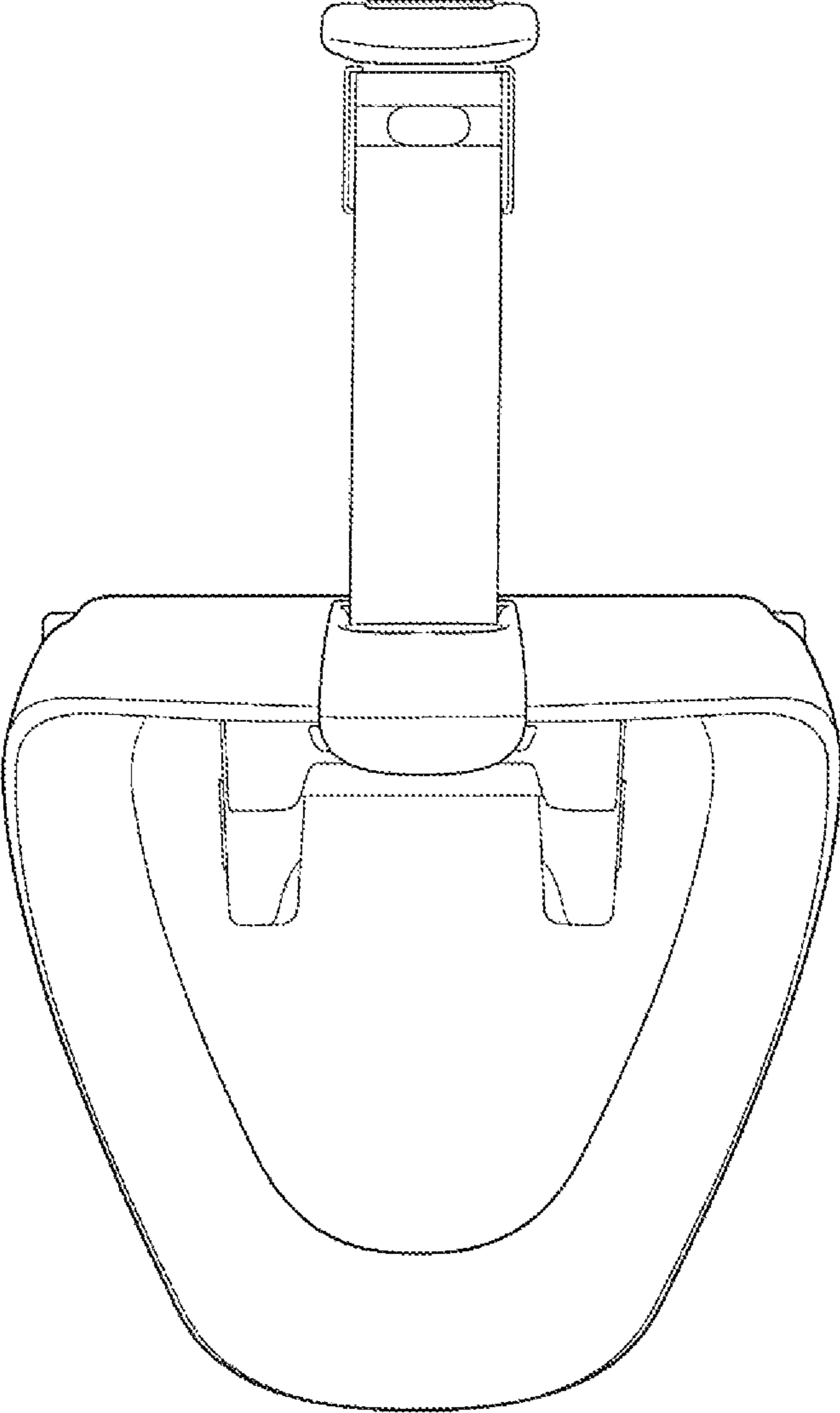




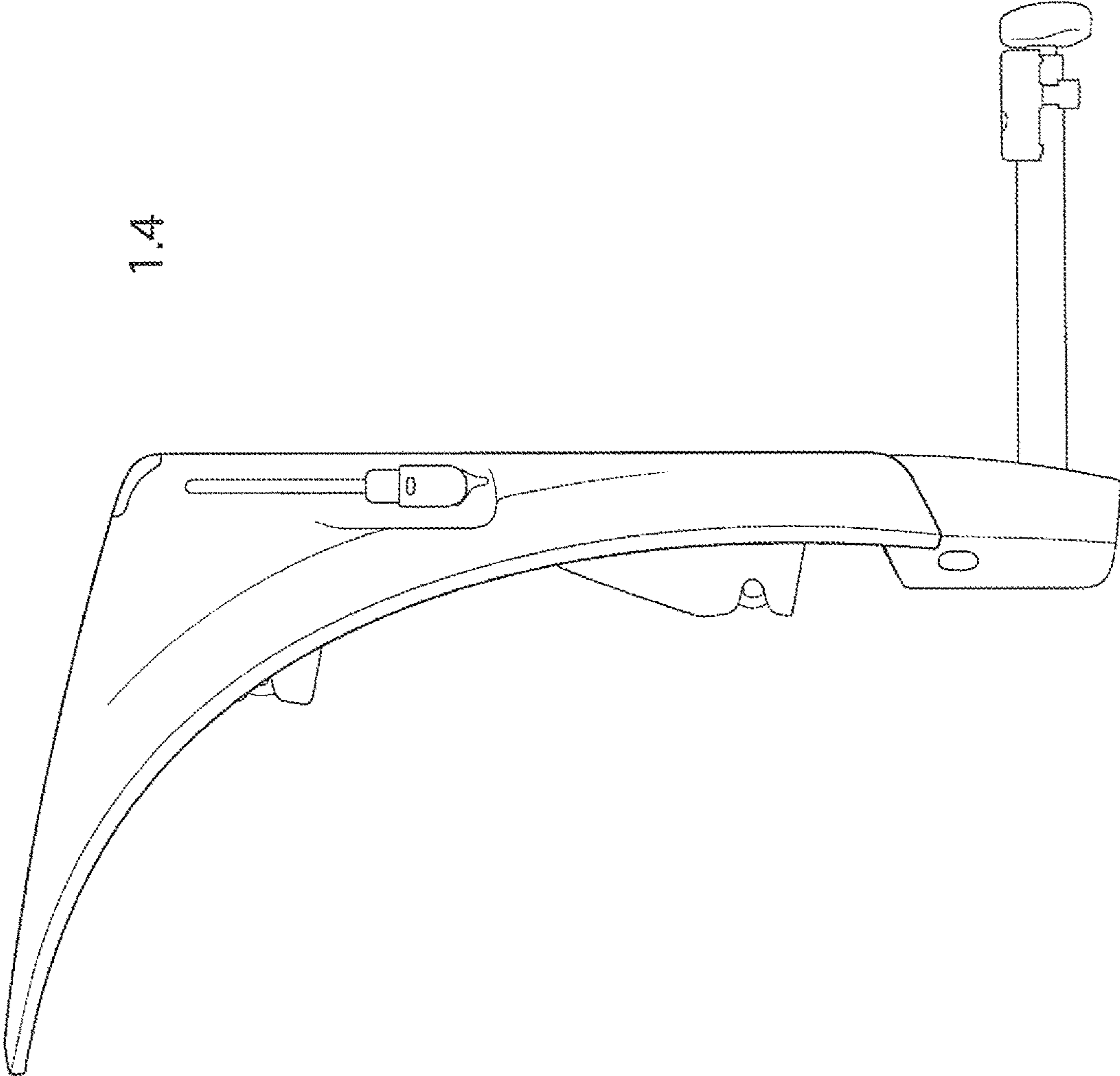
1.2

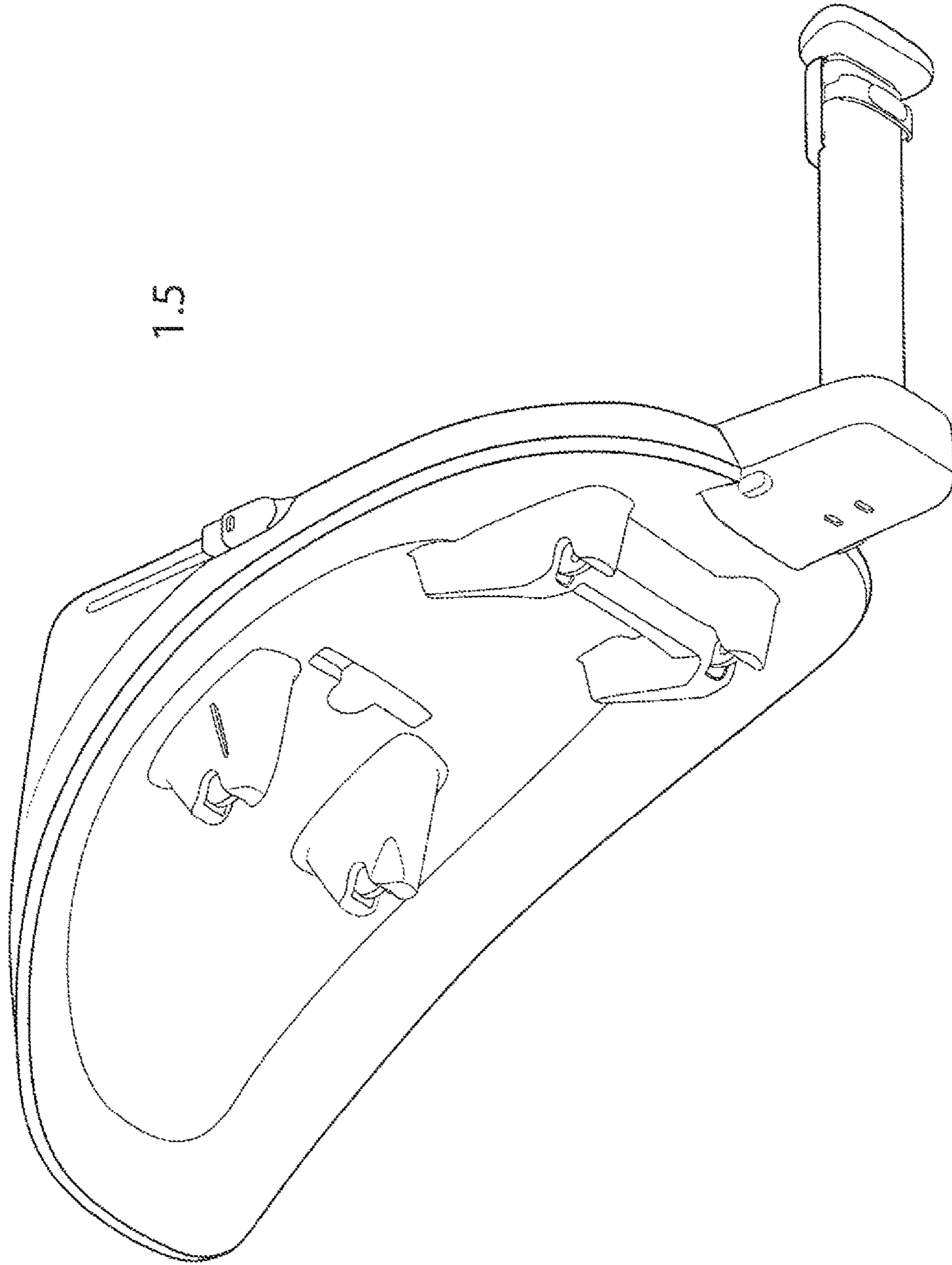


1.3



1.4





1.5

