



US00D797480S

(12) **United States Design Patent**
Ruan et al.

(10) **Patent No.:** **US D797,480 S**
(45) **Date of Patent:** **** Sep. 19, 2017**

(54) **TABLE**

(71) Applicant: **LYCS Architecture Ltd.**, Hangzhou (CN)

(72) Inventors: **Hao Ruan**, Hangzhou (CN); **Zhenyu Lai**, Hangzhou (CN); **Jingrui Lin**, Hangzhou (CN)

(73) Assignee: **LYCS ARCHITECTURE LTD.**, Hangzhou (CN)

(**) Term: **14 Years**

(21) Appl. No.: **29/504,164**

(22) Filed: **Oct. 2, 2014**

(30) **Foreign Application Priority Data**

Apr. 8, 2014 (CN) 2014 3 0079792

(51) **LOC (10) Cl.** **06-03**

(52) **U.S. Cl.**
USPC **D6/691.1**

(58) **Field of Classification Search**
USPC D6/641, 647, 650, 653, 656.19, 683.1, D6/685, 688.12, 688.15, 688.24, 691, D6/691.1, 691.3, 691.6, 696, 697, D6/697.707, 707.19, 707.22
CPC A47B 1/00; A47B 13/00; A47B 13/08; A47B 17/00; A47B 37/00; A47B 96/00; A47B 96/18; A47B 97/00
See application file for complete search history.

(56) **References Cited**

U.S. PATENT DOCUMENTS

D361,457 S * 8/1995 Laske D6/692.4
D674,631 S * 1/2013 Blanc D6/707.22
D713,189 S * 9/2014 Rak D6/707.19
D731,217 S * 6/2015 Versace D6/691

OTHER PUBLICATIONS

The CATable Wooden Desk Doubles As Cat Playground. Geekologie. Apr. 24, 2014. Site Visited on Aug. 2, 2016. Found on the Internet at: <http://geekologie.com/2014/04/the-catable-wooden-desk-doubles-as-cat-p.php>.*

* cited by examiner

Primary Examiner — Mary Ann Calabrese

Assistant Examiner — Jennifer L Rempfer

(74) *Attorney, Agent, or Firm* — Jiwen Chen

(57) **CLAIM**

We claim the ornamental design for a table, as shown.

DESCRIPTION

FIG. 1 is a left front perspective view of the table showing my new design;

FIG. 2 is a bottom perspective view thereof;

FIG. 3 is a front elevational view thereof;

FIG. 4 is a right side elevational view thereof;

FIG. 5 is a rear elevational view thereof;

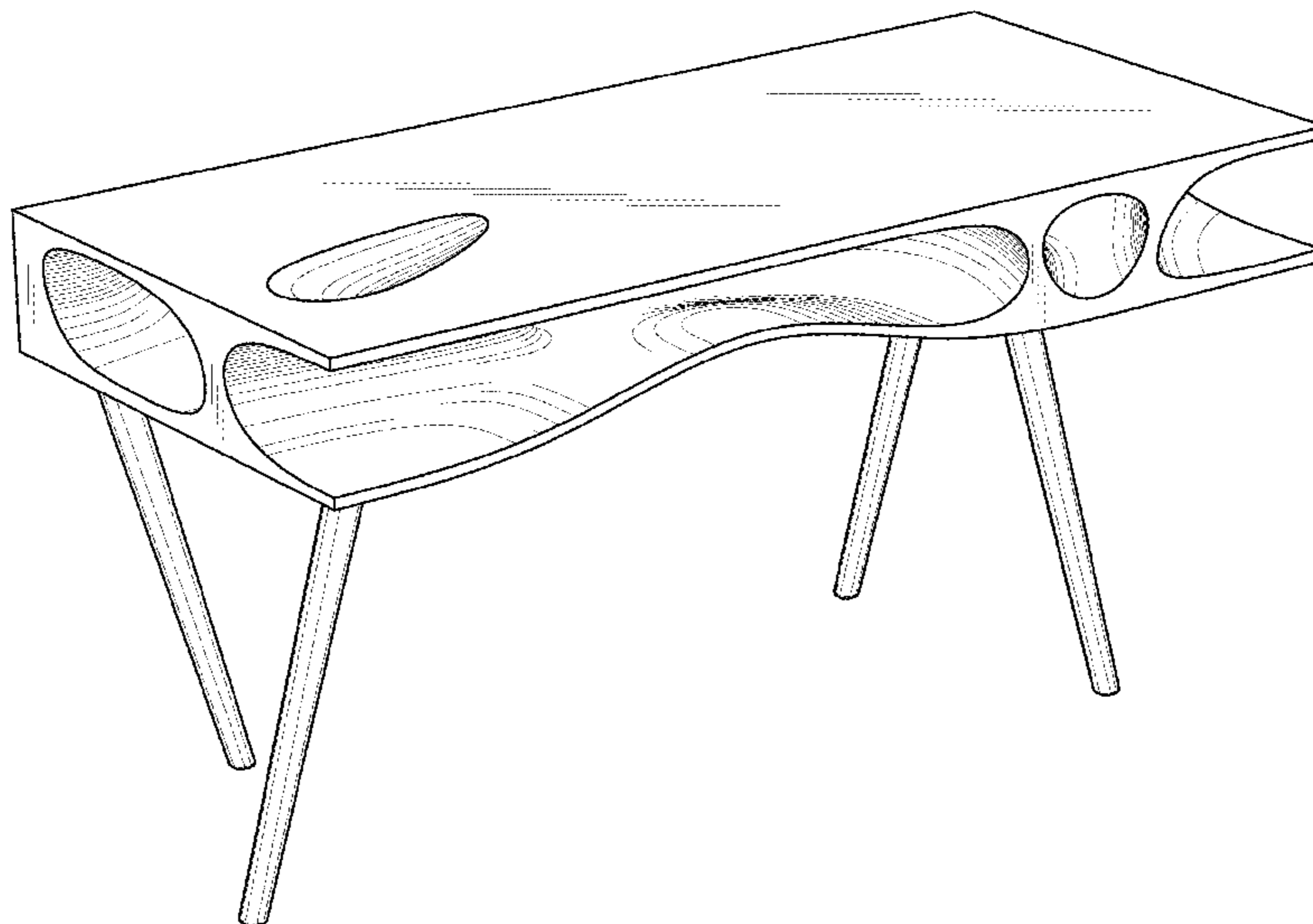
FIG. 6 is a left side elevational view thereof;

FIG. 7 is a top plan view thereof; and,

FIG. 8 is a bottom view of thereof.

The broken lines in the drawing showing features or boundaries that form no part of the design to be patented.

1 Claim, 8 Drawing Sheets



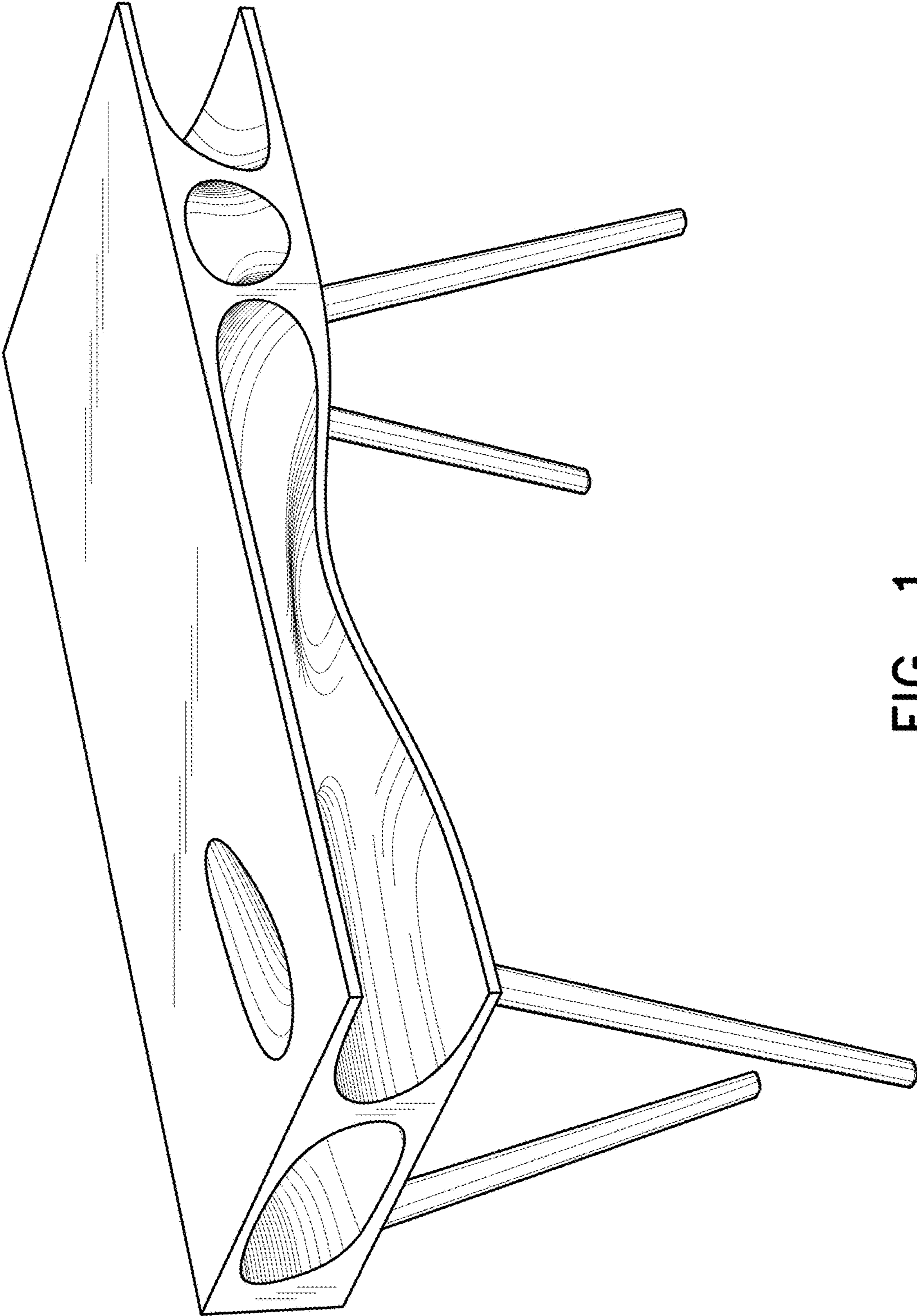


FIG. 1

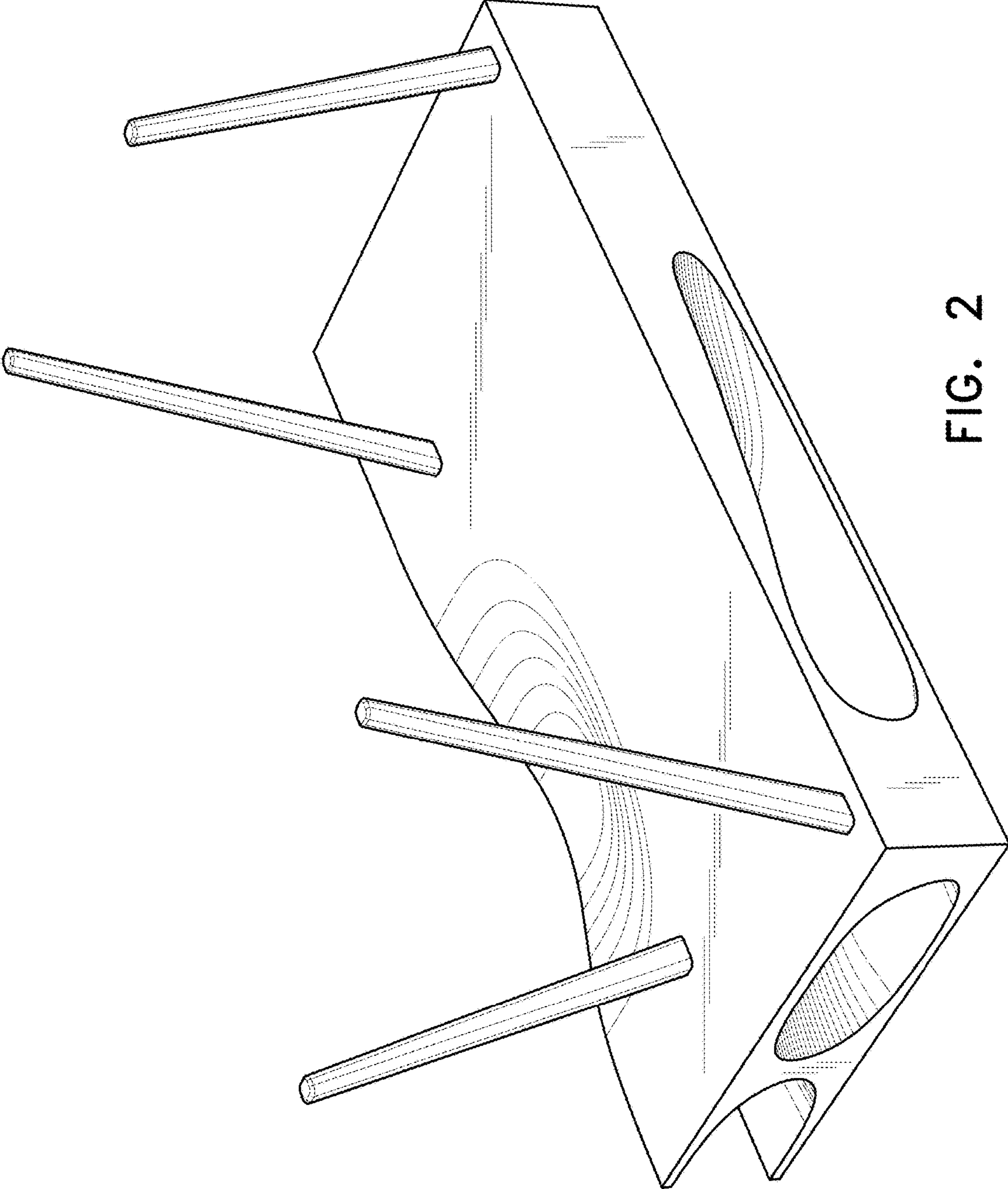


FIG. 2

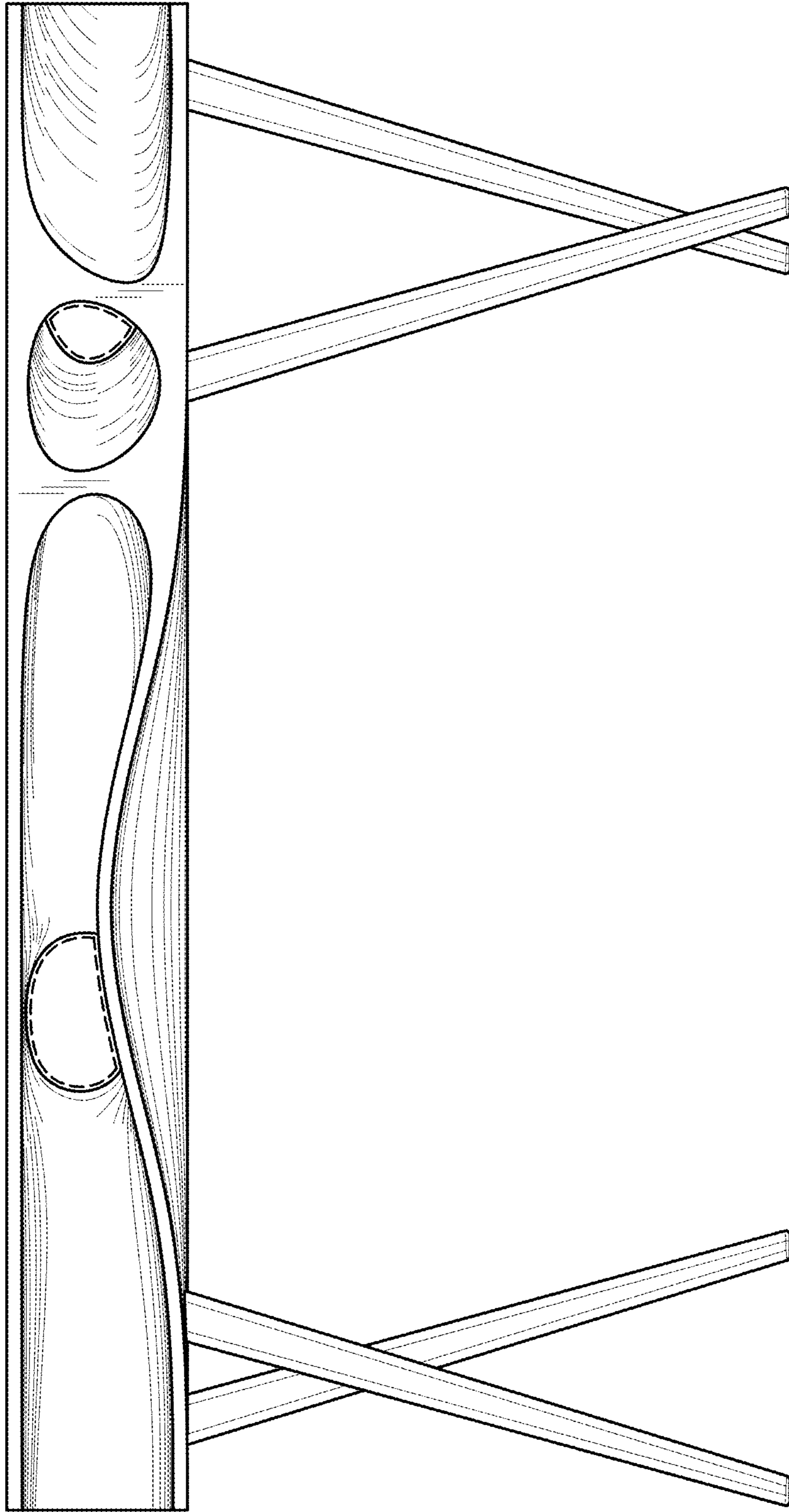


FIG. 3

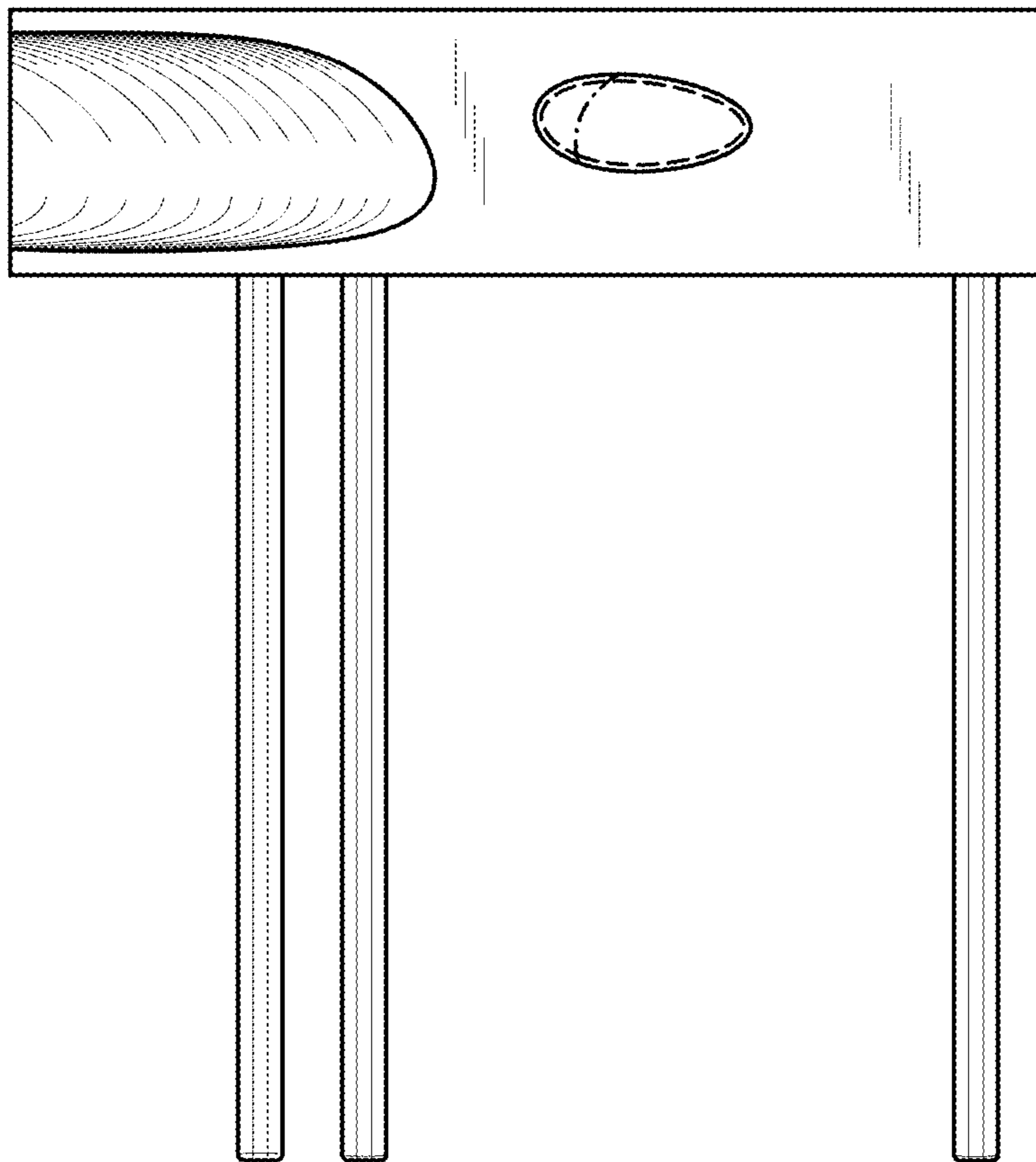


FIG. 4

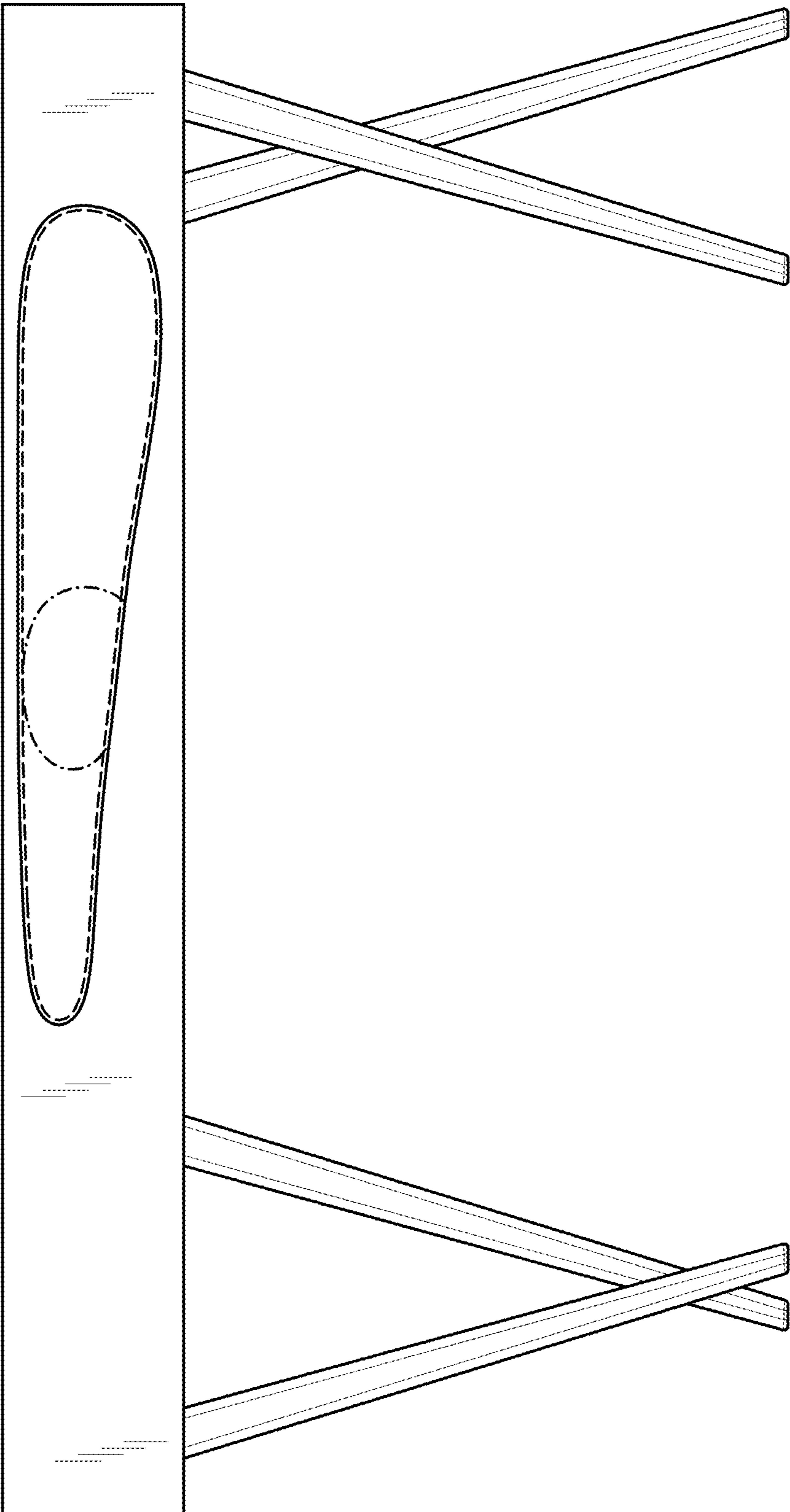


FIG. 5

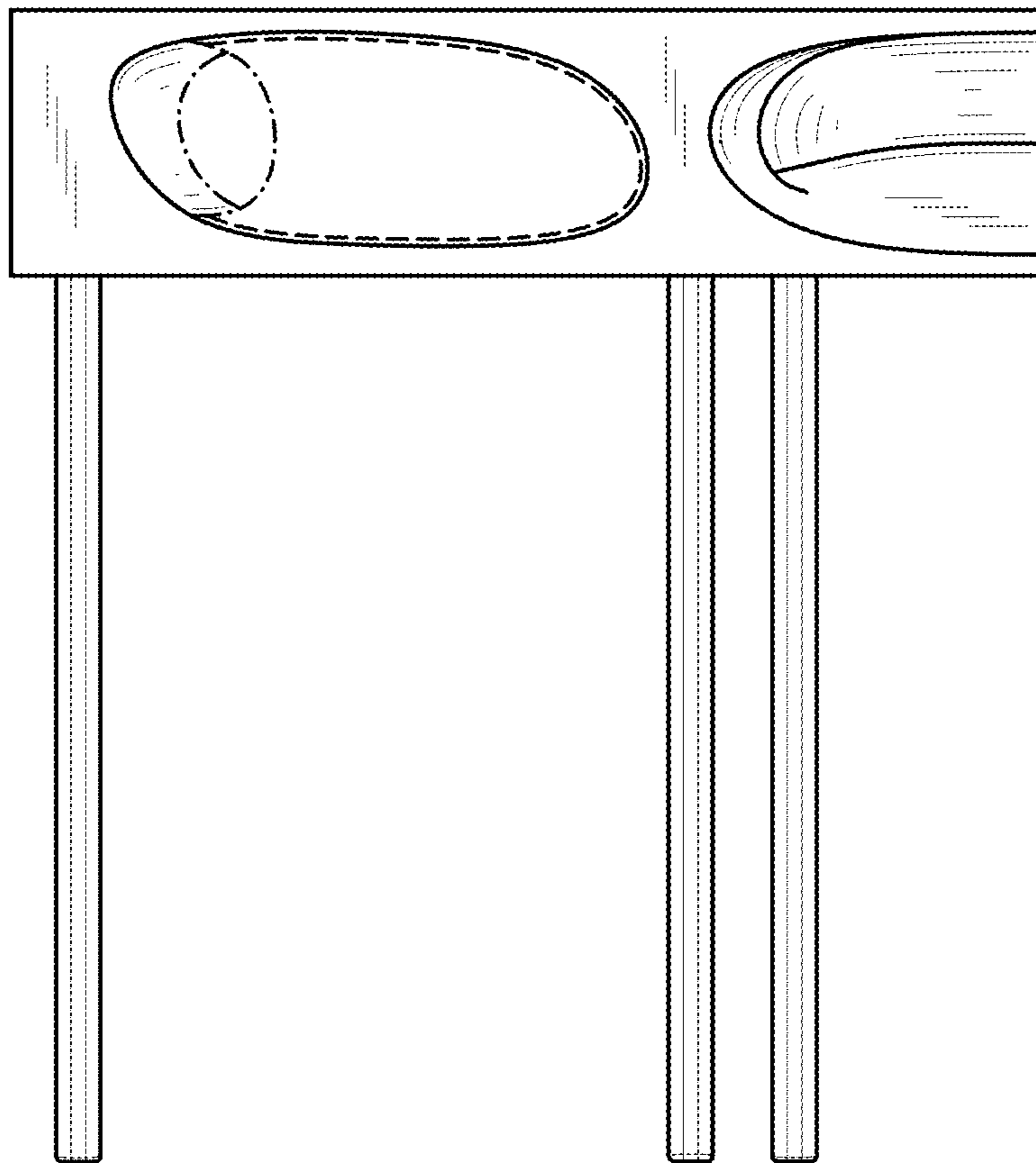


FIG. 6

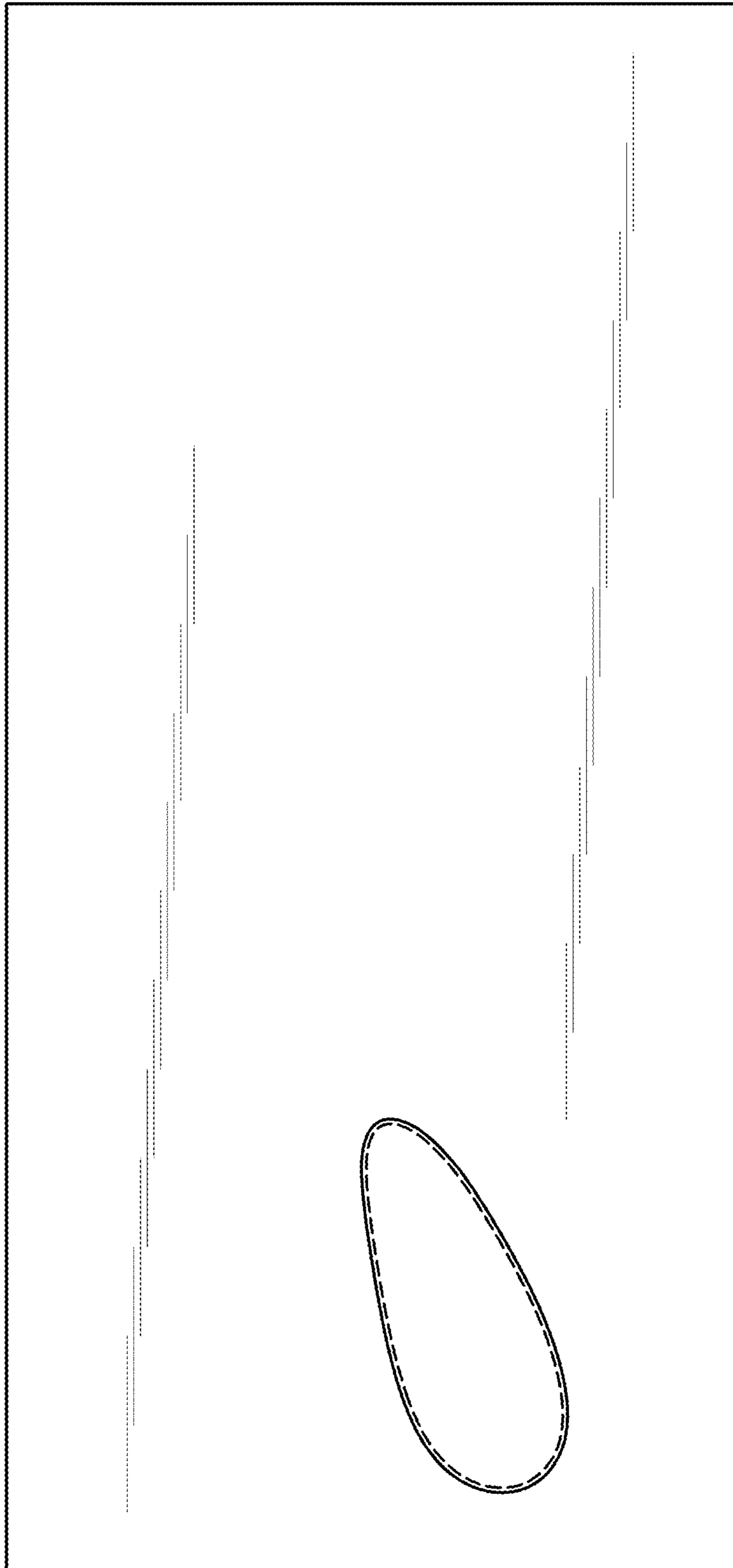


FIG. 7

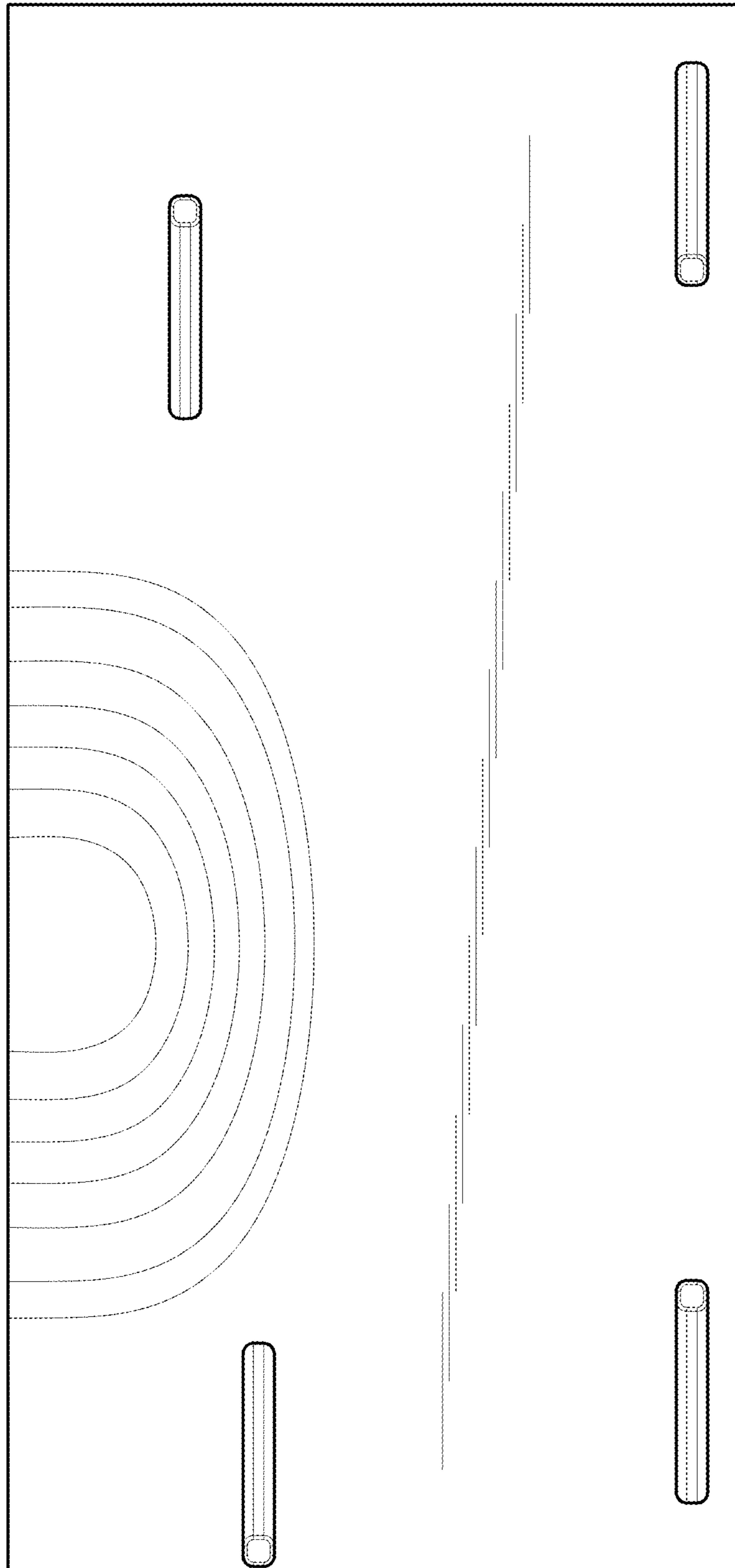


FIG. 8