



US00D797479S

(12) **United States Design Patent** (10) **Patent No.:** **US D797,479 S**
Manea (45) **Date of Patent:** **** *Sep. 19, 2017**

(54) **GLASS TOP TABLE**

(71) Applicant: **Mircea Manea**, South San Francisco, CA (US)

(72) Inventor: **Mircea Manea**, South San Francisco, CA (US)

(*) Notice: This patent is subject to a terminal disclaimer.

(**) Term: **15 Years**

(21) Appl. No.: **29/531,985**

(22) Filed: **Jun. 30, 2015**

(51) **LOC (10) Cl.** **06-03**

(52) **U.S. Cl.**
USPC **D6/691**

(58) **Field of Classification Search**
USPC D6/688.14, 662.1, 675, 691, 691.6, 692, D6/692.4, 707.17, 656.13; 108/150, 108/153.1, 155, 161
CPC A47B 2200/00; A47B 2013/006; A47B 13/06
See application file for complete search history.

(56) **References Cited**

U.S. PATENT DOCUMENTS

D259,602 S *	6/1981	Mioni	D6/689
D332,362 S *	1/1993	Lewis	D6/691
D466,337 S *	12/2002	Feng	D6/689
D469,634 S *	2/2003	Hirsch	D6/691
D479,063 S *	9/2003	Juneau	D6/691
D534,380 S *	1/2007	Guiller	D6/692

D566,997 S *	4/2008	Muller	D6/708
D578,320 S *	10/2008	Weatherly	D6/692
D581,706 S *	12/2008	Calatrava Valls	D6/708
D592,429 S *	5/2009	Lovegrove	D6/696.3
D604,063 S *	11/2009	Oshinomi	D6/656.16
D655,950 S *	3/2012	Kvello	D6/691.7
D662,730 S *	7/2012	Villiers	D6/692
D670,105 S *	11/2012	Jespersen	D6/691
D679,522 S *	4/2013	Hamill	D6/692
D738,650 S *	9/2015	Tonetti	D6/647
D753,419 S *	4/2016	Heirakuji	D6/675
2012/0199707 A1*	8/2012	Ortega	A47B 13/06 248/165

* cited by examiner

Primary Examiner — Rosemary K Tarcza

Assistant Examiner — James Thorn, Sr.

(74) *Attorney, Agent, or Firm* — Sheppard Mullin Richter & Hampton LLP

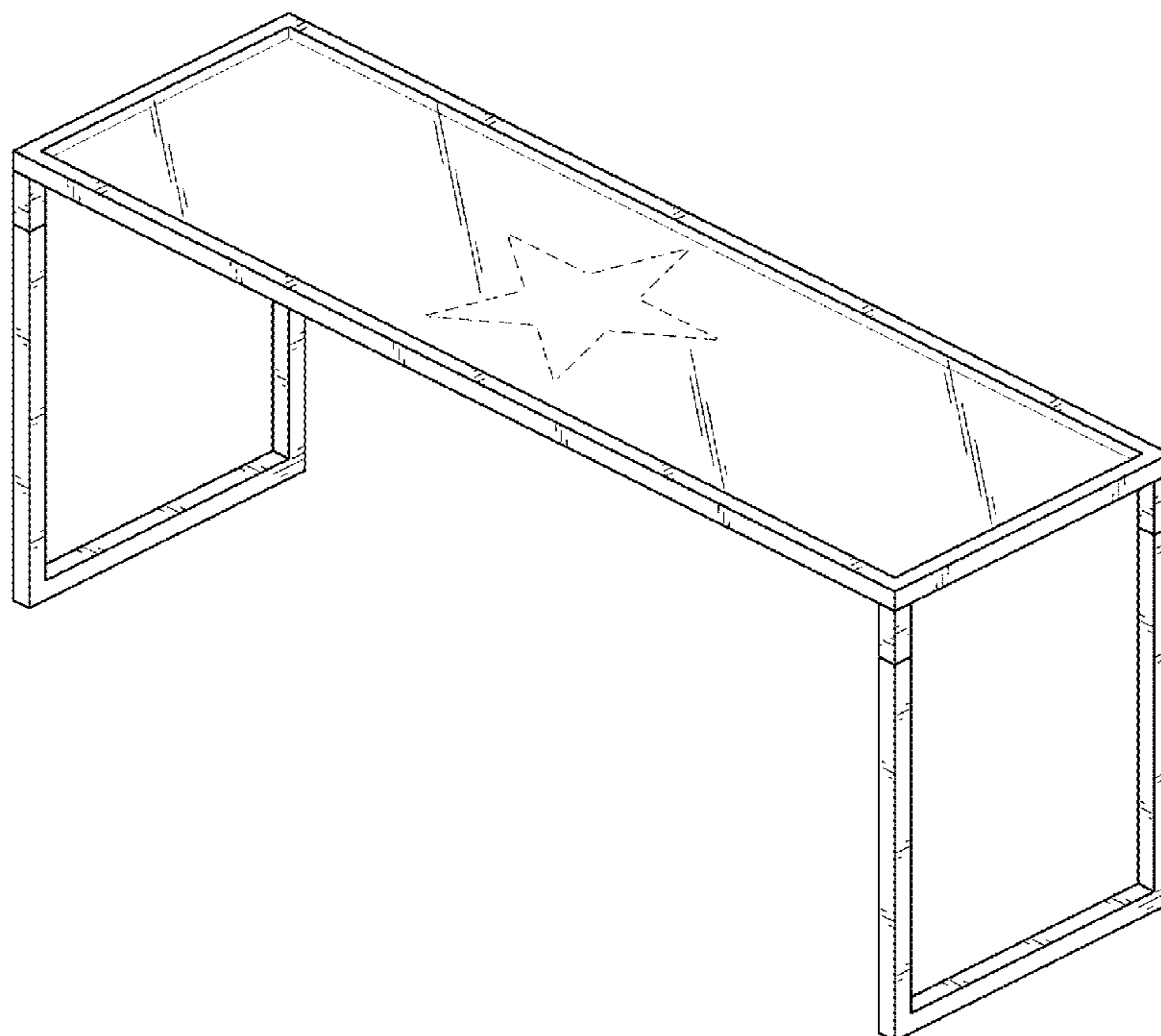
(57) **CLAIM**

The ornamental design for a glass top table, as shown and described.

DESCRIPTION

FIG. 1 is a perspective front view of a glass top table; FIG. 2 is a front elevation view thereof; the rear elevation view being a mirror image thereof; FIG. 3 is a left side elevation view thereof; the right side view elevation being a mirror image thereof; FIG. 4 is a top plan view thereof; and, FIG. 5 is a bottom plan view thereof. The broken lines shown in the drawings illustrate portions of the glass top table that form no part of the claimed design.

1 Claim, 3 Drawing Sheets



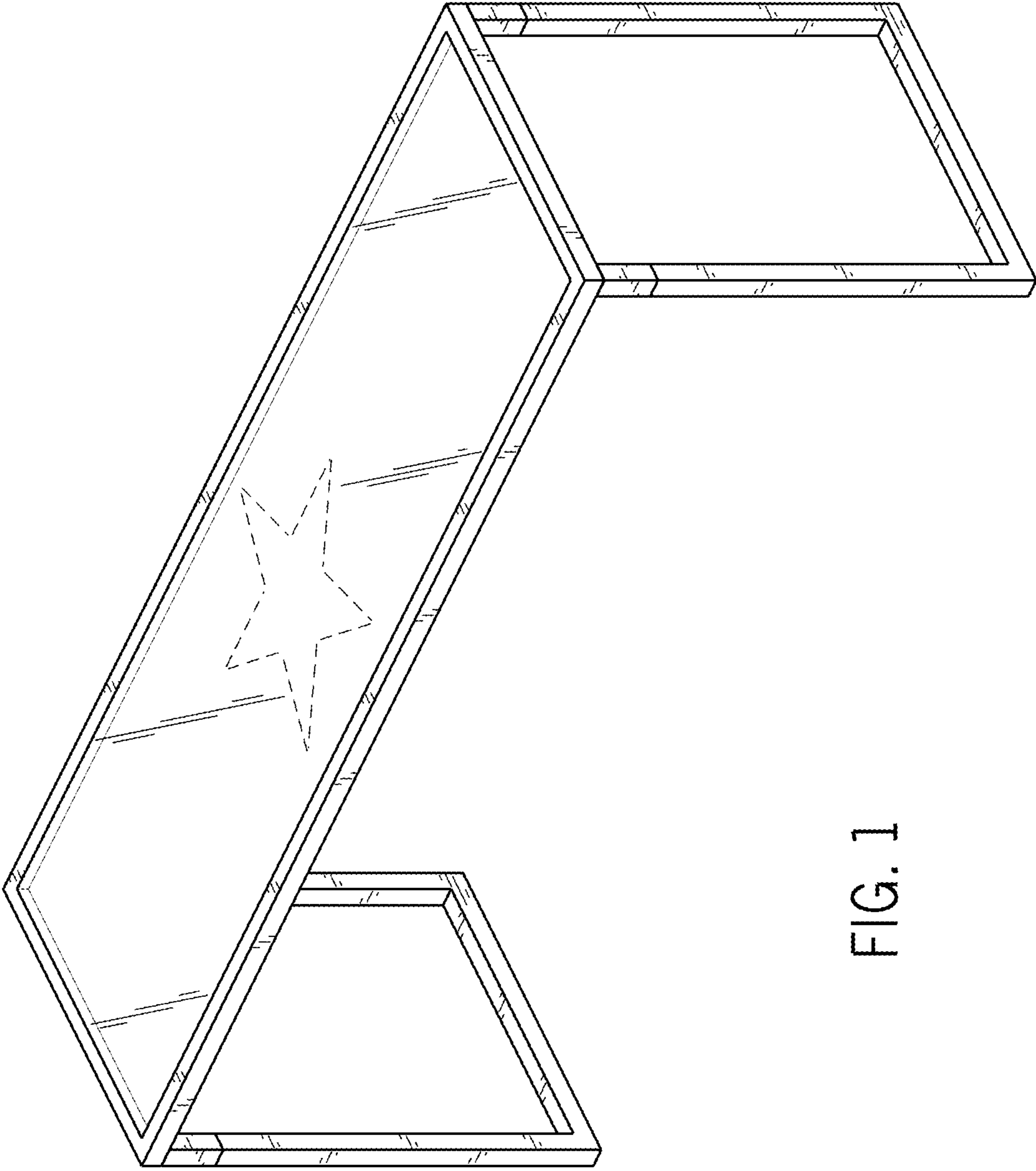


FIG. 1

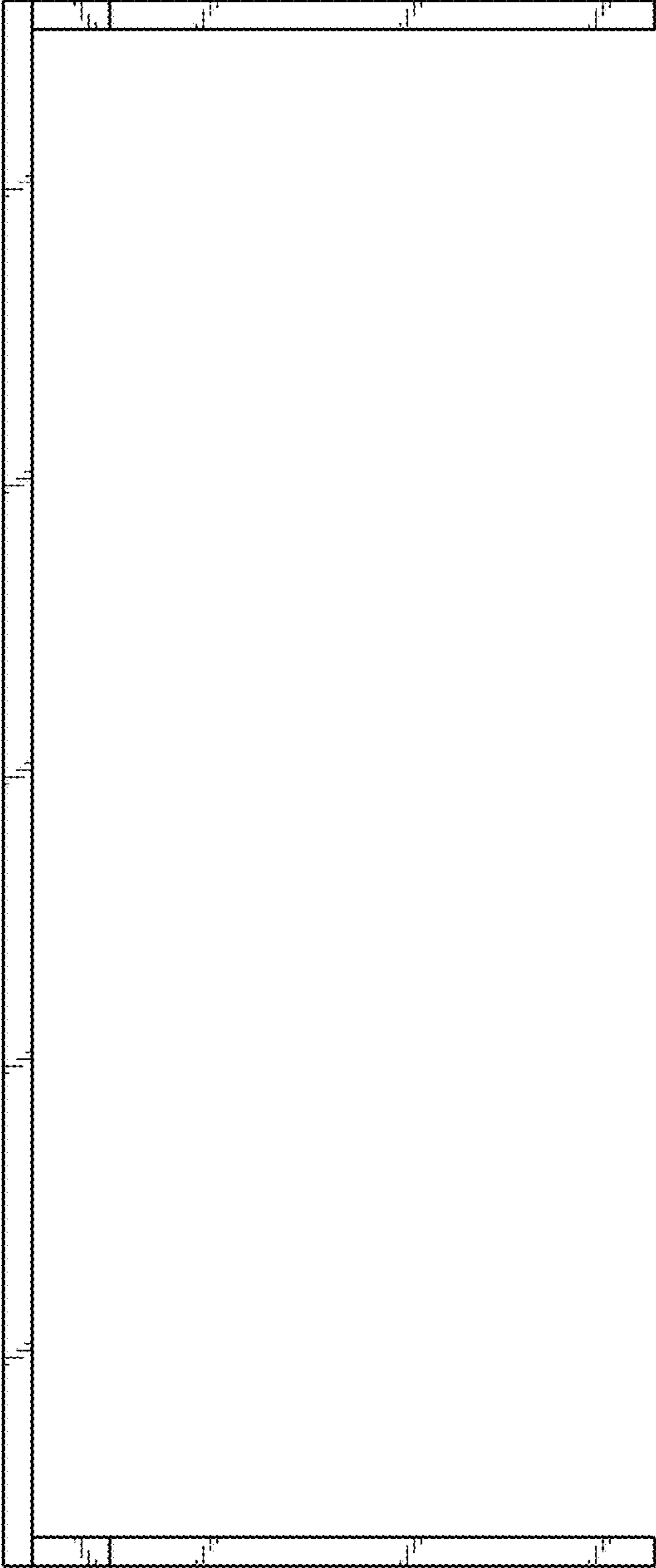


FIG. 2

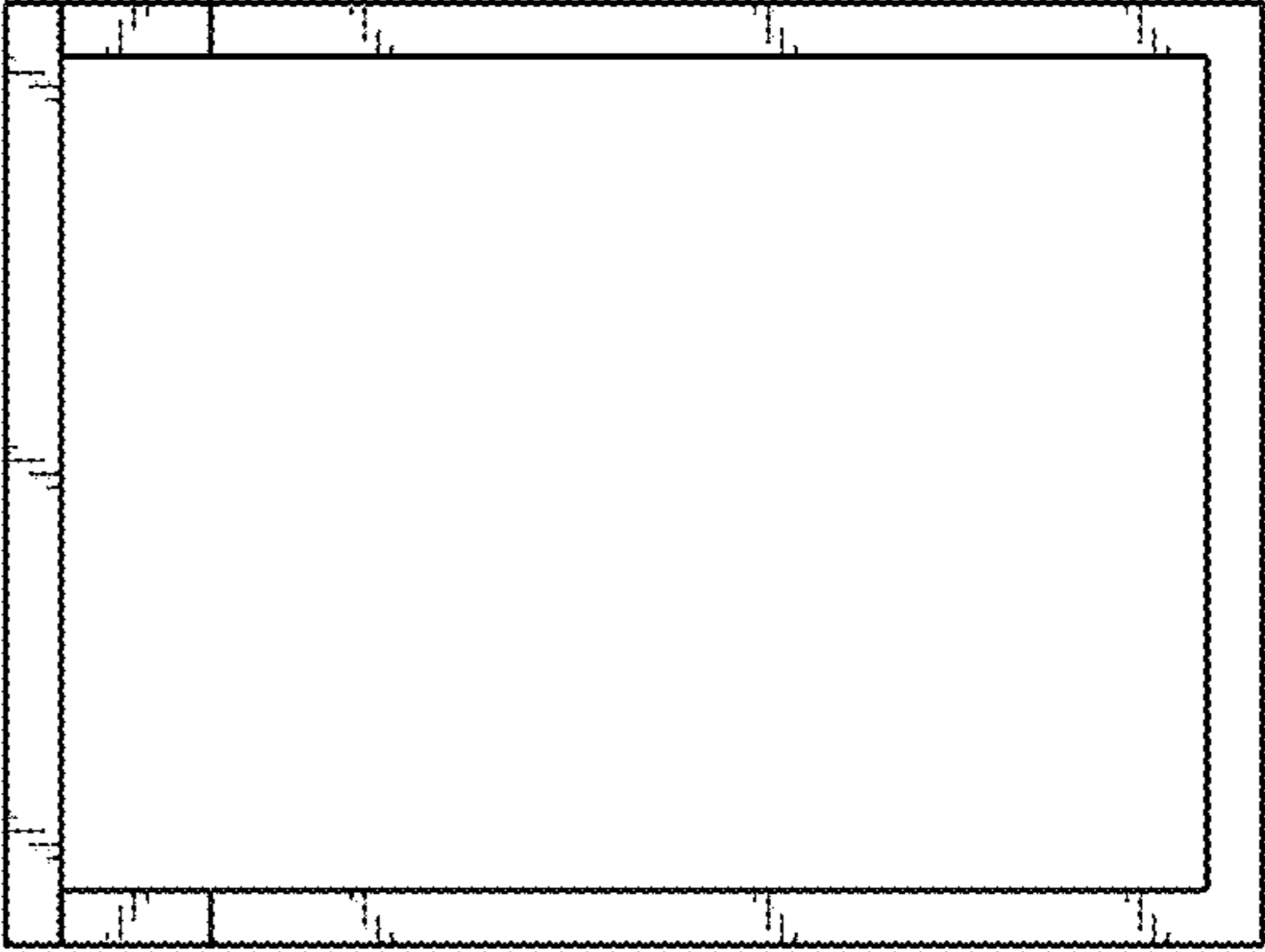


FIG. 3

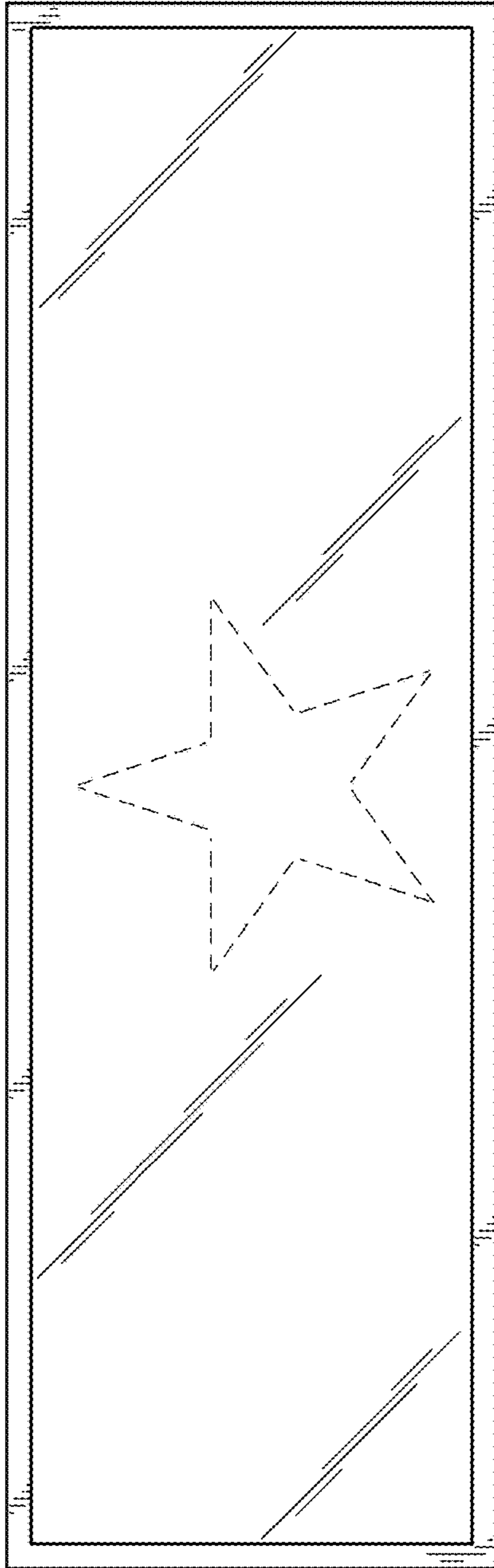


FIG. 4

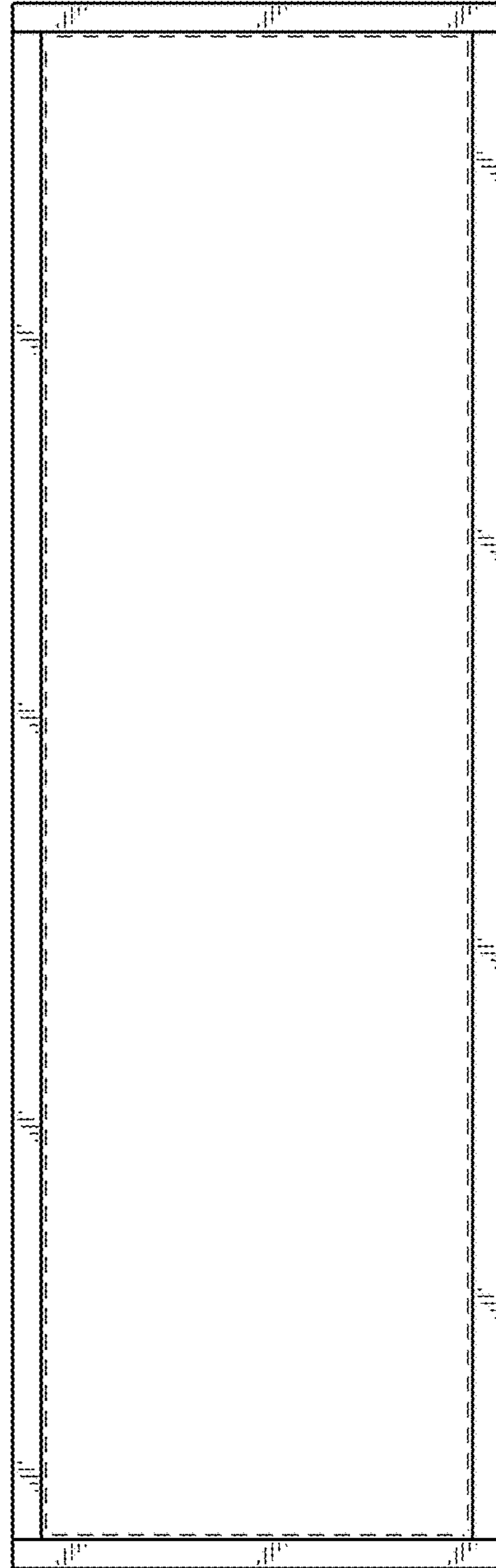


FIG. 5