



US00D797478S

(12) **United States Design Patent** (10) **Patent No.:** **US D797,478 S**
Merritt (45) **Date of Patent:** **** Sep. 19, 2017**

(54) **TABLE**

A47C 9/007; A47C 7/00; A47C 7/002;
A47C 7/004; A47C 7/006; A47C 7/18;
A47C 7/022; A47C

(71) Applicant: **Liberty Procurement Co. Inc.**, Union,
NJ (US)

(Continued)

(72) Inventor: **John Merritt**, Brooklyn, NY (US)

(56)

References Cited

(73) Assignee: **Liberty Procurement Co. Inc.**, Union,
NJ (US)

U.S. PATENT DOCUMENTS

(**) Term: **15 Years**

3,742,869 A 7/1973 Polsky et al.
3,869,993 A * 3/1975 Edlund A47B 3/06
108/101

(21) Appl. No.: **29/527,681**

(Continued)

(22) Filed: **May 21, 2015**

OTHER PUBLICATIONS

(51) **LOC (10) Cl.** **06-03**

“Mylon Table” Jan. 13, 2014, team7-spezialstudio.at, site visited
Jan. 5, 2017 <<http://www.team7-spezialstudio.at/en/diningroom/tables/mylon>>.*

(52) **U.S. Cl.**

(Continued)

USPC **D6/691**

(58) **Field of Classification Search**

USPC D6/334–336, 349, 351, 352, 358, 360,
D6/364, 365, 366, 374, 375, 379, 380,
D6/657, 662.1, 672, 674, 675, 675.1,
D6/675.3, 683, 683.1, 685, 691, 691.5,
D6/702, 708, 708.2, 708.21, 708.25, 716,
D6/716.1–716.4; D3/304, 307, 309;
D7/550.1, 554.3

Primary Examiner — Kevin Rudzinski

Assistant Examiner — Paul Bohannon

(74) *Attorney, Agent, or Firm* — Lerner, David,
Littenberg, Krumholz & Mentlik, LLP

CPC B65D 5/545; B65D 5/26; B65D 5/0015;
B65D 5/0045; B65D 1/34; B65D 21/00;
B65D 81/3813; A47B 7/00; A47B
2200/001; A47B 2200/002; A47B
2200/0011–2200/0014; A47B
2200/0021–2200/0023; A47B 2200/0026;
A47B 2200/0027; A47B 2200/0039;
A47B 13/02; A47B 13/06; A47B 13/12;
A47B 13/021–13/028; A47B 2009/006;
A47B 57/402; A47B 67/00; A47B
87/0207; A47B 43/00; A47B 63/00; A47B
96/00; A47B 96/02; A47B 87/002; A47B
85/06; A47B 3/02; A47B 21/06; A47B
1/08; A47B 1/046; A47F 1/00; A47F
3/00; A47F 3/06; A47F 3/14; A47F 7/00;
A47D 7/00; A47D 1/006; A47C 9/002;

(57)

CLAIM

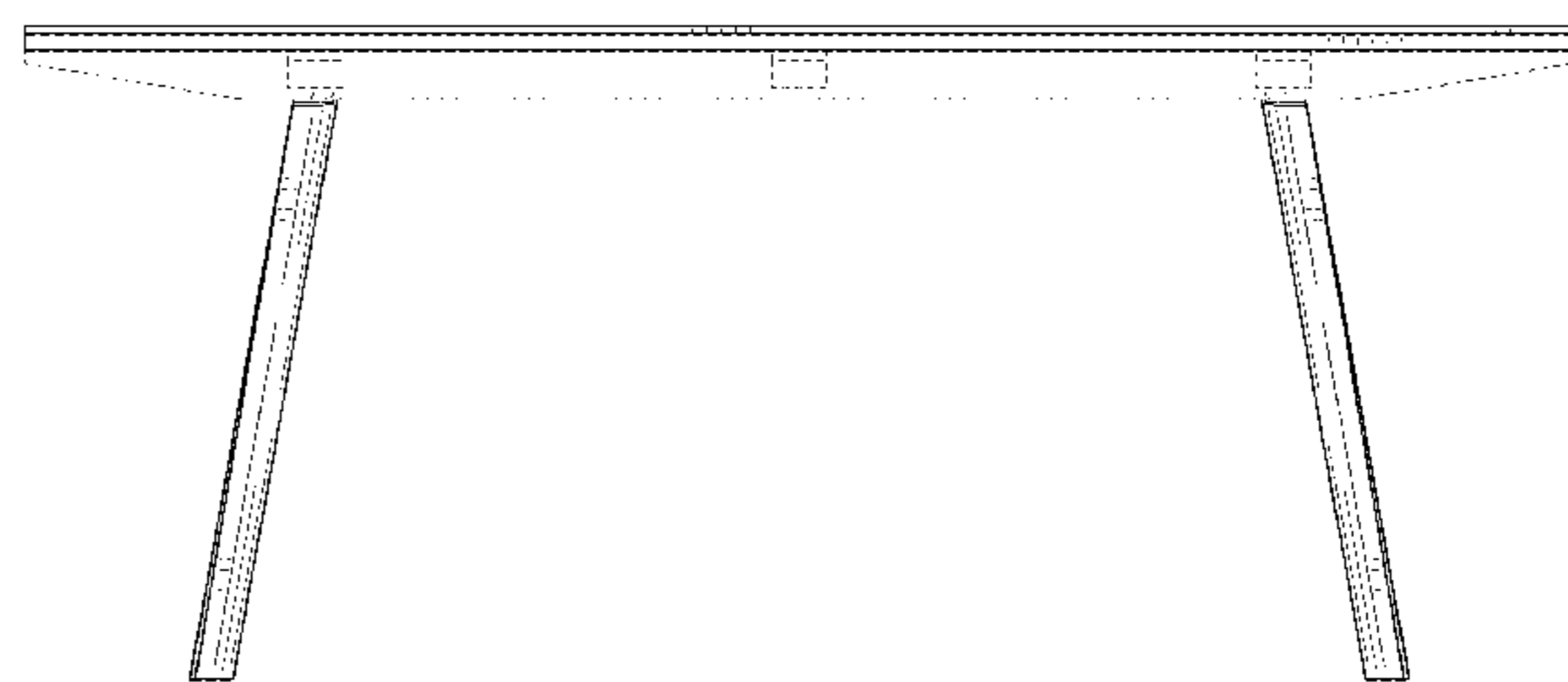
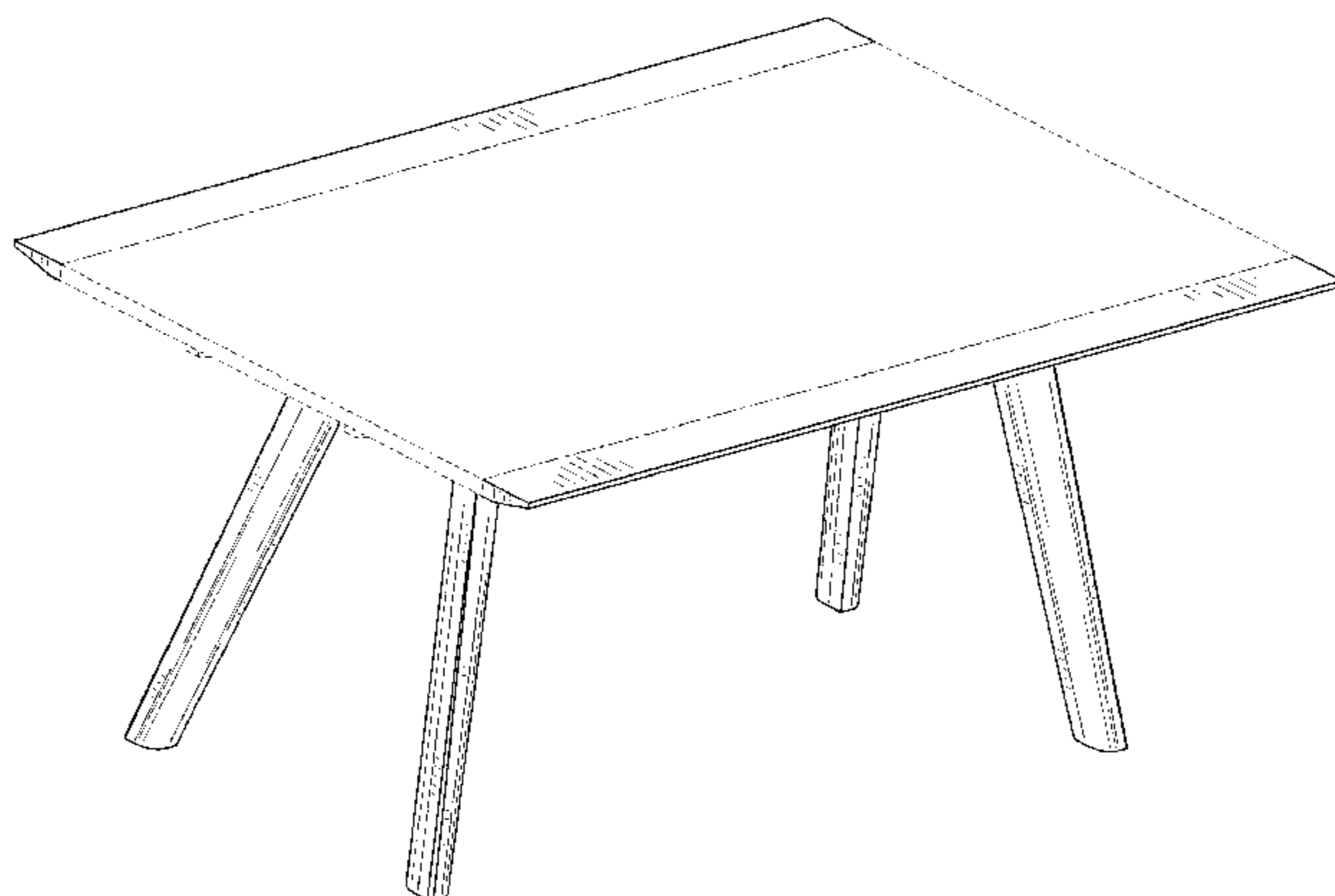
The ornamental design for a table, as shown and described.

DESCRIPTION

FIG. 1 is a perspective view of the design of my table;
FIG. 2 is a right-side elevation view thereof;
FIG. 3 is a left-side elevation view thereof;
FIG. 4 is a front elevation view thereof;
FIG. 5 is a back elevation view thereof;
FIG. 6 is a top plan view thereof; and,
FIG. 7 is a bottom plan view thereof.

The broken lines represent portions of the table that form no
part of the claimed design. The dot-dash broken lines define

(Continued)



the bounds of the claimed design and form no part thereof. The claimed design extends to but does not include the boundary line.

1 Claim, 6 Drawing Sheets

(58) Field of Classification Search

CPC ... 7/24; A47C 7/50; A47C 4/02; A47C 4/028;
A47C 4/54; A47C 3/00; A47C 3/18;
A47C 3/026; A47C 1/04; A47C 1/03255;
A47C 1/0255

See application file for complete search history.

(56) References Cited

U.S. PATENT DOCUMENTS

4,705,250	A	11/1987	Eastman	
4,841,878	A	6/1989	Kriegsman	
5,356,204	A *	10/1994	McDonough A47D 1/006 297/181
5,435,254	A *	7/1995	Amey A47B 13/003 108/64
D362,983	S	10/1995	Magnusson	
5,513,578	A	5/1996	Tordsen	
5,678,491	A *	10/1997	Price A47B 3/0912 108/115
6,536,357	B1 *	3/2003	Hiestand A47B 9/04 108/144.11

7,147,083	B1 *	12/2006	Colgrove B25H 1/06 182/153
D585,218	S	1/2009	Hamilton et al.	
D718,558	S	12/2014	Chipman	
9,215,923	B1 *	12/2015	Boone A47B 3/06
9,504,317	B1	11/2016	White et al.	
9,526,328	B2 *	12/2016	Illulian A47B 3/083
2004/0006944	A1 *	1/2004	Miyamoto E04F 19/061 52/506.01
2005/0060891	A1 *	3/2005	Anderson B26B 3/08 30/170
2006/0096506	A1 *	5/2006	Brauning A47B 13/02 108/50.02
2006/0162626	A1	7/2006	Brauning et al.	
2013/0216770	A1 *	8/2013	Gilbertson B29B 11/16 428/121
2013/0344303	A1	12/2013	Randall et al.	
2015/0150370	A1	6/2015	Korb et al.	
2016/0192771	A1 *	7/2016	Hoff A47B 3/06 248/165

OTHER PUBLICATIONS

“Reverse Beveled Row Edge Boat Shape Conference Table” Feb. 25, 2013, Giovanni Furniture, site visited Jan. 10, 2017 < <http://www.giovanrifurniture.com/conference-tables.html> >.*

“Mid-Century Modern Table Making Made Easy” May 2, 2013, tablelegs.com, site visited Jan. 24, 2017 < <https://www.tablelegs.com/resources-how-tos/mid-century-modern-table-making-made-easy/> >.*

* cited by examiner

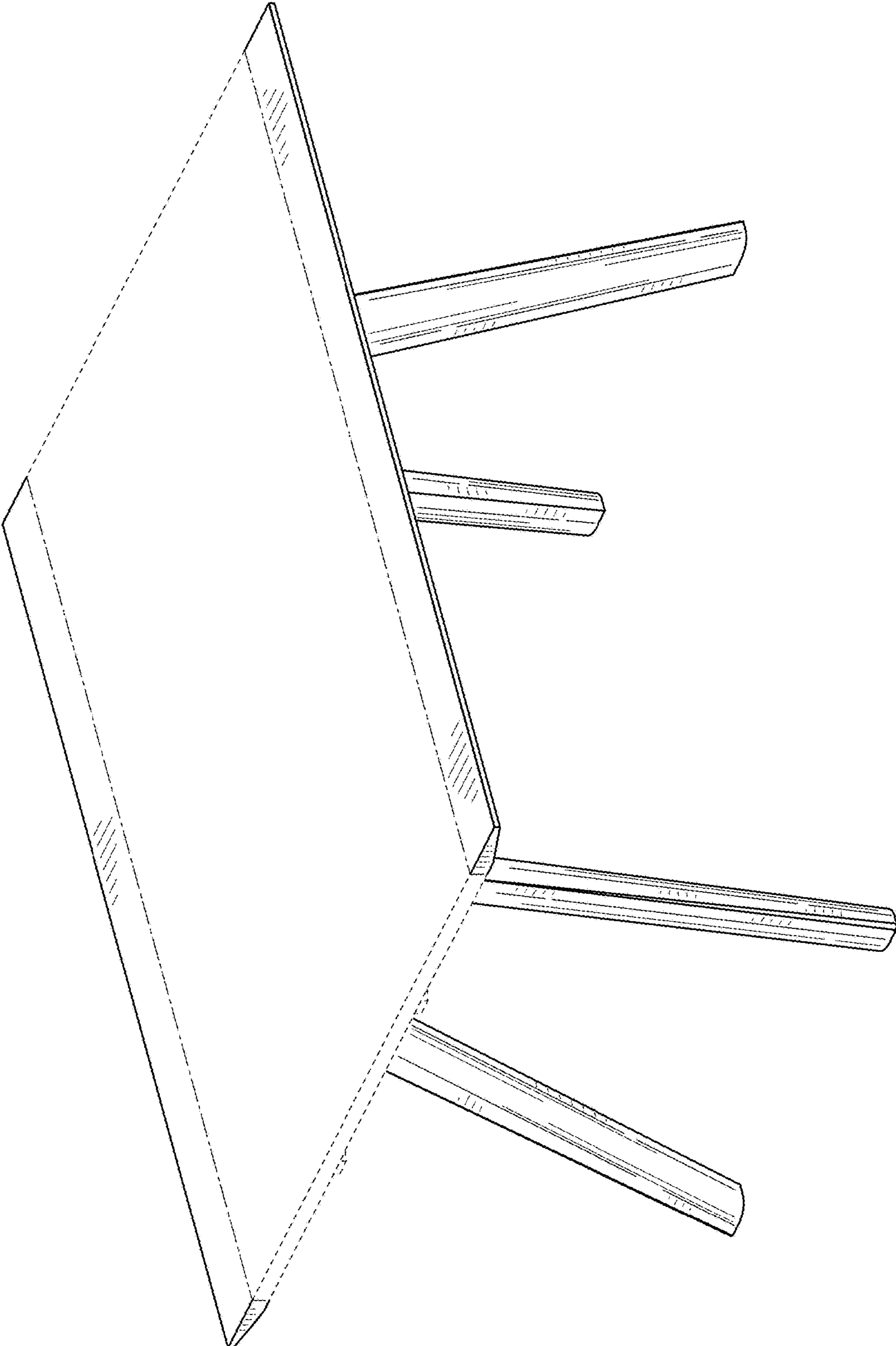


FIG. 1

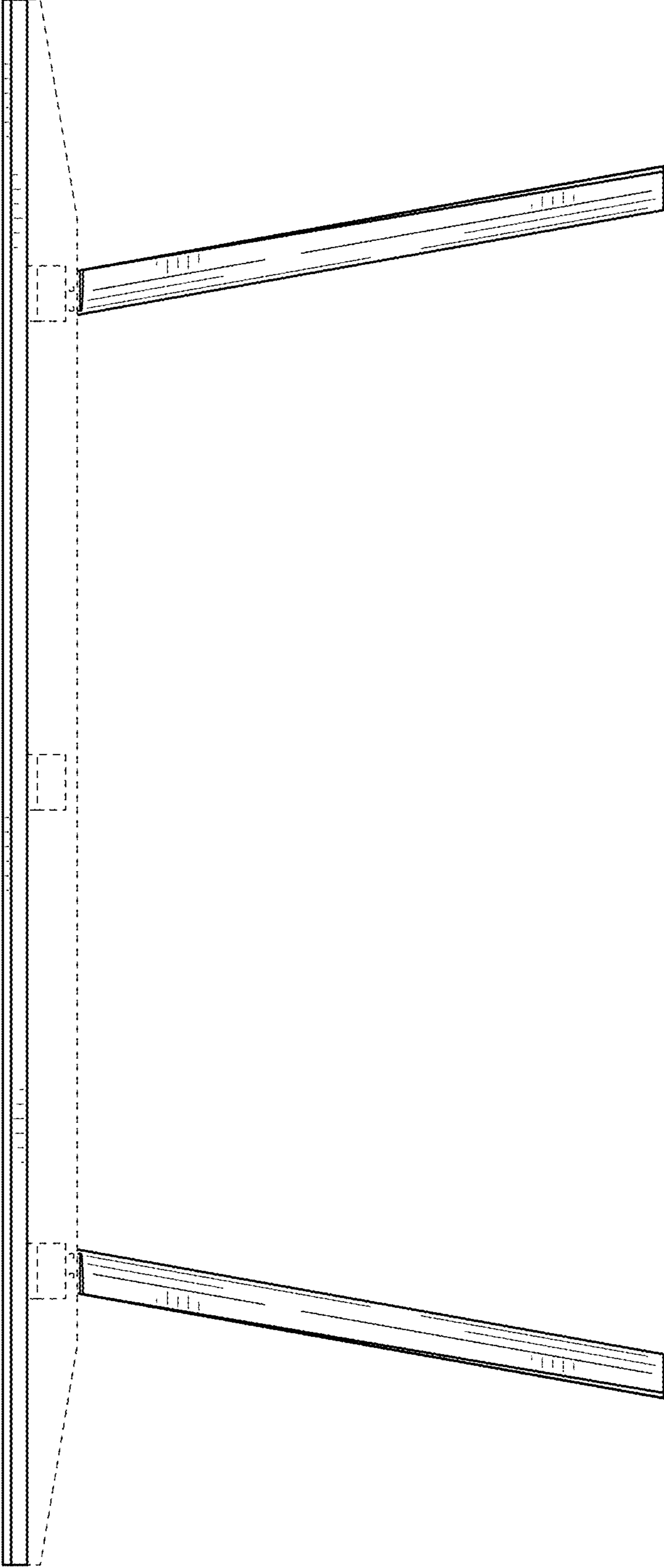


FIG. 2

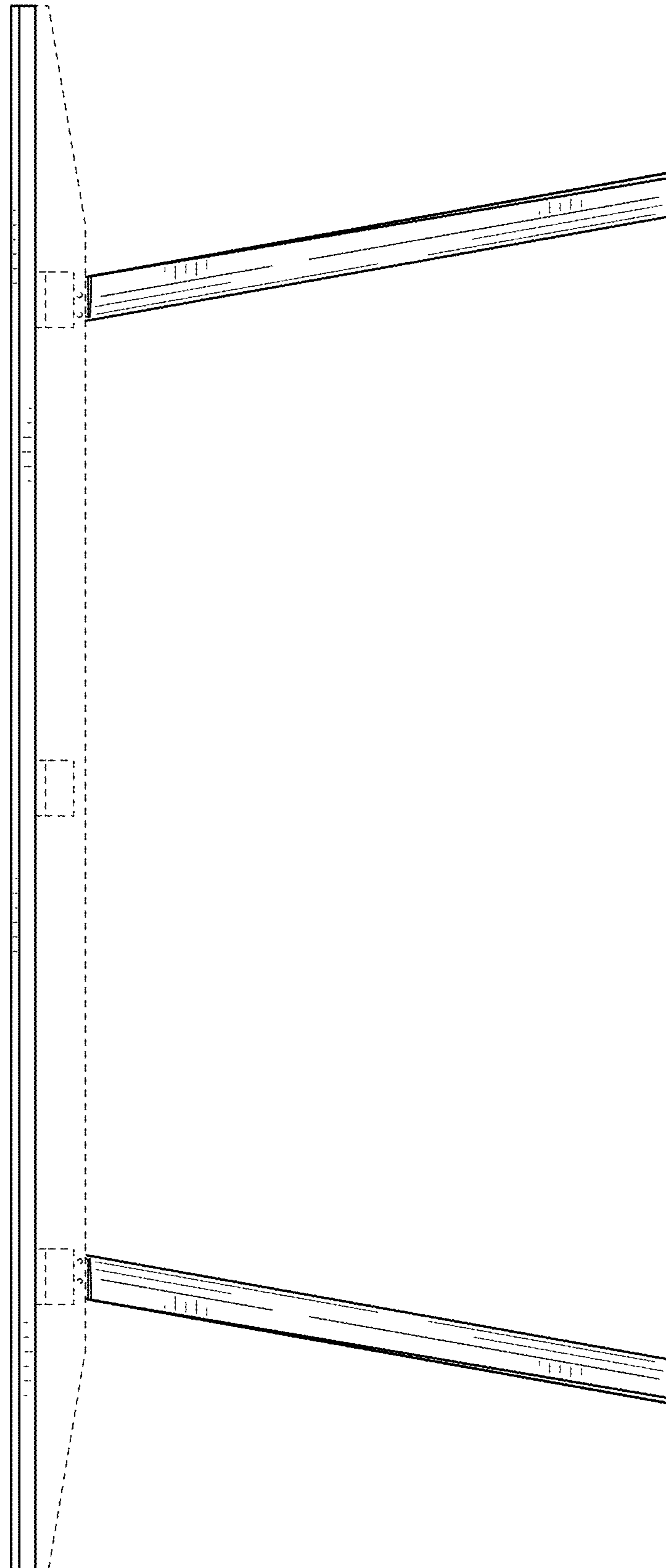


FIG. 3

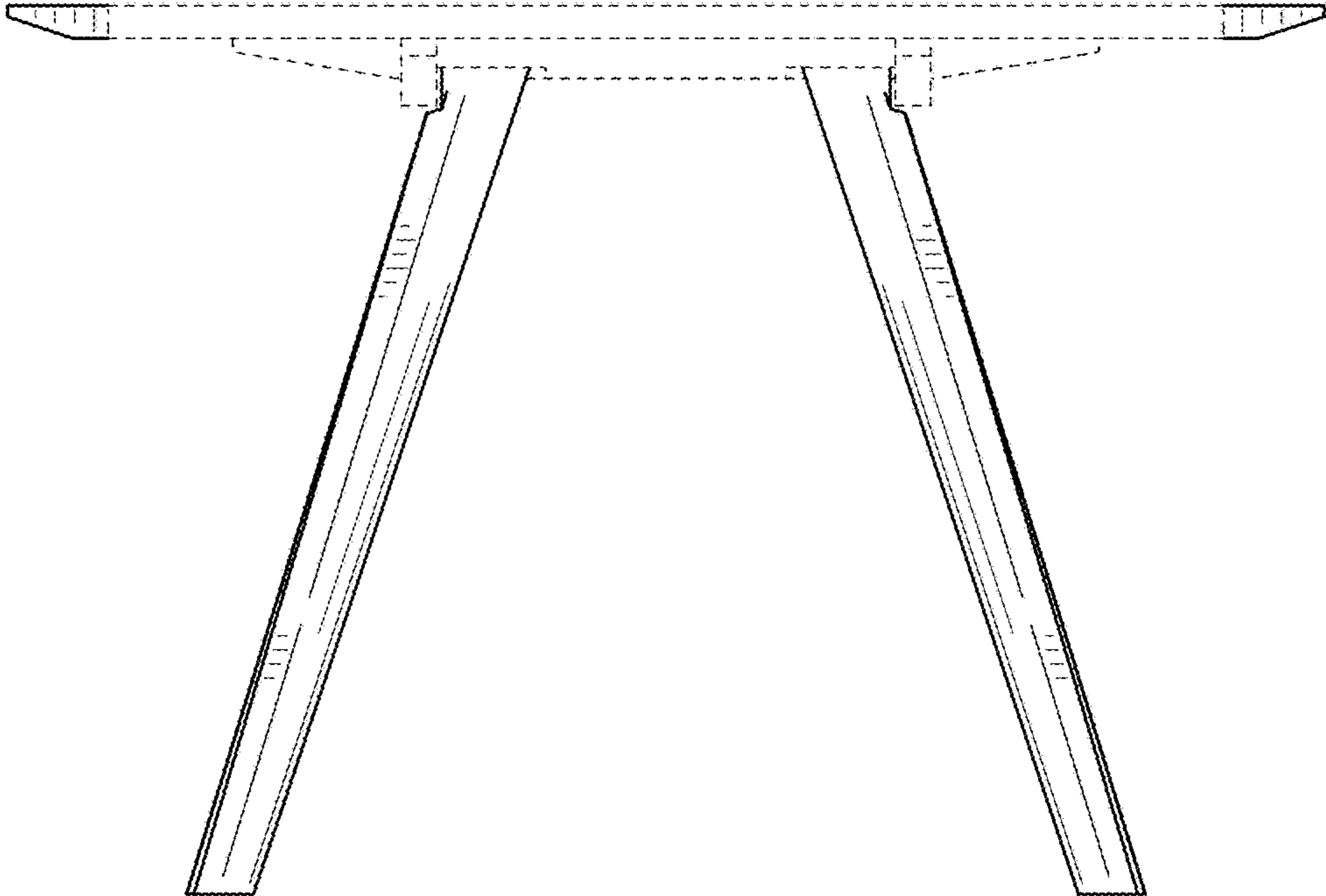


FIG. 4

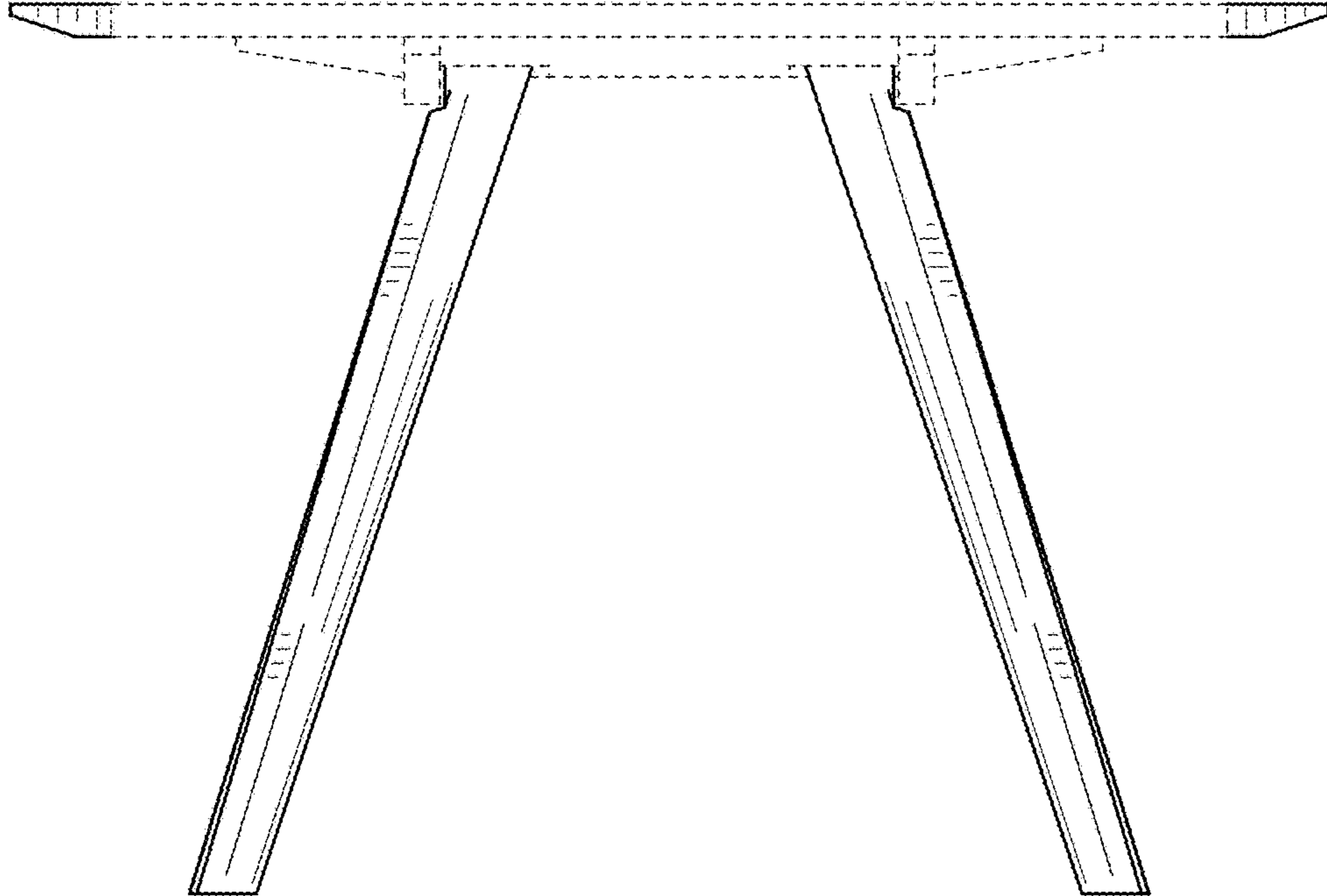


FIG. 5

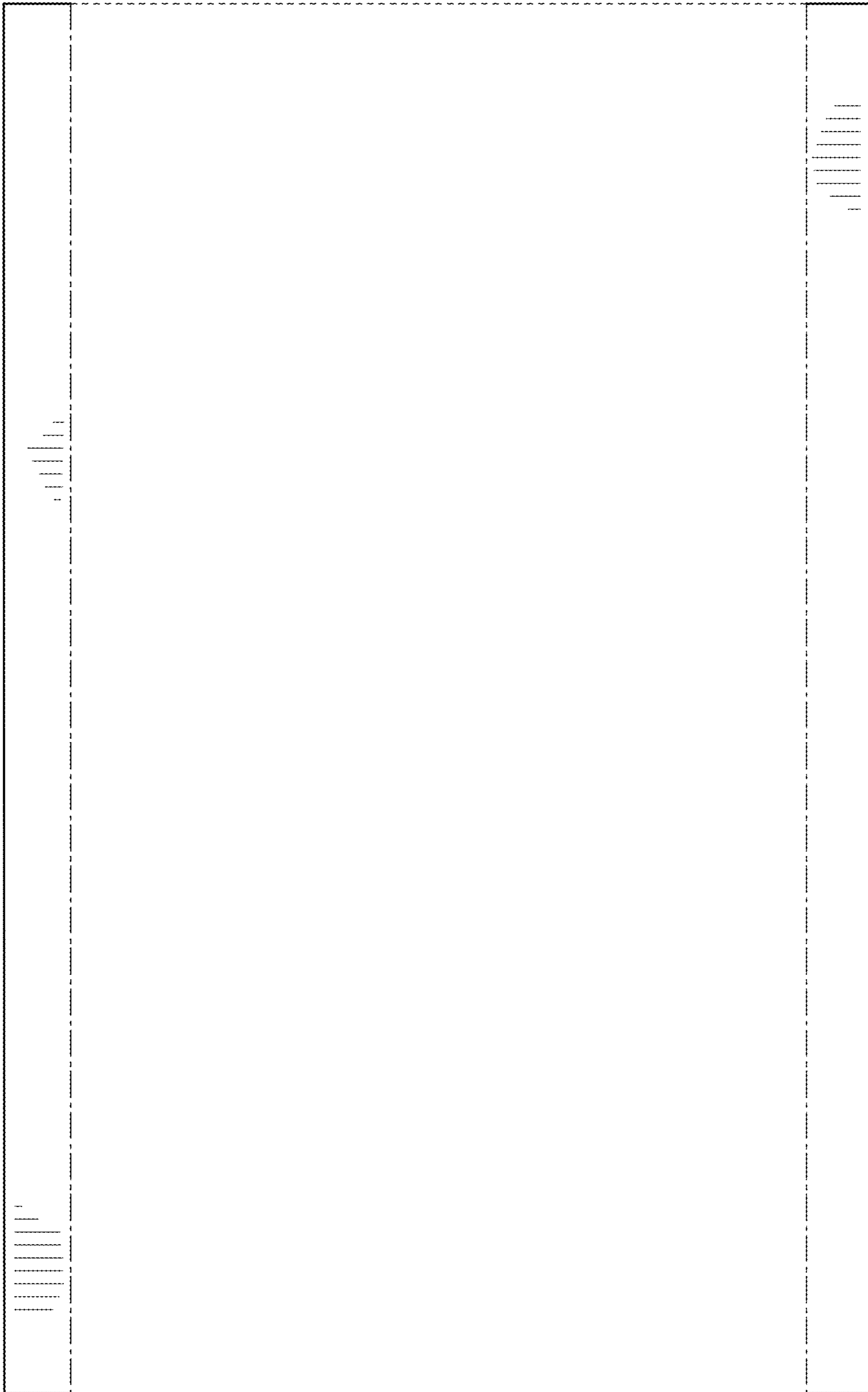


FIG. 6

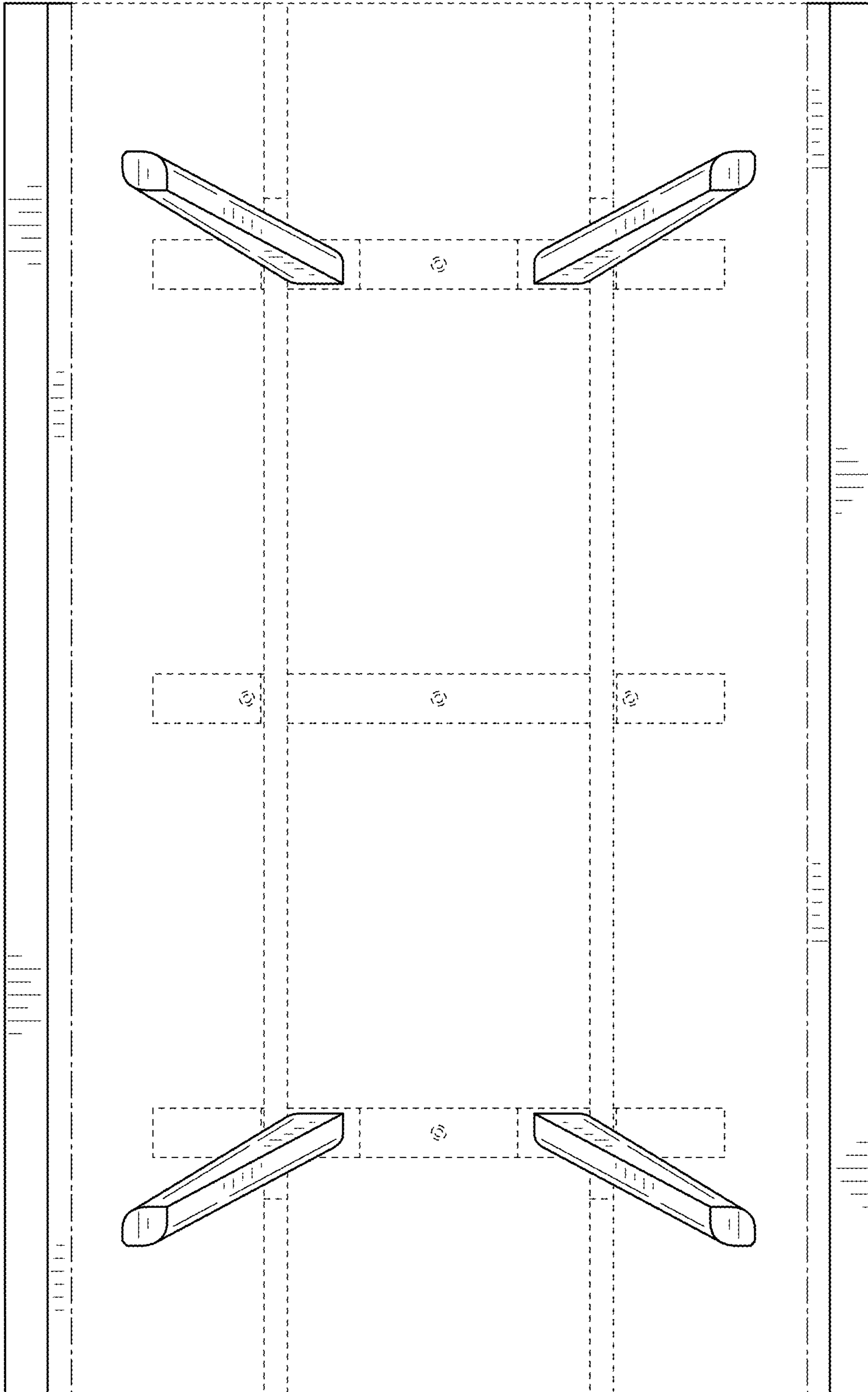


FIG. 7