

US00D797477S

(12) **United States Design Patent** (10) **Patent No.:** **US D797,477 S**  
**Horsky et al.** (45) **Date of Patent:** **\*\* Sep. 19, 2017**

(54) **DISPLAY UNIT**

(71) Applicant: **Cadbury UK Limited**, Birmingham (GB)

(72) Inventors: **Gil Horsky**, Glattpark (CH); **Alan Flude**, Glattpark (CH); **Filipa Guerra**, Glattpark (CH); **Julian Sellers**, Birmingham (GB); **Amy Wetton**, Birmingham (GB); **Robert Monaghan**, London (GB); **Gert DeSmedt**, Berkshire (GB); **David Ames**, Berkshire (GB)

(73) Assignee: **CADBURY UK LIMITED**, Birmingham (GB)

(\*\*) Term: **15 Years**

(21) Appl. No.: **29/582,076**

(22) Filed: **Oct. 25, 2016**

**Related U.S. Application Data**

(62) Division of application No. 29/517,410, filed on Feb. 12, 2015, now Pat. No. Des. 781,622.

(30) **Foreign Application Priority Data**

Aug. 14, 2014 (EM) ..... 002520080-0001  
Aug. 14, 2014 (EM) ..... 002520080-0002  
Aug. 14, 2014 (EM) ..... 002520080-0003

(51) **LOC (10) Cl.** ..... **06-06**

(52) **U.S. Cl.**  
USPC ..... **D6/675.4**

(58) **Field of Classification Search**  
USPC ..... D6/672, 675, 675.1, 675.4, 678, 678.1, D6/678.2

(Continued)

(56) **References Cited**

**U.S. PATENT DOCUMENTS**

1,937,935 A 12/1933 Zimmerman  
3,885,668 A \* 5/1975 McClain ..... B07C 7/02  
206/459.5

(Continued)

**OTHER PUBLICATIONS**

US Notice of Allowance and Fees Due for U.S. Appl. No. 29/517,410, filed Feb. 12, 2015; Notification Date: Nov. 10, 2016.

(Continued)

*Primary Examiner* — Kelley Donnelly

(74) *Attorney, Agent, or Firm* — Cantor Colburn LLP

(57) **CLAIM**

The ornamental design for a display unit, as shown and described.

**DESCRIPTION**

FIG. 1 is a perspective view of a display unit, showing our new design in another exemplary embodiment;  
FIG. 2 is a front view of the embodiment shown in FIG. 1;  
FIG. 3 is a rear view of the embodiment shown in FIG. 1;  
FIG. 4 is a side view of the embodiment shown in FIG. 1;  
FIG. 5 is another side view of the embodiment shown in FIG. 1;  
FIG. 6 is a top view of the embodiment shown in FIG. 1;  
FIG. 7 is a bottom view of the embodiment shown in FIG. 1;  
FIG. 8 is a perspective view of a display unit, showing our new design in another exemplary embodiment;  
FIG. 9 is a front view of the embodiment shown in FIG. 8;  
FIG. 10 is a rear view of the embodiment shown in FIG. 8;  
FIG. 11 is a side view of the embodiment shown in FIG. 8;

(Continued)

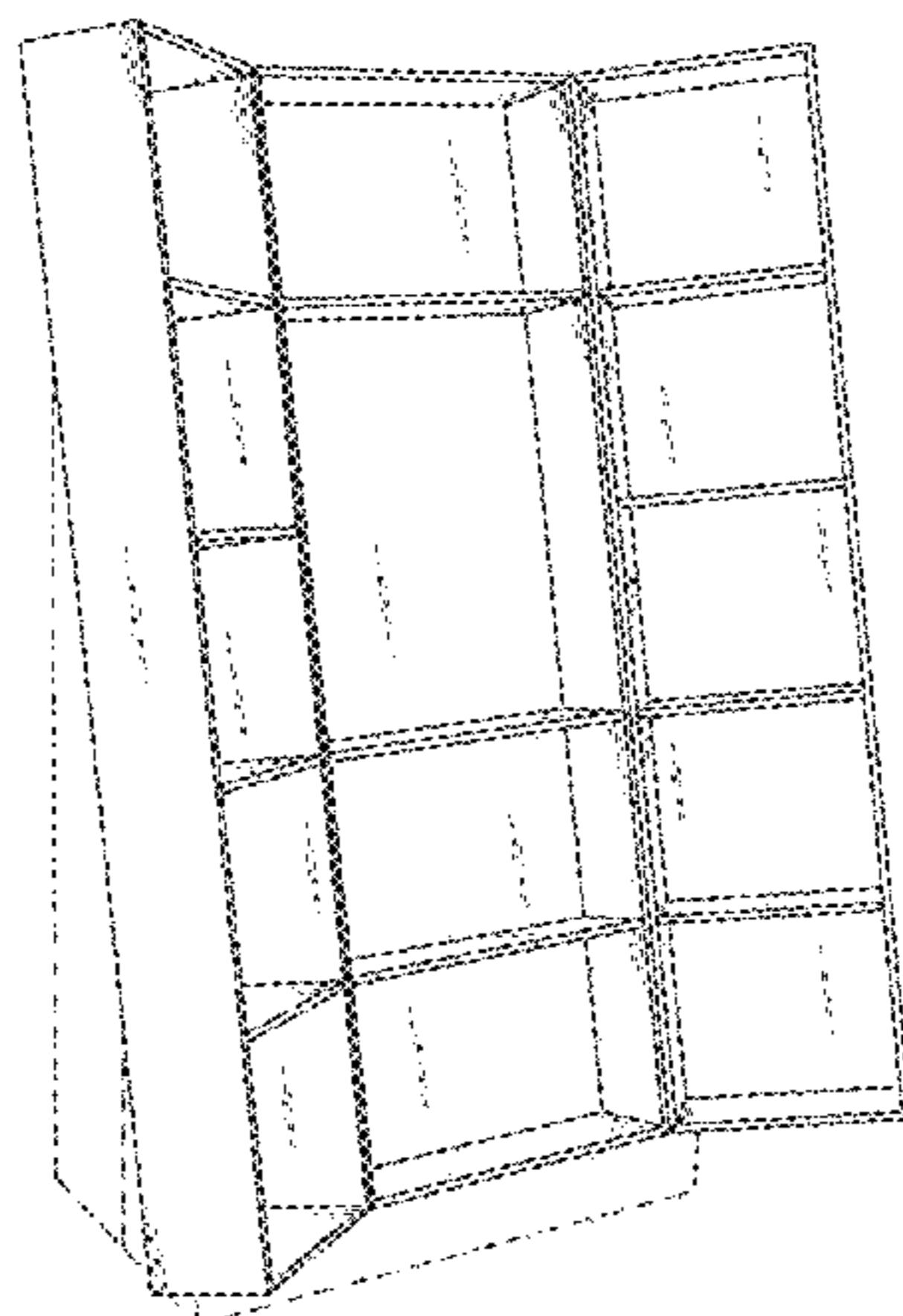


FIG. 12 is another side view of the embodiment shown in FIG. 8;  
FIG. 13 is a top view of the embodiment shown in FIG. 8;  
and,  
FIG. 14 is a bottom view of the embodiment shown in FIG. 8.  
The broken lines are for environmental purpose only and form no part of the claimed design.

**1 Claim, 14 Drawing Sheets**

**(58) Field of Classification Search**

CPC ..... A47B 63/00; A47B 96/02; A47B 43/00;  
A47B 49/00

See application file for complete search history.

**(56) References Cited**

**U.S. PATENT DOCUMENTS**

D239,902 S \* 5/1976 Geisler ..... D6/672  
D247,696 S 4/1978 Eisen

D286,115 S \* 10/1986 Evans ..... D6/675.1  
5,083,844 A \* 1/1992 Gruenberg ..... A47B 47/03  
312/140  
D364,055 S \* 11/1995 Pakla ..... D6/675.1  
5,855,175 A 1/1999 Forbes  
D450,488 S 11/2001 Stone et al.  
D458,054 S \* 6/2002 Lin ..... D6/678.1  
D483,205 S \* 12/2003 Cunningham ..... D6/683.1  
D541,557 S 5/2007 Weatherly et al.  
7,337,729 B2 \* 3/2008 Briosi ..... A47B 47/021  
108/107  
D586,153 S 2/2009 Maly  
D588,838 S \* 3/2009 Helle ..... D6/678.1  
D658,405 S 5/2012 O'Brien  
D691,838 S 10/2013 Hinkle  
D722,459 S 2/2015 Schluetter  
D734,068 S 7/2015 Dworman  
D744,773 S 12/2015 Yoon  
D781,622 S \* 3/2017 Horsky ..... D6/675.4

**OTHER PUBLICATIONS**

US Restriction Requirement for U.S. Appl. No. 29/517,410, filed Feb. 12, 2015; Notification Date: Aug. 23, 2016.

\* cited by examiner

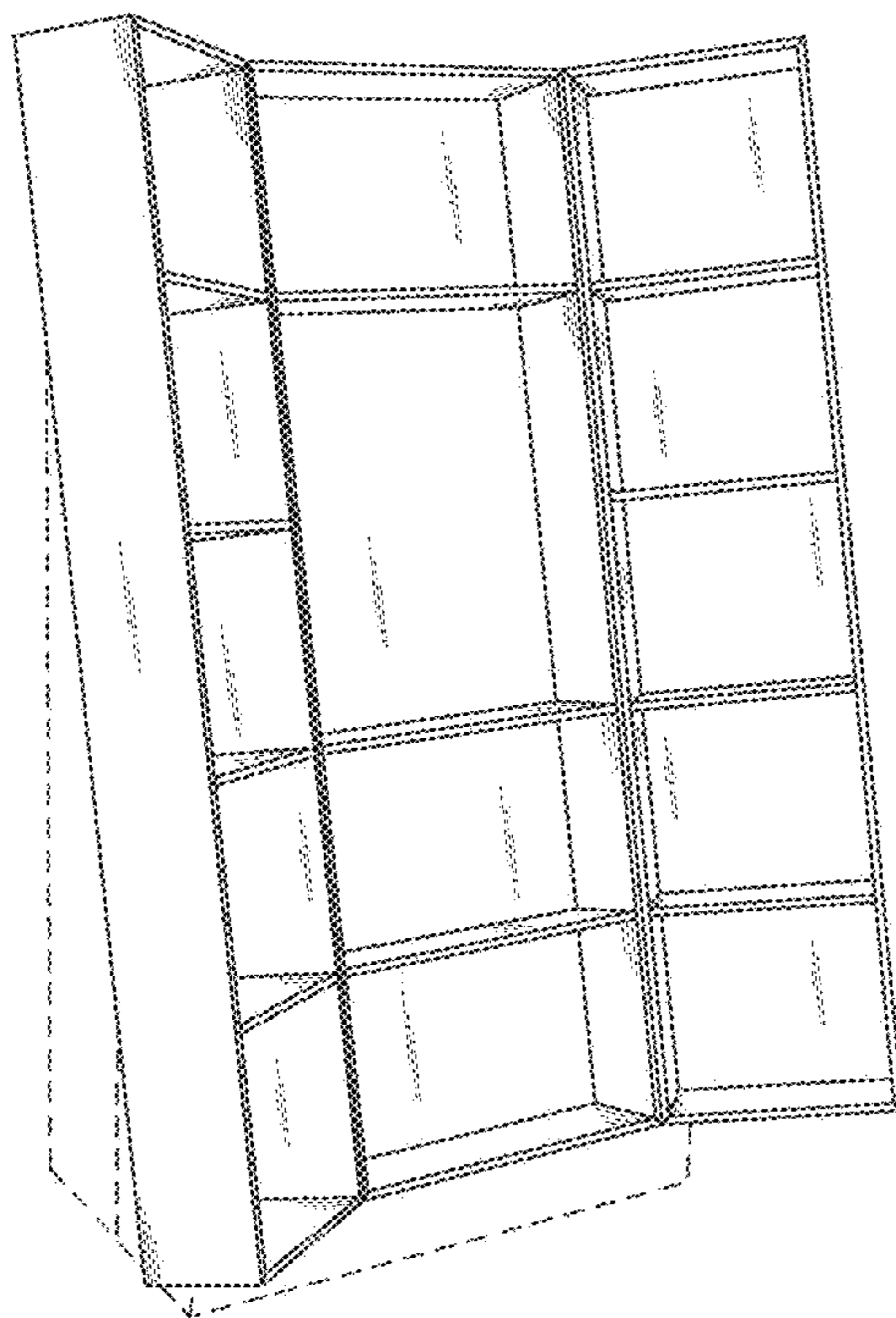


Figure 1

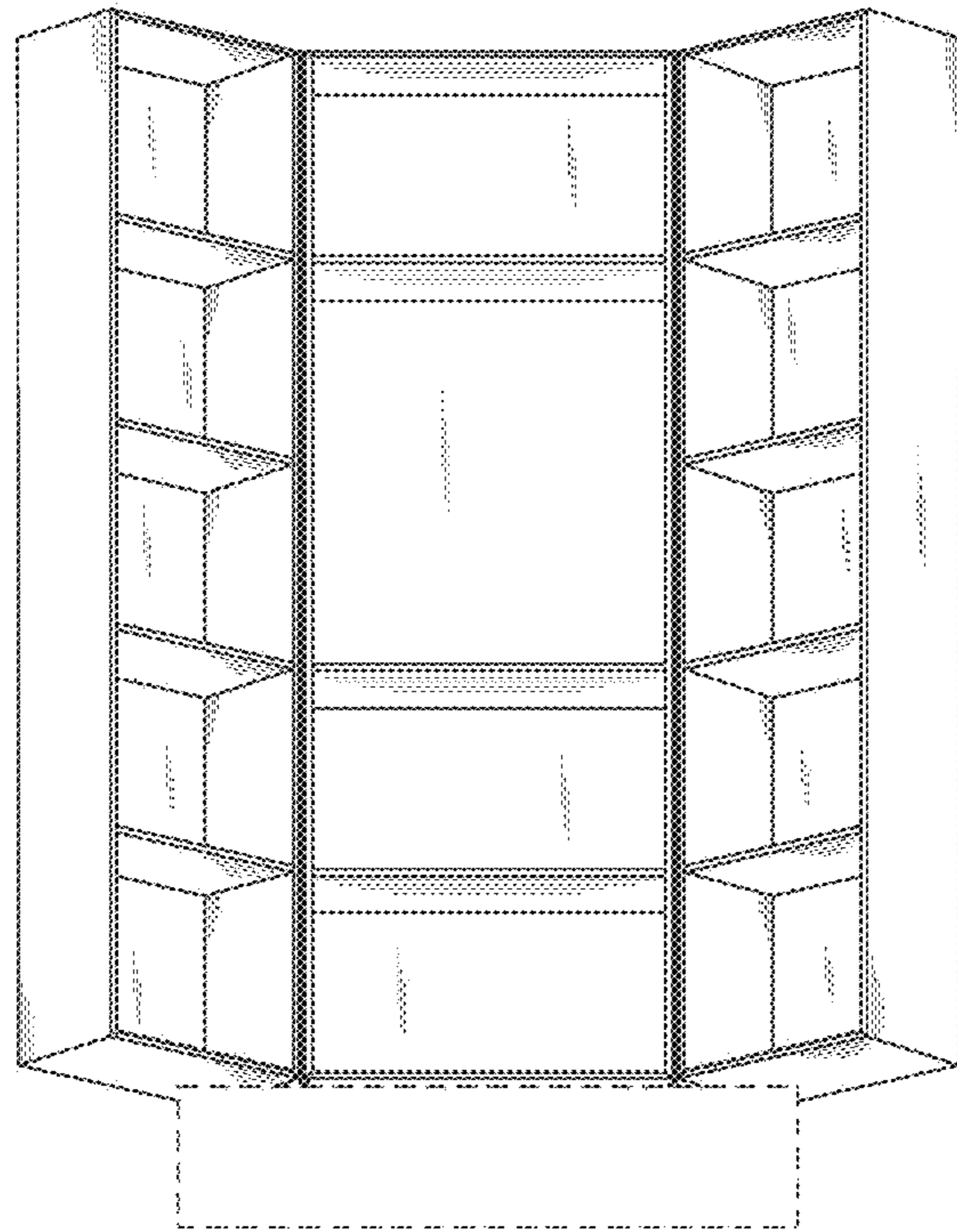


Figure 2

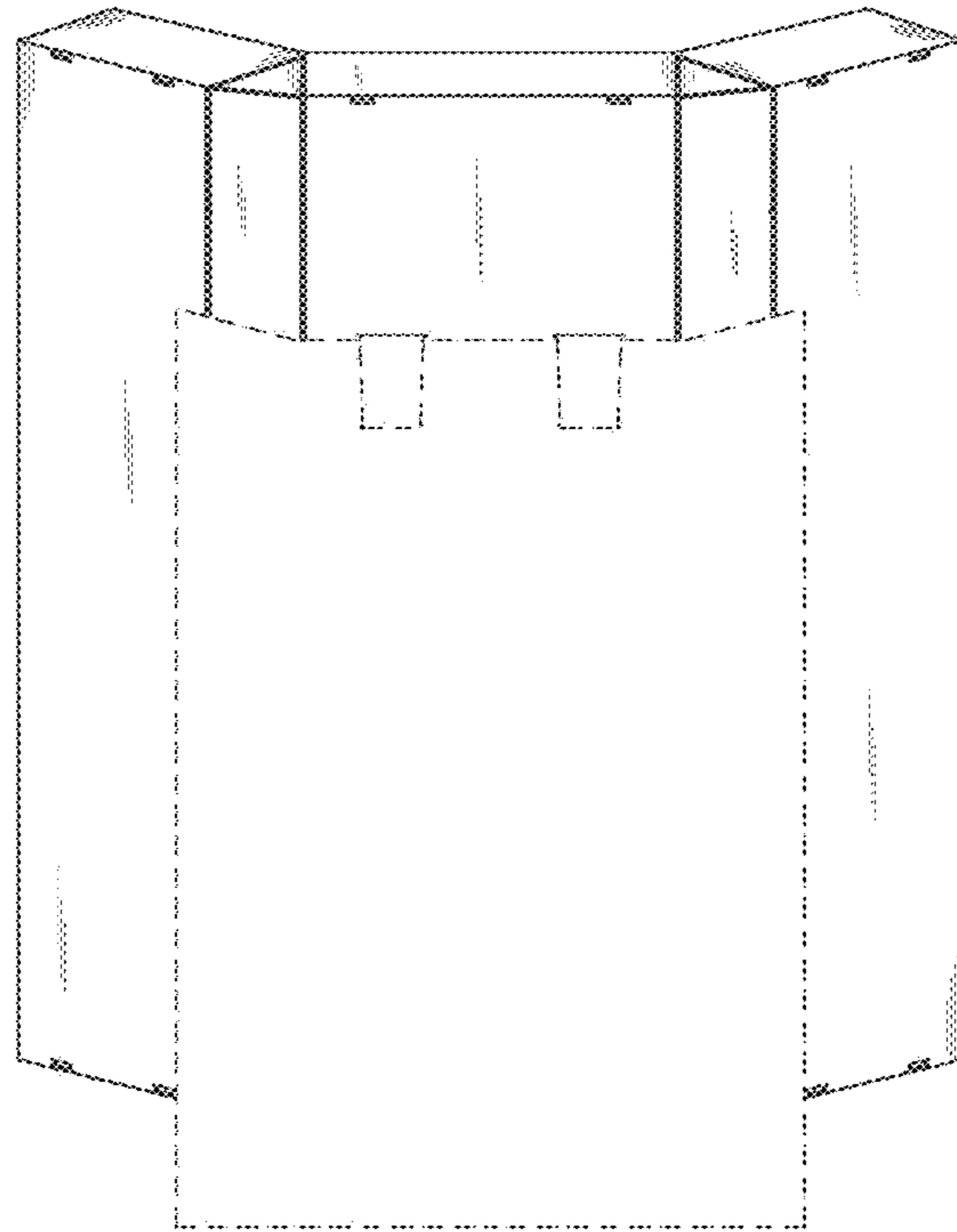


Figure 3

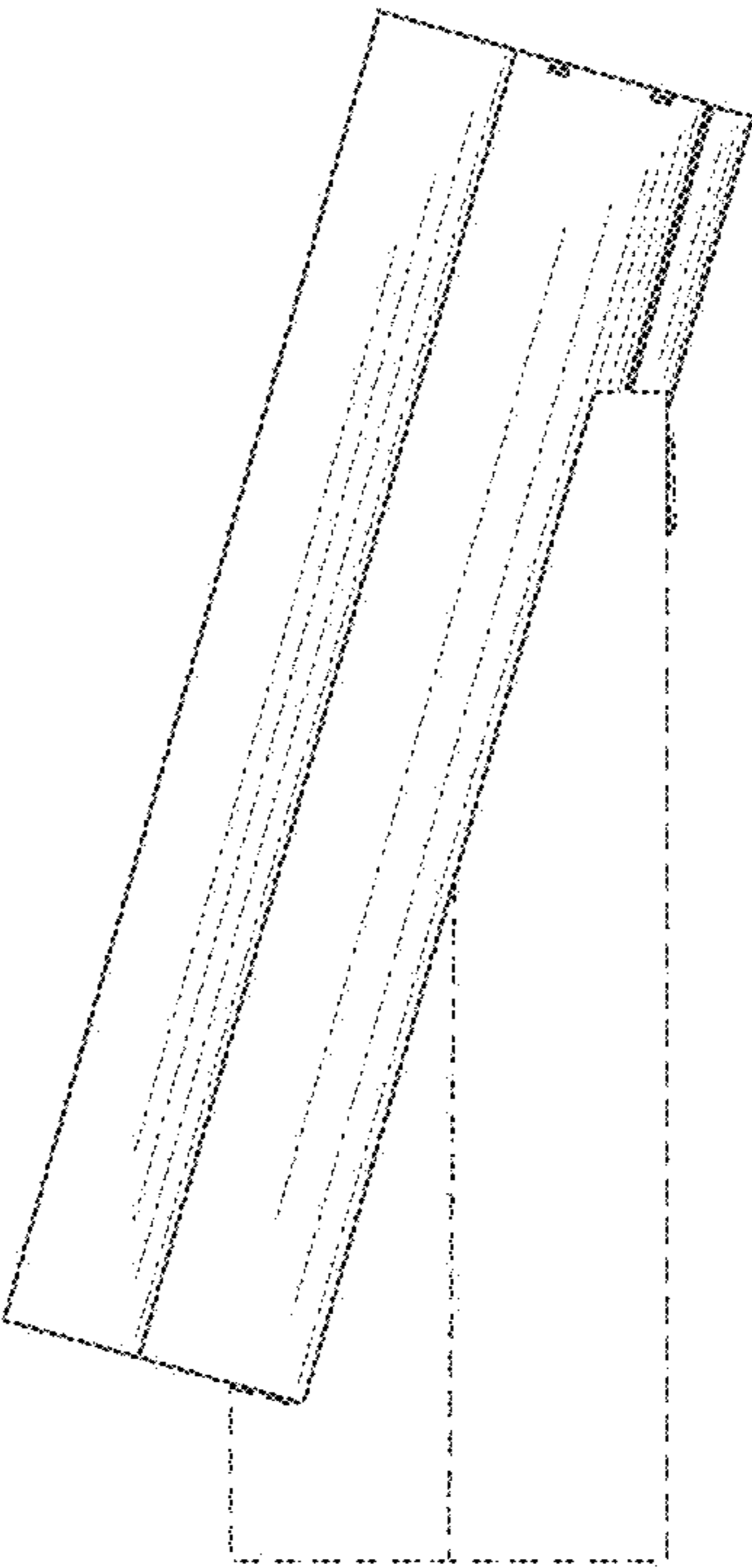


Figure 4

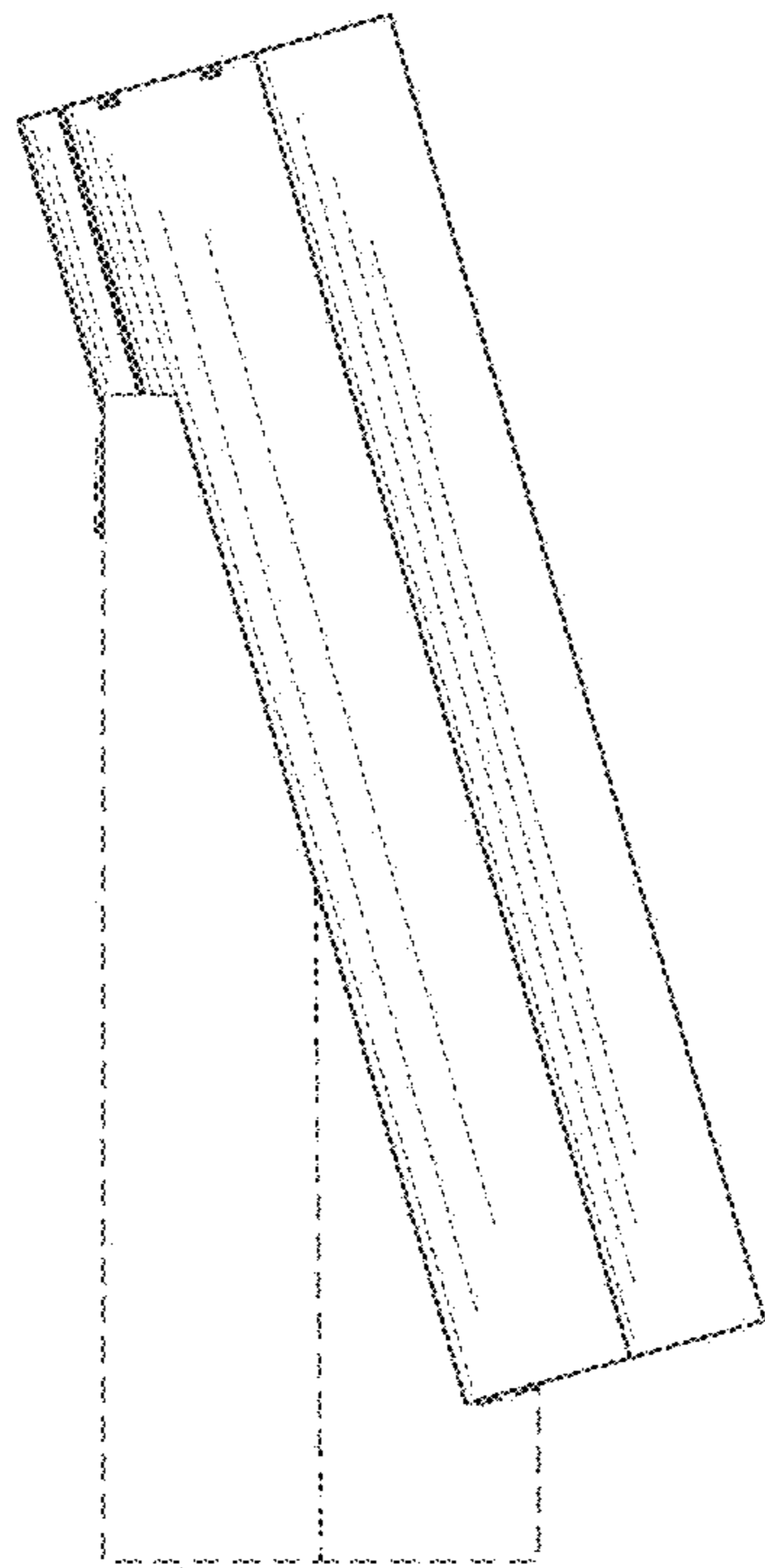


Figure 5

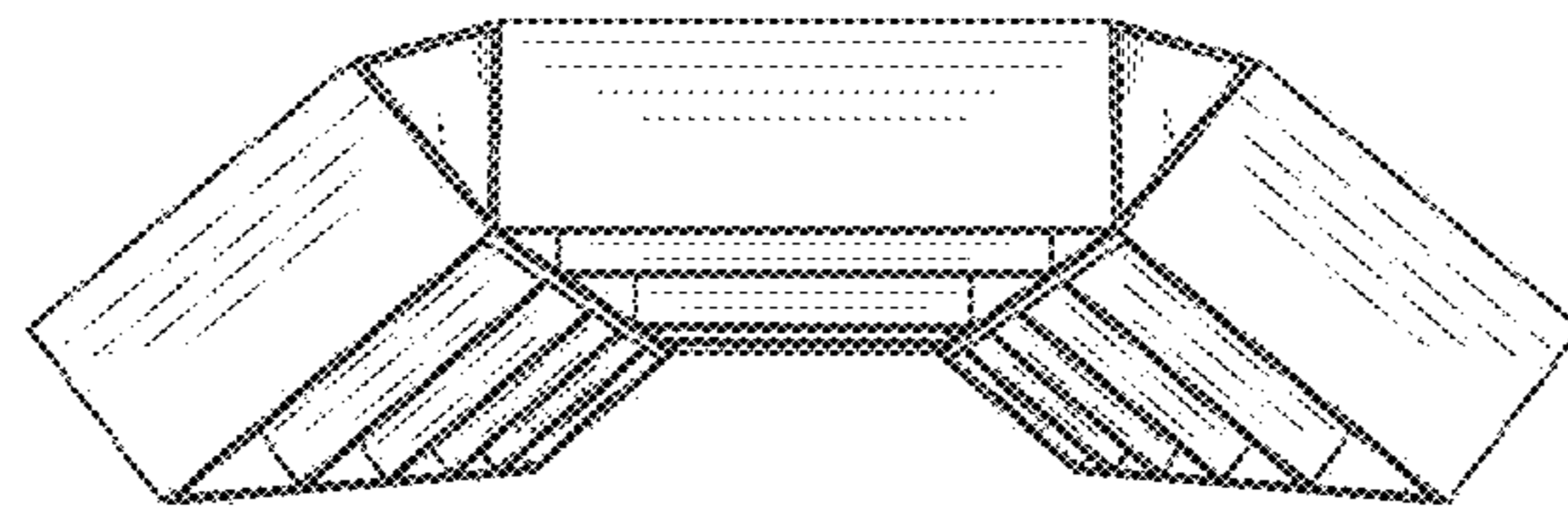


Figure 6



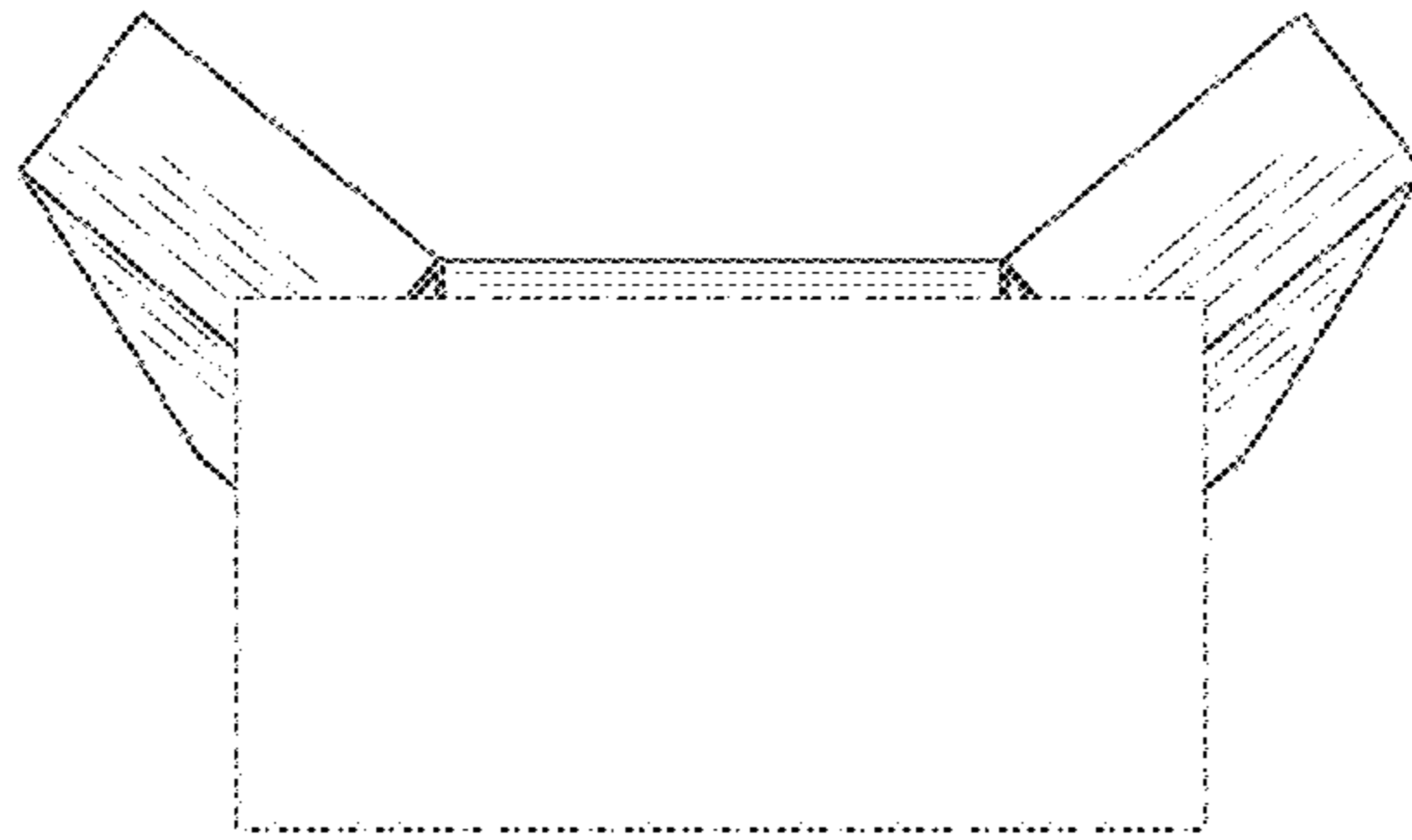


Figure 7

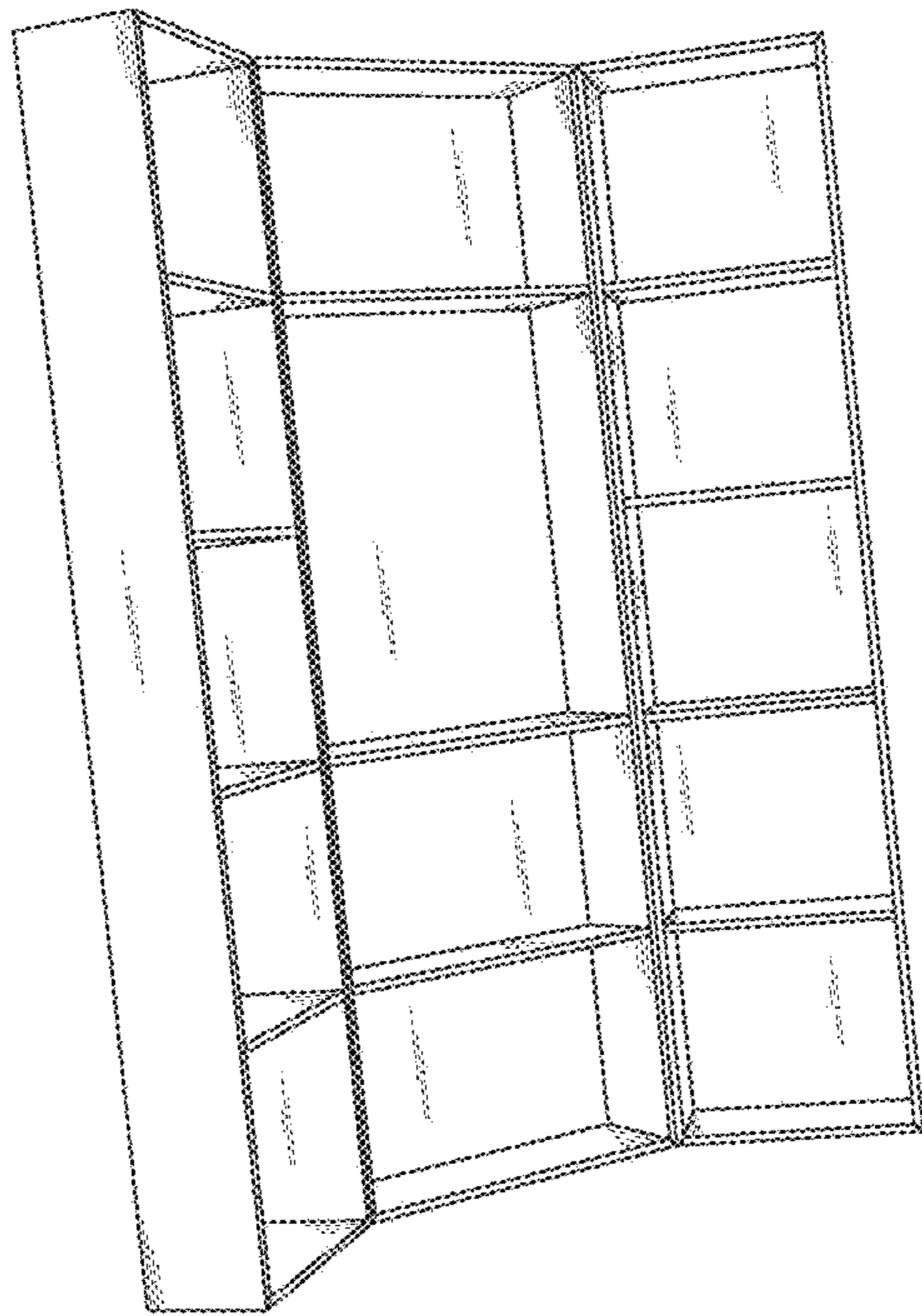


Figure 8

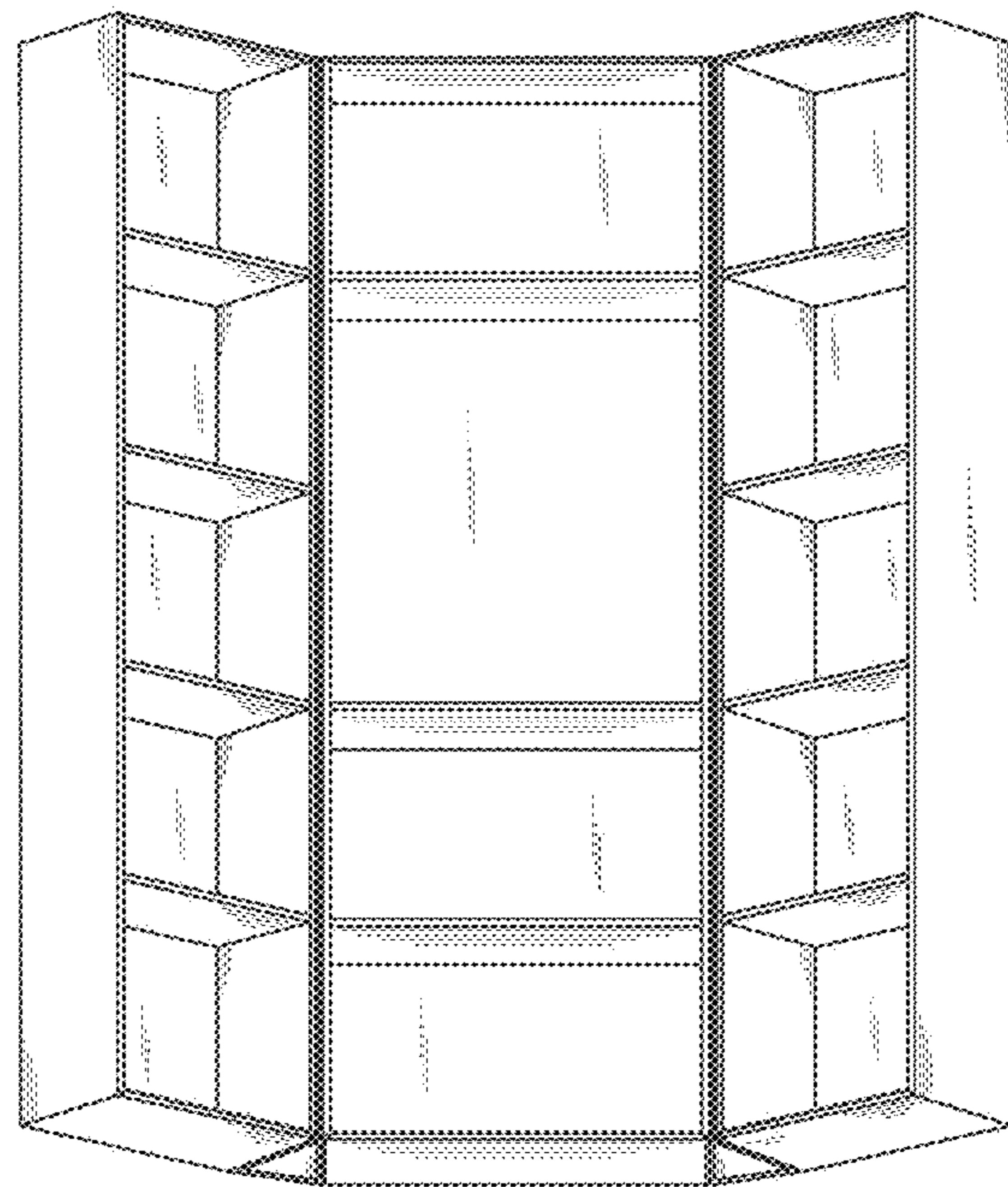


Figure 9

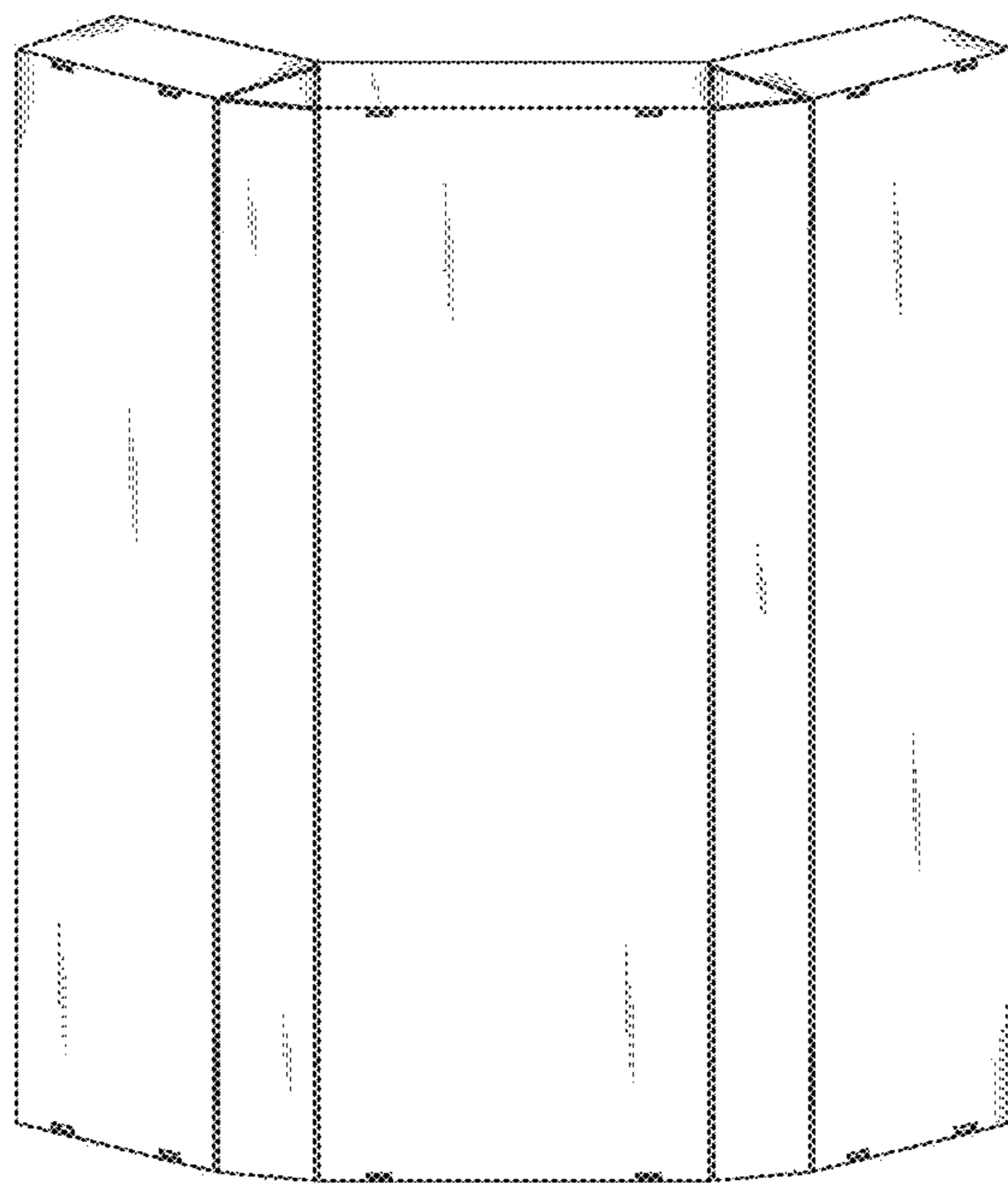


Figure 10

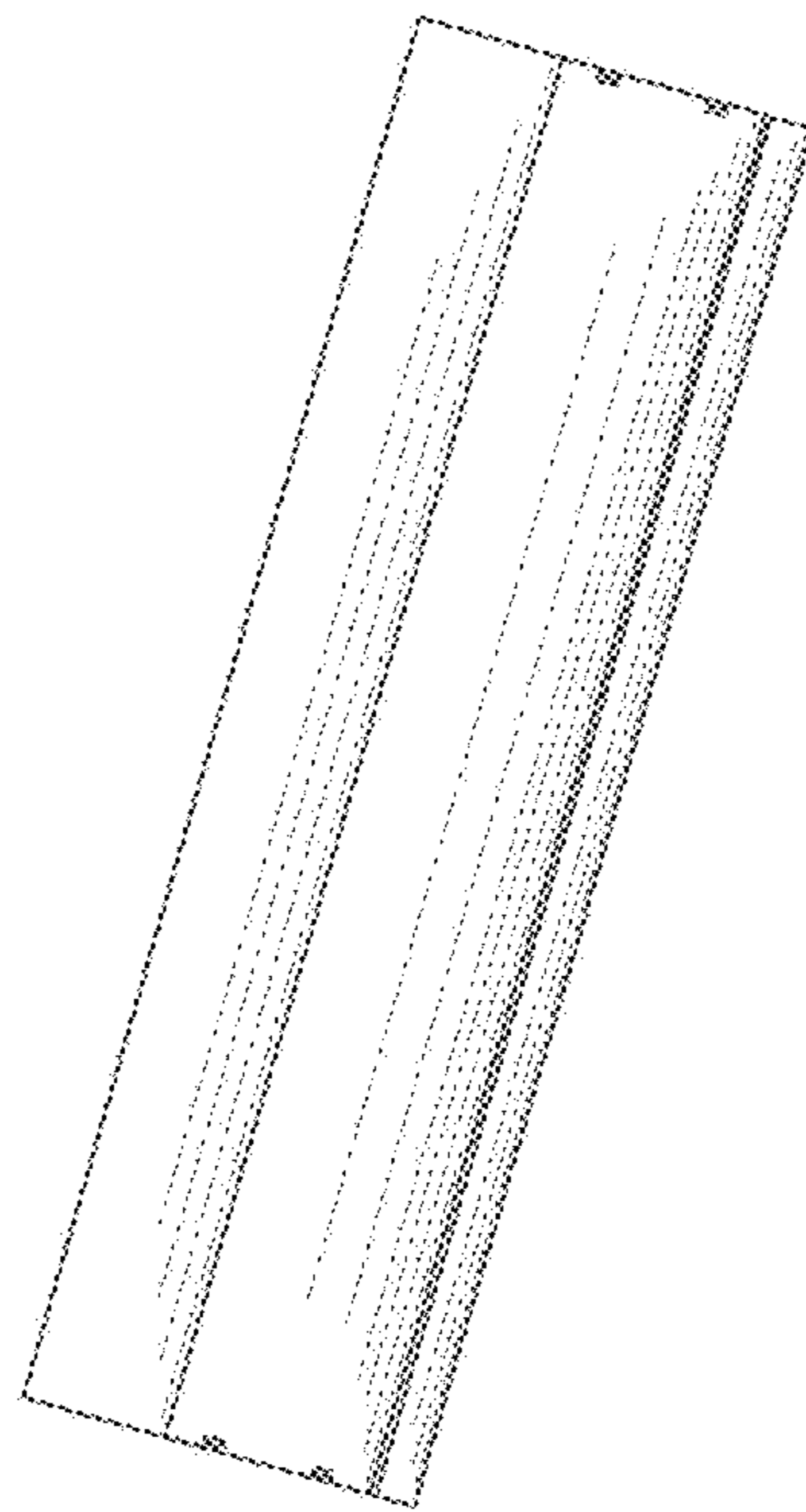


Figure 11

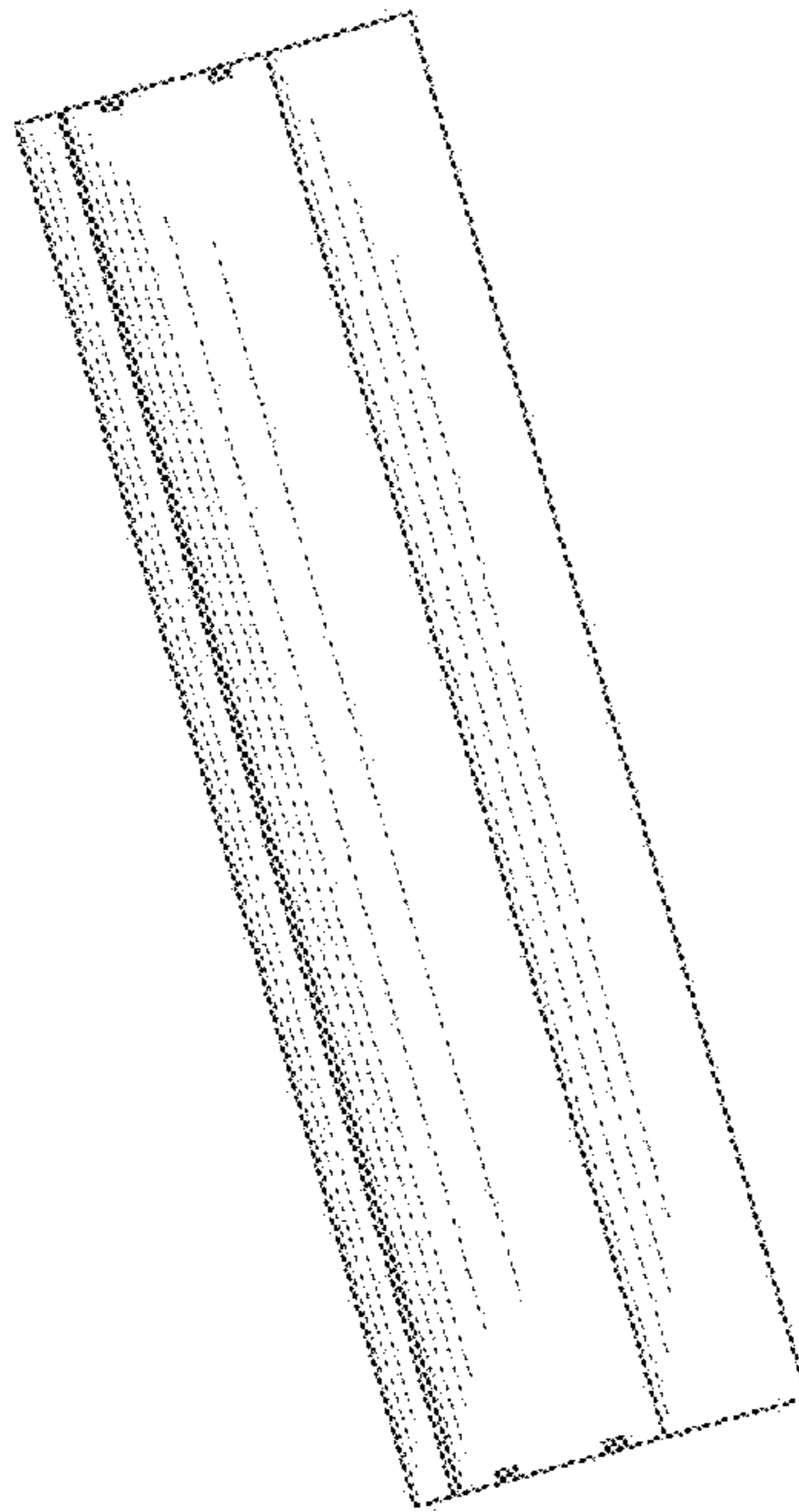


Figure 12

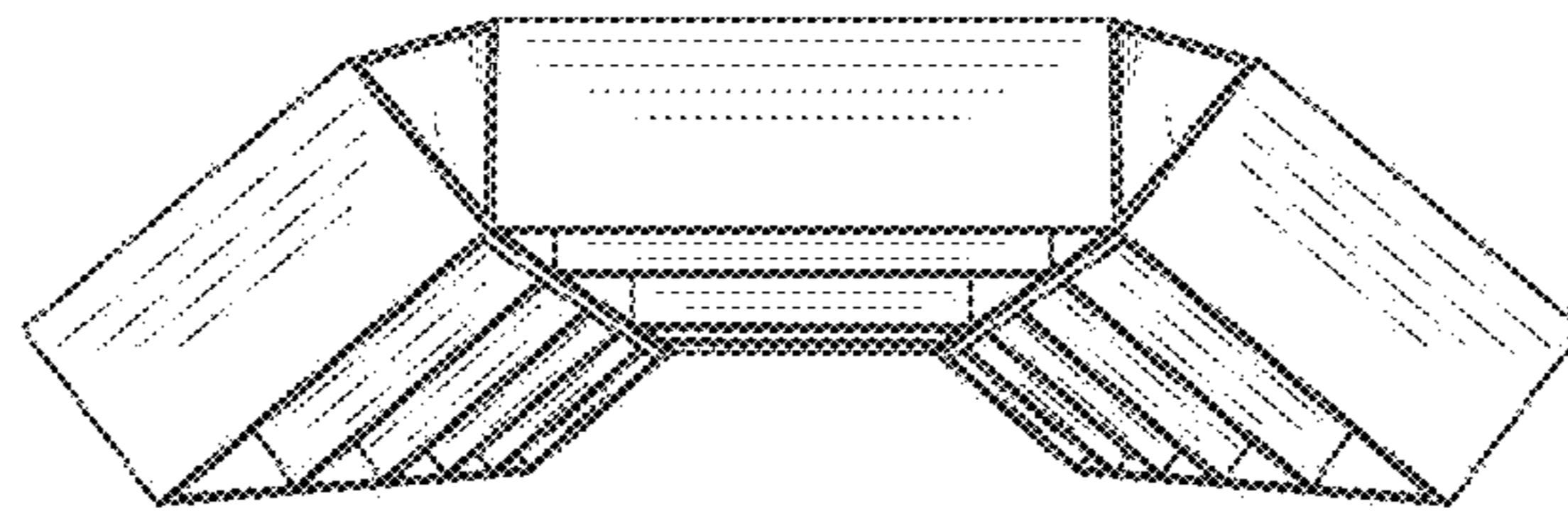


Figure 13

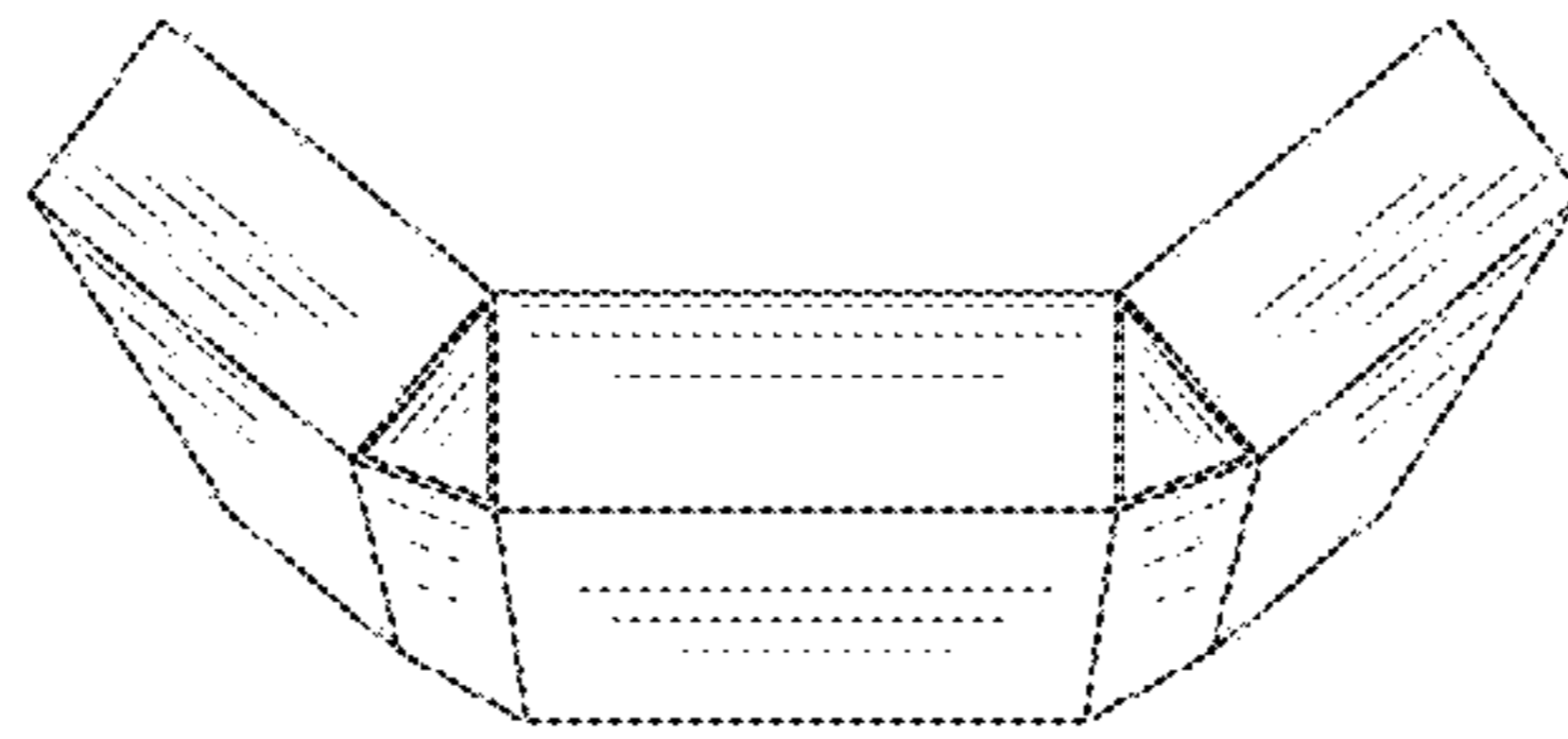


Figure 14