



US00D797476S

(12) **United States Design Patent** (10) **Patent No.:** **US D797,476 S**
Caillouet (45) **Date of Patent:** **** Sep. 19, 2017**

- (54) **STORAGE UNIT**
- (71) Applicant: **Williams-Sonoma, Inc.**, San Francisco, CA (US)
- (72) Inventor: **Rebecca Caillouet**, Brooklyn, NY (US)
- (73) Assignee: **Williams-Sonoma, Inc.**, San Francisco, CA (US)
- (**) Term: **15 Years**
- (21) Appl. No.: **29/555,848**
- (22) Filed: **Feb. 25, 2016**
- (51) **LOC (10) Cl.** **06-04**
- (52) **U.S. Cl.**
USPC **D6/672**
- (58) **Field of Classification Search**
USPC D6/657, 662, 672, 675, 675.8, 675.1, D6/675.4
CPC . A47B 45/00; A47B 47/0025; A47B 47/0066; A47B 47/021; A47B 47/27; A47B 47/04; A47B 47/06; A47B 65/00; A47B 65/15
See application file for complete search history.

- D465,348 S * 11/2002 Lucatello D6/678
- D562,586 S * 2/2008 Parker D6/666
- D663,118 S * 7/2012 Zalewski D3/273
- D706,557 S * 6/2014 Meissner D6/675.1
- D719,380 S * 12/2014 Ward D6/675.1
- D722,459 S * 2/2015 Schluetter D6/675.3
- D744,773 S * 12/2015 Yoon D6/678
- D748,415 S * 2/2016 De Roeck D6/675
- D748,934 S * 2/2016 Arrington-Brown D6/674
- D761,600 S * 7/2016 Hsu D6/678.1
- 2006/0243177 A1* 11/2006 Jones A47B 87/0276
108/180
- 2007/0062891 A1* 3/2007 Stievenard A47B 96/025
211/59.2

* cited by examiner

Primary Examiner — John Windmuller
Assistant Examiner — Steven Czyz
(74) *Attorney, Agent, or Firm* — Cook Alex Ltd.; R. Blake Johnston

(57) **CLAIM**

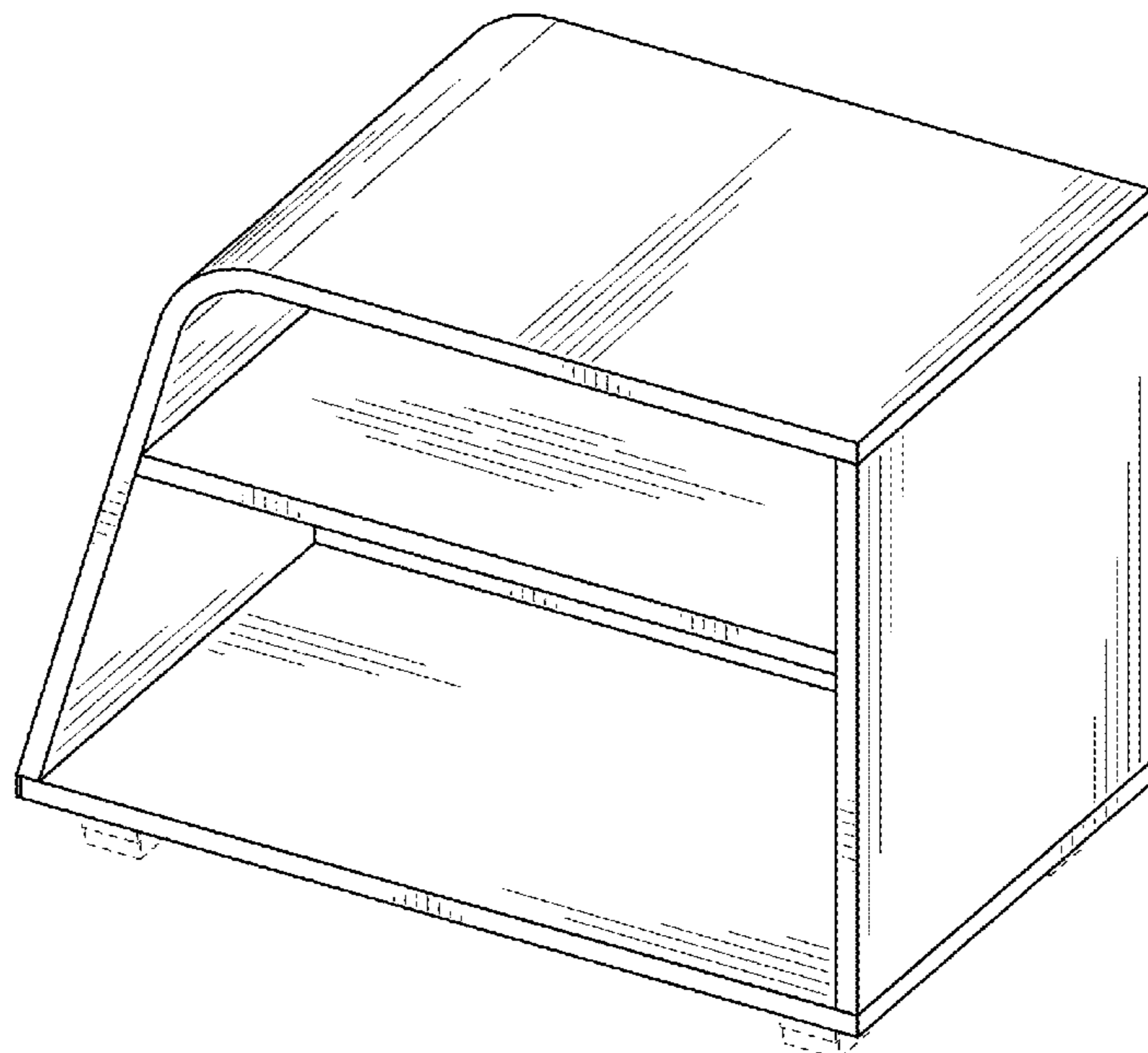
The ornamental design for a storage unit, as shown and described.

DESCRIPTION

FIG. 1 is a perspective view of a storage unit; FIG. 2 is a front elevation view of the storage unit; FIG. 3 is a rear elevation view of the storage unit; FIG. 4 is a left side elevation view of the storage unit; FIG. 5 is a right side elevation view of the storage unit; FIG. 6 is a top plan view of the storage unit; and, FIG. 7 is a bottom plan view of the storage unit. The broken lines depict portions of the article that form no part of the claimed design.

1 Claim, 4 Drawing Sheets

- (56) **References Cited**
U.S. PATENT DOCUMENTS
- D249,001 S * 8/1978 Offredi D6/661
- 4,579,401 A * 4/1986 Mears A47B 43/00
312/258
- D299,600 S * 1/1989 Mollica D6/642
- D307,839 S * 5/1990 Johnson, Jr. D6/674
- D383,332 S * 9/1997 Schneider D6/674
- D384,227 S * 9/1997 Grosfillex D6/675.1
- D403,897 S * 1/1999 Crinion D34/21
- D437,706 S * 2/2001 Alcalá D6/671



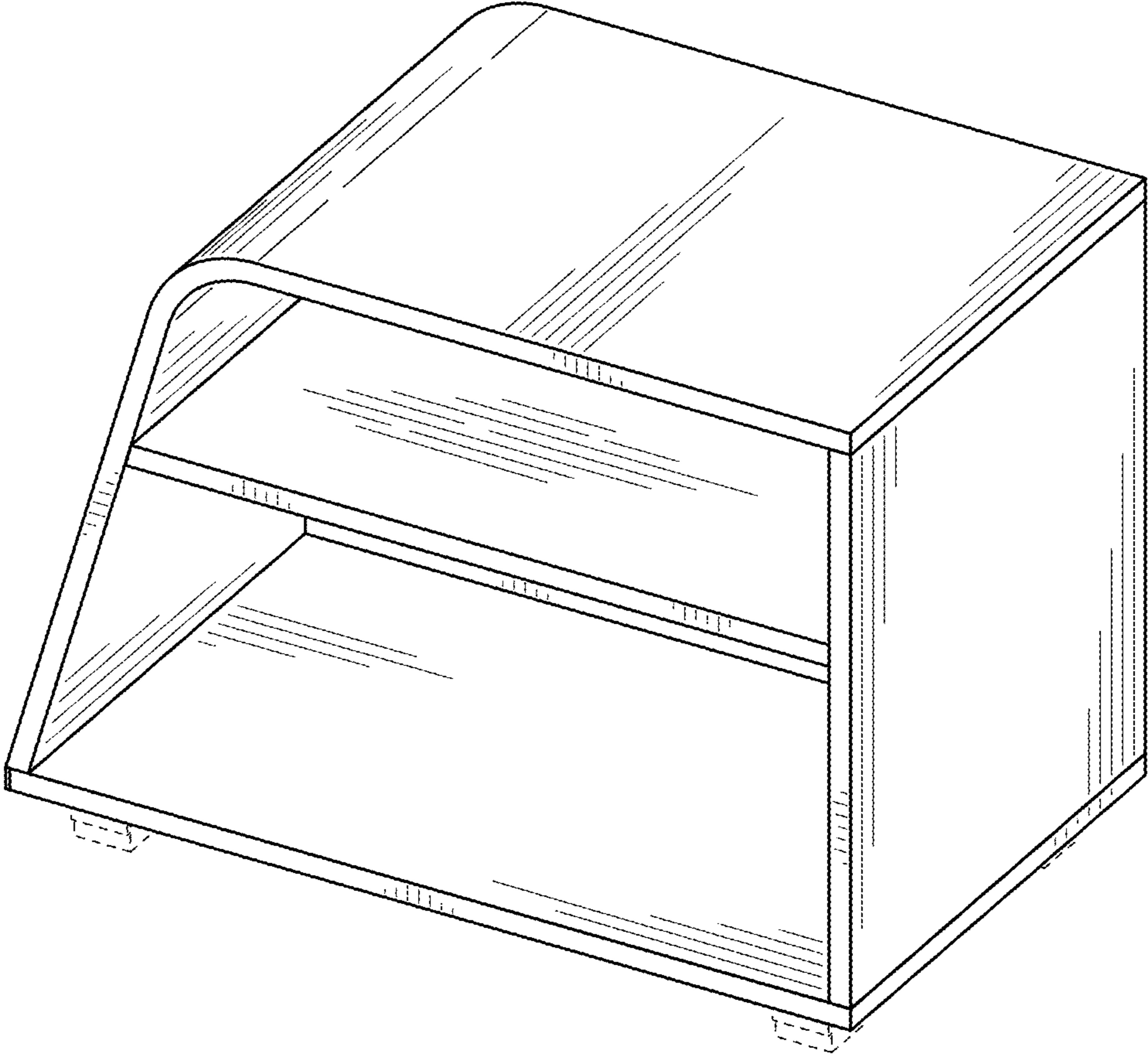


FIG. 1

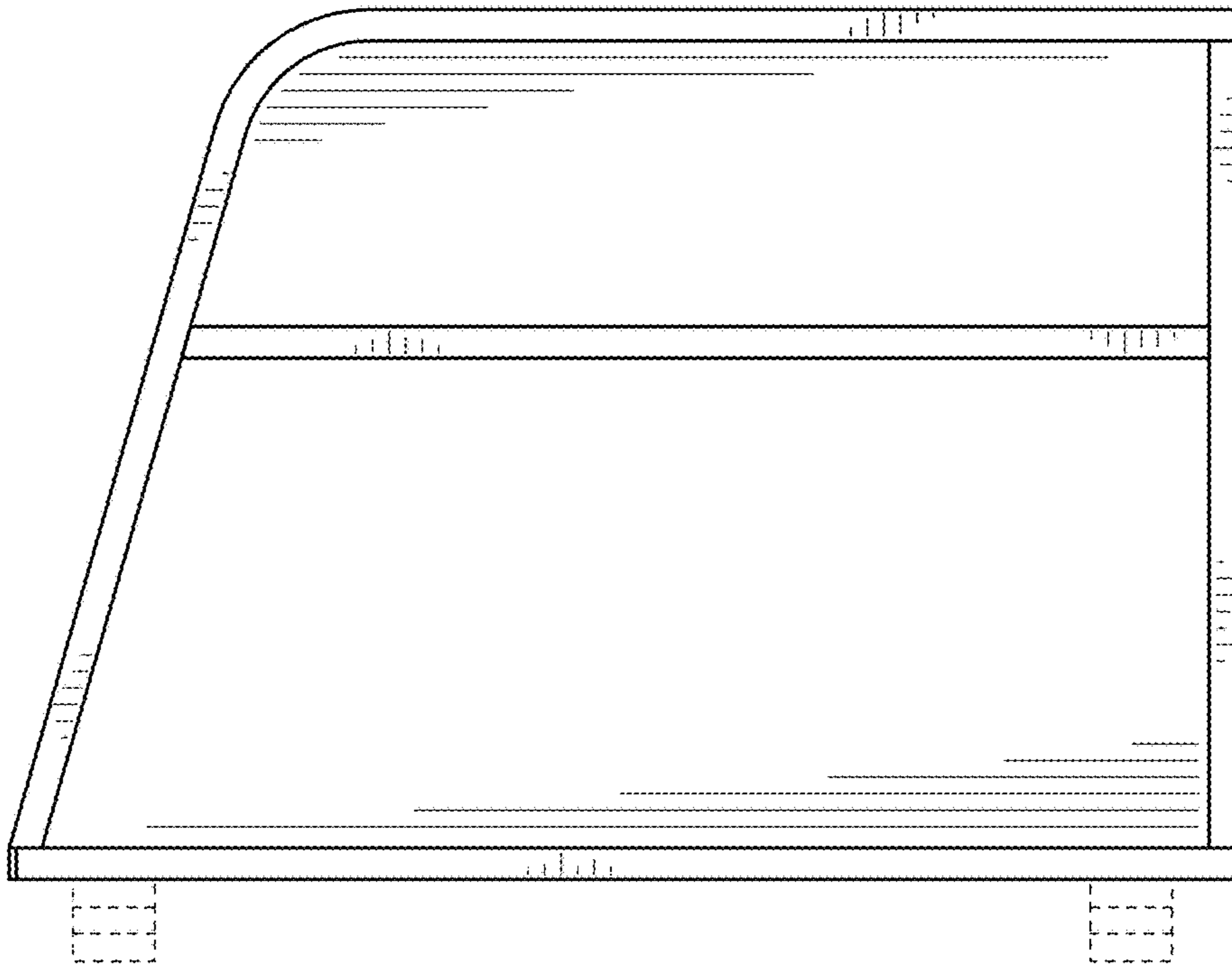


FIG. 2

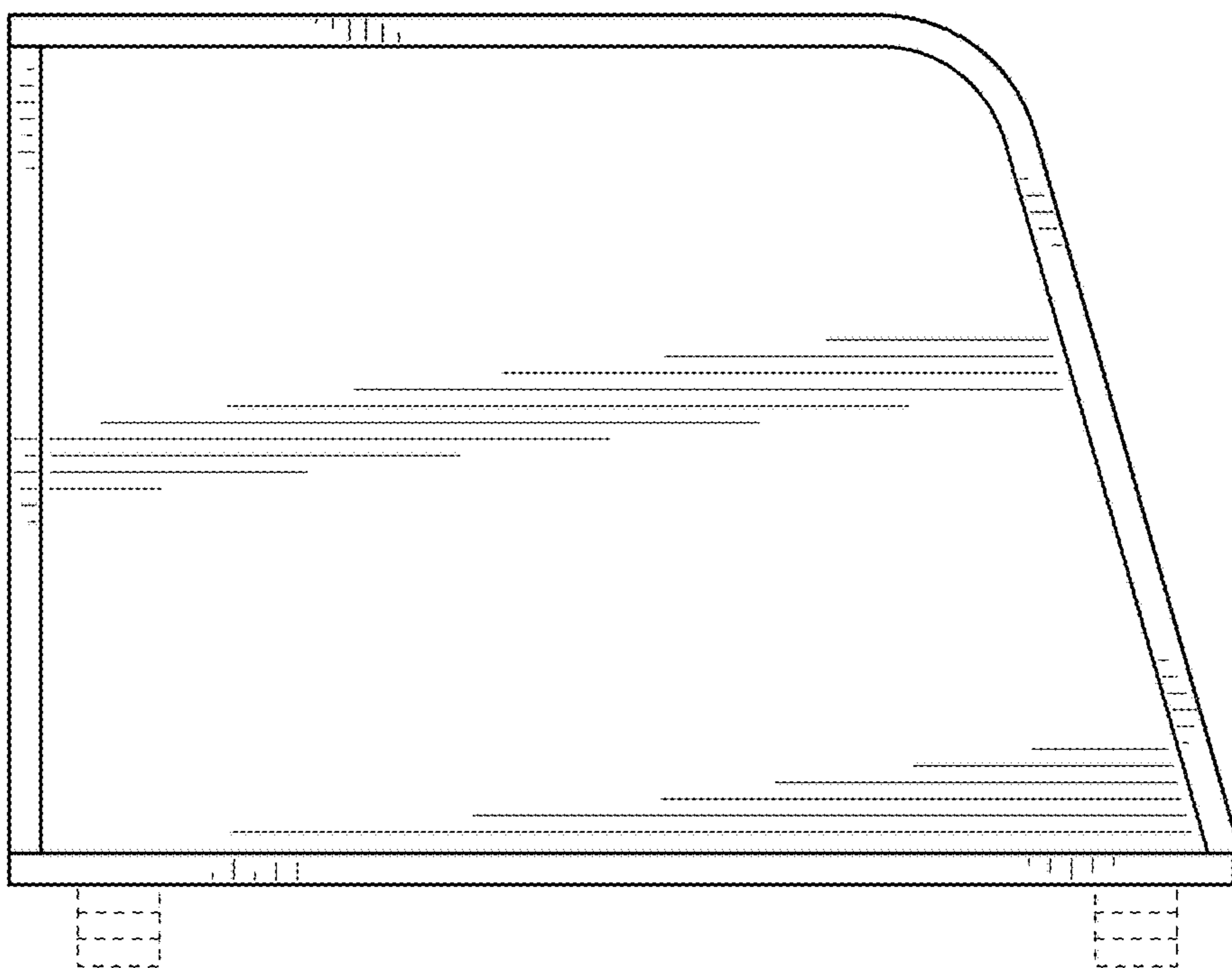


FIG. 3

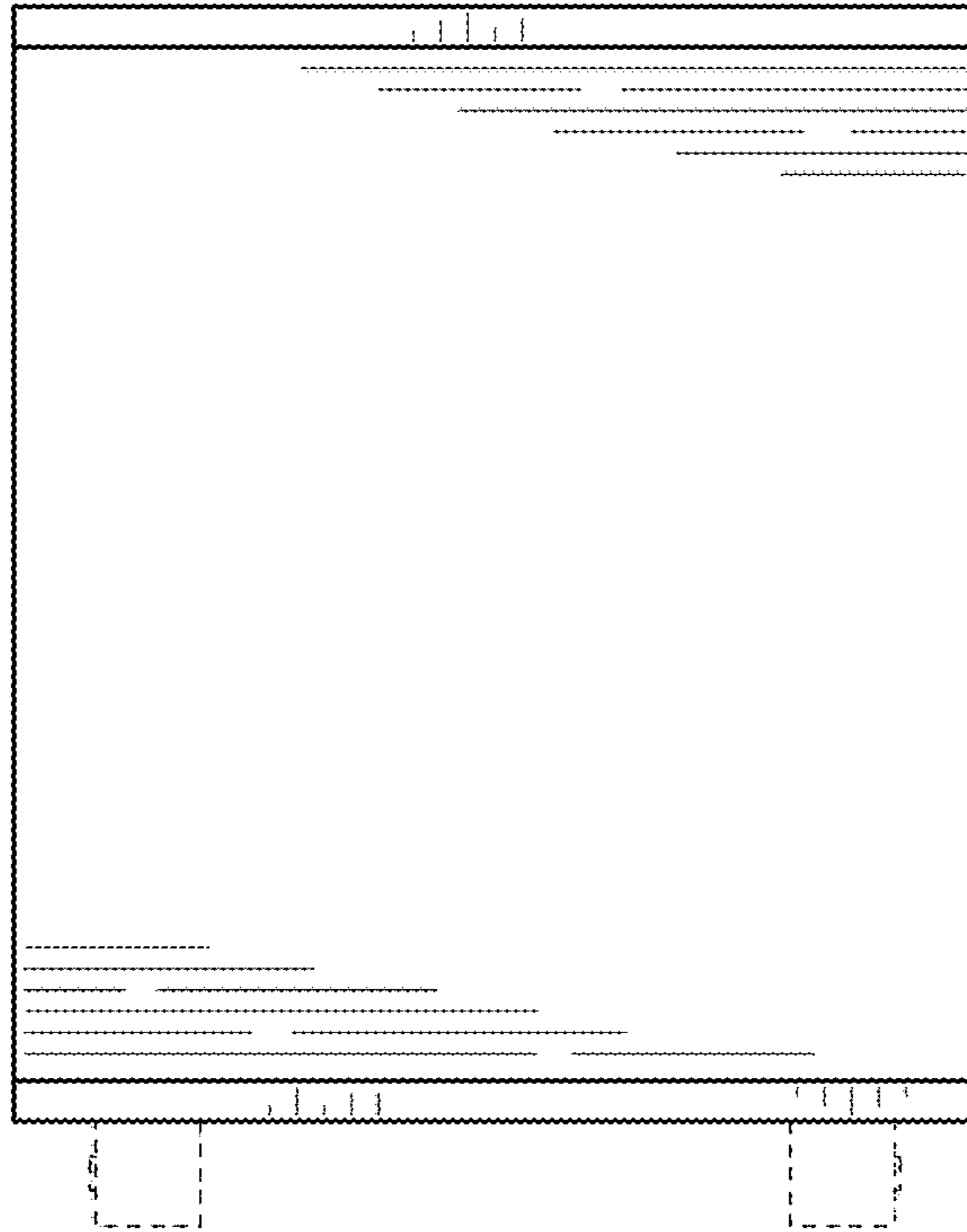


FIG. 4

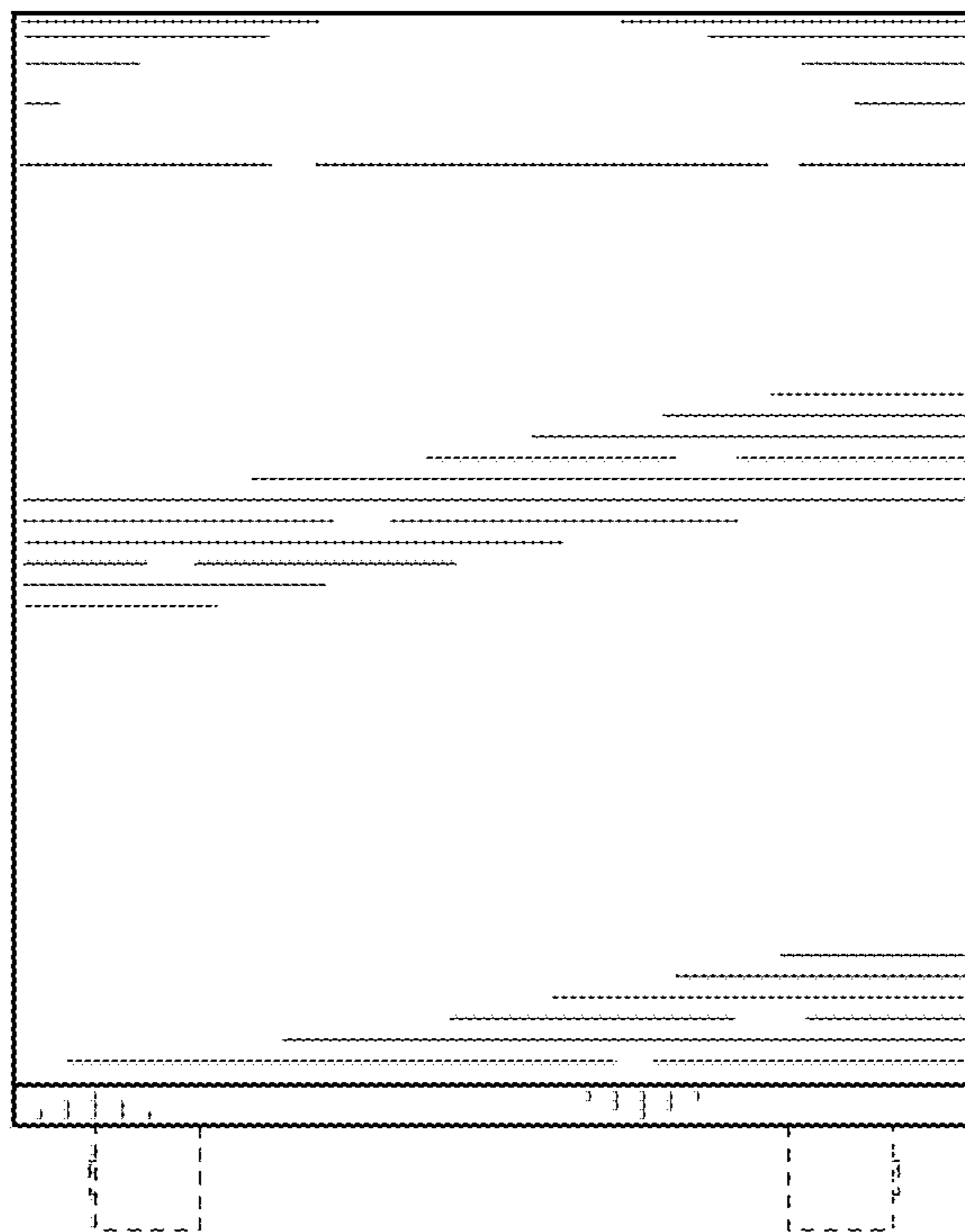


FIG. 5

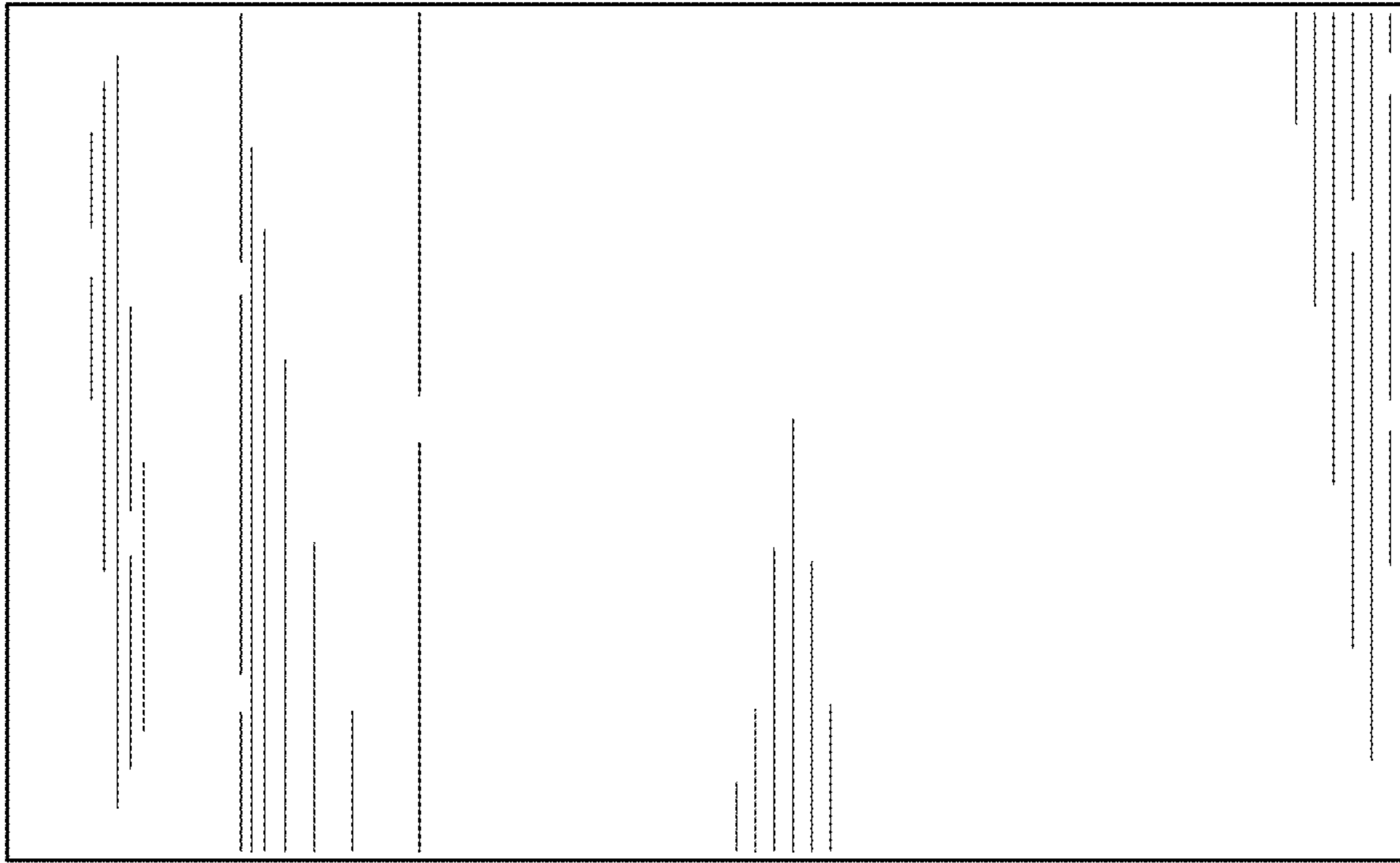


FIG. 6

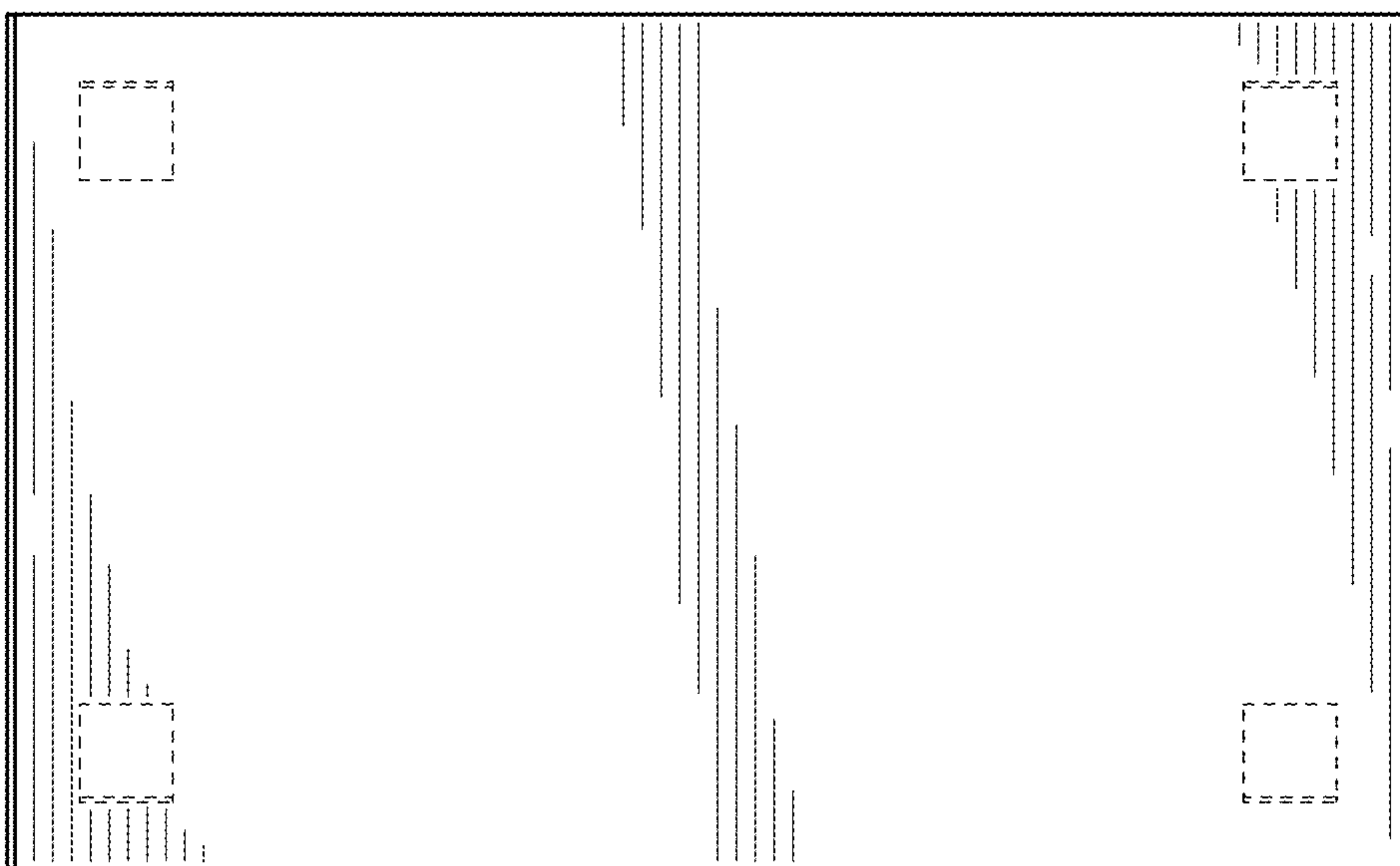


FIG. 7