



US00D797475S

(12) **United States Design Patent** (10) **Patent No.:** **US D797,475 S**
Awad (45) **Date of Patent:** **** Sep. 19, 2017**

- (54) **CABINET** 4,288,132 A * 9/1981 Znamirovski A47B 47/03
248/205.3
- (71) Applicant: **Mary Awad**, Sherman Oaks, CA (US) (Continued)
- (72) Inventor: **Mary Awad**, Sherman Oaks, CA (US)
- (73) Assignee: **Cosmocube, Inc.**, Chatsworth, CA (US)
- (**) Term: **15 Years**
- (21) Appl. No.: **29/569,146**
- (22) Filed: **Jun. 23, 2016**
- (51) **LOC (10) Cl.** **06-04**
- (52) **U.S. Cl.**
USPC **D6/671**
- (58) **Field of Classification Search**
USPC D6/663, 559-561, 699, 334-336, 349,
D6/351, 352, 358, 360, 364, 365, 366,
D6/374, 375, 379, 380, 611, 632, 657,
D6/662.1, 668.1, 668.2, 669, 671, 671.1,
D6/672, 674, 675, 675.1, 675.3, 683,
D6/683.1, 685, 691, 691.5, 702, 703,
D6/703.1, 708, 708.2, 708.21, 708.25,
D6/716, 716.1-716.4; D3/304, 307, 309,
D3/288; D7/333; D23/286, 343, 342;
D24/227-230; D25/48.4, 113, 163;
D13/184; D15/127; D12/402
CPC A47B 46/00; A47B 47/042; A47B 47/05;
A47B 47/03; A47B 47/0075; A47B
47/02; A47B 97/00; A47B 67/02; A47B
81/005; A47B 81/00; A47B 77/02; A47B
87/005; A47B 96/16; A47B 96/20; A45C
11/16; A45C 13/02; Y10S 292/21; Y10T
70/5097; E05C 19/001; E05C 7/04; E05C
3/042; E05B 53/001; E05F 1/006; H05K
9/0062; B01D 3/148; A47F 7/02; A47F
3/002;

(Continued)

(56) **References Cited**

U.S. PATENT DOCUMENTS

- 1,944,394 A * 1/1934 Bales A47B 47/03
126/39 B

OTHER PUBLICATIONS

“Stainless Steel Furniture” Nov. 23, 2009, kugel-medical.de, site visited Apr. 17, 2017 <<http://www.kugel-medical.de/index.php?id=34&L=2>>.*

Primary Examiner — Kevin Rudzinski
Assistant Examiner — Paul Bohannon
(74) Attorney, Agent, or Firm — James Juo

(57) **CLAIM**

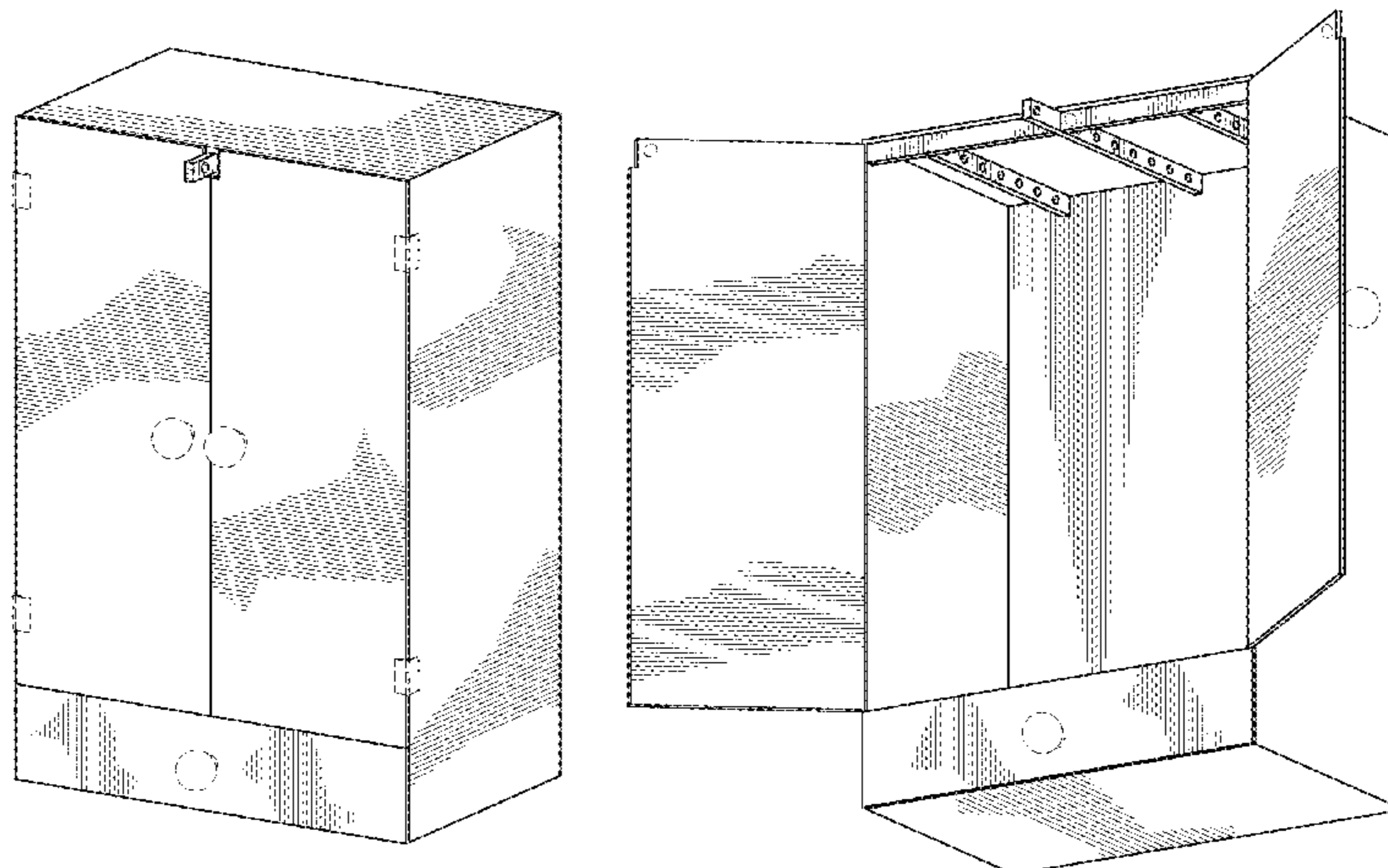
The ornamental design for a cabinet, as shown and described.

DESCRIPTION

FIG. 1 is a top, front, right side perspective view of the cabinet;
FIG. 2 is a top plan view of the cabinet;
FIG. 3 is a front elevational view of the cabinet;
FIG. 4 is a rear elevational view of the cabinet;
FIG. 5 is a bottom plan view of the cabinet;
FIG. 6 is a right side elevational view of the cabinet;
FIG. 7 is a left side elevational view of the cabinet;
FIG. 8 is a top, front, right side perspective view of the cabinet with the drawer shown in a partially open configuration, and the doors open and showing the top slats inside the cabinet.
FIG. 9 is a bottom, front, right side perspective view of the cabinet with the doors open and showing the top slats inside the cabinet; and,
FIG. 10 is a bottom, front, left side perspective view of the cabinet with the doors open and showing the top slats inside the cabinet.

The broken lines appearing in the drawings illustrate portions of the cabinet and form no part of the claimed design.

1 Claim, 7 Drawing Sheets



(58) **Field of Classification Search**

CPC .. A47F 3/043; A47F 5/08; A47G 1/02; A47G
1/12; A47G 1/00; A47G 29/12

See application file for complete search history.

(56) **References Cited**

U.S. PATENT DOCUMENTS

4,324,446	A *	4/1982	LeSage	A45C 11/16 206/566
5,368,380	A *	11/1994	Mottmiller	A47B 47/0075 312/111
6,478,391	B1 *	11/2002	Stoever	A47B 47/02 312/265.5
7,370,890	B2 *	5/2008	Samsel	E05B 53/001 292/162
8,029,079	B2 *	10/2011	Reich	B01D 3/148 312/324
D668,888	S *	10/2012	Key	D6/671
8,651,595	B2 *	2/2014	Backhaus	E05F 1/006 312/324
9,078,519	B2 *	7/2015	Ulibarri	A47B 97/00
2001/0003408	A1 *	6/2001	Otto	A47F 3/043 312/407
2009/0102332	A1 *	4/2009	Lear	E05C 3/042 312/218
2014/0265780	A1 *	9/2014	Graham	A47B 96/20 312/300

* cited by examiner

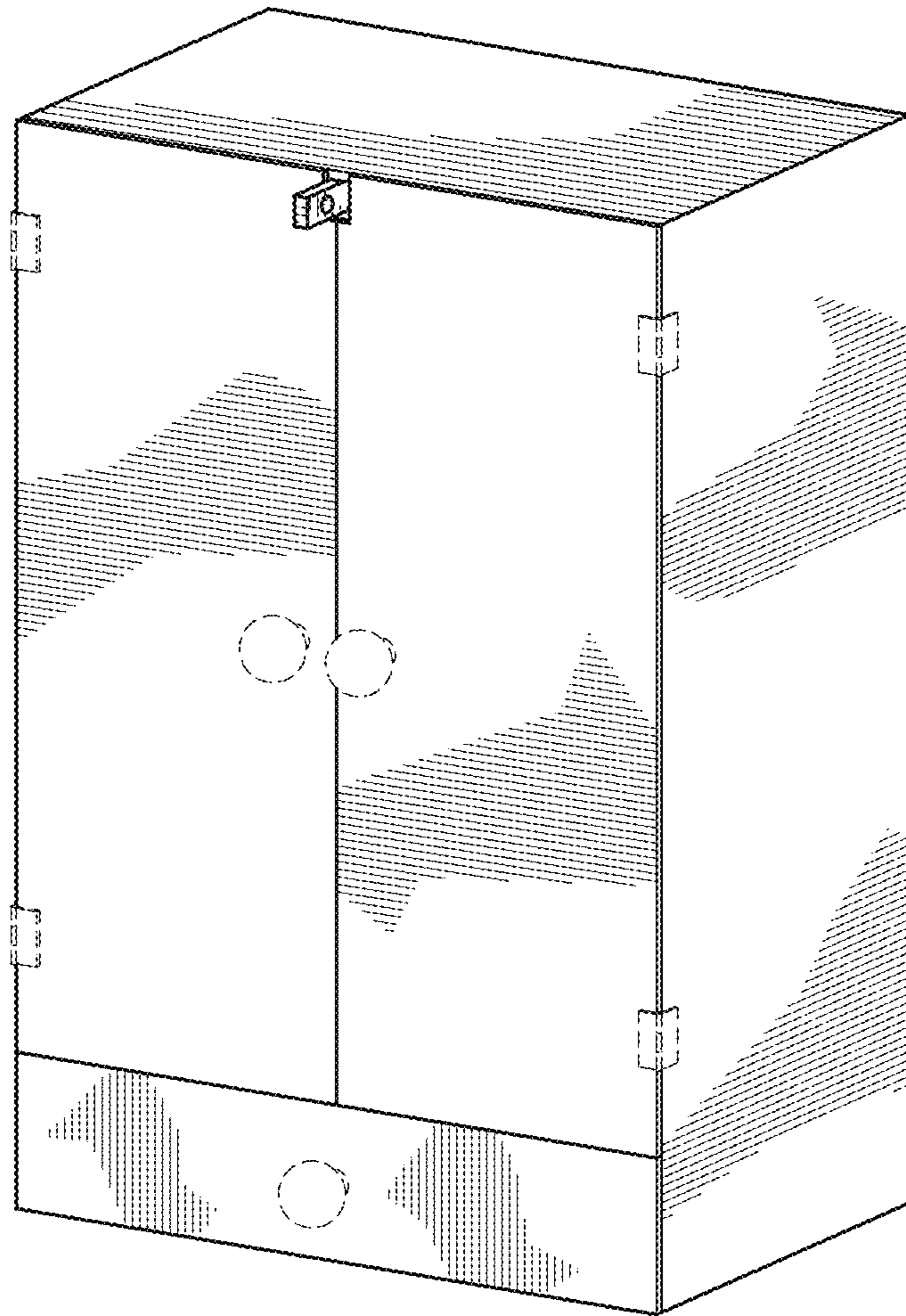


FIG. 1

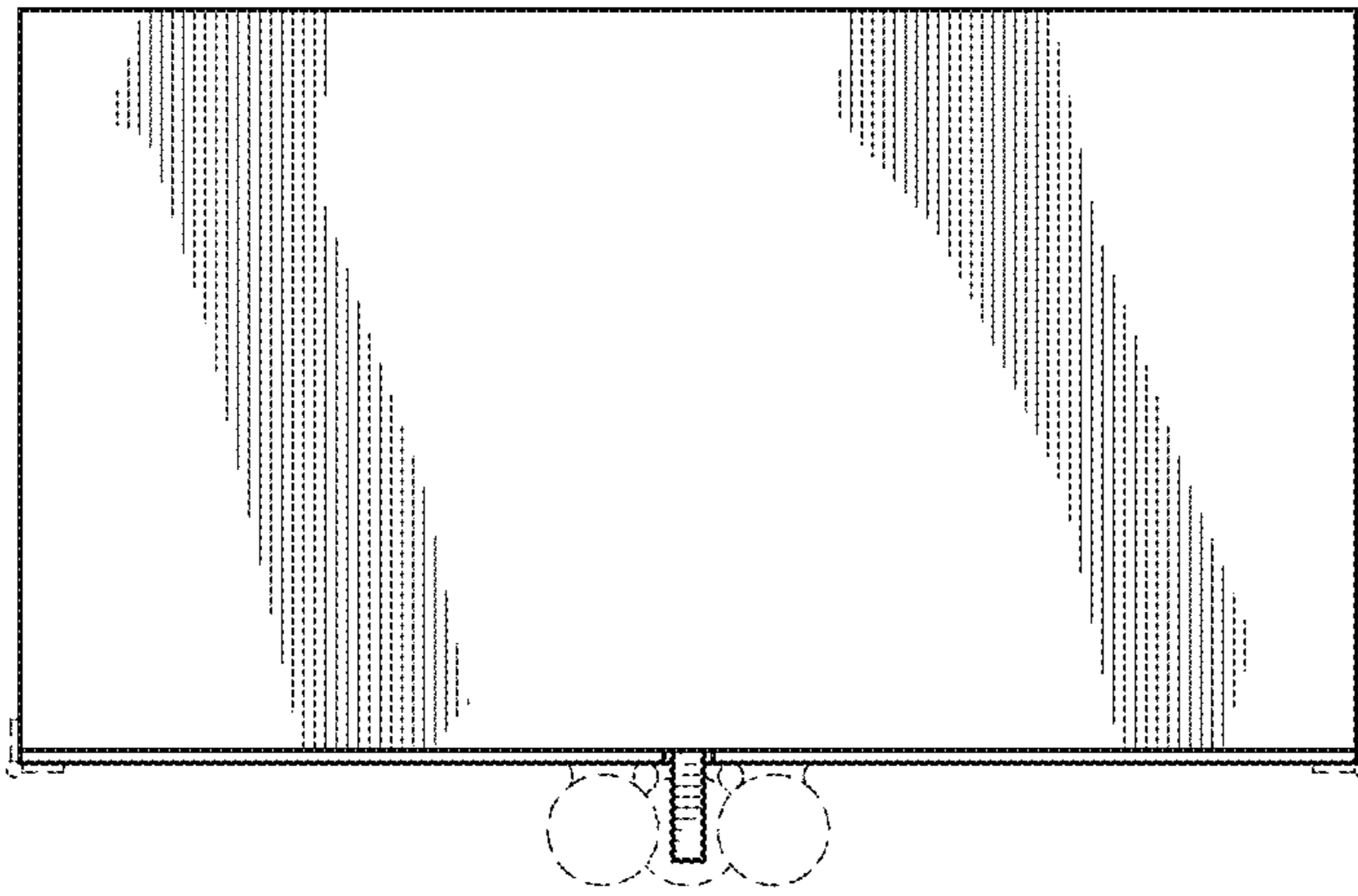


FIG. 2

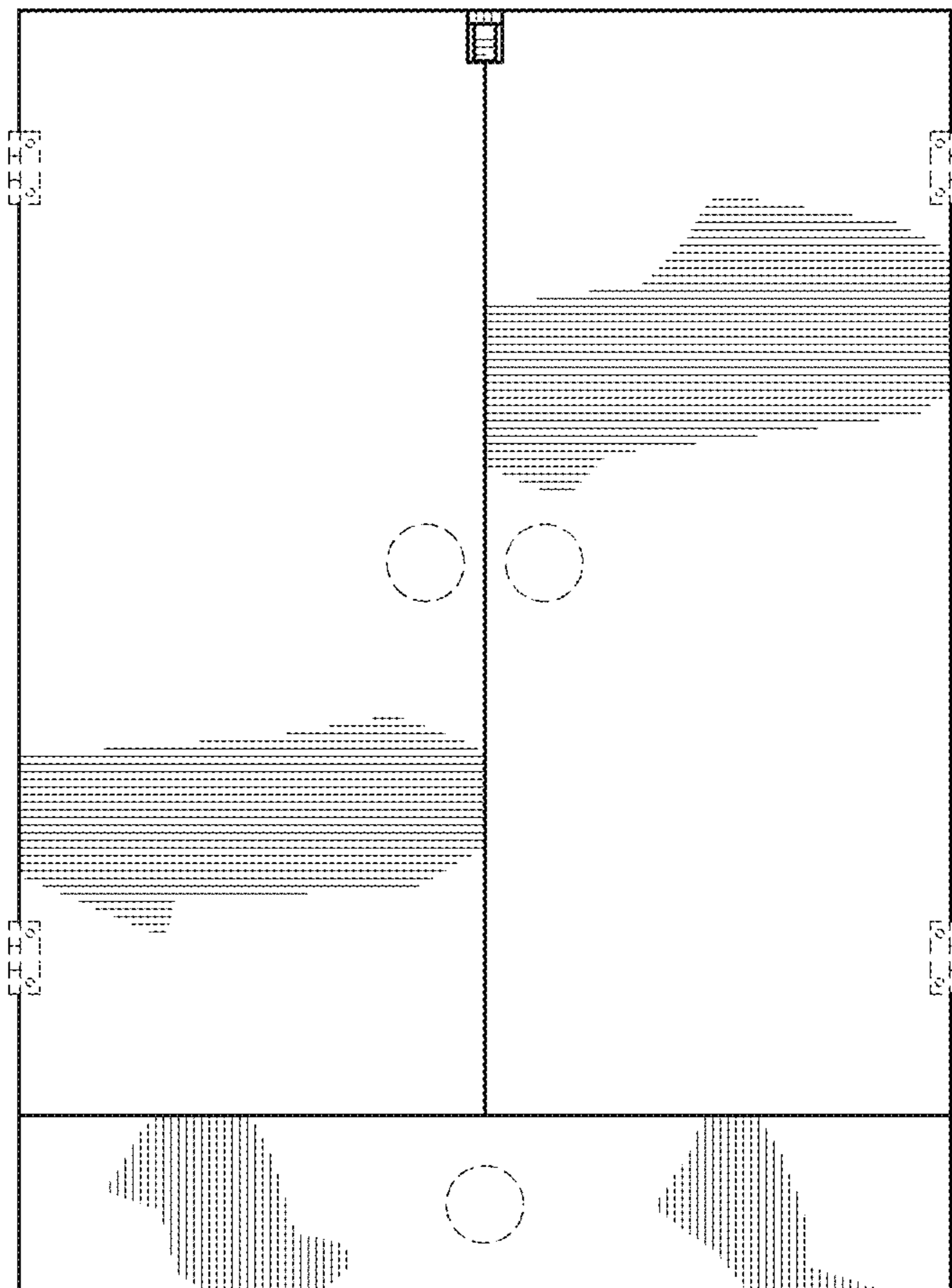


FIG. 3

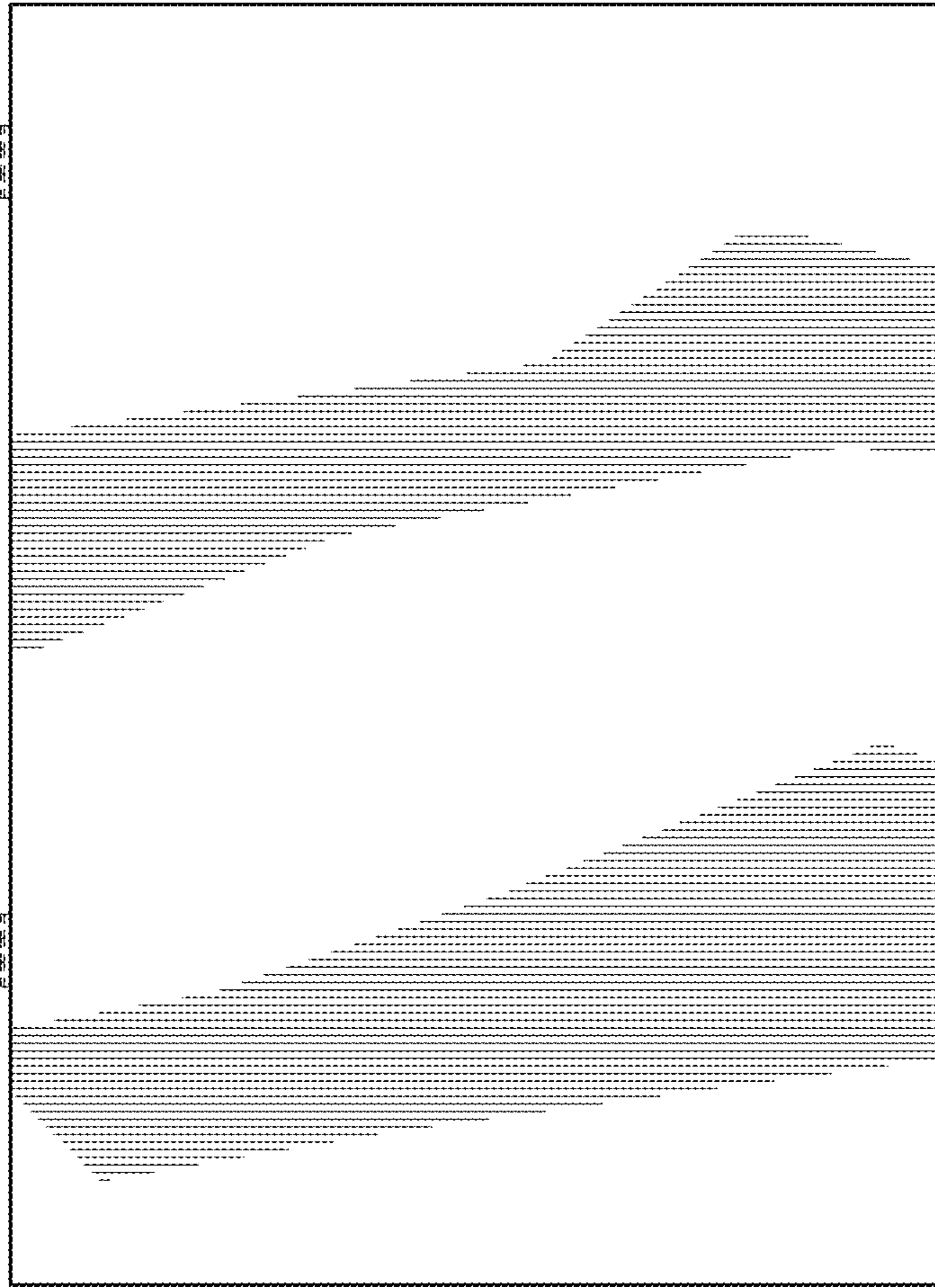


FIG. 4

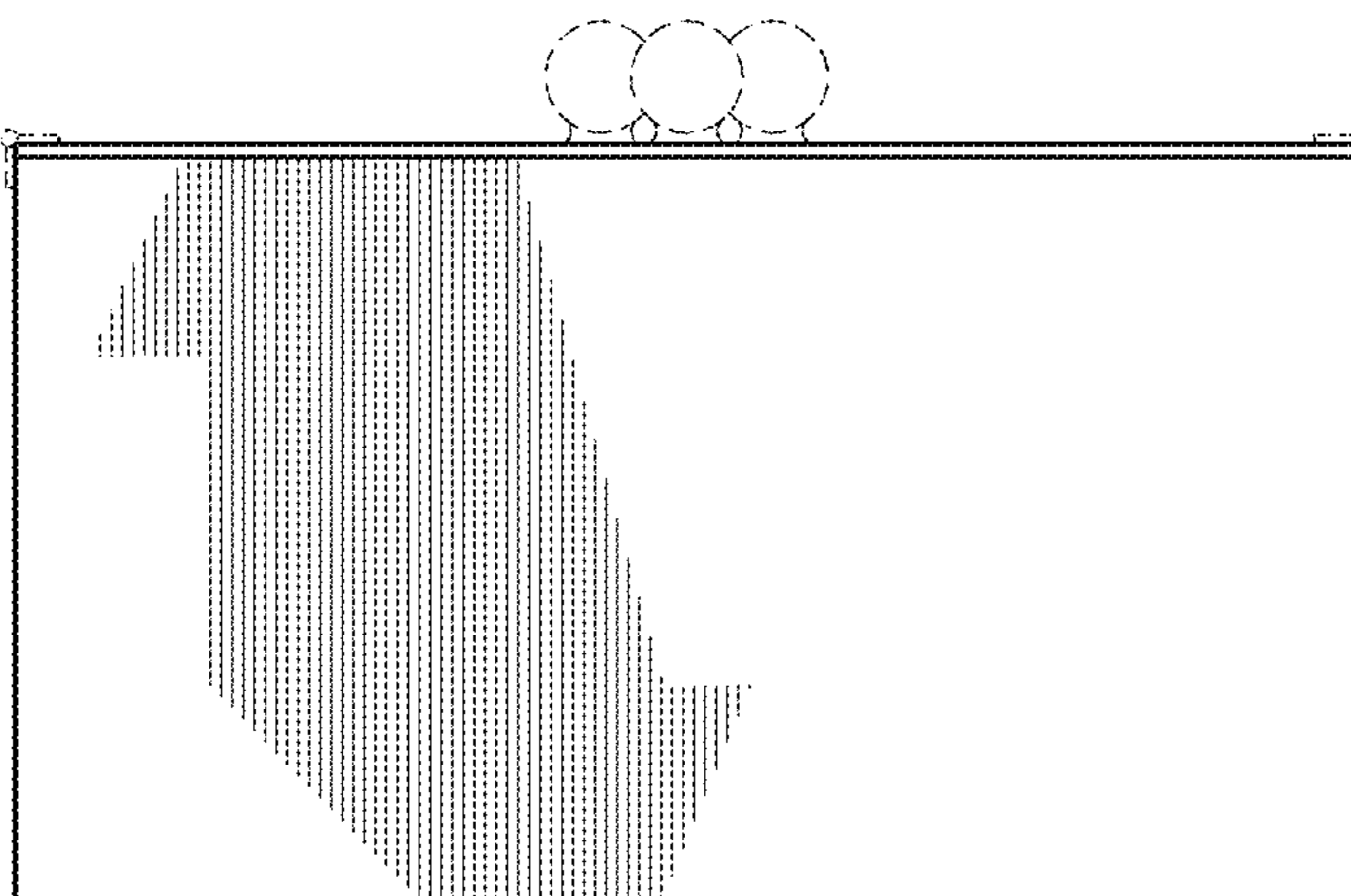


FIG. 5

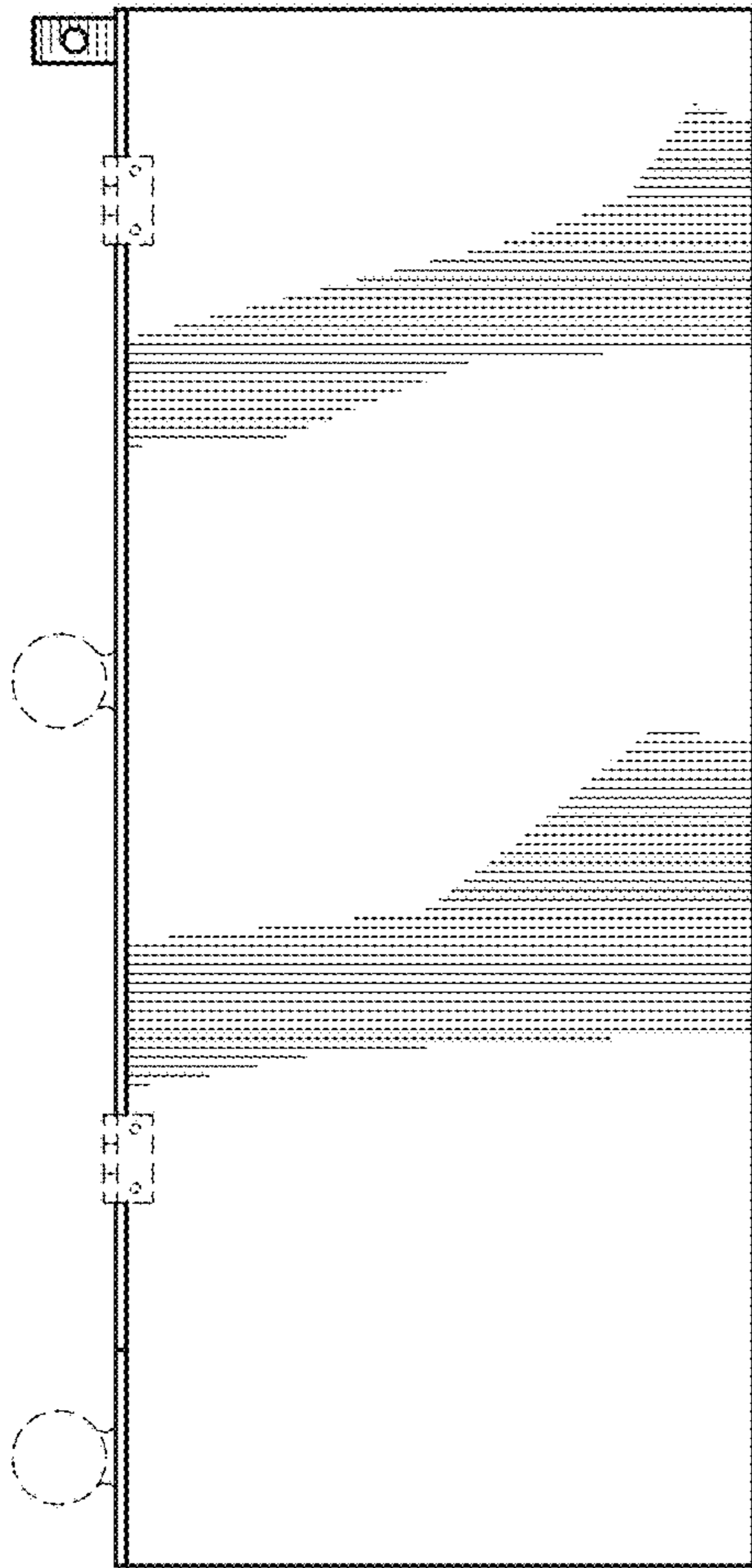


FIG. 6

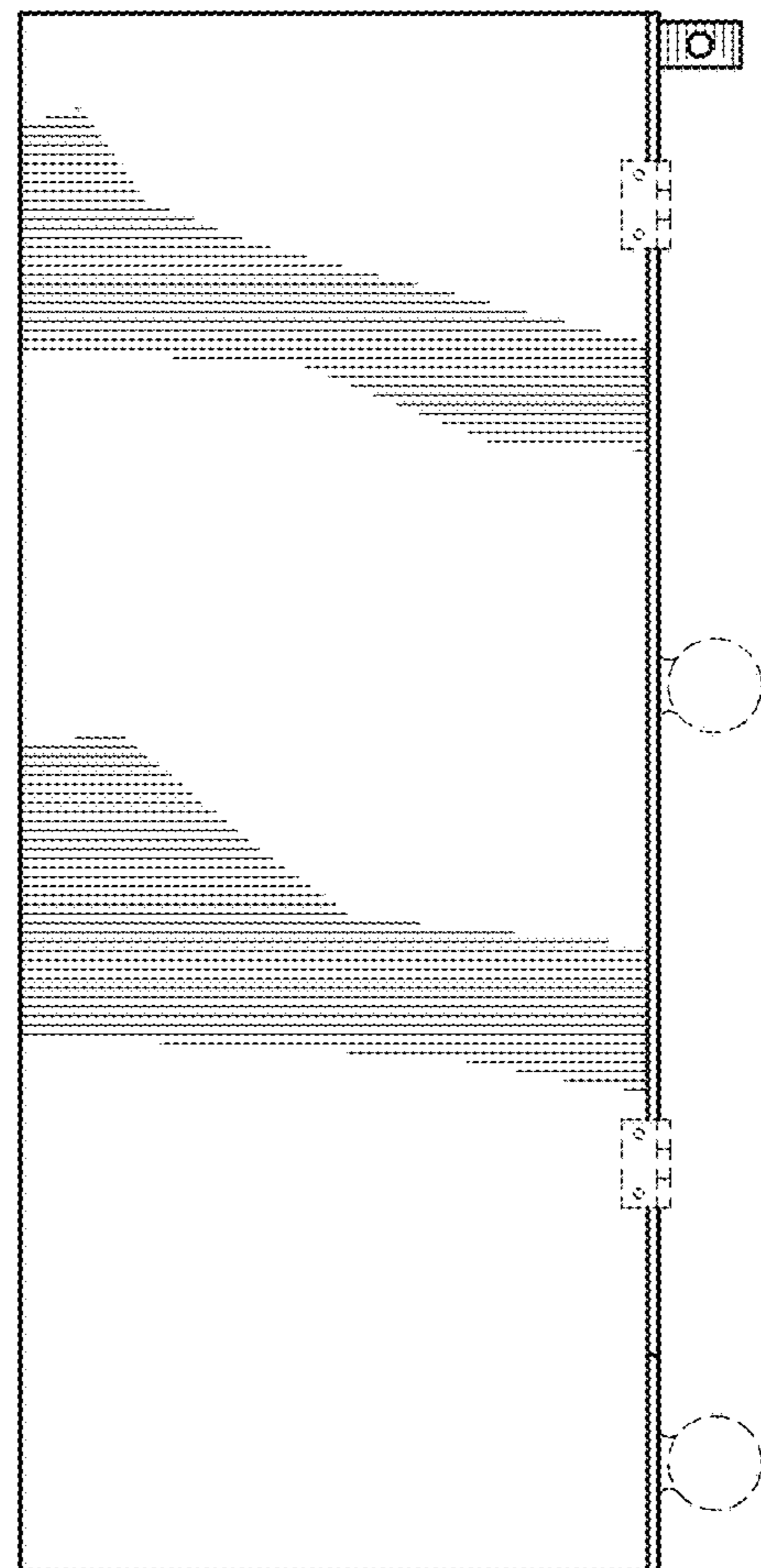


FIG. 7

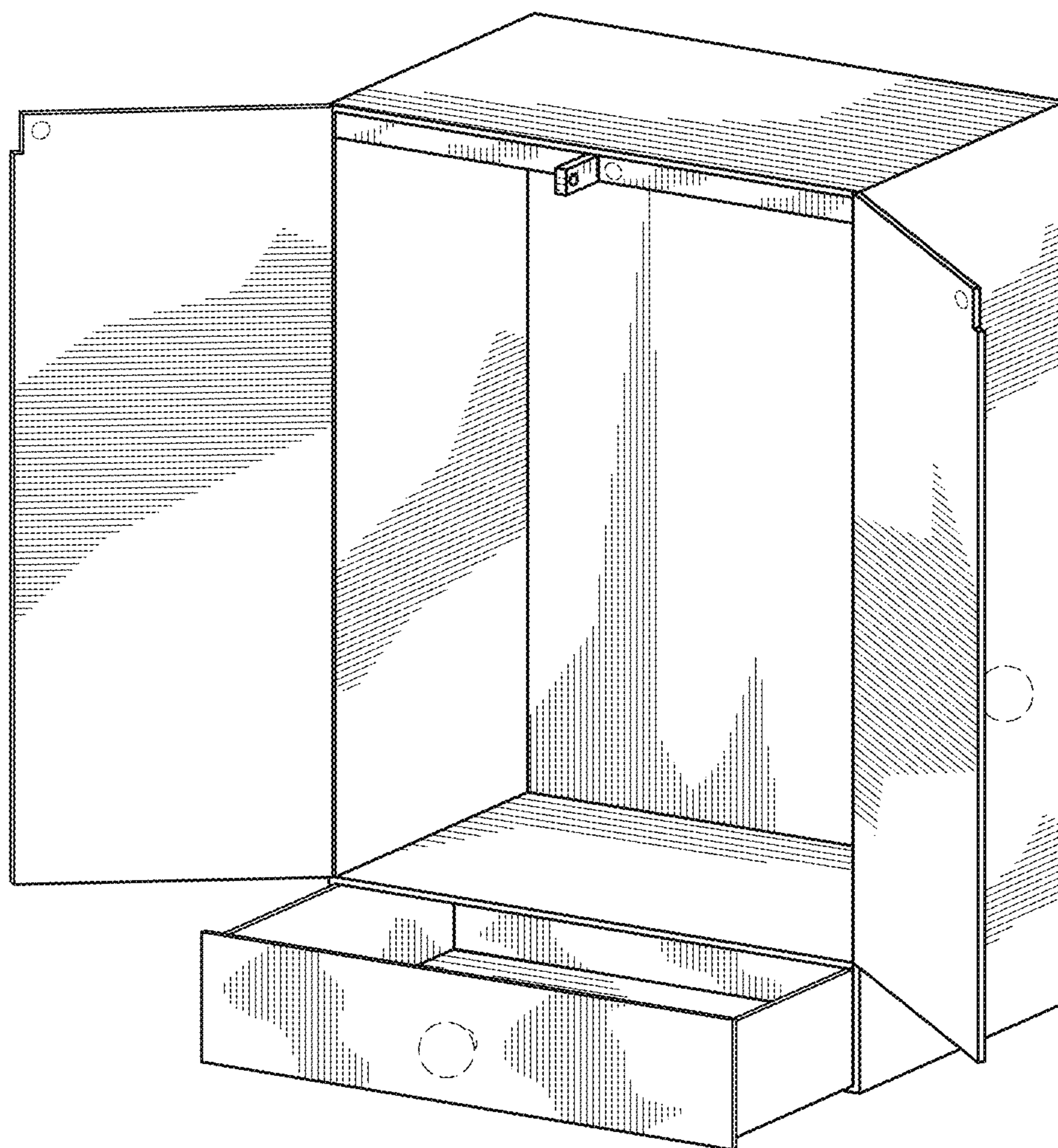


FIG. 8

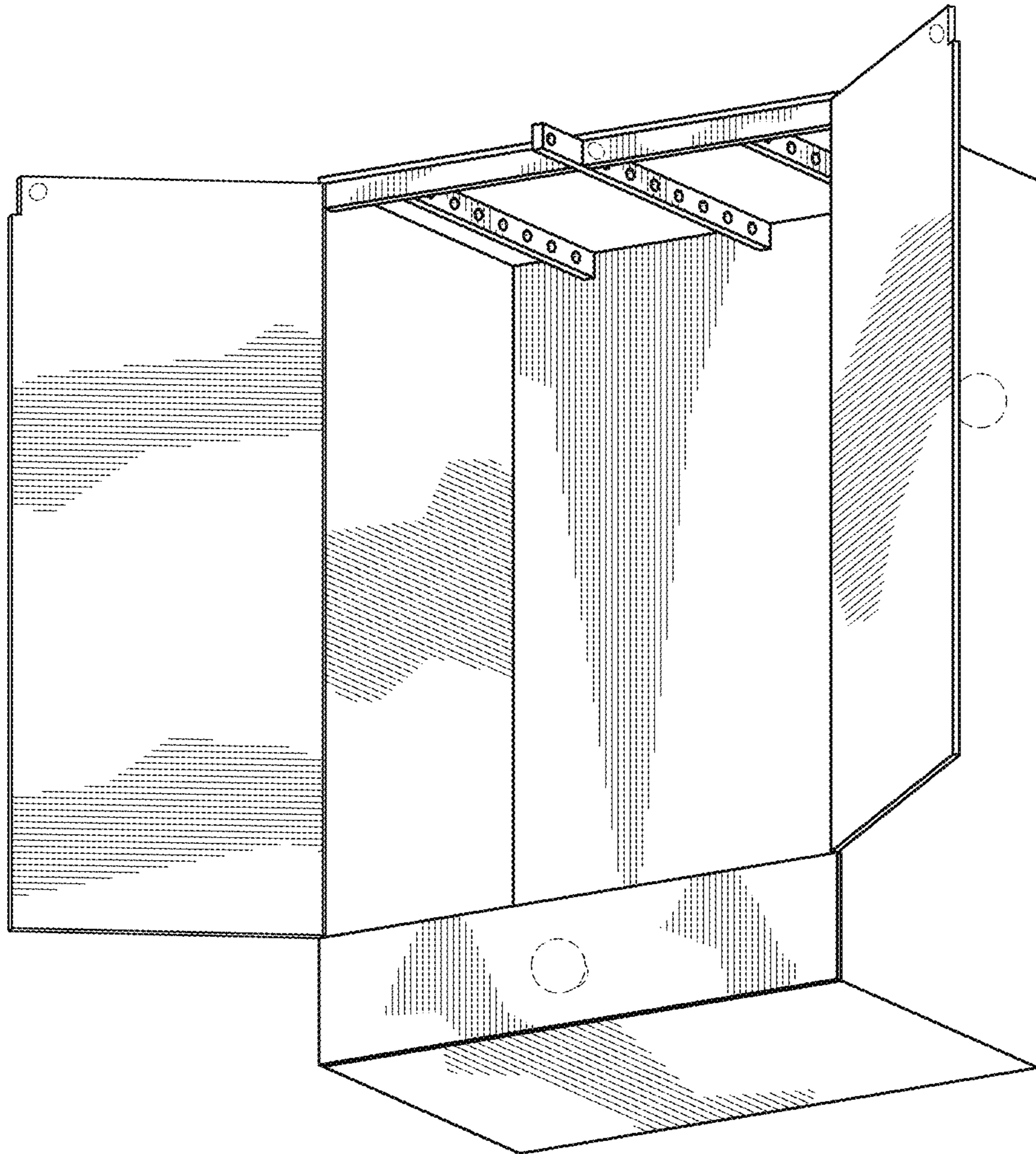


FIG. 9

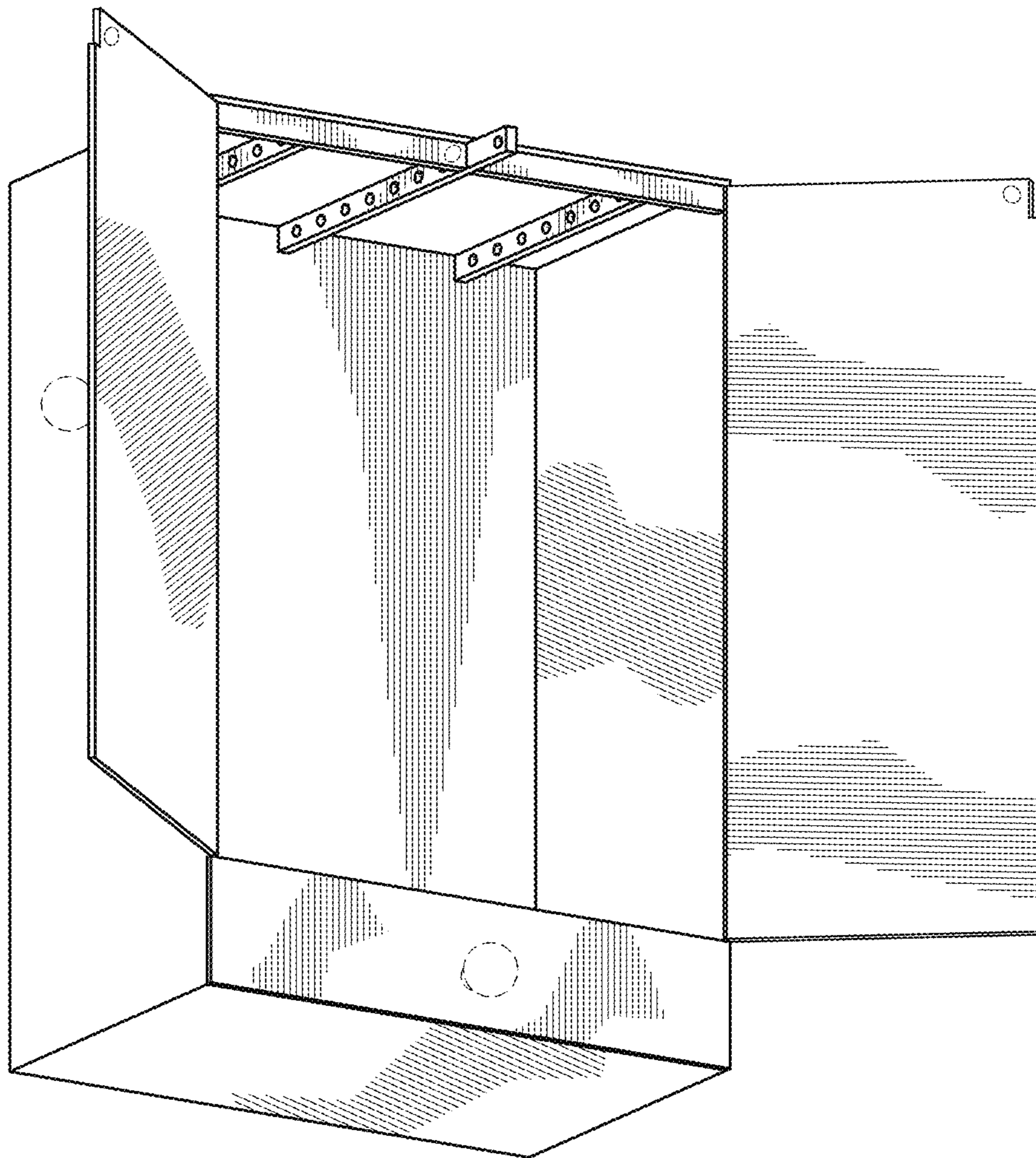


FIG. 10