



US00D797471S

(12) **United States Design Patent** (10) **Patent No.:** **US D797,471 S**  
**Knight** (45) **Date of Patent:** **\*\* Sep. 19, 2017**

(54) **MOUNT AND HOOKS**  
(71) Applicant: **Home Depot Product Authority, LLC**,  
Atlanta, GA (US)  
(72) Inventor: **Erica Knight**, Chamblee, GA (US)  
(73) Assignee: **Home Depot Product Authority, LLC**,  
Atlanta, GA (US)  
(\*\*) Term: **15 Years**  
(21) Appl. No.: **29/587,023**  
(22) Filed: **Dec. 8, 2016**

305,861 A \* 9/1884 Taylor ..... A47G 25/0607  
248/303  
670,680 A \* 3/1901 Marek ..... A47G 25/06  
248/303  
921,703 A \* 5/1909 Hubbard ..... A47G 25/0607  
248/303  
4,239,167 A \* 12/1980 Lane ..... A45C 11/04  
248/205.3  
4,372,450 A \* 2/1983 Licari ..... A47G 25/0678  
211/106.01  
D273,262 S \* 4/1984 Wolff ..... D6/567  
4,658,967 A \* 4/1987 Wang ..... A47G 25/0678  
211/182  
D324,783 S \* 3/1992 Greenhut ..... D6/323  
D351,754 S \* 10/1994 Peck ..... D6/572

(Continued)

**Related U.S. Application Data**

(62) Division of application No. 29/506,270, filed on Oct.  
14, 2014, now Pat. No. Des. 777,471.  
(51) **LOC (10) Cl.** ..... **06-04**  
(52) **U.S. Cl.**  
USPC ..... **D6/567**  
(58) **Field of Classification Search**  
USPC ..... D6/315-328, 552, 553, 566; 223/85-98;  
211/1, 10, 13.1, 30, 32, 85.3, 85.7, 87.01,  
211/113; D8/372; 248/303  
CPC ..... A47G 25/32; A47G 25/28; A47G 25/10;  
A47G 25/743; A47G 25/746; A47G  
25/36; A47G 25/0664; A47G 29/08;  
A47G 33/1246; A47G 29/00; A47F  
5/0006; A47F 7/06; A47F 5/0018; A47F  
5/08; A47F 7/19; A47F 7/0028; A47F  
5/0823; A47F 5/0815; A47F 5/0876;  
A47F 5/101

See application file for complete search history.

(56) **References Cited**

**U.S. PATENT DOCUMENTS**

257,533 A \* 5/1882 Taylor ..... A47G 25/0607  
248/303  
305,860 A \* 9/1884 Taylor ..... A47G 25/0607  
248/303

**OTHER PUBLICATIONS**

Canadian office action received in related application No. 169511,  
dated Feb. 16, 2017, one page.

*Primary Examiner* — Ian Simmons  
*Assistant Examiner* — Lauren Calve

(74) *Attorney, Agent, or Firm* — Greenberg Traurig, LLP

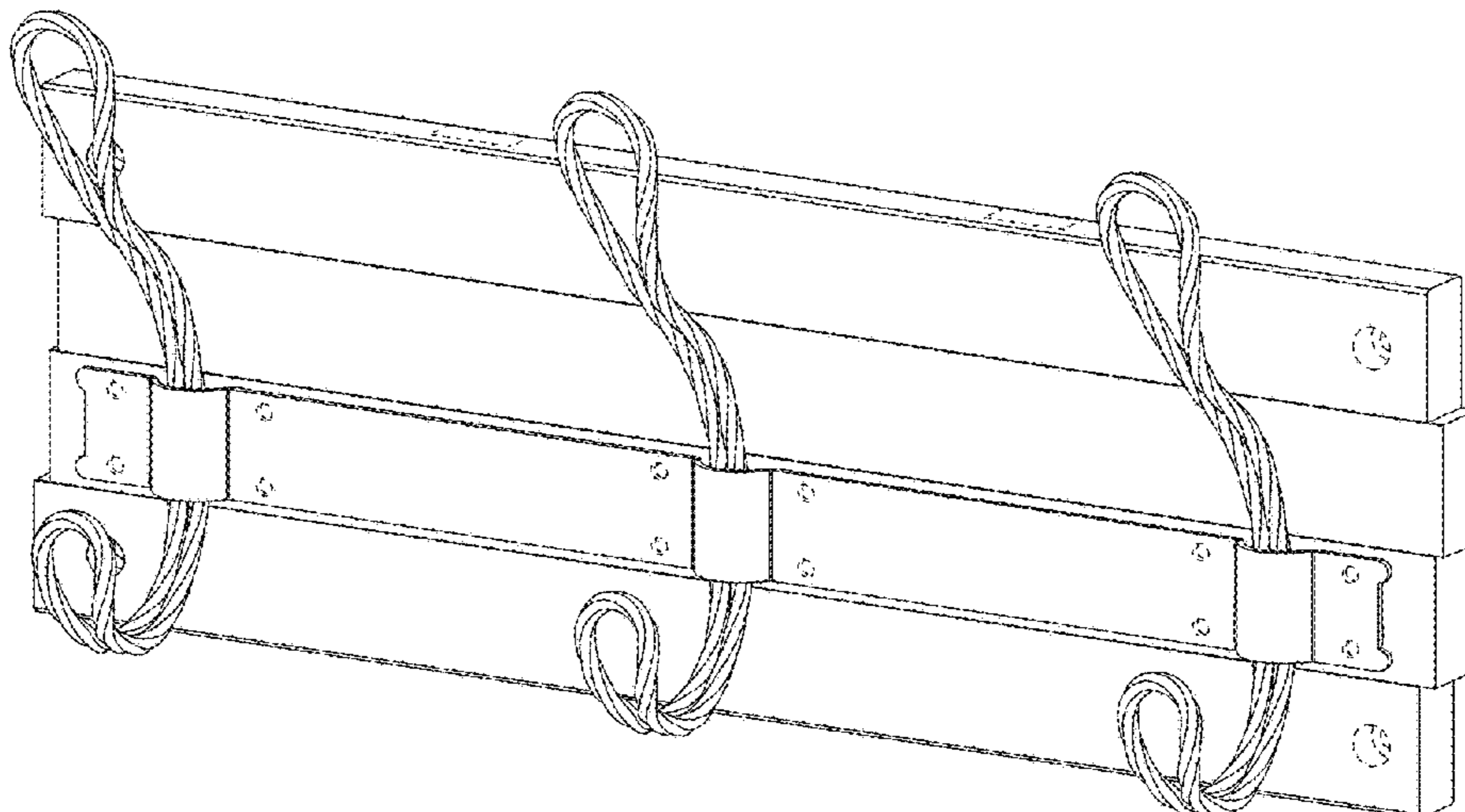
(57) **CLAIM**

The ornamental design for a mount and hooks, as shown and  
described.

**DESCRIPTION**

FIG. 1 is a perspective view of a mount and hooks showing  
my design;  
FIG. 2 is a front view thereof;  
FIG. 3 is a right side view thereof;  
FIG. 4 is a top view thereof; and,  
FIG. 5 is a bottom view thereof.  
The dashed lines shown represent unclaimed subject matter  
and form no part of the claimed design.  
The back and left side views not shown form no part of the  
claimed design.

**1 Claim, 5 Drawing Sheets**



(56)

**References Cited**

## U.S. PATENT DOCUMENTS

D364,769 S \* 12/1995 Hickman ..... D6/567  
D393,559 S \* 4/1998 Laga ..... D6/569  
6,439,404 B1 \* 8/2002 Steeg ..... A47F 5/08  
211/55  
D473,455 S \* 4/2003 Goodman ..... D6/513  
D483,593 S \* 12/2003 Knapp ..... D6/572  
D483,655 S \* 12/2003 Dretzka ..... D8/367  
7,210,660 B2 \* 5/2007 James ..... A47F 5/0823  
248/220.31  
D544,279 S \* 6/2007 Kivett ..... D6/569  
D553,960 S \* 10/2007 Schmidt ..... D8/372  
D556,025 S \* 11/2007 Kubota ..... D8/372  
D602,295 S \* 10/2009 Ferguson ..... D6/572  
D610,815 S \* 3/2010 Goodman ..... D6/320  
D651,414 S \* 1/2012 Noe ..... D6/323  
D654,737 S \* 2/2012 Guindi ..... D6/514  
D666,856 S \* 9/2012 Goodman ..... D6/566  
D666,858 S \* 9/2012 Goodman ..... D6/566  
D666,859 S \* 9/2012 Goodman ..... D6/566  
D751,371 S \* 3/2016 Pan ..... D8/372  
D777,471 S \* 1/2017 Knight ..... D6/567

\* cited by examiner

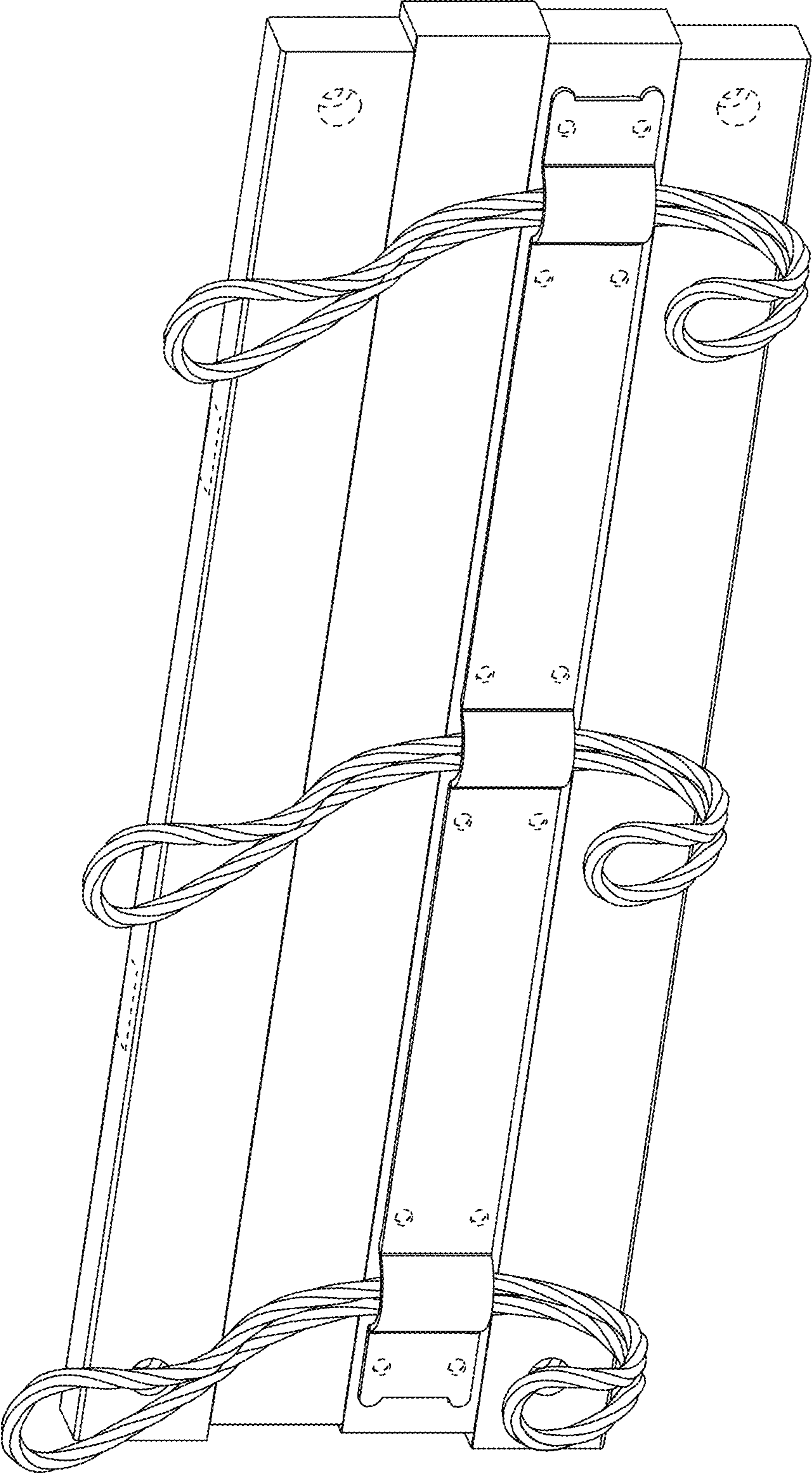


FIG. 1

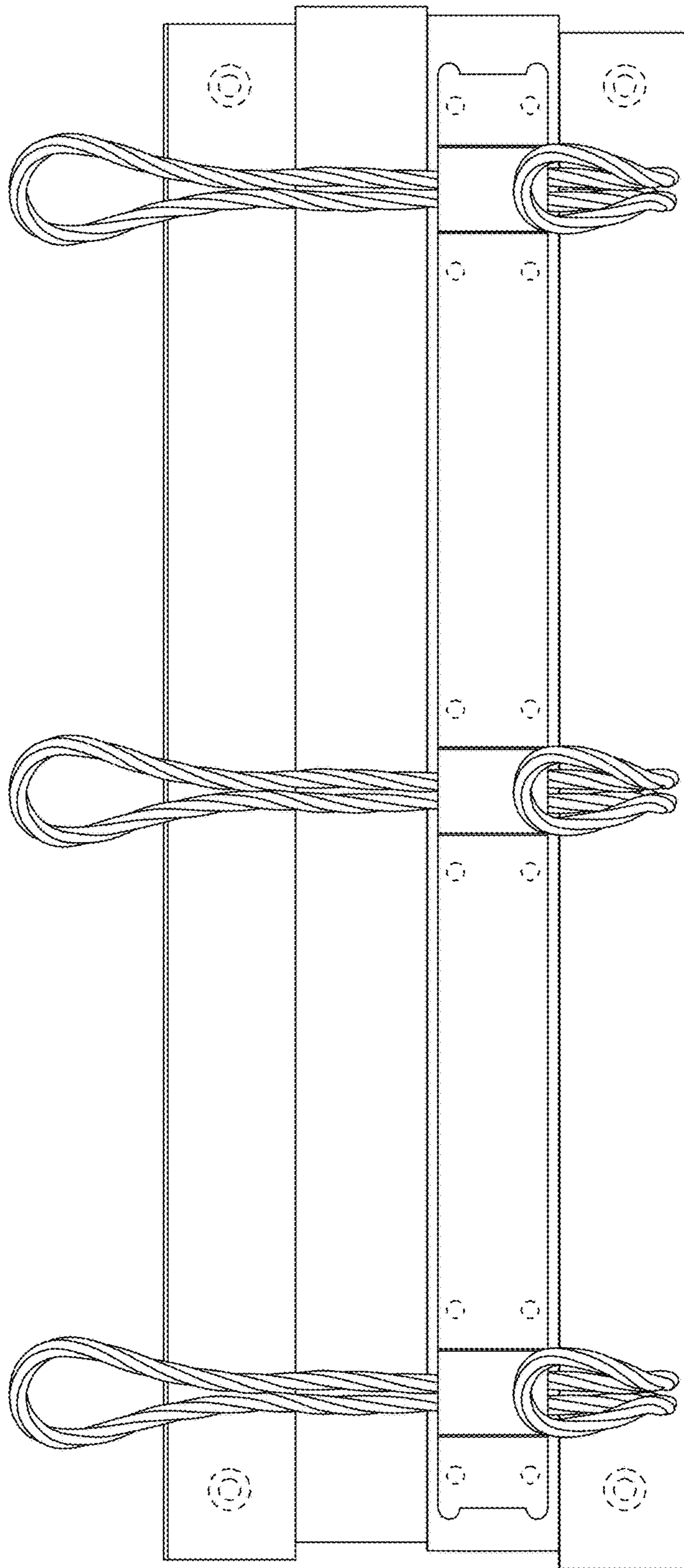


FIG. 2

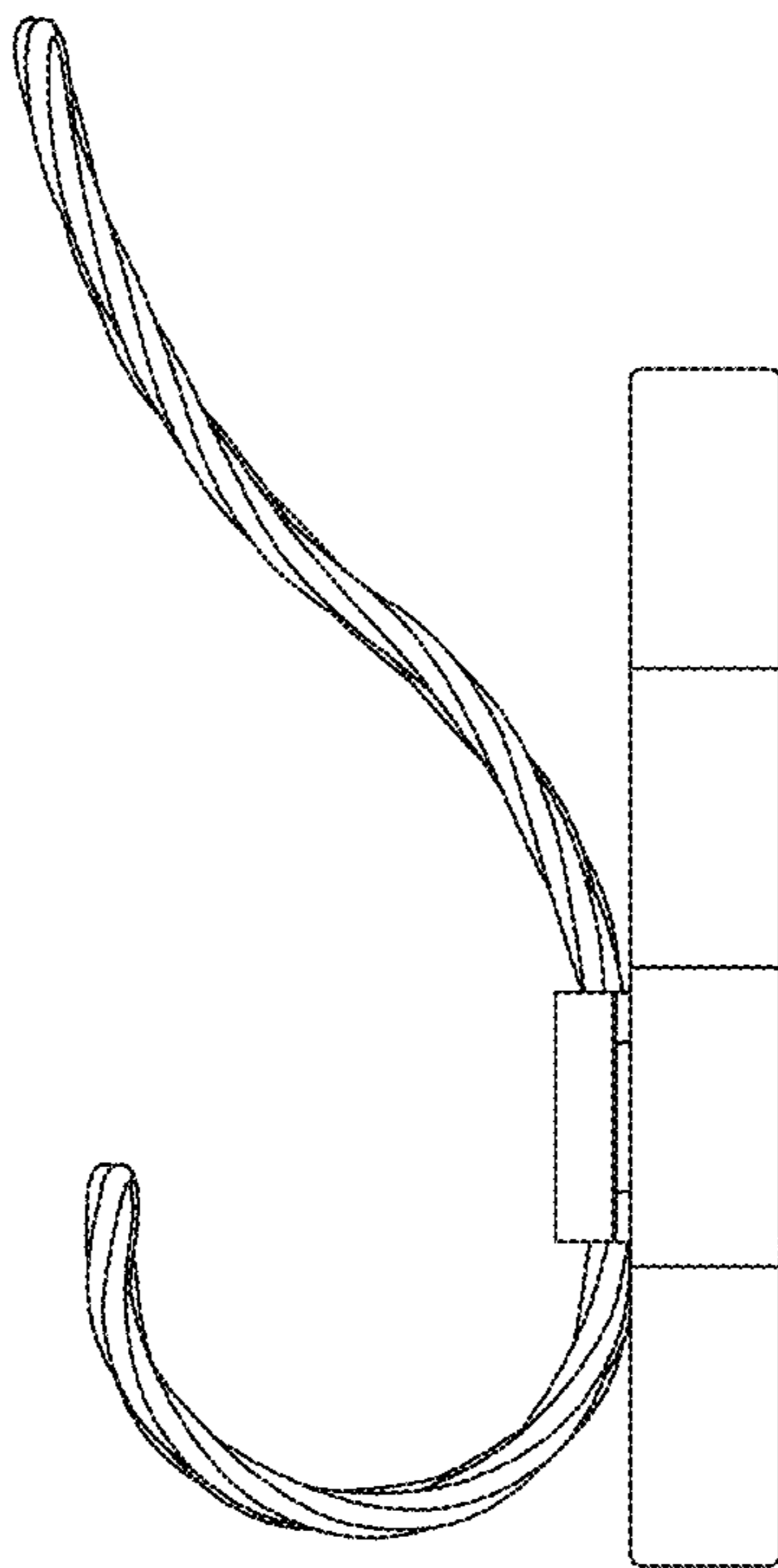


FIG. 3

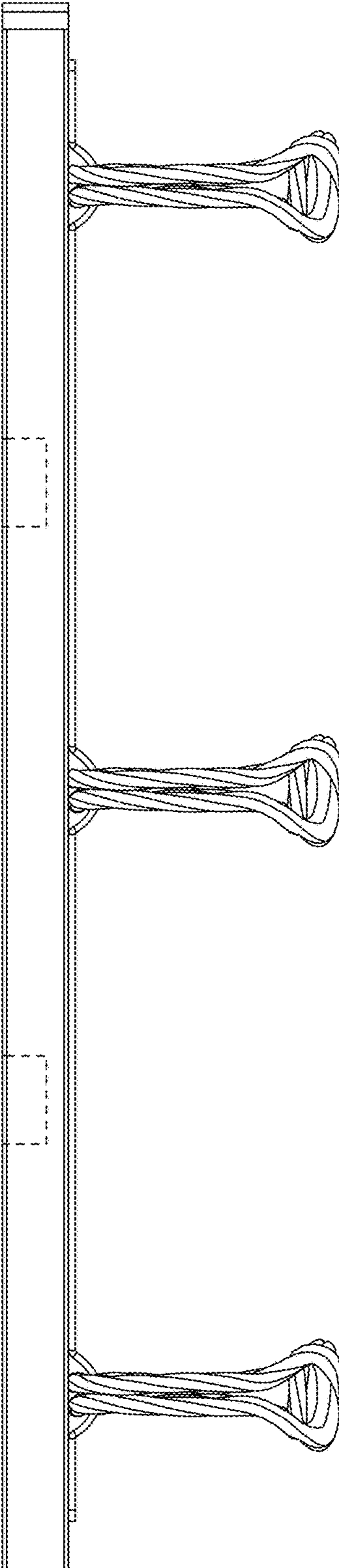


FIG. 4

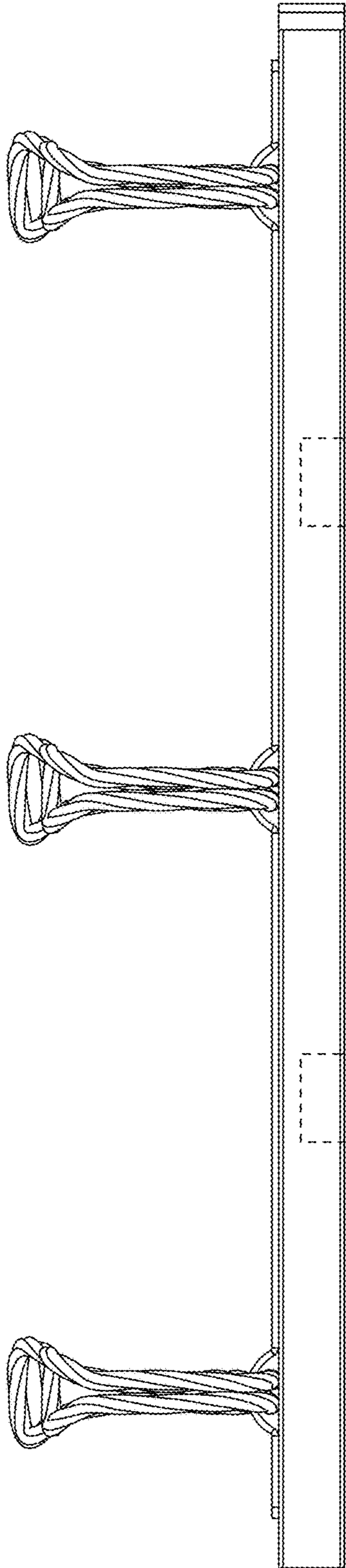


FIG. 5