



US00D797470S

(12) **United States Design Patent** (10) **Patent No.:** **US D797,470 S**
Knight (45) **Date of Patent:** **** Sep. 19, 2017**

(54) **MOUNT** 305,861 A * 9/1884 Taylor A47G 25/0607
248/303
(71) Applicant: **Home Depot Product Authority, LLC,** 670,680 A * 3/1901 Marek A47G 25/06
Atlanta, GA (US) 248/303
921,703 A * 5/1909 Hubbard A47G 25/0607
(72) Inventor: **Erica Knight,** Chamblee, GA (US) 248/303
4,239,167 A * 12/1980 Lane A45C 11/04
(73) Assignee: **Home Depot Product Authority, LLC,** 4,372,450 A * 2/1983 Licari A47G 25/0678
Atlanta, GA (US) 211/106.01
(**) Term: **15 Years** D273,262 S * 4/1984 Wolff D6/567
4,658,967 A * 4/1987 Wang A47G 25/0678
(21) Appl. No.: **29/587,022** 211/182
D324,783 S * 3/1992 Greenhut D6/323
(22) Filed: **Dec. 8, 2016** D351,754 S * 10/1994 Peck D6/572
(Continued)

Related U.S. Application Data

(62) Division of application No. 29/506,270, filed on Oct. 14, 2014, now Pat. No. Des. 777,471.
(51) **LOC (10) Cl.** **06-04**
(52) **U.S. Cl.**
USPC **D6/567**; D6/553
(58) **Field of Classification Search**
USPC D6/315-328, 552, 553, 566; 223/85-98;
211/1, 10, 13.1, 30, 32, 85.3, 85.7, 87.01,
211/113; D8/372; 248/303
CPC A47G 25/32; A47G 25/28; A47G 25/10;
A47G 25/743; A47G 25/746; A47G
25/36; A47G 25/0664; A47G 29/08;
A47G 33/1246; A47G 29/00; A47F
5/0006; A47F 7/06; A47F 5/0018; A47F
5/08; A47F 7/19; A47F 7/0028; A47F
5/0823; A47F 5/0815; A47F 5/0876;
A47F 5/101
See application file for complete search history.

References Cited

U.S. PATENT DOCUMENTS

257,533 A * 5/1882 Taylor A47G 25/0607
248/303
305,860 A * 9/1884 Taylor A47G 25/0607
248/303

OTHER PUBLICATIONS

Canadian office action received in related application No. 169511, dated Feb. 16, 2017, one page.

Primary Examiner — Ian Simmons
Assistant Examiner — Lauren Calve
(74) *Attorney, Agent, or Firm* — Greenberg Traurig, LLP

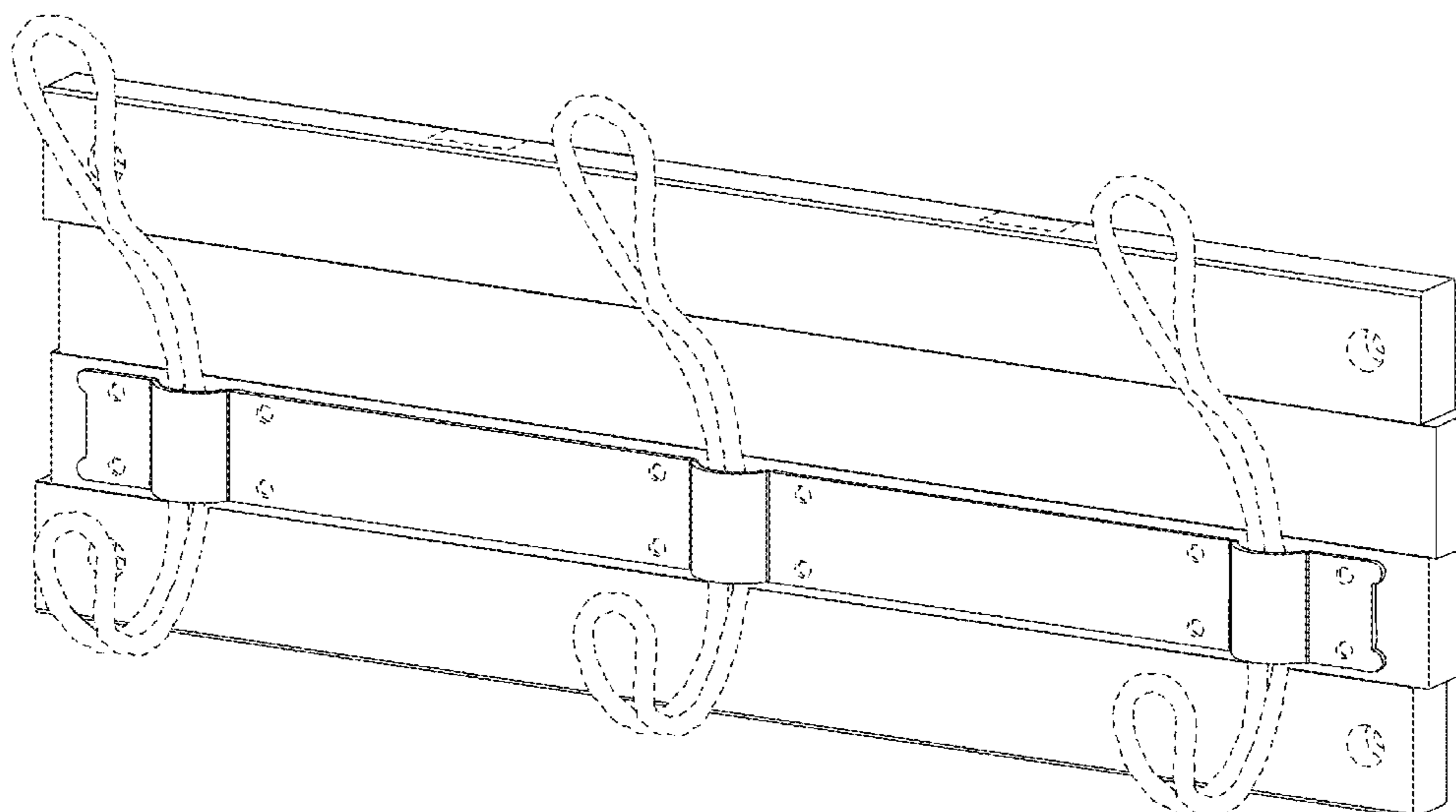
CLAIM

(57) The ornamental design for a mount, as shown and described.

DESCRIPTION

FIG. 1 is a perspective view of a mount showing my design; FIG. 2 is a front view thereof; FIG. 3 is a right side view thereof; FIG. 4 is a top view thereof; and, FIG. 5 is a bottom view thereof. The dashed lines shown represent unclaimed subject matter and form no part of the claimed design. The back and left side views not shown form no part of the claimed design.

1 Claim, 5 Drawing Sheets



(56)

References Cited

U.S. PATENT DOCUMENTS

D364,769	S *	12/1995	Hickman	D6/567
D393,559	S *	4/1998	Laga	D6/569
6,439,404	B1 *	8/2002	Steeg	A47F 5/08
					211/55
D473,455	S *	4/2003	Goodman	D6/513
D483,593	S *	12/2003	Knapp	D6/572
D483,655	S *	12/2003	Dretzka	D8/367
7,210,660	B2 *	5/2007	James	A47F 5/0823
					248/220.31
D544,279	S *	6/2007	Kivett	D6/569
D553,960	S *	10/2007	Schmidt	D8/372
D556,025	S *	11/2007	Kubota	D8/372
D602,295	S *	10/2009	Ferguson	D6/572
D610,815	S *	3/2010	Goodman	D6/320
D651,414	S *	1/2012	Noe	D6/323
D654,737	S *	2/2012	Guindi	D6/514
D666,856	S *	9/2012	Goodman	D6/566
D666,858	S *	9/2012	Goodman	D6/566
D666,859	S *	9/2012	Goodman	D6/566
D751,371	S *	3/2016	Pan	D8/372
D777,471	S *	1/2017	Knight	D6/567

* cited by examiner

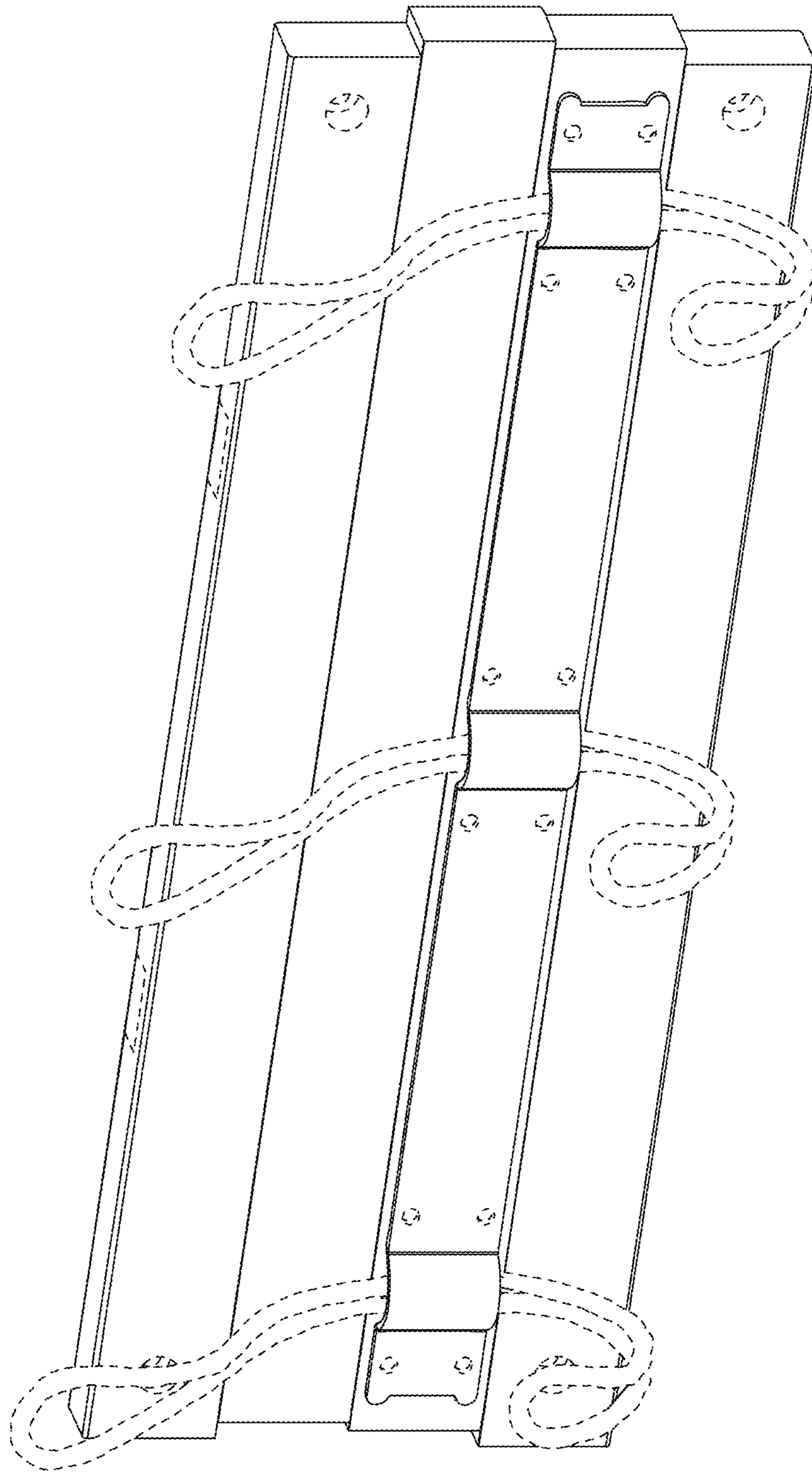


FIG. 1

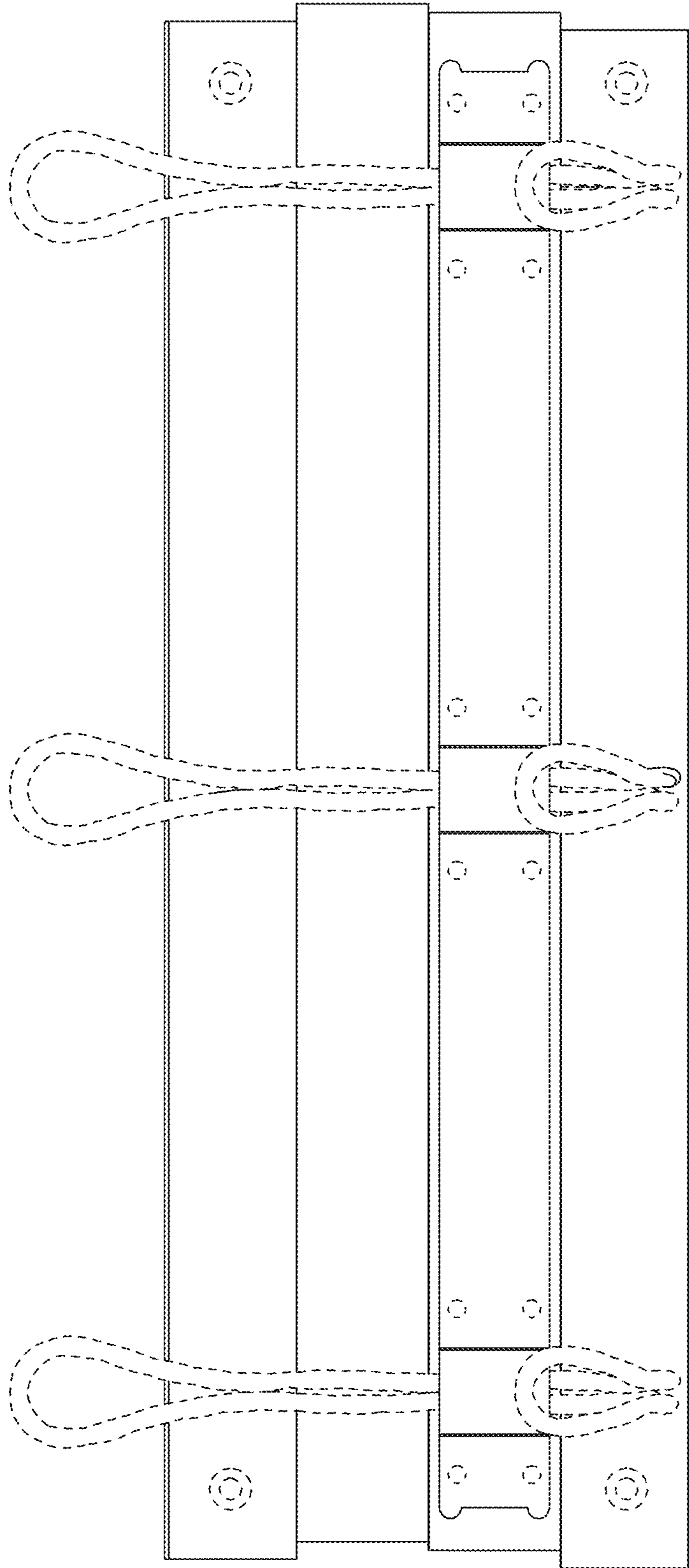


FIG. 2

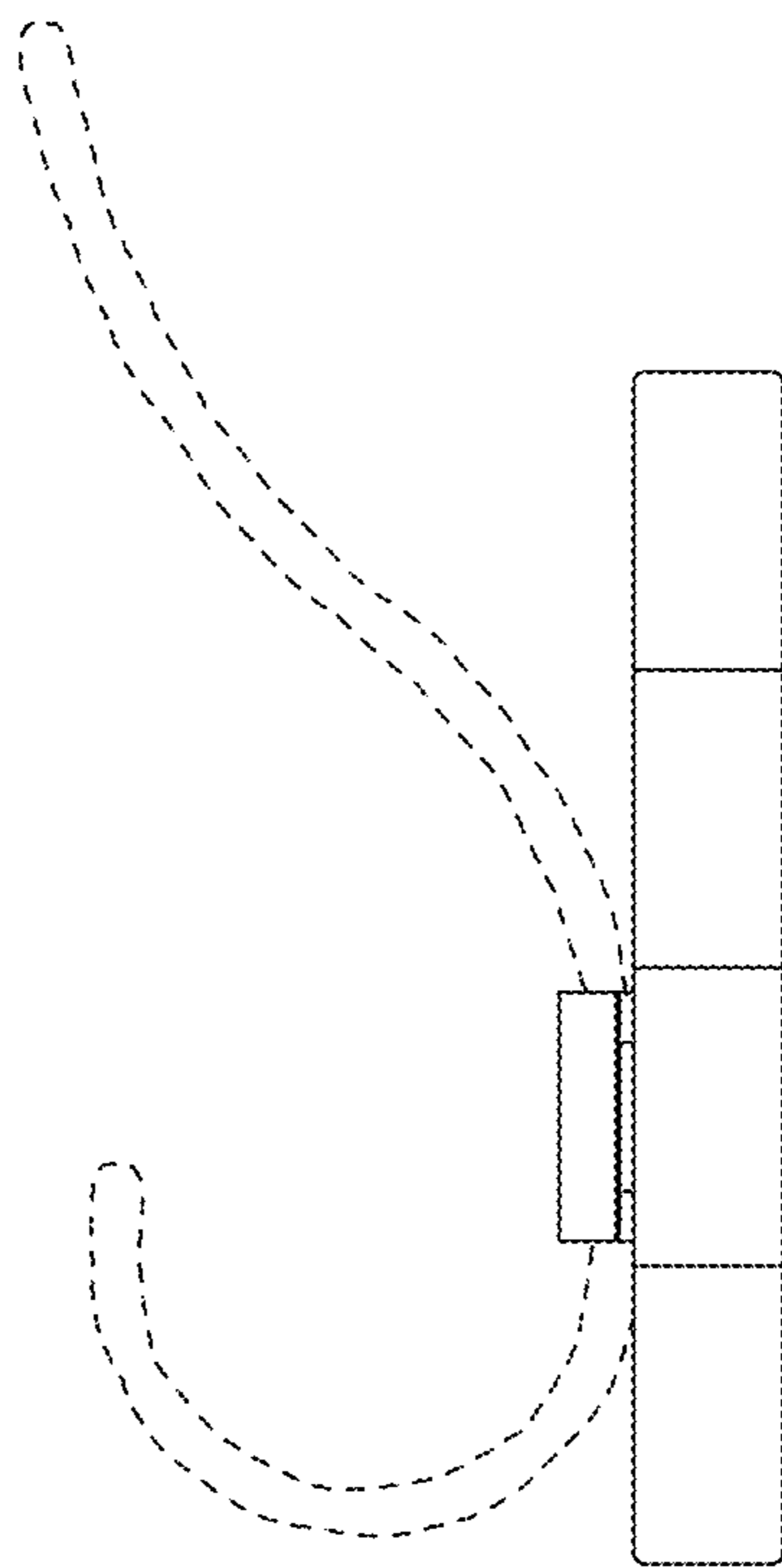


FIG. 3

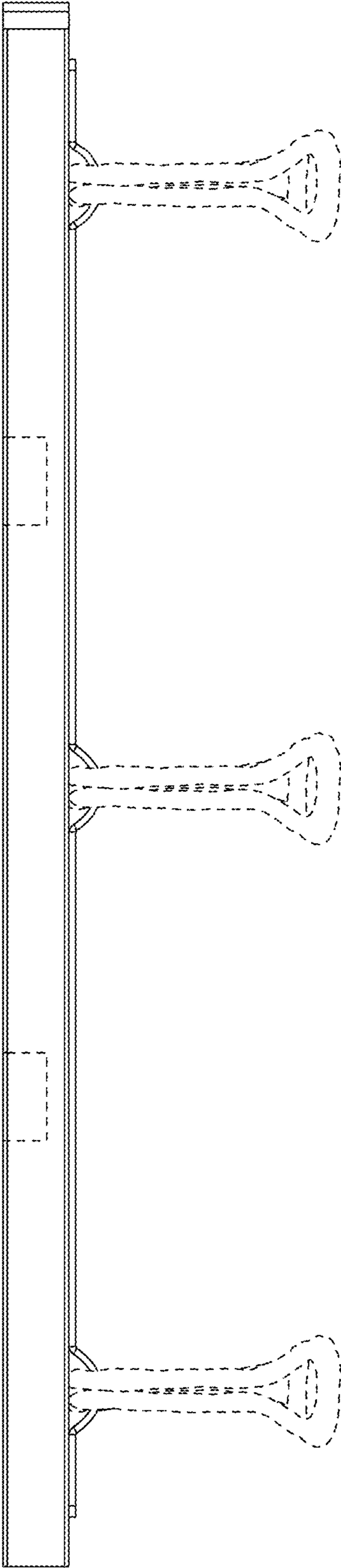


FIG. 4

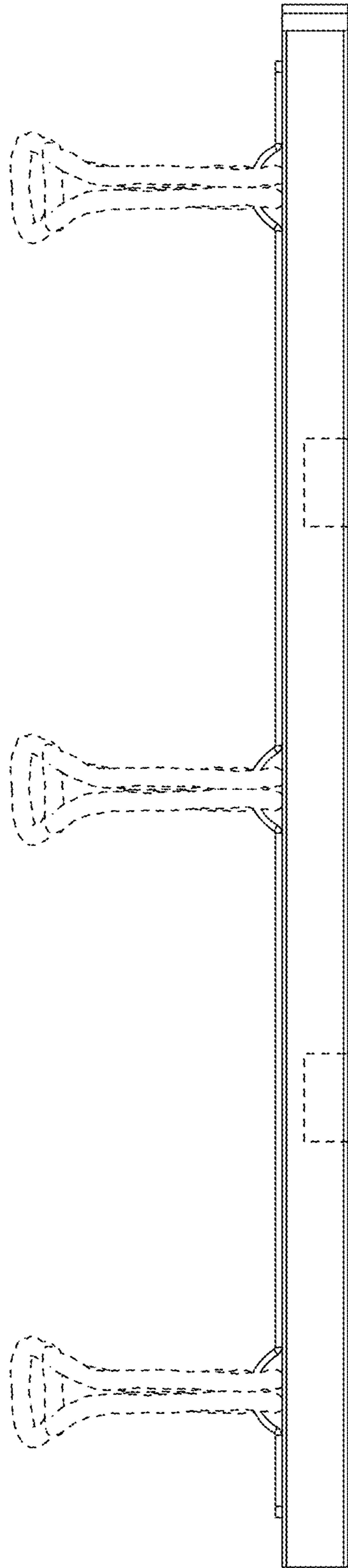


FIG. 5