



US00D797468S

(12) **United States Design Patent** (10) **Patent No.:** **US D797,468 S**  
**Andrew** (45) **Date of Patent:** **\*\* Sep. 19, 2017**

(54) **TISSUE HOLDER**

(71) Applicant: **DELTA FAUCET COMPANY,**  
Indianapolis, IN (US)

(72) Inventor: **Mercedita Andrew,** Indianapolis, IN  
(US)

(73) Assignee: **DELTA FAUCET COMPANY,**  
Indianapolis, IN (US)

(\*\*) Term: **15 Years**

(21) Appl. No.: **29/577,762**

(22) Filed: **Sep. 15, 2016**

(51) **LOC (10) Cl.** ..... **06-04**

(52) **U.S. Cl.**  
USPC ..... **D6/540**

(58) **Field of Classification Search**  
USPC ..... D6/540, 518-523, 546, 549; 206/389;  
242/520, 555, 595, 597; 211/123, 124;  
248/309.1, 309.2  
CPC ..... A47K 10/12; A47K 10/38; A47K 10/22;  
A47K 10/40; A47K 2010/3233; A47K  
2010/3863

See application file for complete search history.

(56) **References Cited**

U.S. PATENT DOCUMENTS

D486,332 S \* 2/2004 Hoernig ..... D6/520  
D696,042 S \* 12/2013 Starck ..... D6/520

\* cited by examiner

*Primary Examiner* — Wan Laymon

*Assistant Examiner* — Mark Booker

(74) *Attorney, Agent, or Firm* — Edgar A. Zarins; Nirav  
D. Parikh

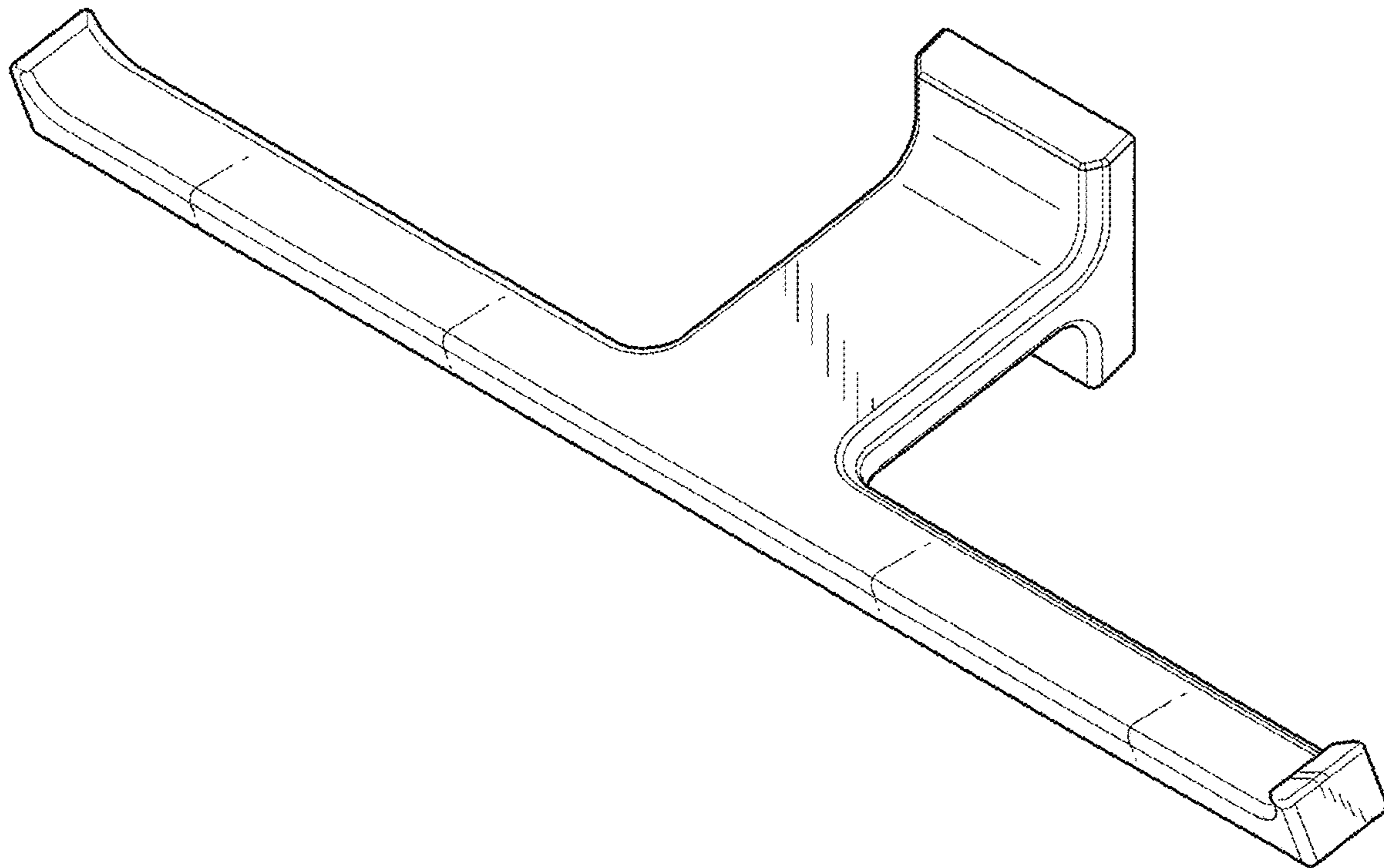
(57) **CLAIM**

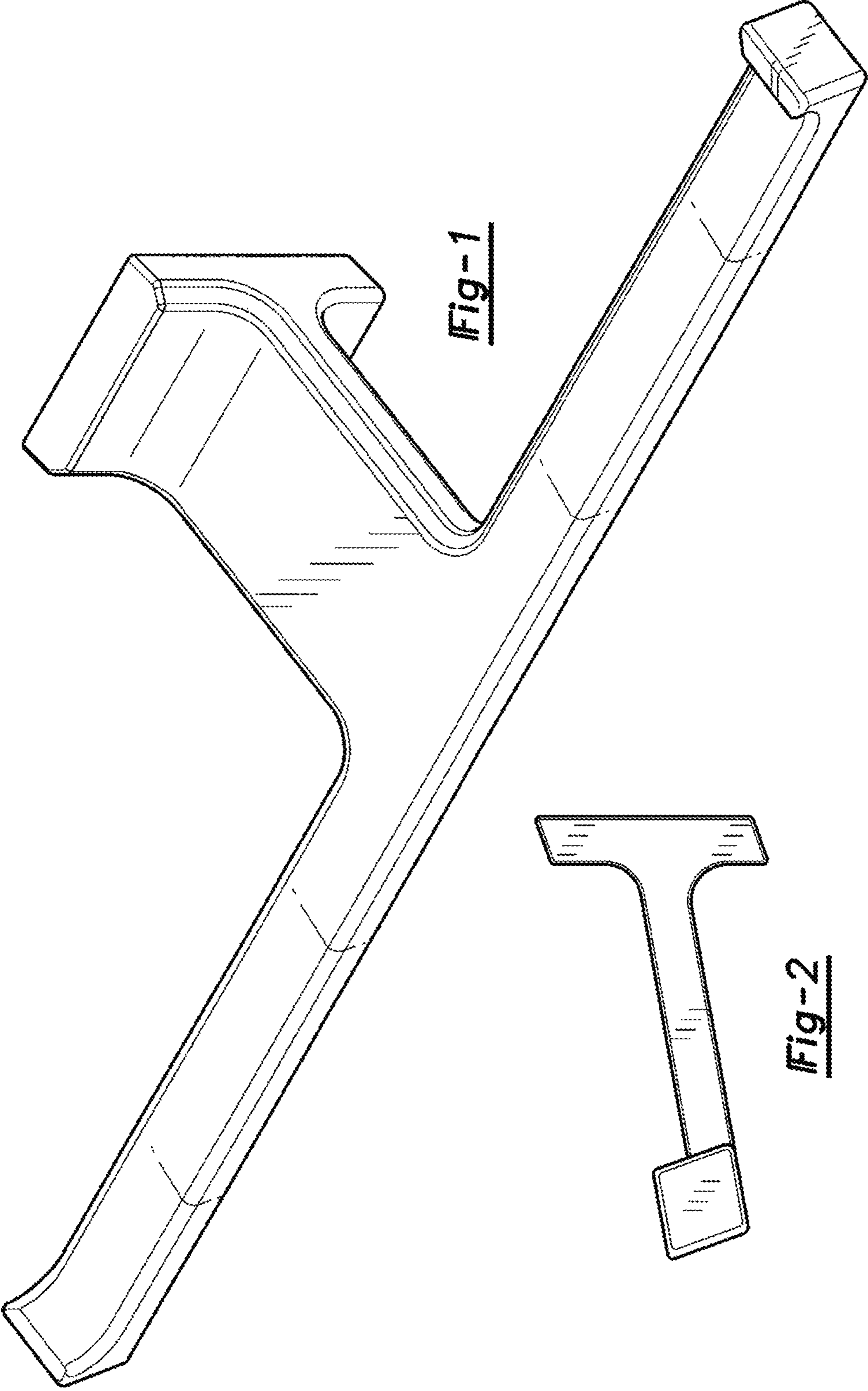
The ornamental design for a tissue holder, as shown and  
described.

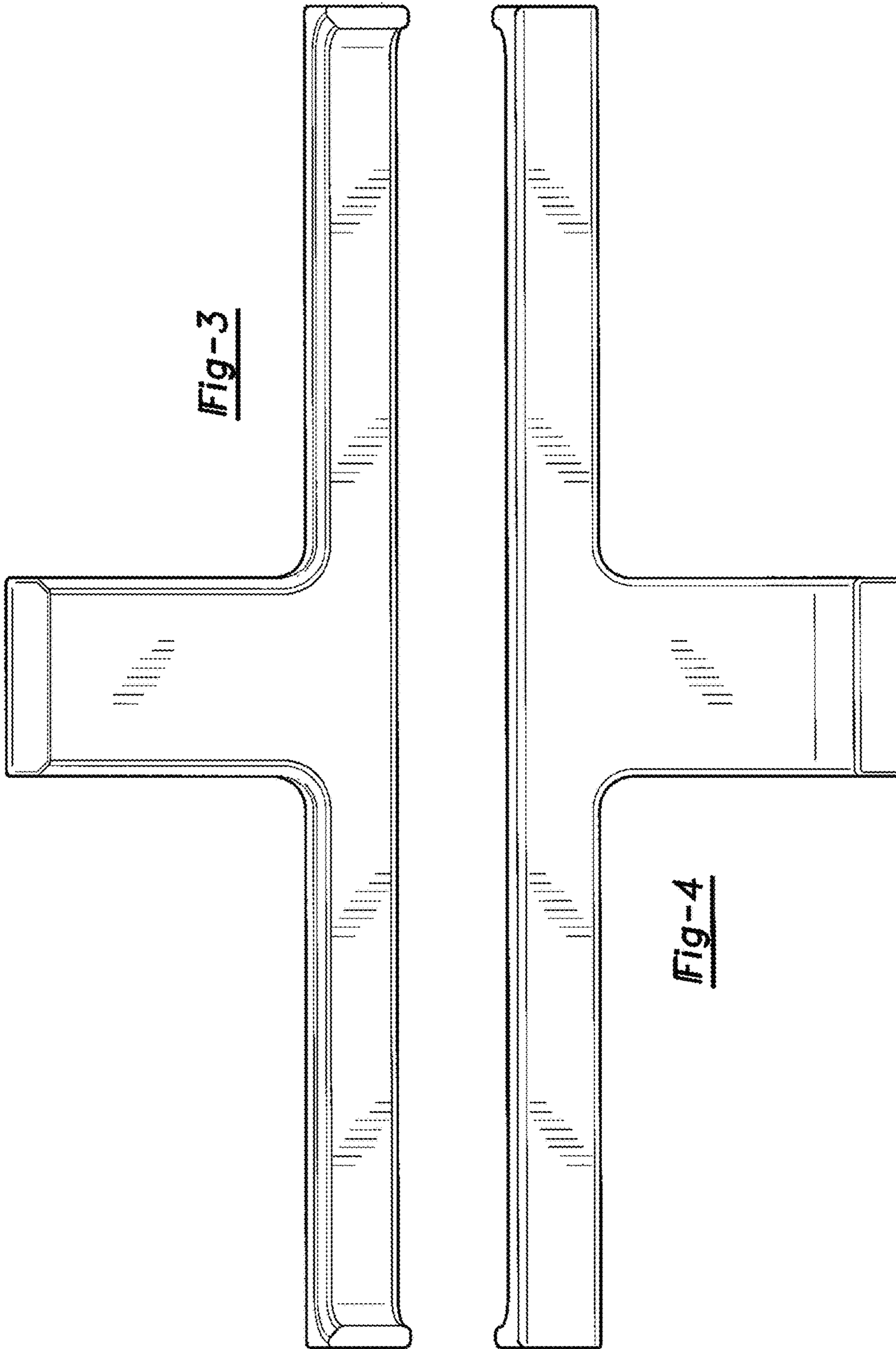
**DESCRIPTION**

FIG. 1 is a perspective view of a tissue holder showing my  
new design;  
FIG. 2 is a left end view thereof, the opposite end being a  
mirror image of the end shown;  
FIG. 3 is a top plan view thereof;  
FIG. 4 is a bottom view thereof;  
FIG. 5 is a rear view thereof; and,  
FIG. 6 is a front elevational view thereof.  
The broken line showing in the figures is included for the  
purpose of illustrating portions of the tissue holder and  
forms no part of the claimed design.

**1 Claim, 3 Drawing Sheets**







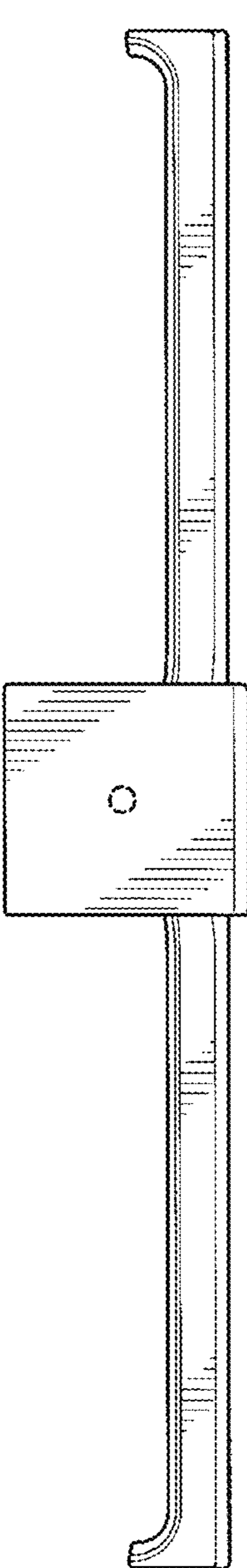


Fig-5

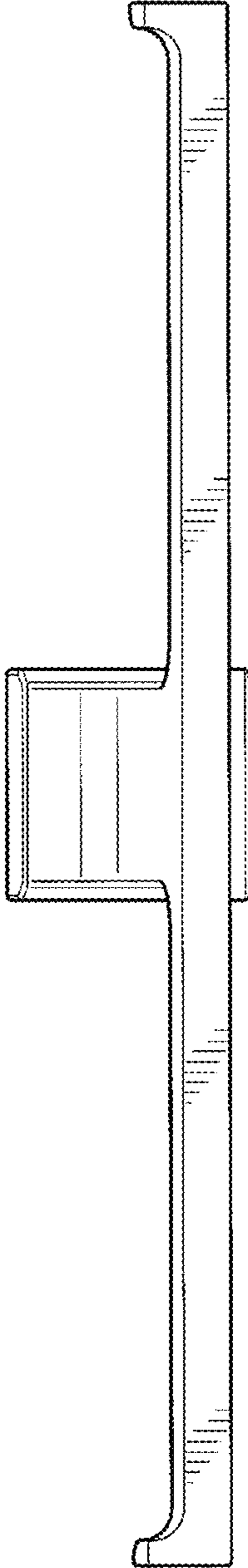


Fig-6