



US00D797467S

(12) **United States Design Patent** (10) **Patent No.:** **US D797,467 S**
Andrew (45) **Date of Patent:** **** Sep. 19, 2017**

(54) **TISSUE HOLDER**

(71) Applicant: **DELTA FAUCET COMPANY,**
Indianapolis, IN (US)

(72) Inventor: **Mercedita Andrew,** Indianapolis, IN
(US)

(73) Assignee: **DELTA FAUCET COMPANY,**
Indianapolis, IN (US)

(**) Term: **15 Years**

(21) Appl. No.: **29/577,758**

(22) Filed: **Sep. 15, 2016**

(51) **LOC (10) Cl.** **06-04**

(52) **U.S. Cl.**
USPC **D6/540**

(58) **Field of Classification Search**
USPC D6/518-523, 546, 549; 206/389;
242/520, 555, 595, 597; 211/123, 124;
248/309.1, 309.2
CPC A47K 10/12; A47K 10/38; A47K 10/22;
A47K 10/40; A47K 2010/3233; A47K
2010/3863

See application file for complete search history.

(56) **References Cited**

U.S. PATENT DOCUMENTS

D471,748 S * 3/2003 Moore D6/523
D484,341 S * 12/2003 Hill D6/521
D766,613 S * 9/2016 Citterio D6/523
D771,405 S * 11/2016 Garland D6/523

* cited by examiner

Primary Examiner — Wan Laymon

Assistant Examiner — Mark Booker

(74) *Attorney, Agent, or Firm* — Edgar A. Zarins; Nirav
D. Parikh

(57) **CLAIM**

The ornamental design for a tissue holder, as shown and
described.

DESCRIPTION

FIG. 1 is a perspective view of a tissue holder showing my
new design;

FIG. 2 is a top plan view thereof;

FIG. 3 is a front elevational view thereof;

FIG. 4 is a left side view thereof; and,

FIG. 5 is a right side view thereof.

1 Claim, 2 Drawing Sheets

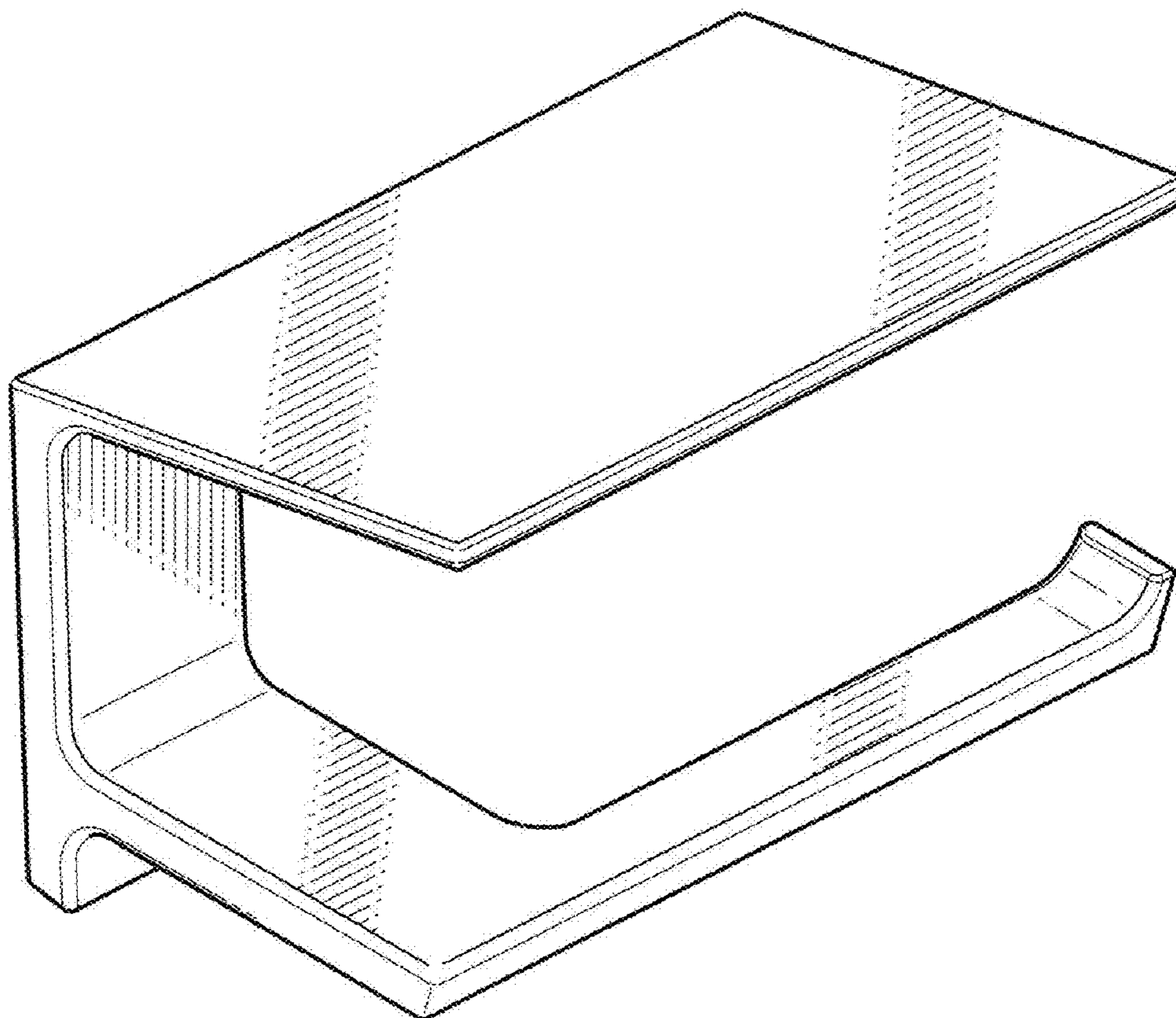


Fig-1

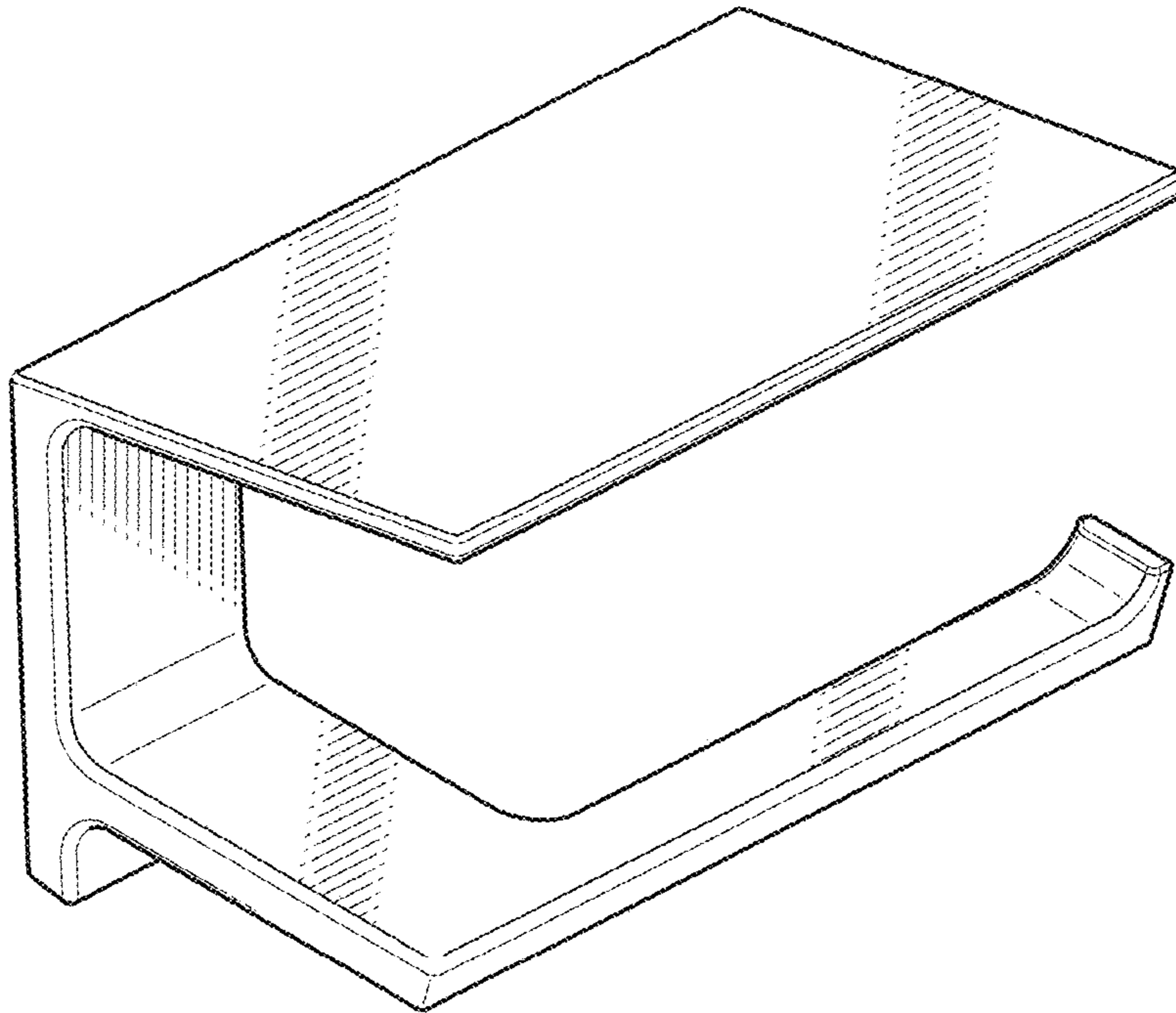


Fig-2

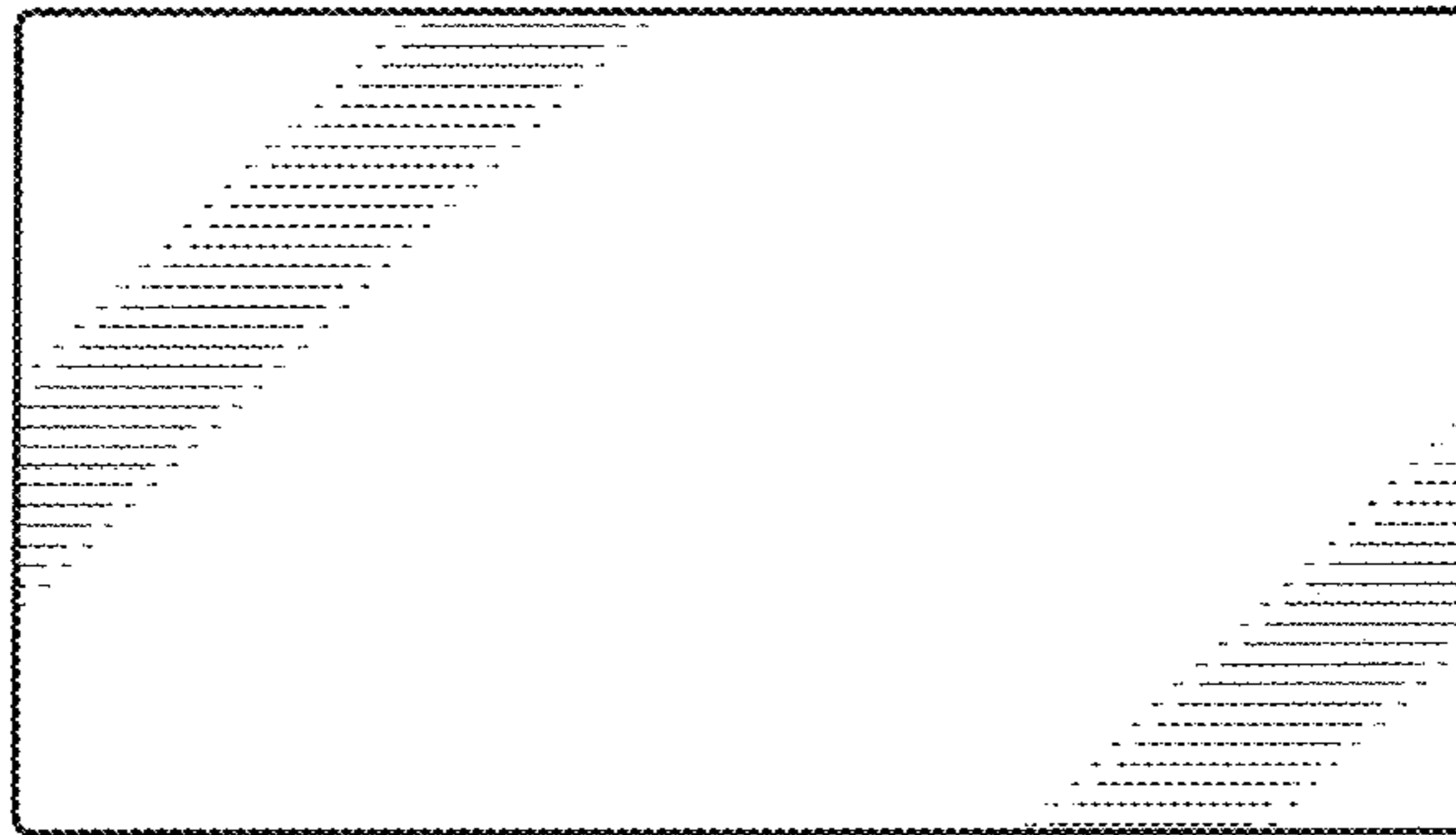
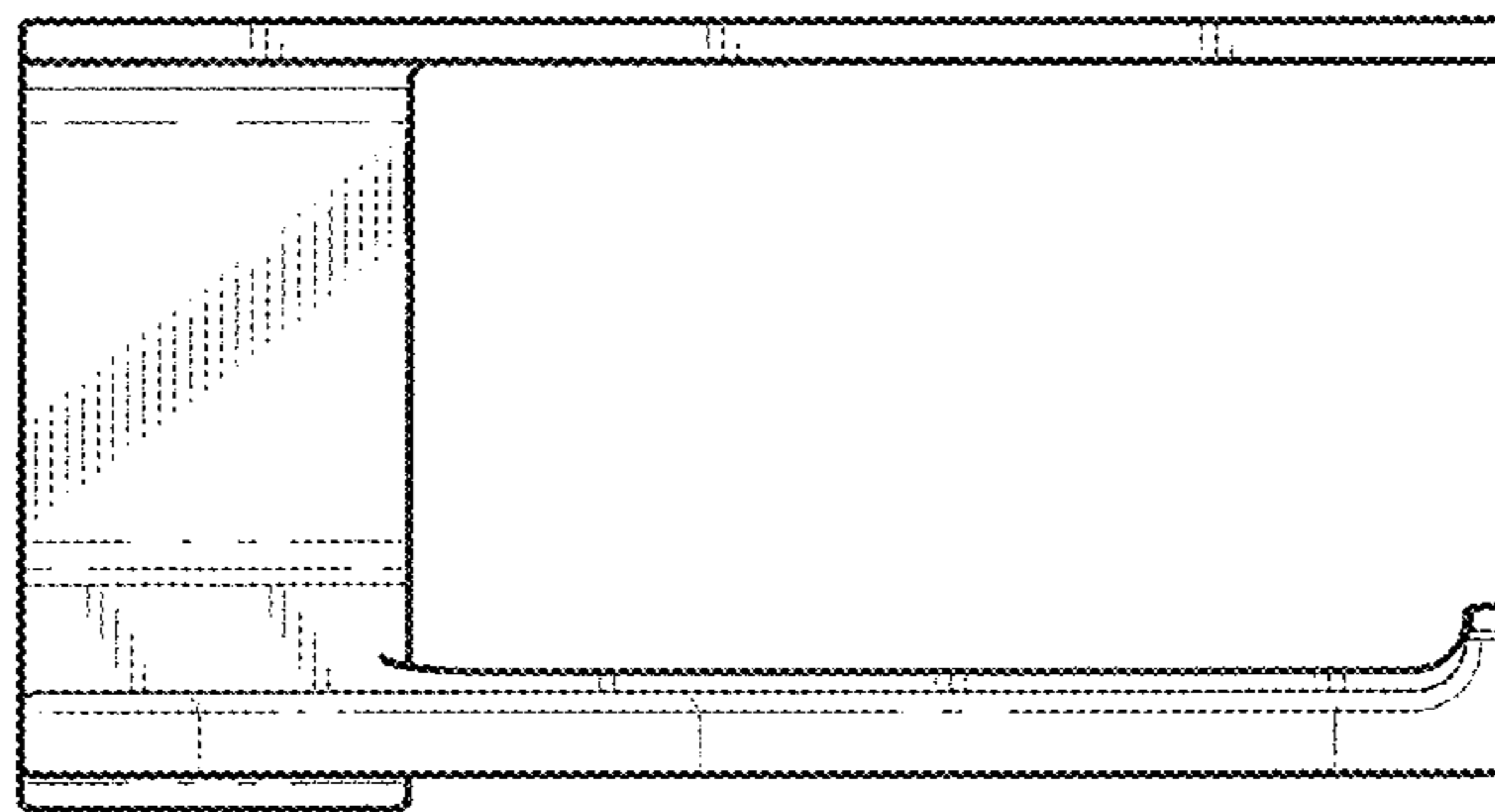


Fig-3



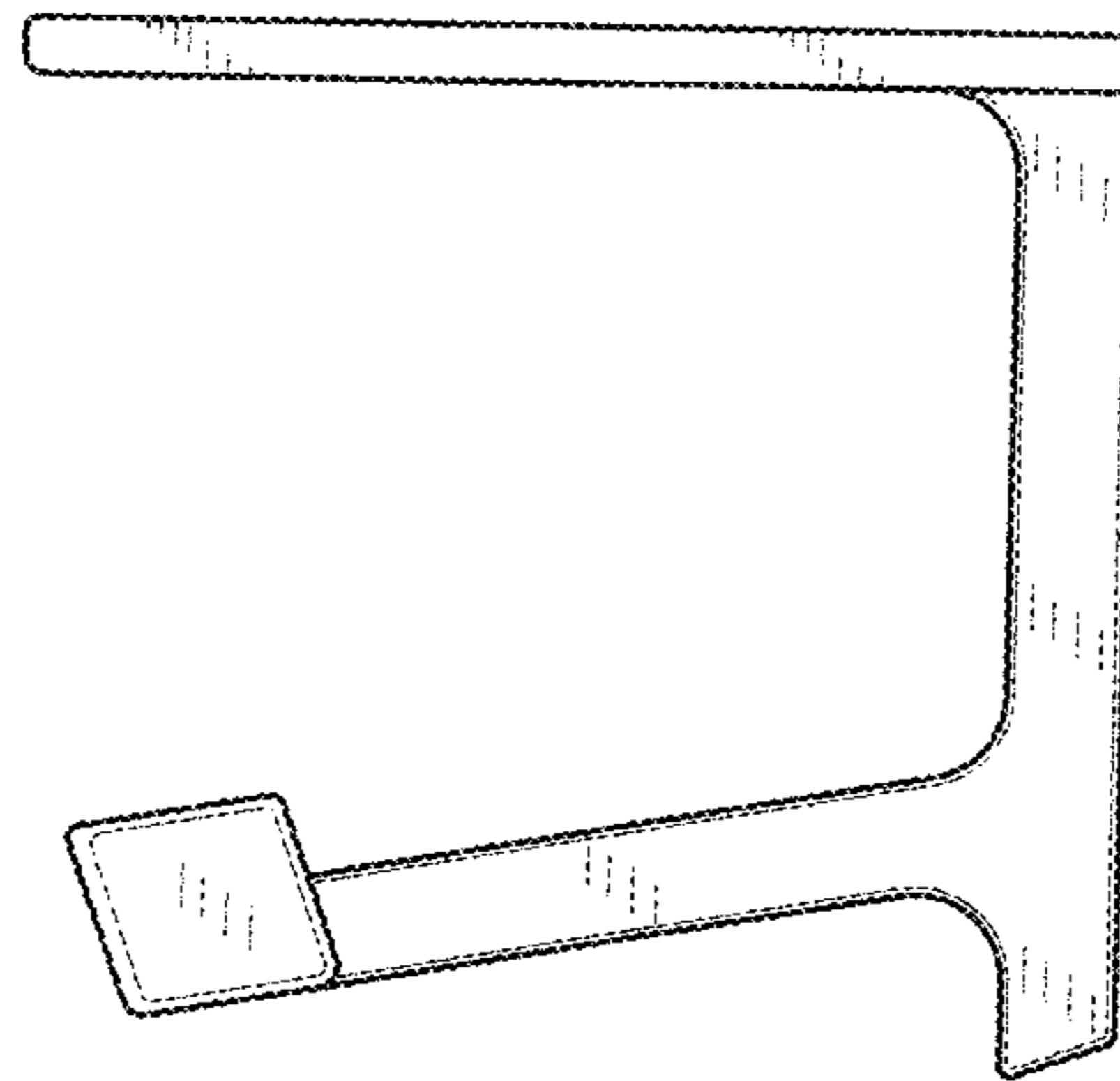


Fig-4

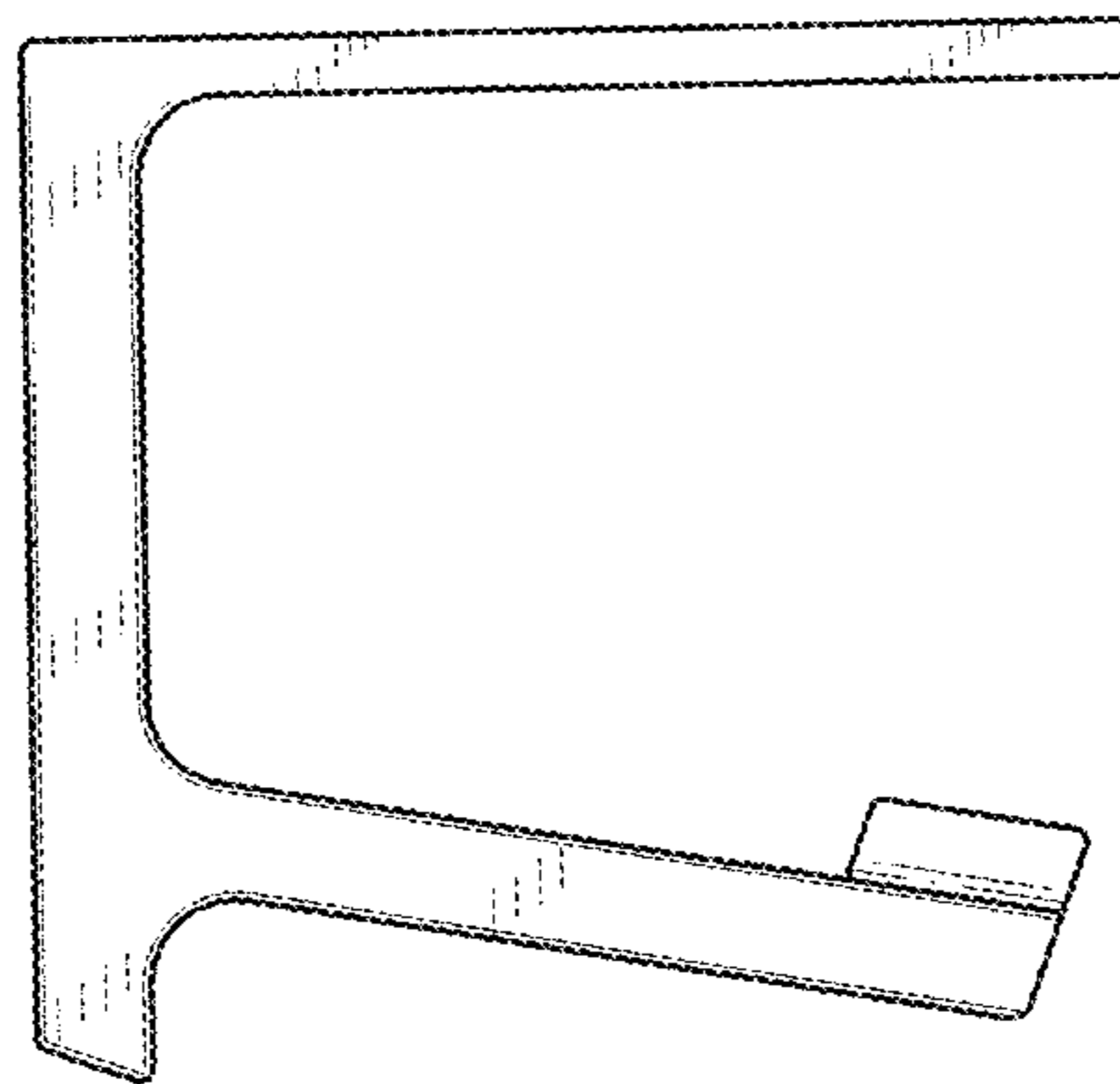


Fig-5