



US00D797466S

(12) **United States Design Patent** (10) **Patent No.:** **US D797,466 S**
Zioni (45) **Date of Patent:** **** Sep. 19, 2017**

(54) **TOILET STOOL FOOT REST**

(71) Applicant: **Yaniv Zioni**, Los Angeles, CA (US)

(72) Inventor: **Yaniv Zioni**, Los Angeles, CA (US)

(**) Term: **15 Years**

(21) Appl. No.: **29/577,942**

(22) Filed: **Sep. 16, 2016**

(51) **LOC (10) Cl.** **06-01**

(52) **U.S. Cl.**
USPC **D6/353**

(58) **Field of Classification Search**
USPC D6/334, 349-355, 363, 360, 368, 374,
D6/403, 405, 657, 675.4, 685, 688.17,
D6/690, 691.9, 693-693.3, 695, 708,
D6/708.15-708.25, 709.11; D25/62-65
CPC A47C 9/00-9/105; A47C 7/00-7/02; A47C
16/00-16/04; A47B 7/00-7/02; A47B
3/00; A47B 3/02; A47B 3/04; A47B 3/12
See application file for complete search history.

(56) **References Cited**

U.S. PATENT DOCUMENTS

D268,796 S *	5/1983	Kola	D6/349
D567,395 S *	4/2008	Bishop	D25/65
D629,222 S *	12/2010	Kay	D6/349
D665,180 S *	8/2012	Ekelchik	D6/353
D677,478 S	3/2013	Edwards et al.		
D698,163 S *	1/2014	Edwards	D6/349
D749,330 S *	2/2016	Jahns	D6/349
D766,604 S *	9/2016	Edwards	A47K 17/02 D6/353
D767,291 S *	9/2016	Edwards	A47C 16/025 D6/353
D787,845 S *	5/2017	Edwards	D6/353
D787,846 S *	5/2017	Naik	D6/353
2005/0148449 A1 *	7/2005	Weir	A63B 21/00047 482/142
2010/0187041 A1 *	7/2010	Crouch	A47D 15/003 182/223
2014/0123376 A1	5/2014	Edwards et al.		

OTHER PUBLICATIONS

Snug EZ Stool. [online] Published on Mar. 3, 2017. Retrieved Jul. 11, 2017 from URL: https://www.amazon.com/dp/B01NBYZ84U/?tag=googhydr20&hvadid=190998735241&hvpos=1t1&hvnetw=g&hvrand=18062713195256558756&hvpone=&hvptwo=&hvqmt=e&hvdev=c&hvdvcmdl=&hvlocint=&hvlocphy=9007562&hvtargid=kwd-296402287576&ref=pd_sl_5iq5x0idwk_e.*
Squat N Go Folding. [online] Published on Dec. 6, 2016. Retrieved Jul. 11, 2017 from URL: https://www.amazon.com/Squat-Go-Squatting-Foldable-Convenient/dp/B01N8YQ0IS?th=1.*
<<http://zjhyhexing.en.alibaba.com/>> Nov. 18, 2015.
“Results of Search in US Patent Collection db for: TTL/toilet and TTL/stool: 41 patents.” Sep. 16, 2016.

* cited by examiner

Primary Examiner — Vy N Koenig
(74) *Attorney, Agent, or Firm* — Payam Moradian

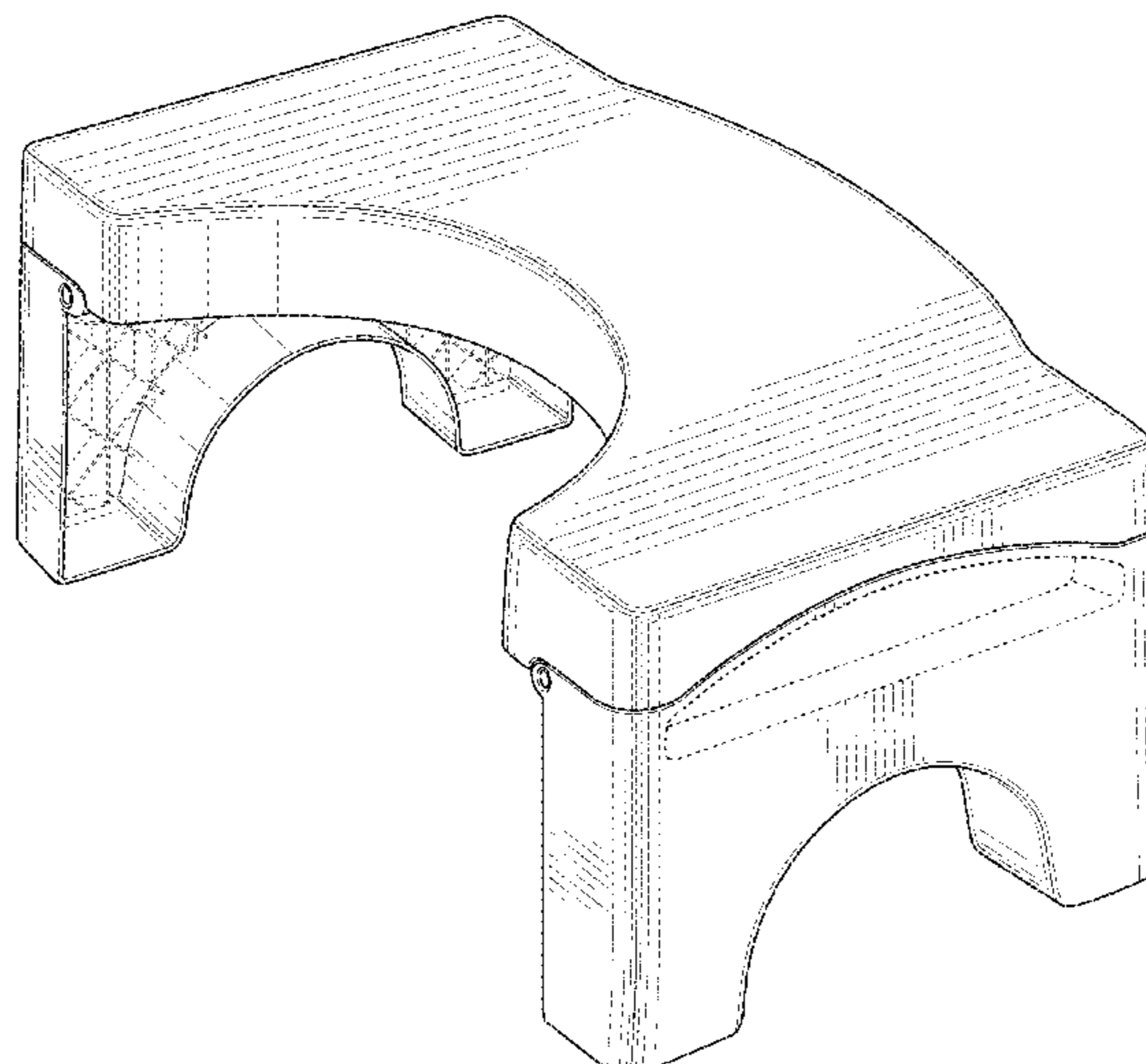
(57) **CLAIM**

I claim the ornamental design for a toilet stool foot rest, as shown and described.

DESCRIPTION

FIG. 1 is a perspective view of a toilet stool foot rest; FIG. 2 is a left side elevation view thereof; FIG. 3 is a right side elevation view thereof; FIG. 4 is a front side elevation view thereof; FIG. 5 is a rear side elevation view thereof; FIG. 6 is a top plan view thereof; and, FIG. 7 is a bottom plan view thereof. The uniformly broken lines in the drawings depict portions of the toilet stool foot rest that form no part of the claimed design.

1 Claim, 7 Drawing Sheets



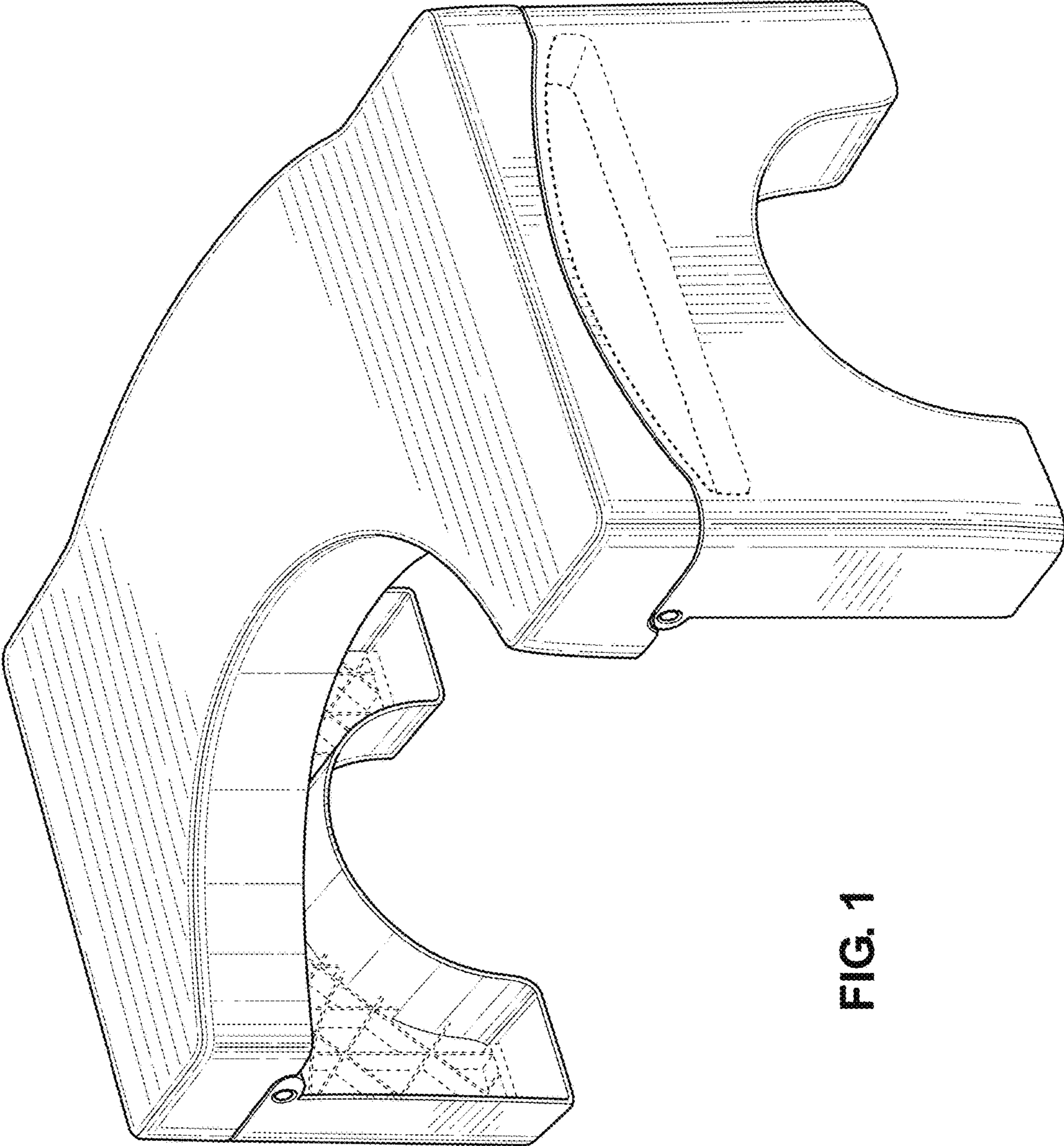


FIG. 1

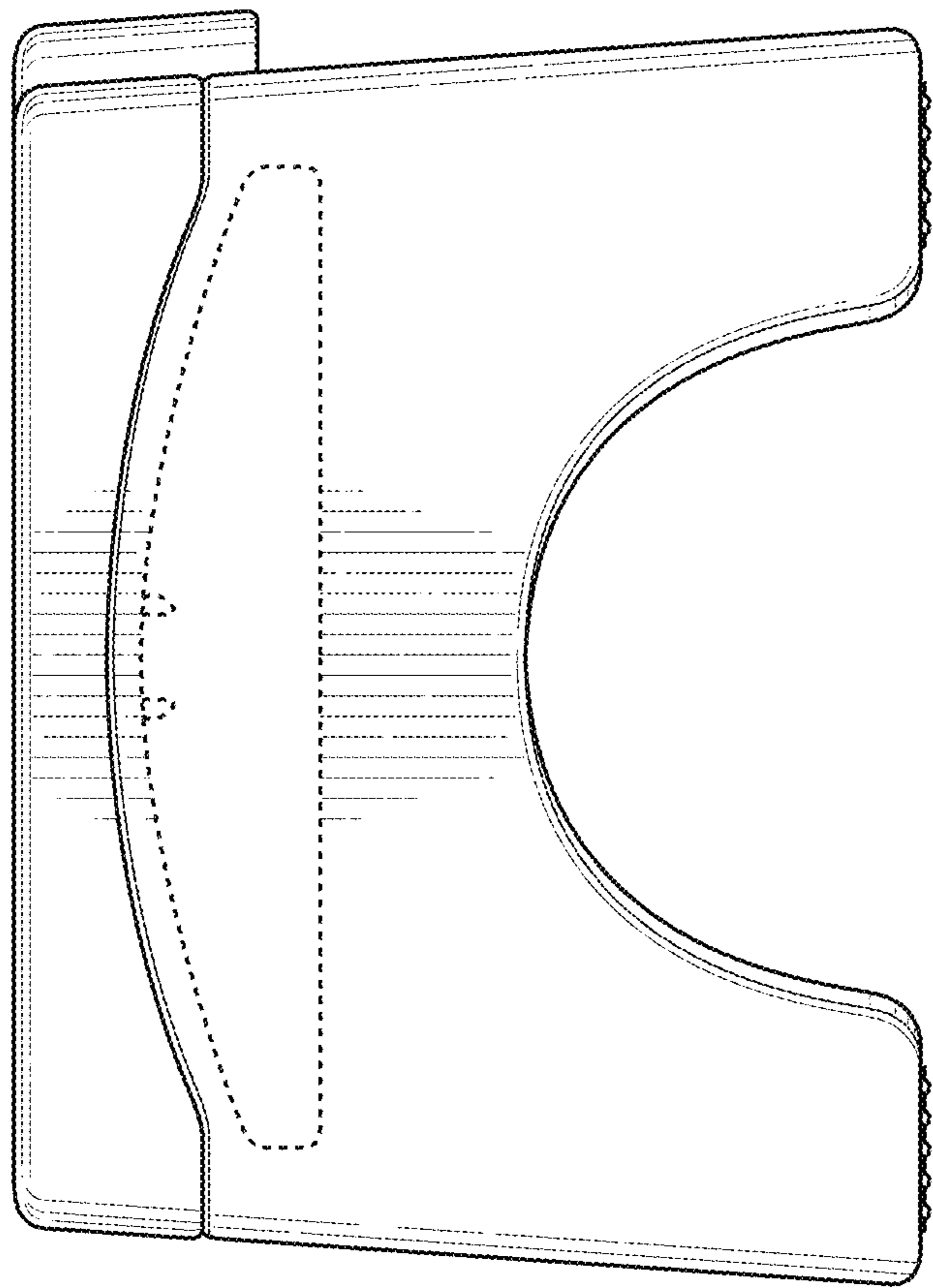


FIG. 2

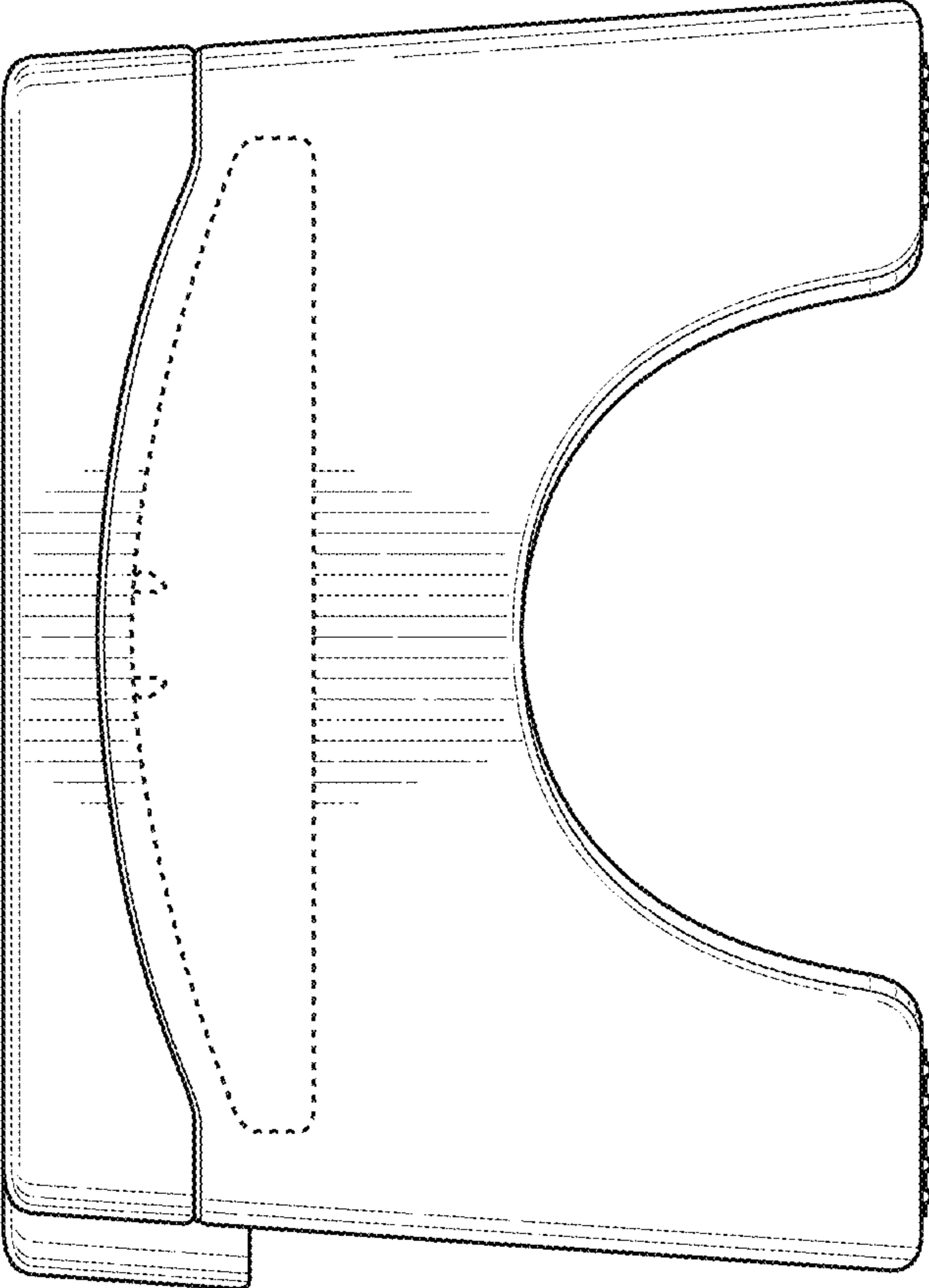


FIG. 3

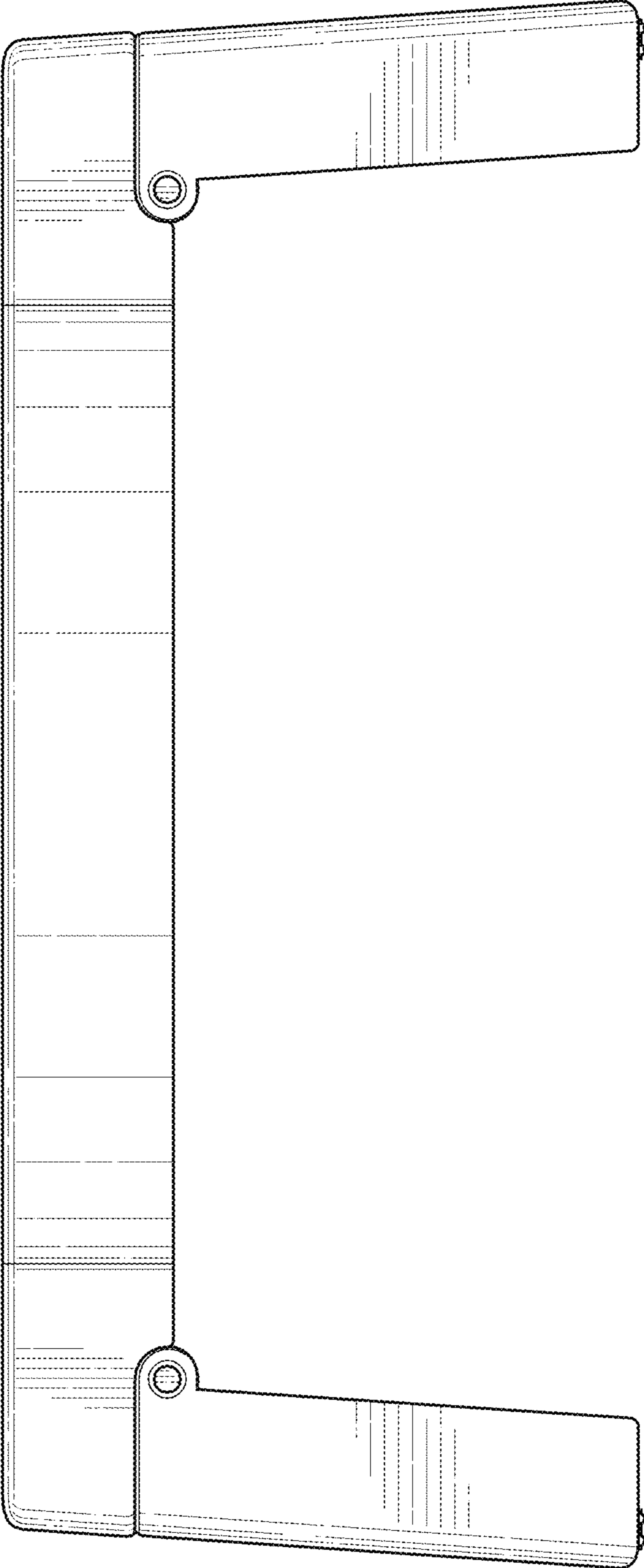


FIG. 4

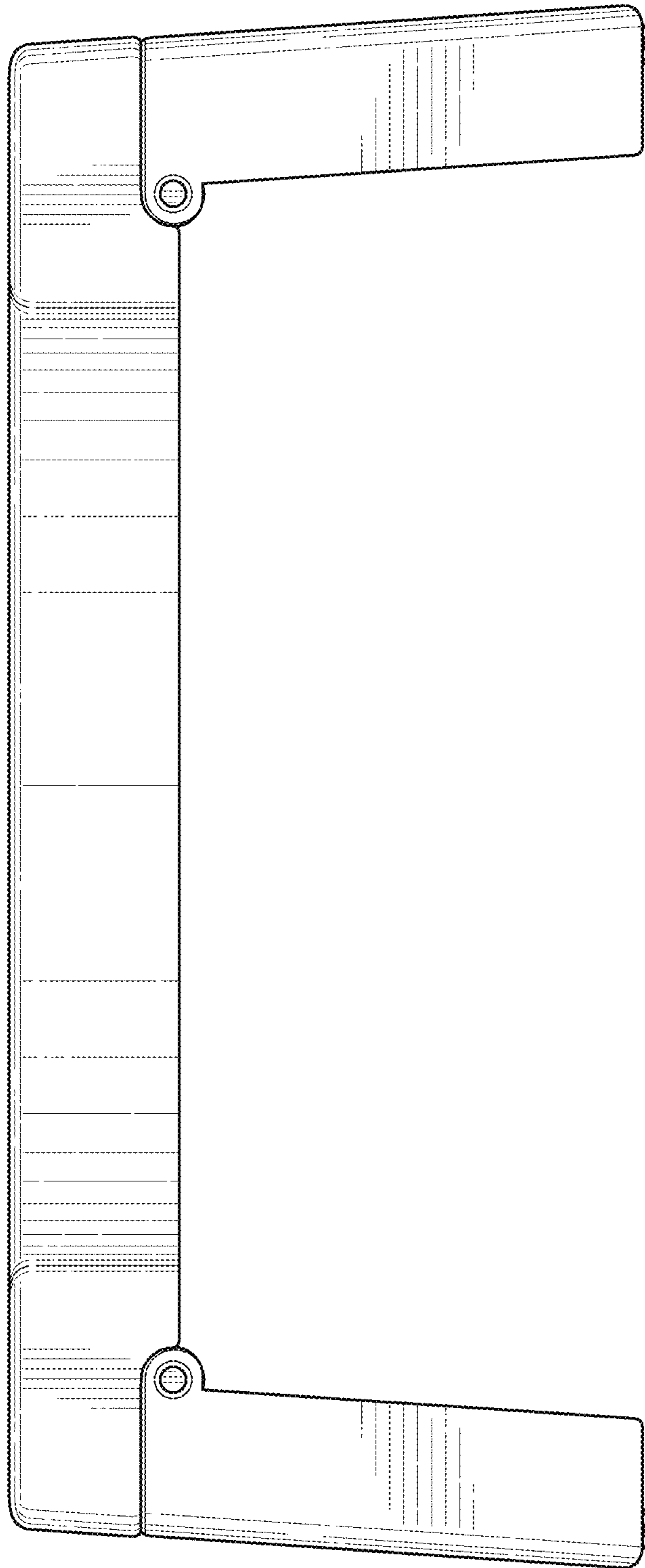


FIG. 5

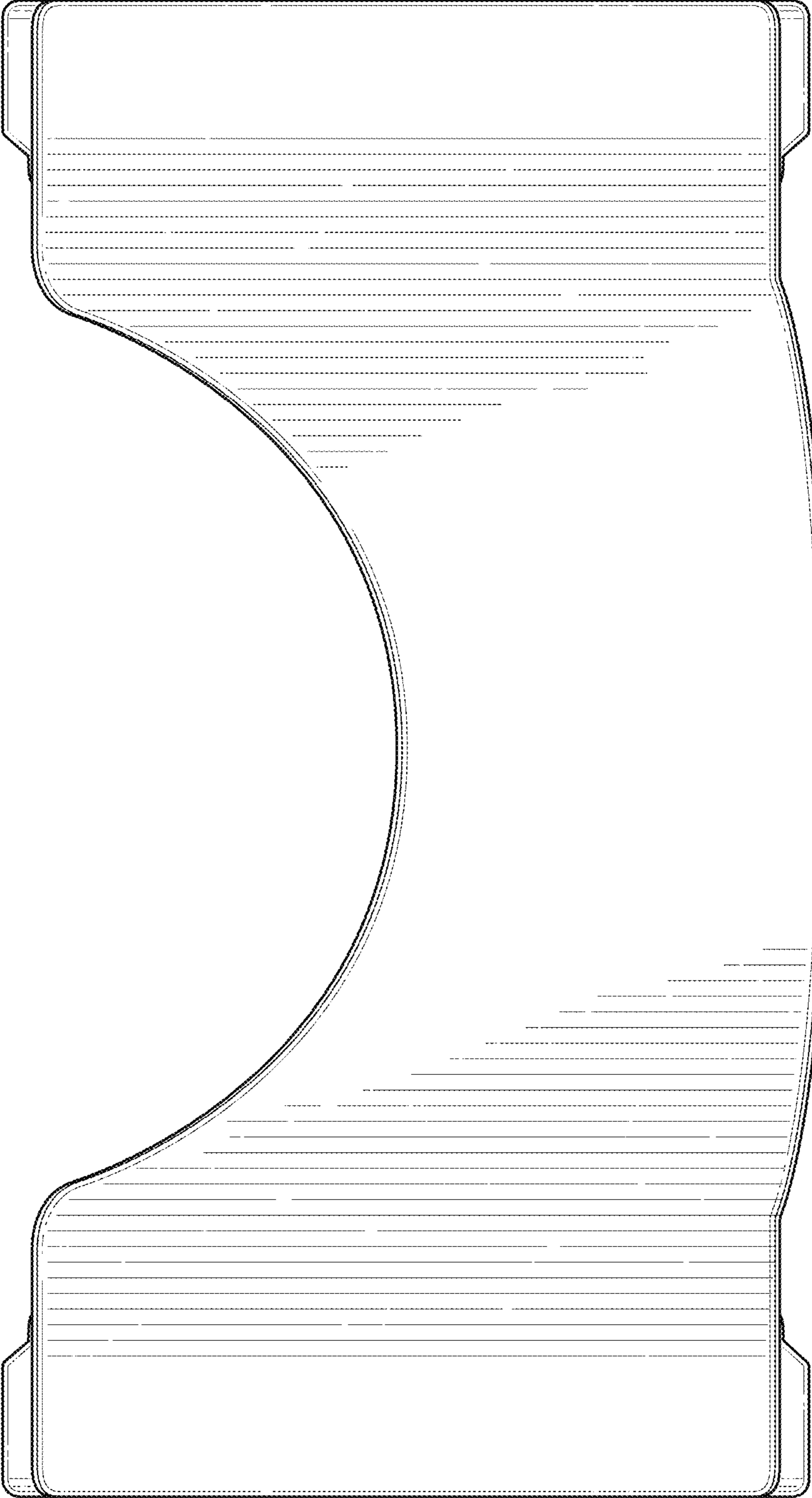


FIG. 6

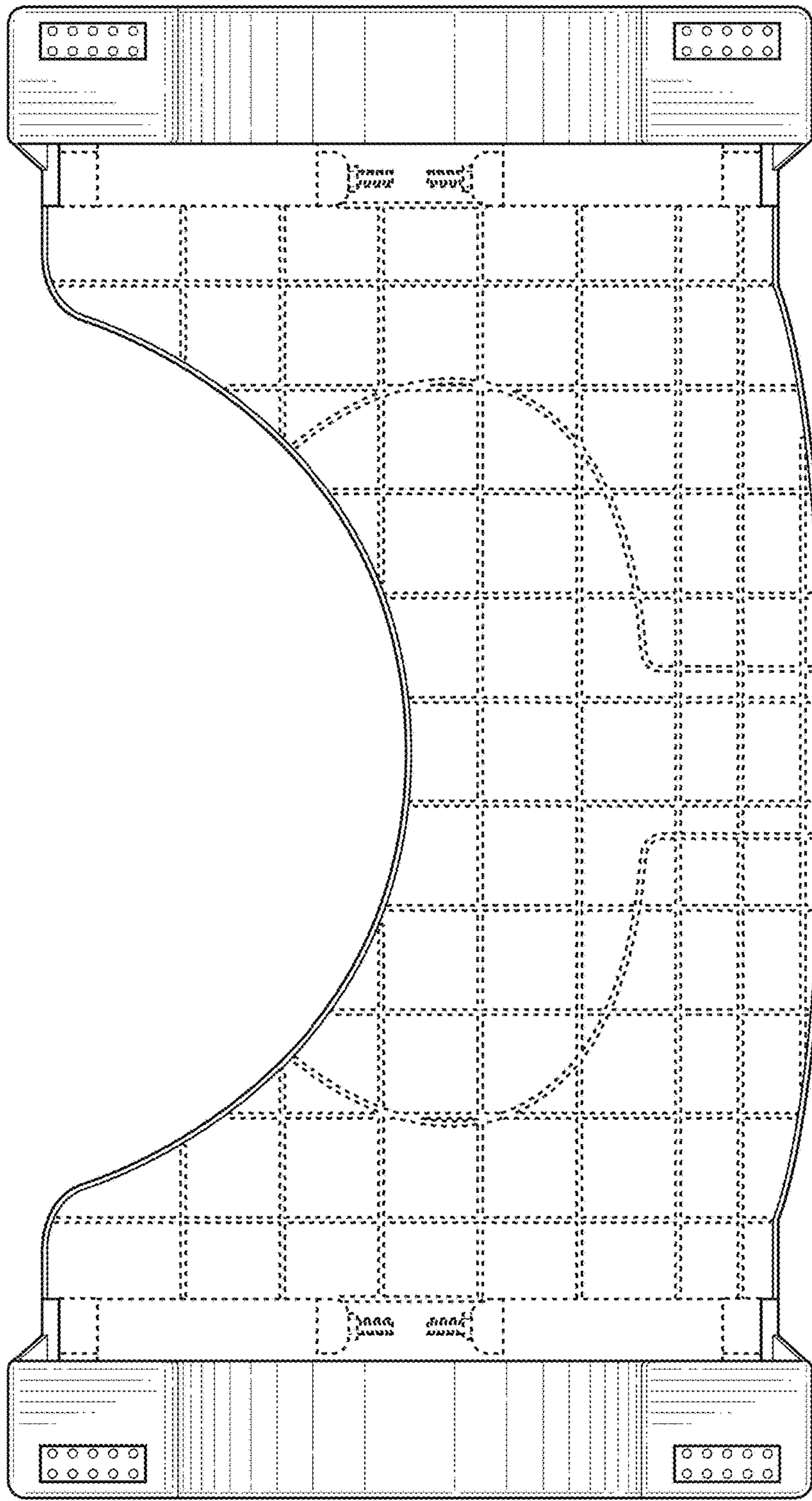


FIG. 7