



US00D797457S

(12) **United States Design Patent** (10) **Patent No.:** **US D797,457 S**
Gerbelle (45) **Date of Patent:** **** Sep. 19, 2017**

(54) **CLASP FOR A HANDBAG**
(71) Applicant: **J. Choo Limited**, London (GB)
(72) Inventor: **Rina Gerbelle**, Paris (FR)
(73) Assignee: **J. Choo Limited**, London (GB)
(**) Term: **15 Years**
(21) Appl. No.: **29/600,624**
(22) Filed: **Apr. 13, 2017**

D368,672 S * 4/1996 Goeden D11/200
D451,677 S * 12/2001 Kim D3/324
6,338,260 B1 * 1/2002 Cousins A45C 13/10
190/120
D471,716 S * 3/2003 Wolf D3/318
D520,242 S * 5/2006 Gonzalez D3/323
D521,239 S * 5/2006 Moon D3/324
D533,719 S * 12/2006 Spade D3/324
D558,979 S * 1/2008 Wu D3/318
D560,362 S * 1/2008 Watanabe D3/324
D593,845 S * 6/2009 Boyko D8/356
D595,506 S * 7/2009 Hacker D3/318
D647,424 S * 10/2011 Kolasa D11/218
D674,193 S * 1/2013 Saavedra D3/322
2011/0185768 A1 * 8/2011 Pinchuk A44C 5/18
63/3.1

Related U.S. Application Data

(62) Division of application No. 29/553,306, filed on Jan. 29, 2016, now Pat. No. Des. 789,693.
(51) **LOC (10) Cl.** **03-01**
(52) **U.S. Cl.**
USPC **D3/324**
(58) **Field of Classification Search**
USPC D3/232, 233, 237, 318, 322, 324, 325,
D3/327; D8/356; D11/86, 87, 93, 218,
D11/220, 238, 241
CPC .. A44C 5/18; A44C 5/20; A44C 5/185; A44C
5/2009; A44C 5/2014; A45C 13/10
See application file for complete search history.

* cited by examiner

Primary Examiner — Susan E Krakower
Assistant Examiner — Lisa A Grabenstetter
(74) *Attorney, Agent, or Firm* — Fross Zelnick Lehrman
& Zissu, P.C.; Lawrence E. Apolzon, Esq.

(57) **CLAIM**

The ornamental design for a clasp for a handbag, as shown and described.

DESCRIPTION

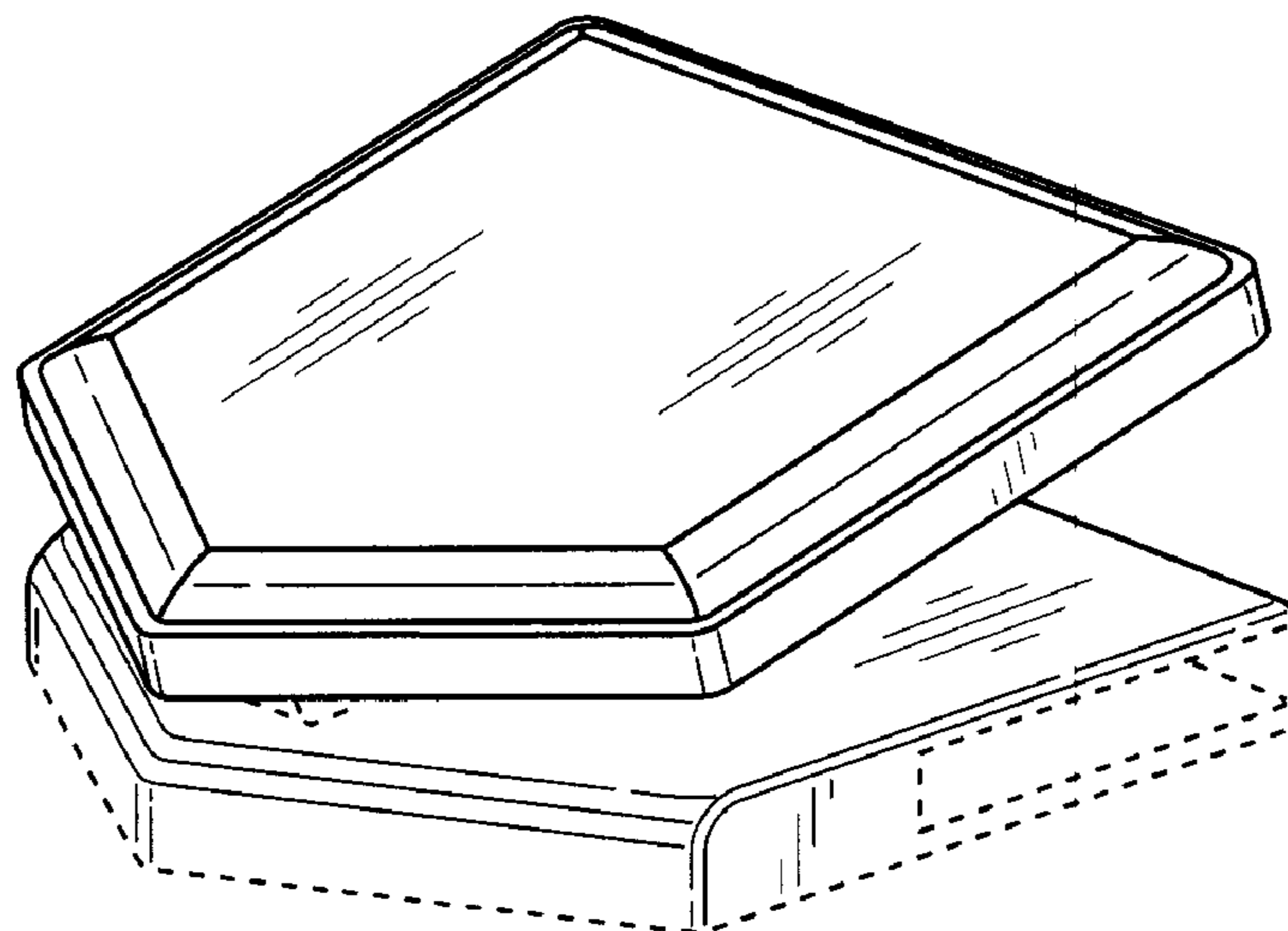
FIG. 1 is a front perspective view of a clasp for a handbag showing my new design,
FIG. 2 is a left side view thereof;
FIG. 3 is a right side view thereof;
FIG. 4 is a front view thereof;
FIG. 5 is a rear view thereof;
FIG. 6 is a top view thereof; and,
FIG. 7 is a bottom perspective view of the clasp shown in FIG. 1, shown in condition of use, on a handbag.
The broken line showing of the pin, portions of the clasp, and portions of the handbag in the drawings shows unclaimed subject matter.

1 Claim, 4 Drawing Sheets

(56) **References Cited**

U.S. PATENT DOCUMENTS

1,736,095 A * 11/1929 Schmidt A45C 13/06
150/110
1,782,665 A * 11/1930 Rosenband A45C 13/10
24/598.1
1,934,353 A * 11/1933 Jones A45C 13/10
24/645
D130,874 S * 12/1941 Levine D3/243
4,222,595 A * 9/1980 Schmidt A45C 13/10
24/627
D300,614 S * 4/1989 Geldwerth D11/216
D342,923 S * 1/1994 Kirk D11/200



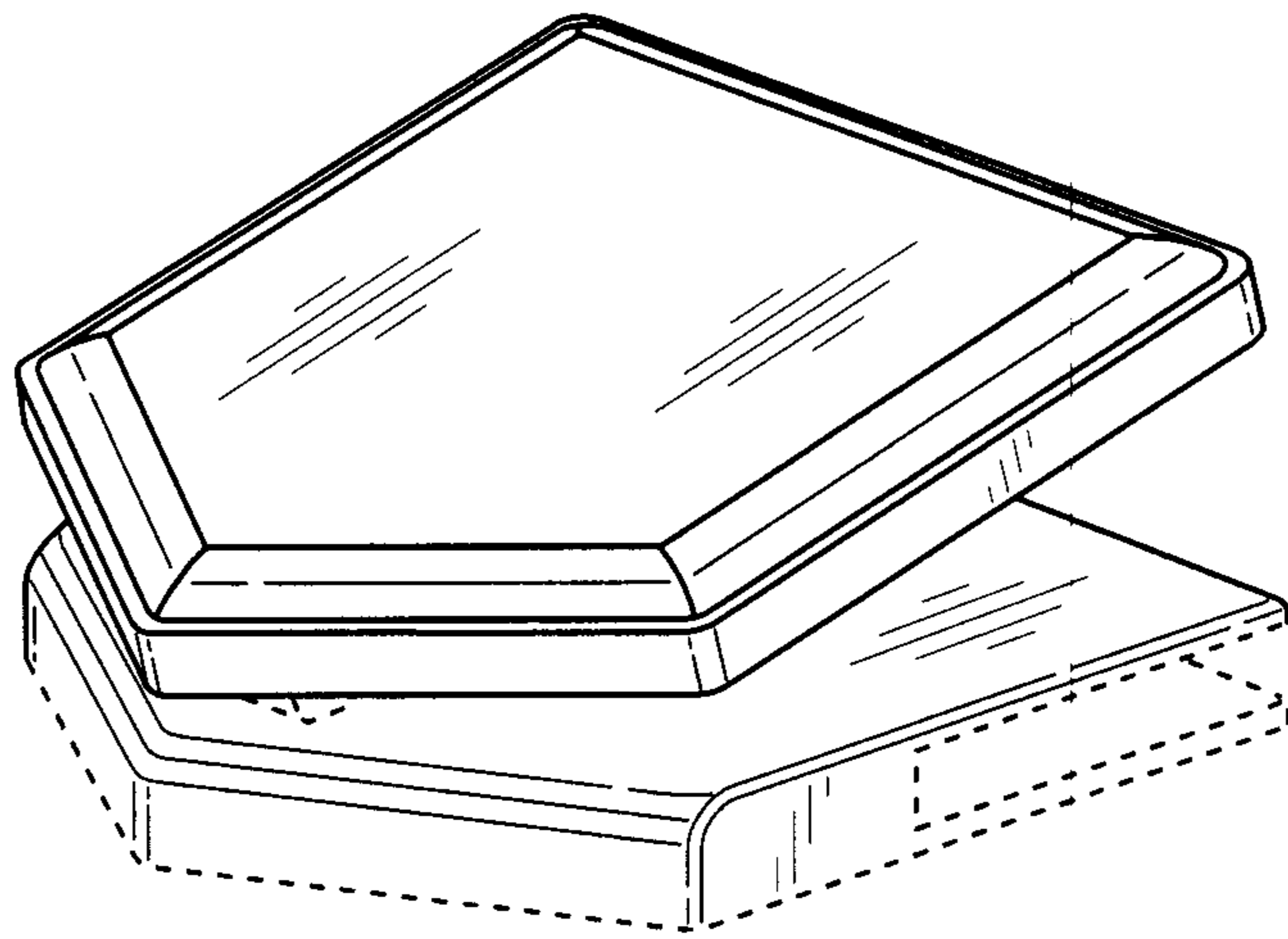


FIG. 1

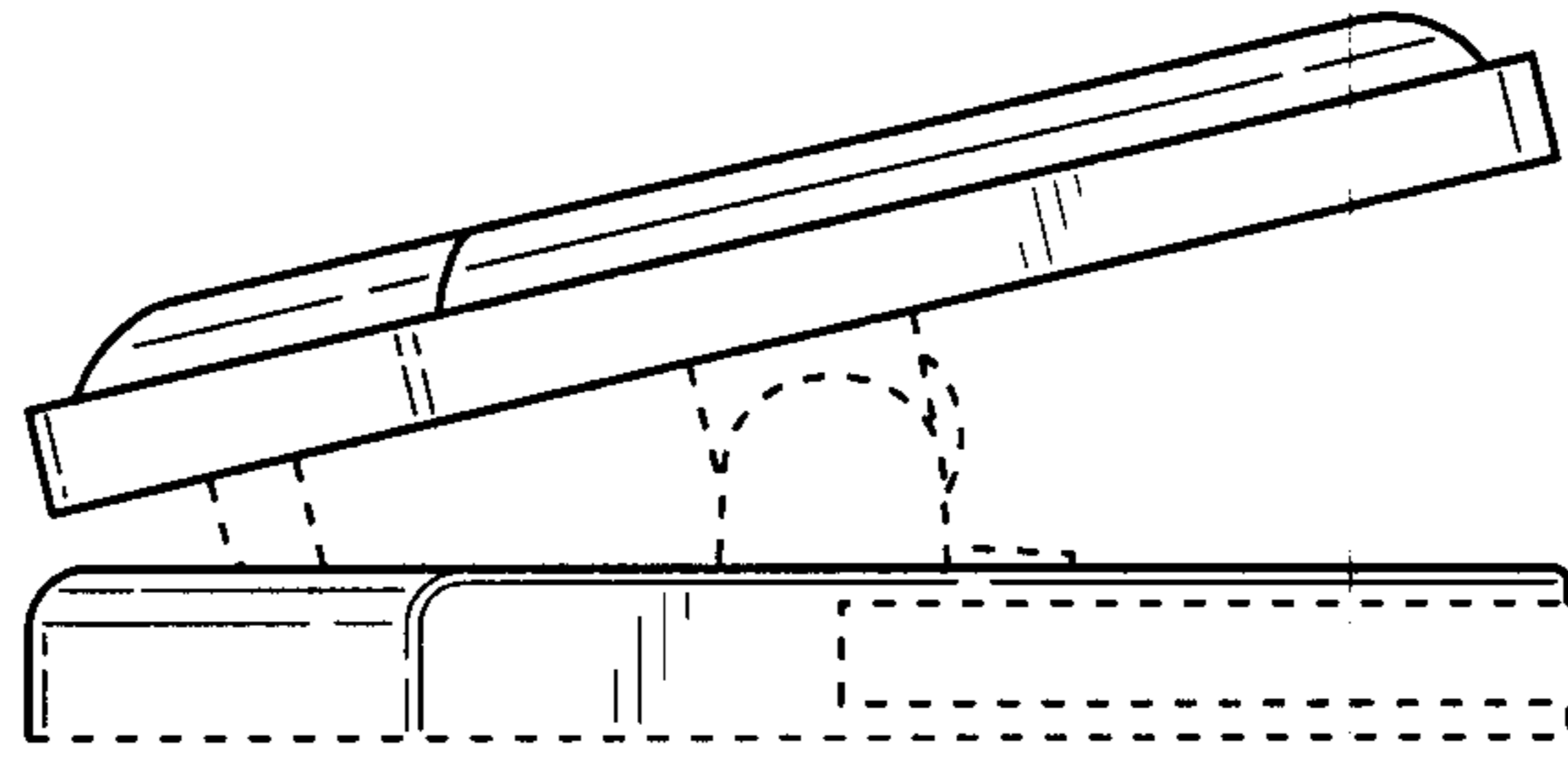


FIG. 2

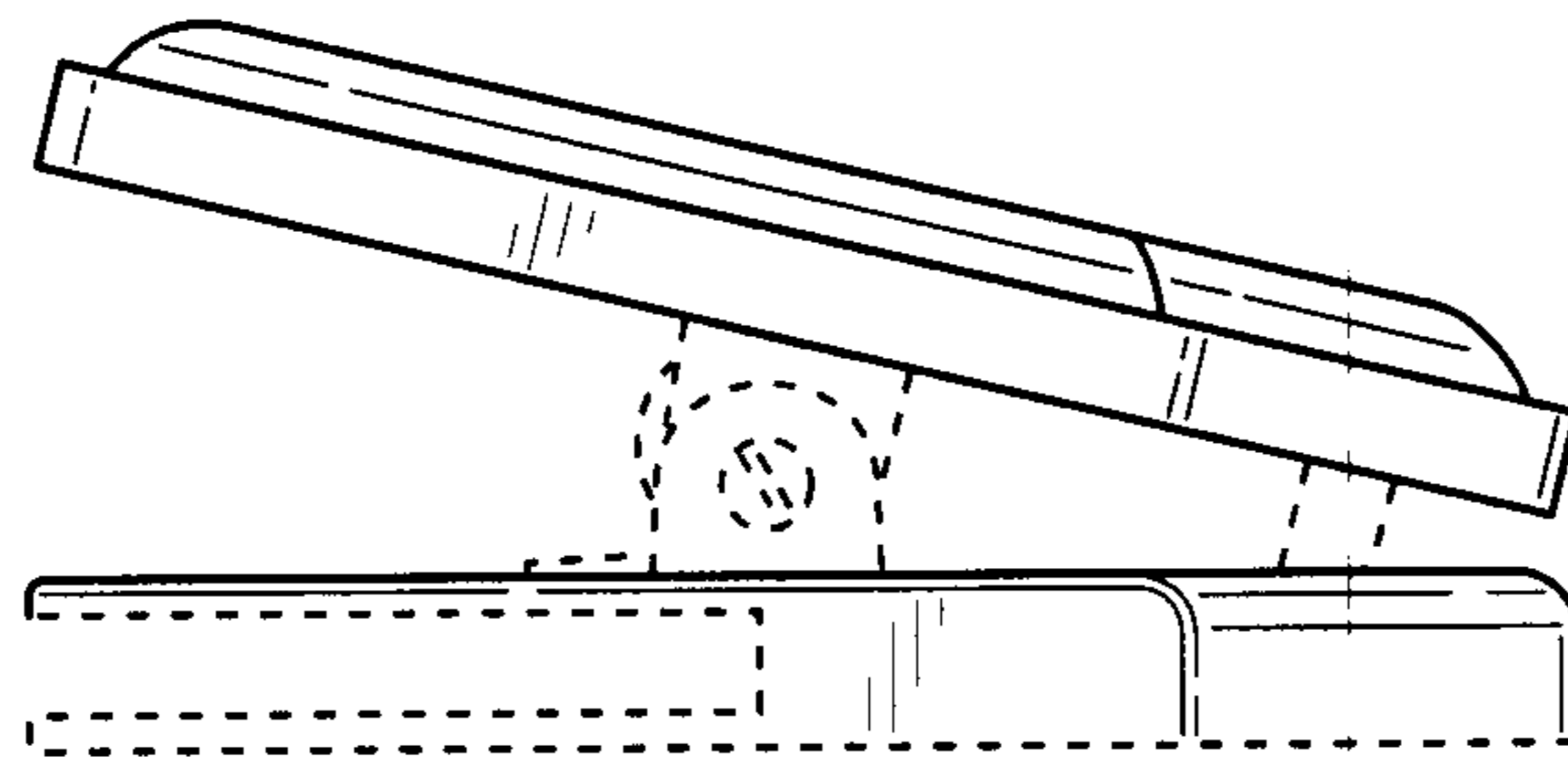


FIG. 3

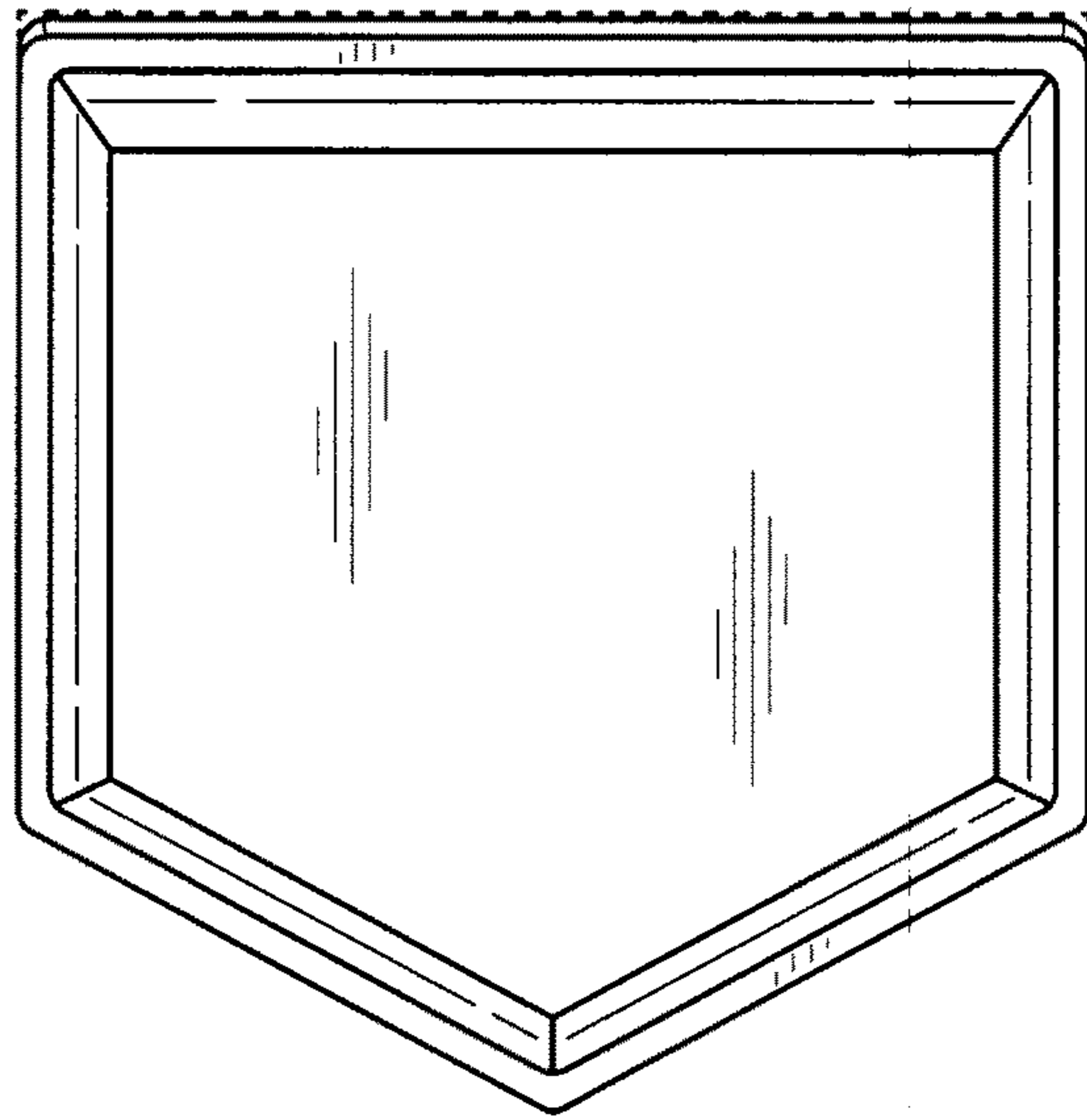


FIG. 4

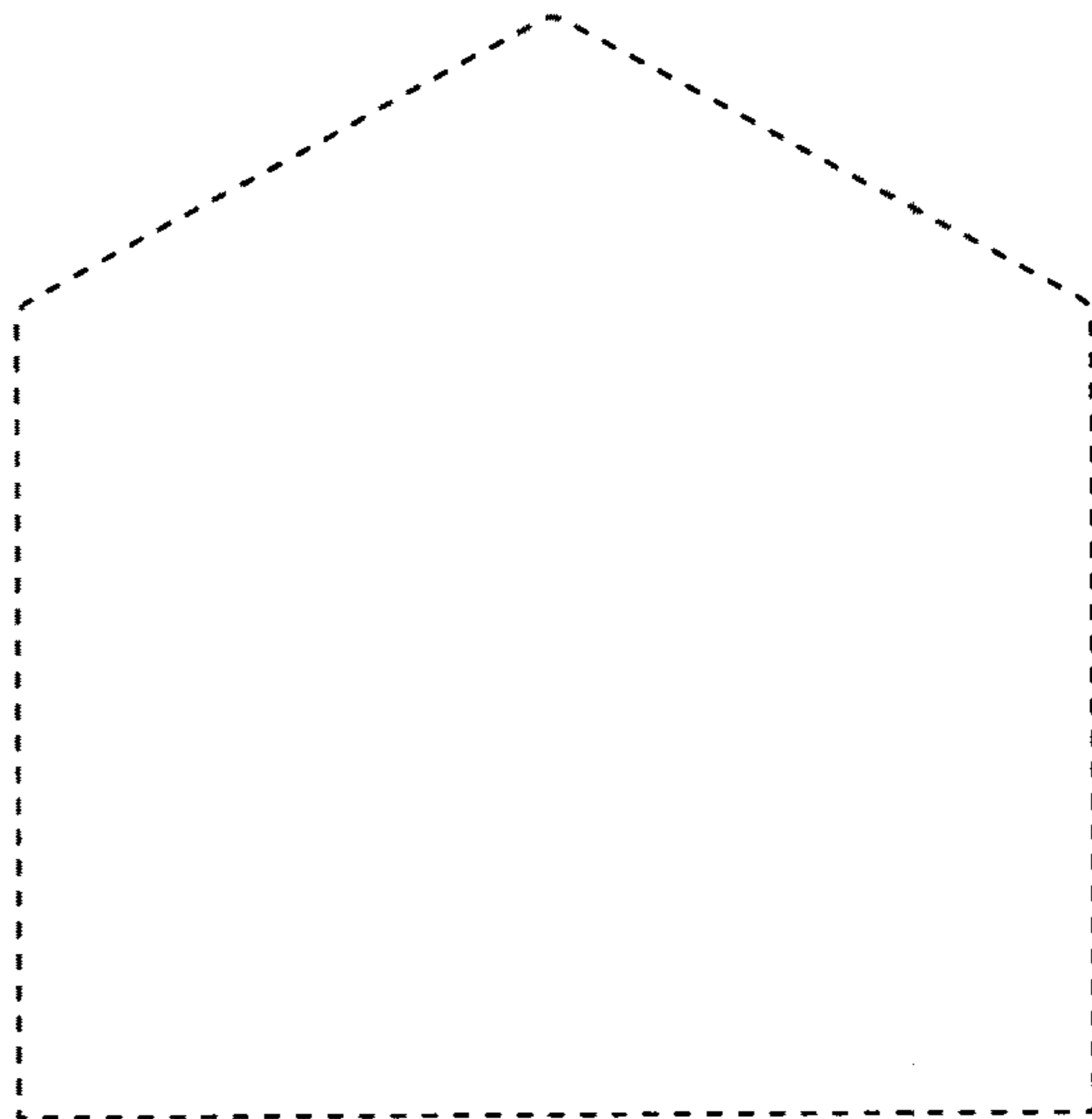


FIG. 5

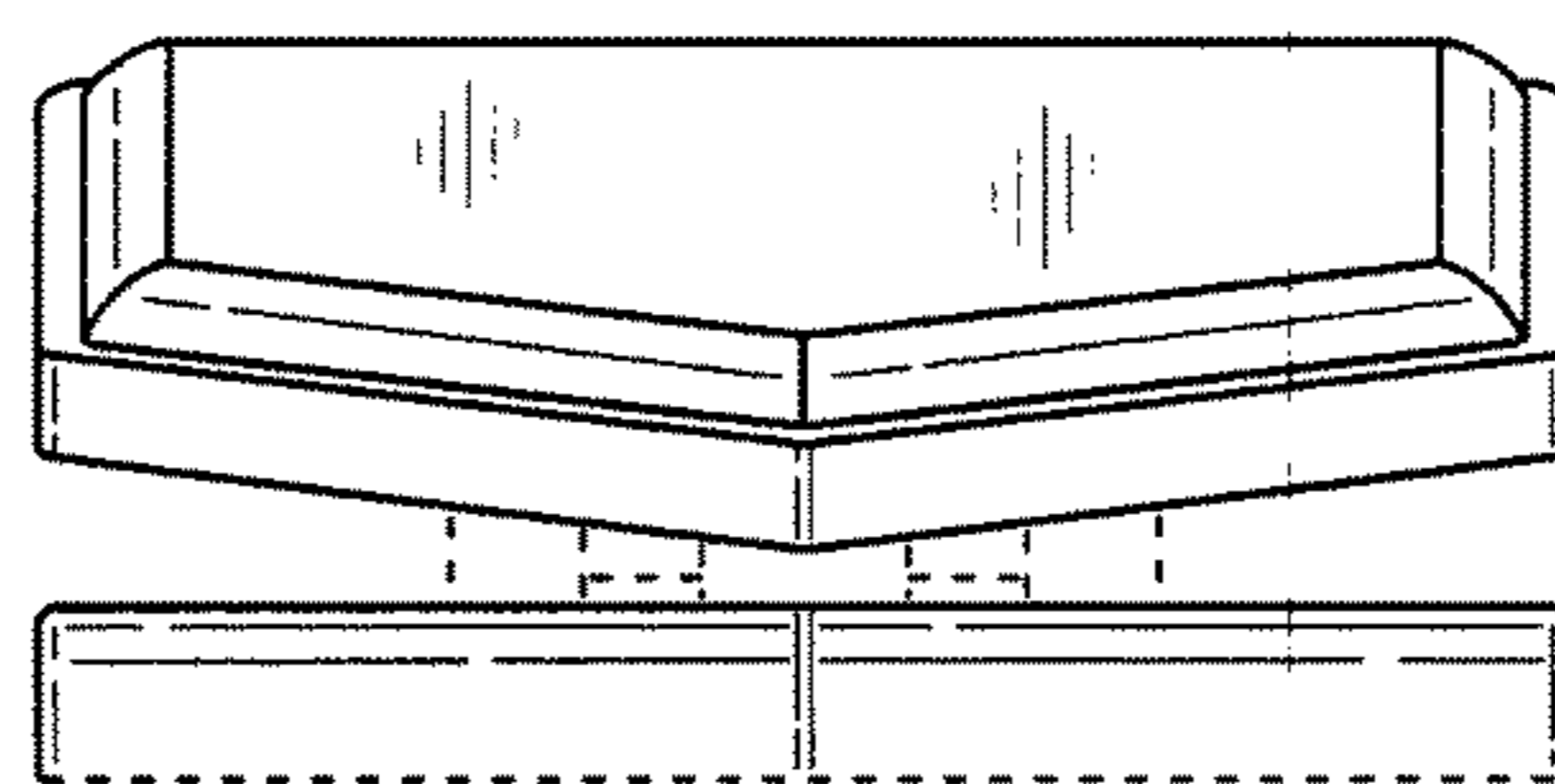


FIG. 6

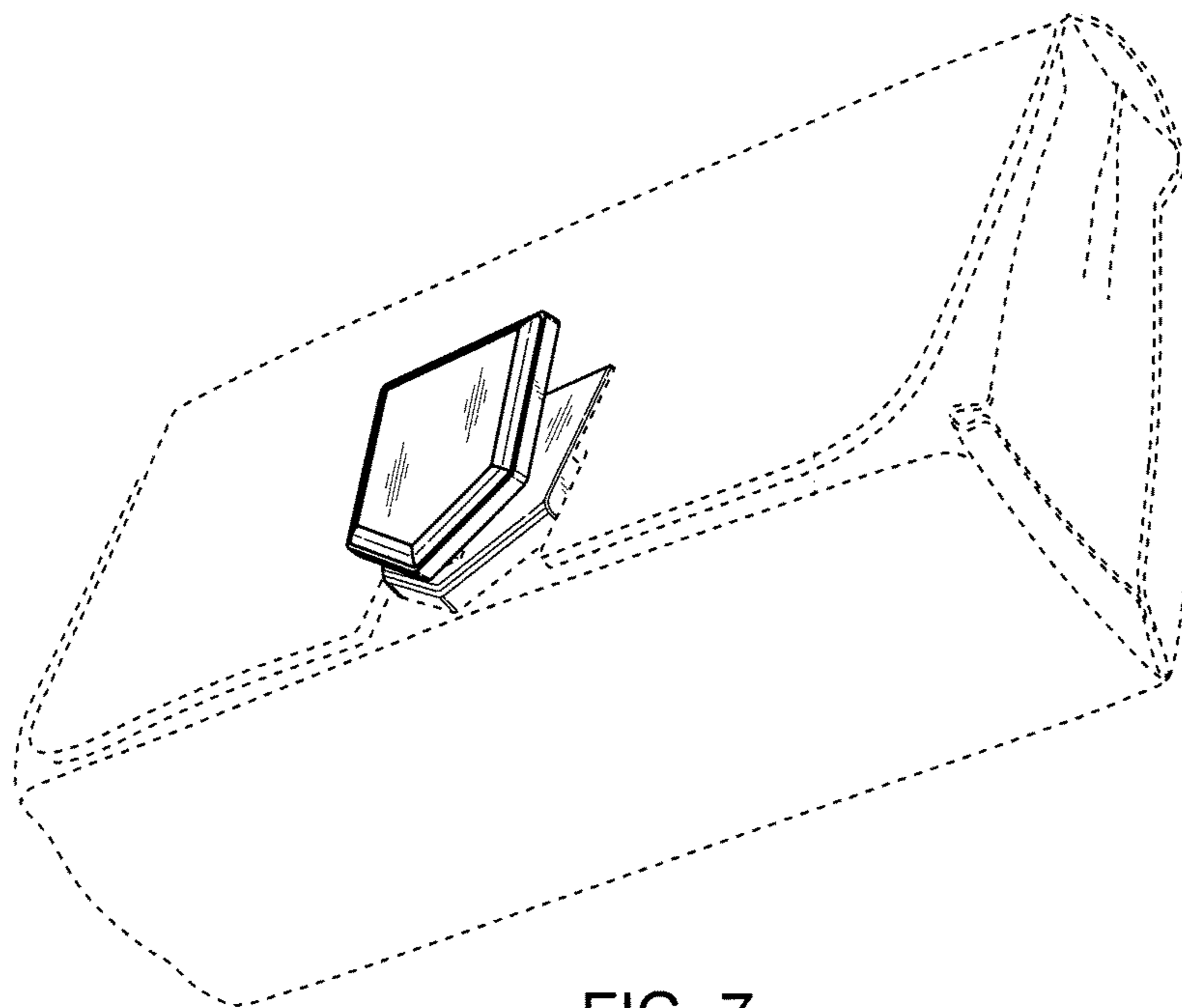


FIG. 7