



US00D797456S

(12) **United States Design Patent** (10) **Patent No.:** **US D797,456 S**  
**Chen** (45) **Date of Patent:** **\*\* Sep. 19, 2017**

(54) **HARD CASE SURFACE FOR LUGGAGE**  
(71) Applicant: **TRAVELER'S CHOICE**  
**TRAVELWARE**, Pomona, CA (US)  
(72) Inventor: **Chenhua Chen**, Pomona, CA (US)  
(73) Assignee: **TRAVELER'S CHOICE**, Pomona, CA (US)  
(\*\*) Term: **15 Years**  
(21) Appl. No.: **29/561,856**  
(22) Filed: **Apr. 20, 2016**  
(51) **LOC (10) Cl.** ..... **03-01**  
(52) **U.S. Cl.**  
USPC ..... **D3/318**  
(58) **Field of Classification Search**  
USPC ..... D3/273, 285, 289, 294, 318  
CPC .. A45C 7/00; A45C 13/10; A45C 5/03; A45C  
7/0027; A45C 13/103  
See application file for complete search history.

8,910,956 B2 \* 12/2014 Bengtzen ..... A45C 5/14  
220/4.24  
D740,557 S \* 10/2015 Liao ..... D3/279  
D741,600 S \* 10/2015 Della Vecchia ..... D3/318  
D755,518 S \* 5/2016 Sijmons ..... D3/279  
D771,382 S \* 11/2016 Maeda ..... D3/279

**OTHER PUBLICATIONS**

Trademark Electronic Search System Record, Apr. 26, 2016 re Reg. No. 4722151, Apr. 21, 2015.  
Trademark Electronic Search System Record, Apr. 26, 2016 re Reg. No. 3949886, Apr. 26, 2011.  
Trademark Electronic Search System Record, Apr. 26, 2016 re Reg. No. 4548851, Jun. 10, 2014.  
Trademark Electronic Search System Record, Apr. 26, 2016 re Reg. No. 4586888, Aug. 19, 2014.

\* cited by examiner

*Primary Examiner* — Holly H Baynham  
(74) *Attorney, Agent, or Firm* — Karish & Bjorgum, PC

(57) **CLAIM**

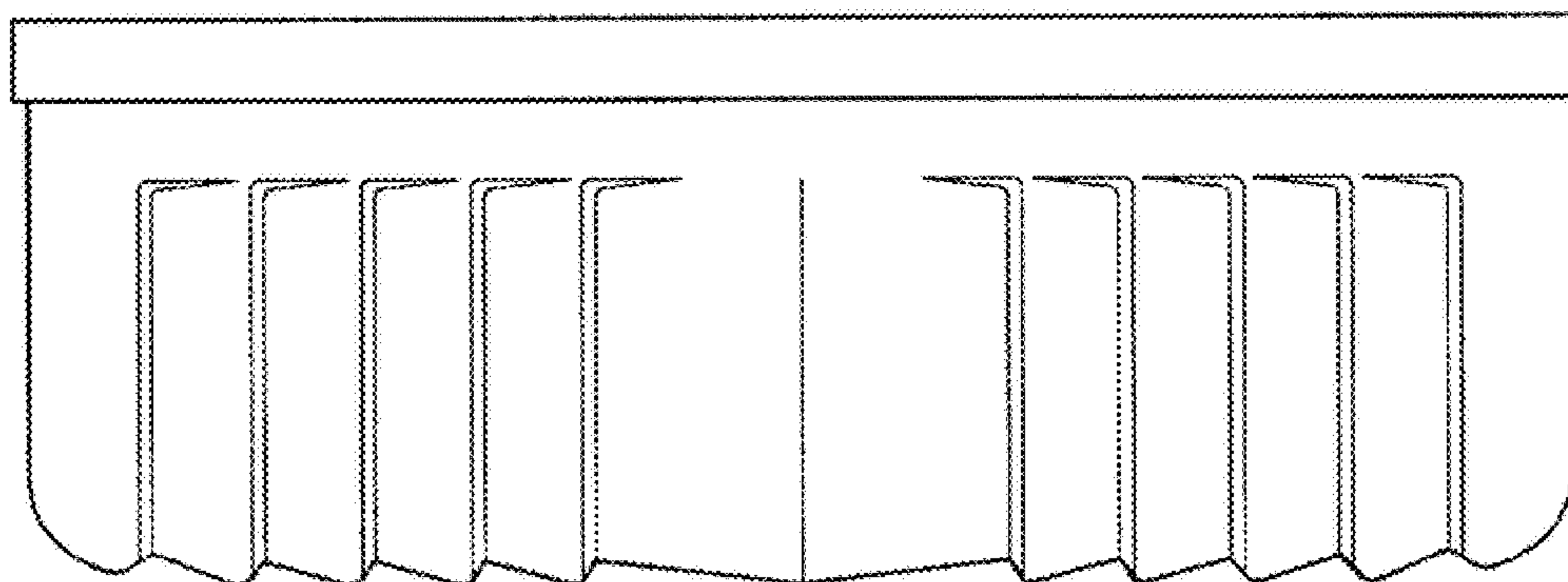
The ornamental design for a hard case surface for luggage, as shown and described.

**DESCRIPTION**

FIG. 1 is a top view of the hard case surface for luggage; and,  
FIG. 2 is front view of the hard case surface for luggage. The surface is uniform along the length of the ribs. No other orthographic projection illustrates a part of the design.

**1 Claim, 1 Drawing Sheet**

(56) **References Cited**  
U.S. PATENT DOCUMENTS  
2,510,643 A \* 6/1950 Long ..... A45C 5/00  
190/115  
D642,379 S \* 8/2011 Buller ..... D3/279  
D652,216 S \* 1/2012 Fair ..... D3/318  
D659,395 S \* 5/2012 Sijmons ..... D3/279  
D709,696 S \* 7/2014 Wu ..... D3/279  
D710,610 S \* 8/2014 Sijmons ..... D3/279  
D711,646 S \* 8/2014 Ke ..... D3/279



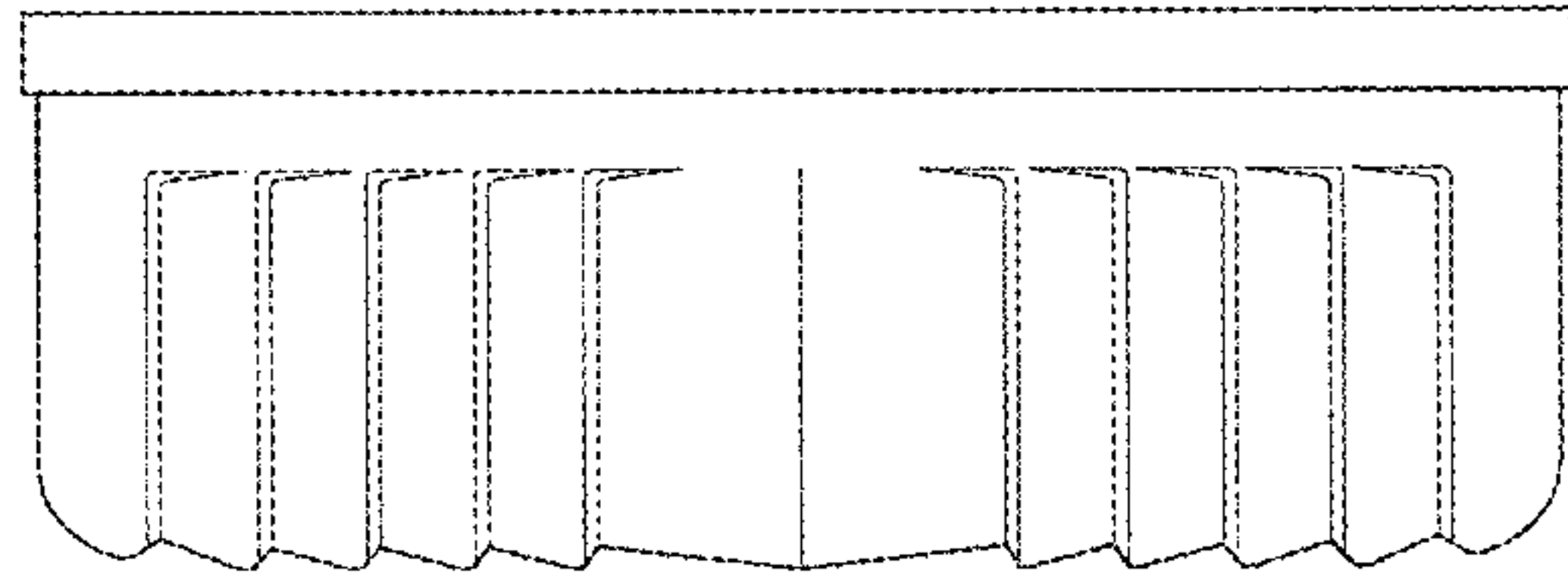


Fig. 1

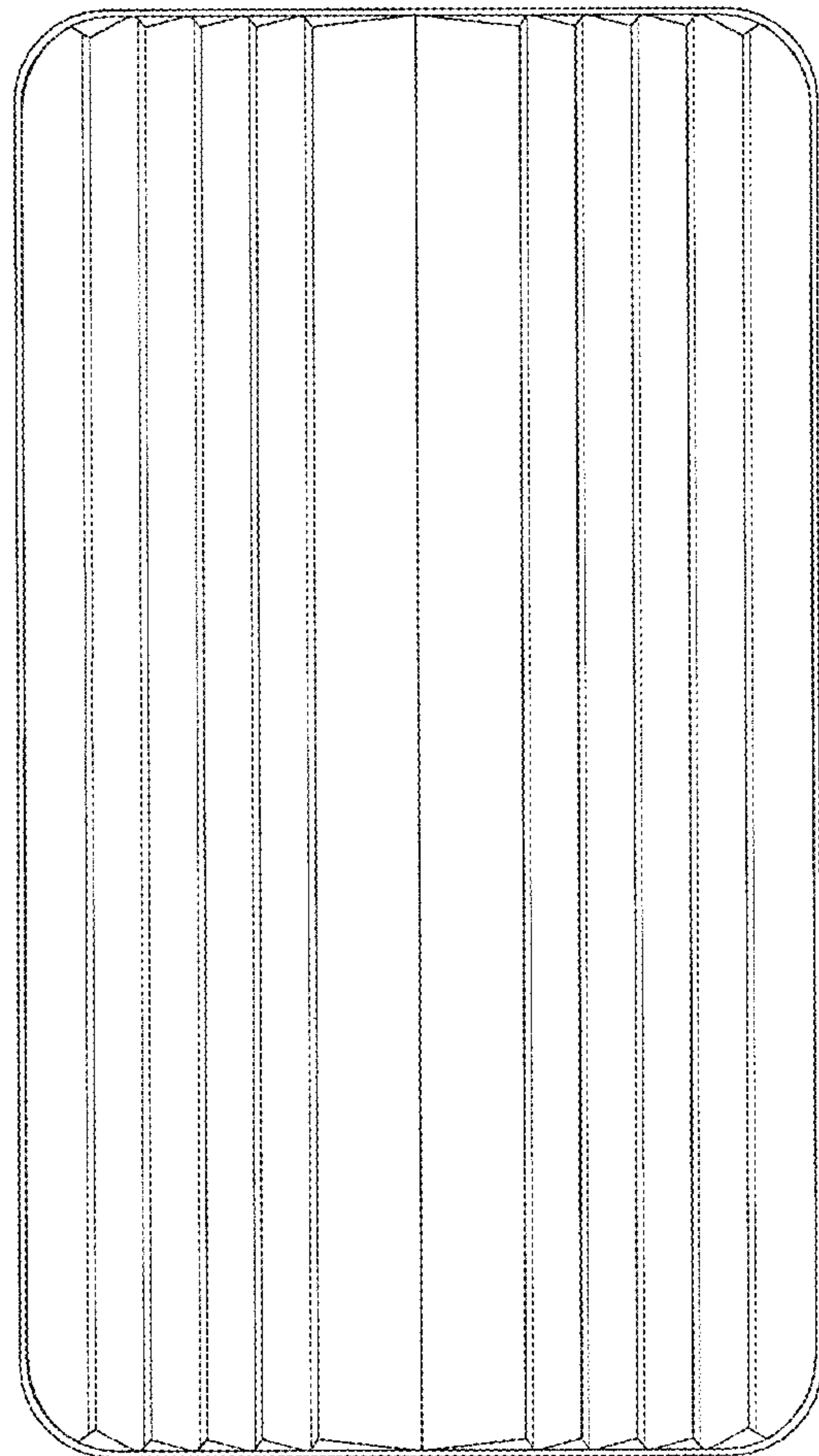


Fig. 2