



US00D797453S

(12) **United States Design Patent** (10) **Patent No.:** **US D797,453 S**
Shamp et al. (45) **Date of Patent:** **** *Sep. 19, 2017**

(54) **COMPARTMENTABLE INDUSTRIAL TOTE**

(56) **References Cited**

(71) Applicants: **Travis Shamp**, Akron, OH (US);
Albert Kobilarcik, Wooster, OH (US)

U.S. PATENT DOCUMENTS

(72) Inventors: **Travis Shamp**, Akron, OH (US);
Albert Kobilarcik, Wooster, OH (US)

D341,461 S * 11/1993 Davidson D3/312
D370,344 S * 6/1996 Kim D3/305
D383,906 S * 9/1997 Lev-Ran D3/314
D421,183 S * 2/2000 Koskinen D3/304
D444,480 S * 7/2001 Shultz, Jr. D15/90
7,017,766 B2 * 3/2006 Hsu B65D 11/1833

(73) Assignee: **Akro-Mils, A Division of Myers Industries, Inc.**, Wadsworth, OH (US)

D549,454 S * 8/2007 Åhman D3/304
D648,535 S * 11/2011 Reinhart D3/302
D661,901 S * 6/2012 Orgeldinger D3/305
D670,081 S * 11/2012 Orgeldinger D3/307
D672,961 S * 12/2012 Turner D3/304
D746,131 S * 12/2015 Astorga D9/425
D762,387 S * 8/2016 Green D3/304
2006/0231555 A1 * 10/2006 Smyers B65D 11/1833
220/6

(*) Notice: This patent is subject to a terminal disclaimer.

(**) Term: **14 Years**

(21) Appl. No.: **29/436,727**

* cited by examiner

(22) Filed: **Nov. 8, 2012**

Primary Examiner — Kelley Donnelly
(74) *Attorney, Agent, or Firm* — Dureska & Moore, LLC;
Brent L. Moore; David P. Dureska

Related U.S. Application Data

(63) Continuation-in-part of application No. 13/671,978,
filed on Nov. 8, 2012.

(57) **CLAIM**

We claim the ornamental design for a compartmentable industrial tote, as shown and described.

(51) **LOC (10) Cl.** **03-01**

DESCRIPTION

(52) **U.S. Cl.**
USPC **D3/314**

(58) **Field of Classification Search**
USPC D3/304, 307-314, 315; D9/756, 759,
D9/414, 424; D19/75, 77; D6/512, 515,
D6/569
CPC . B25H 3/02; A47G 29/00; B65D 1/00; B65D
1/22; B65D 1/24; B65D 11/20

FIG. 1 is a top left perspective view of a compartmentable industrial tote.

FIG. 2 is a bottom left perspective view thereof.

FIG. 3 is a top plan view thereof.

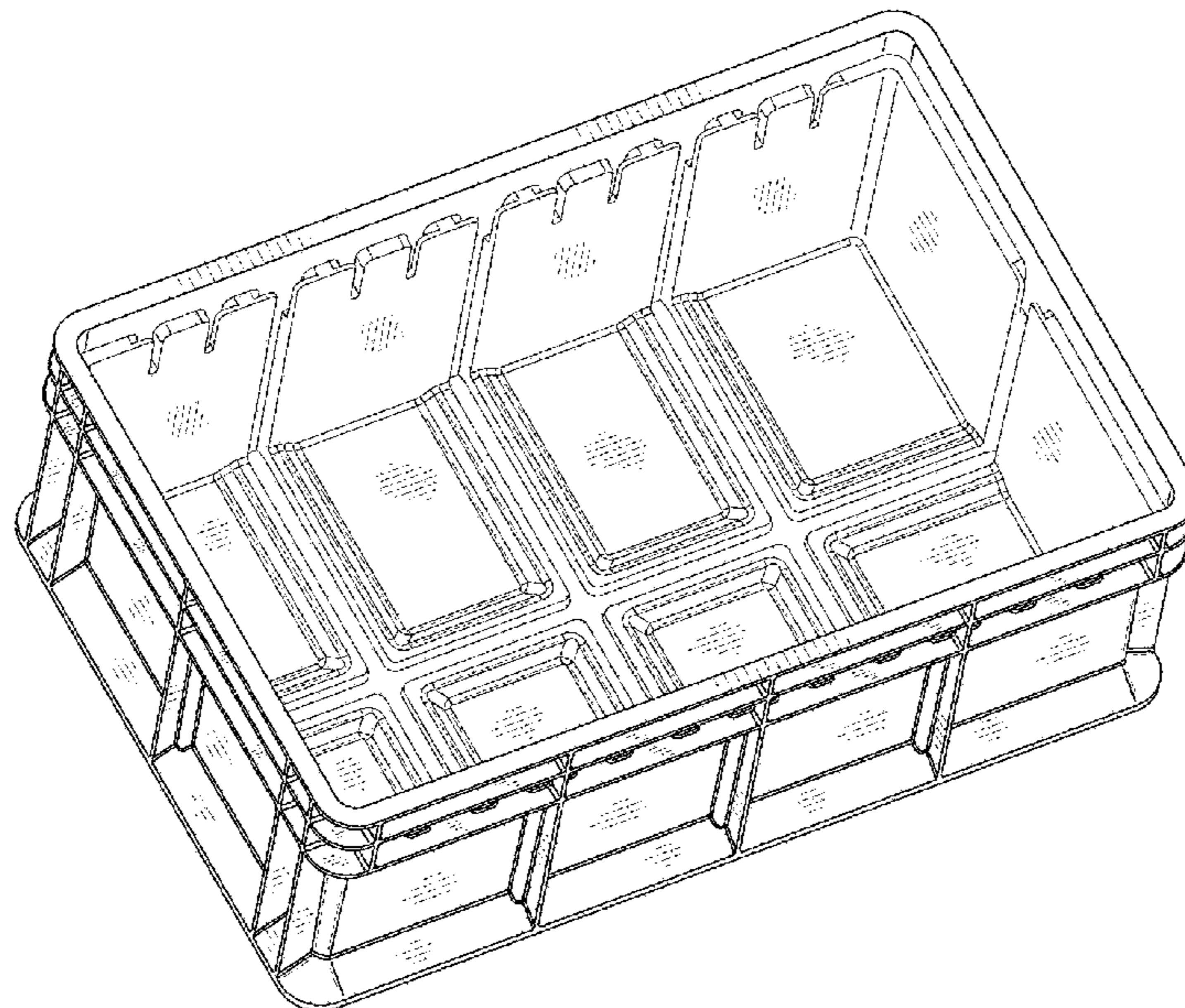
FIG. 4 is a bottom plan view thereof.

FIG. 5 is a front plan view thereof; and,

FIG. 6 is a side plan view thereof.

See application file for complete search history.

1 Claim, 5 Drawing Sheets



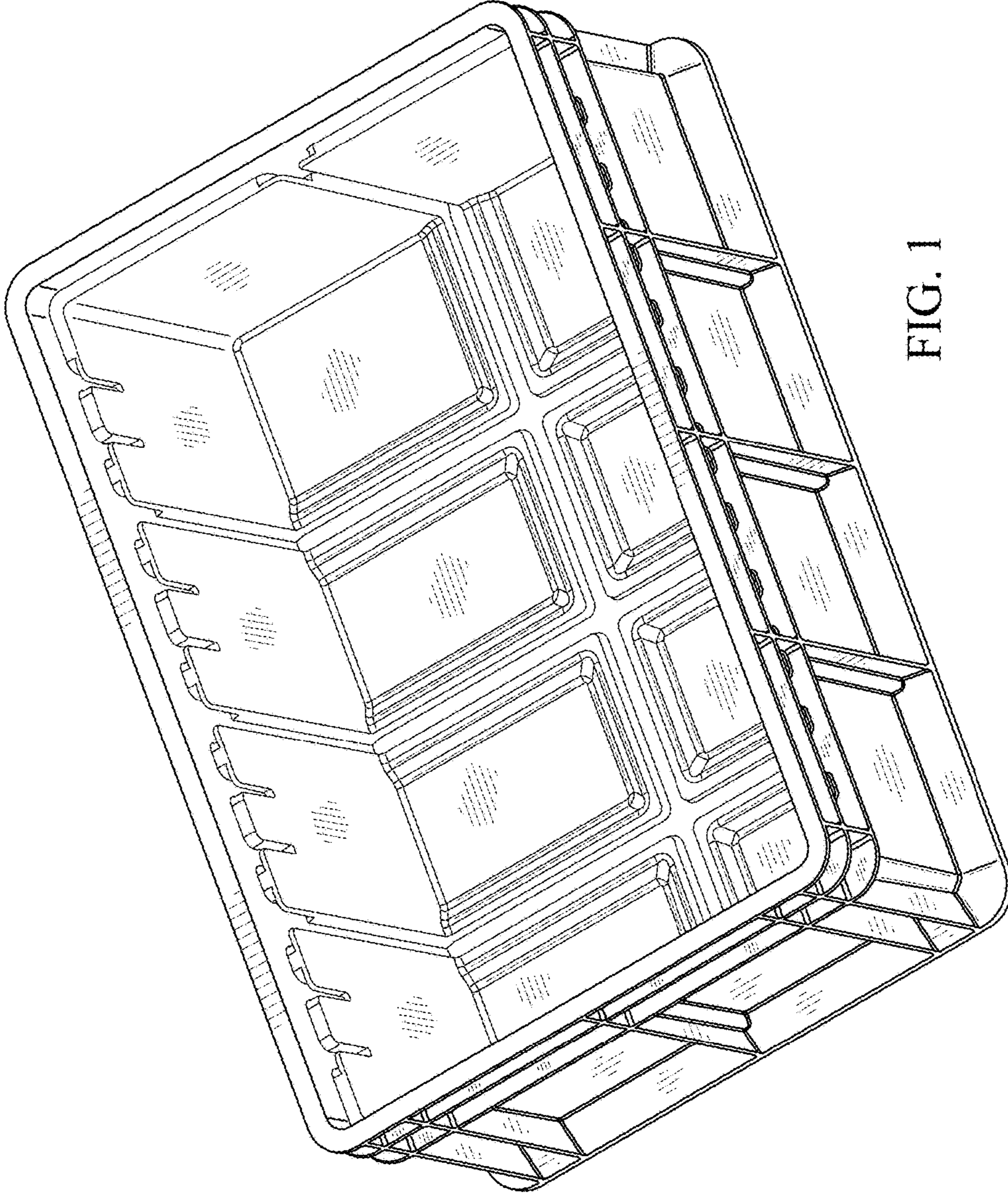


FIG. 1

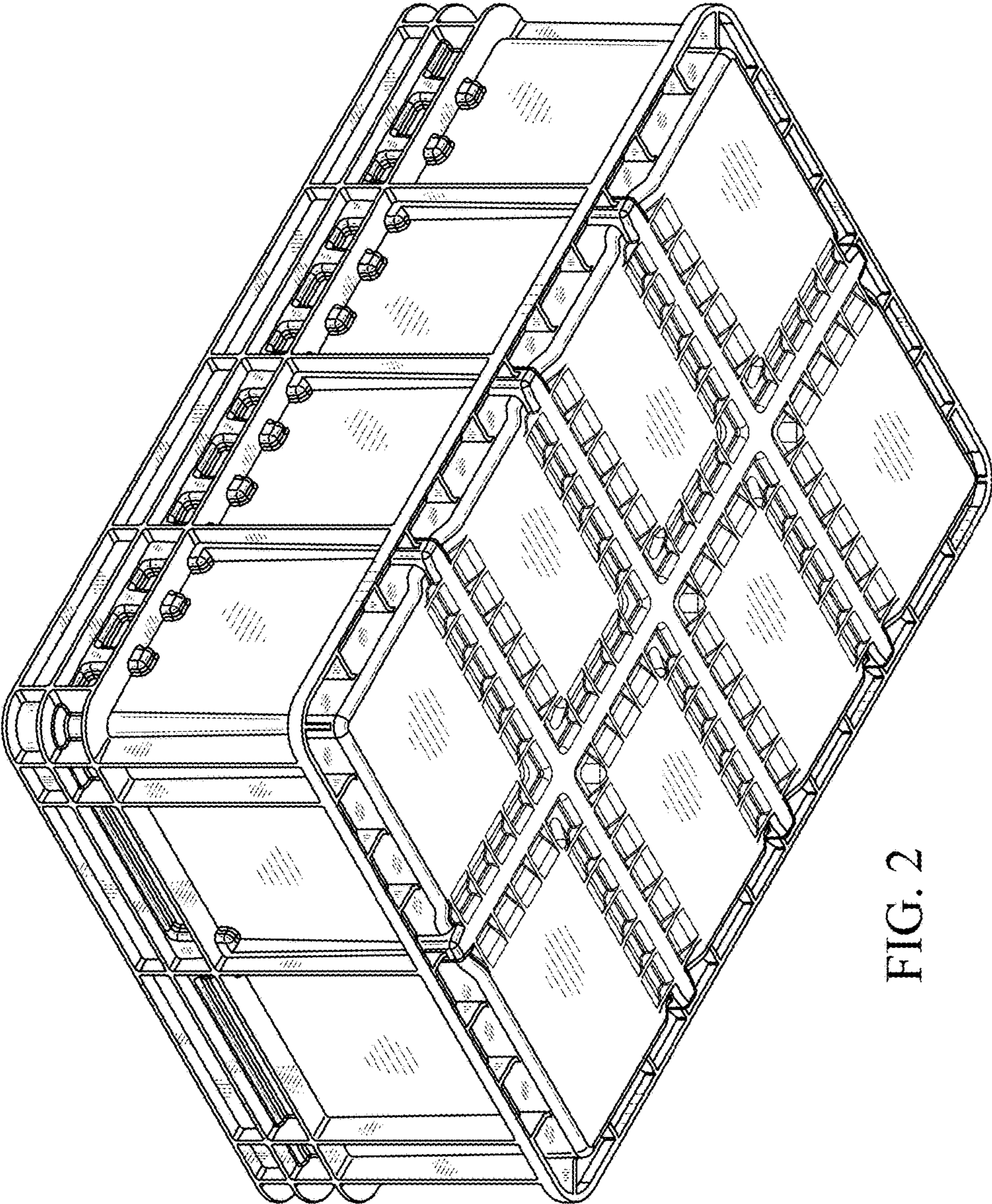


FIG. 2

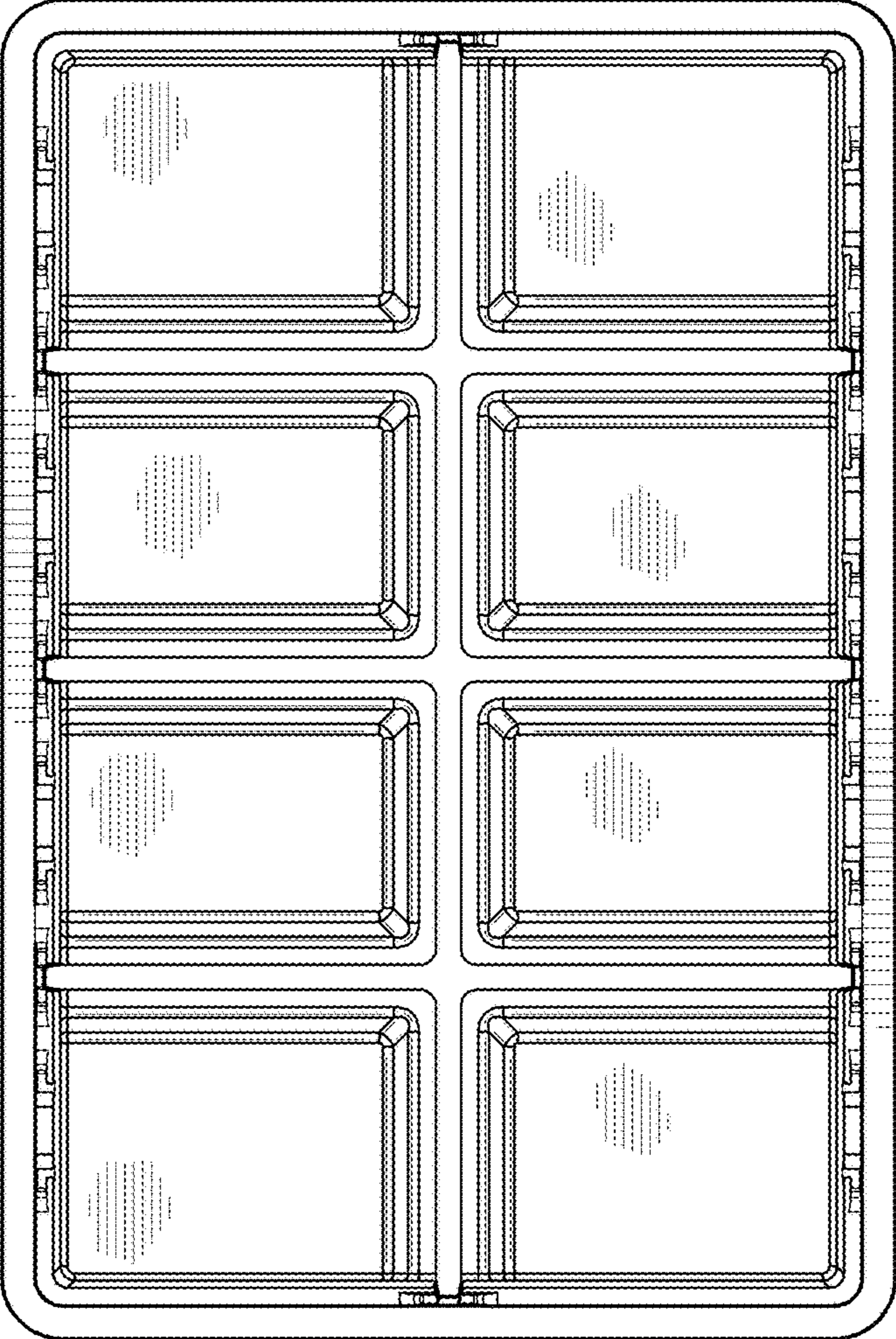


FIG. 3

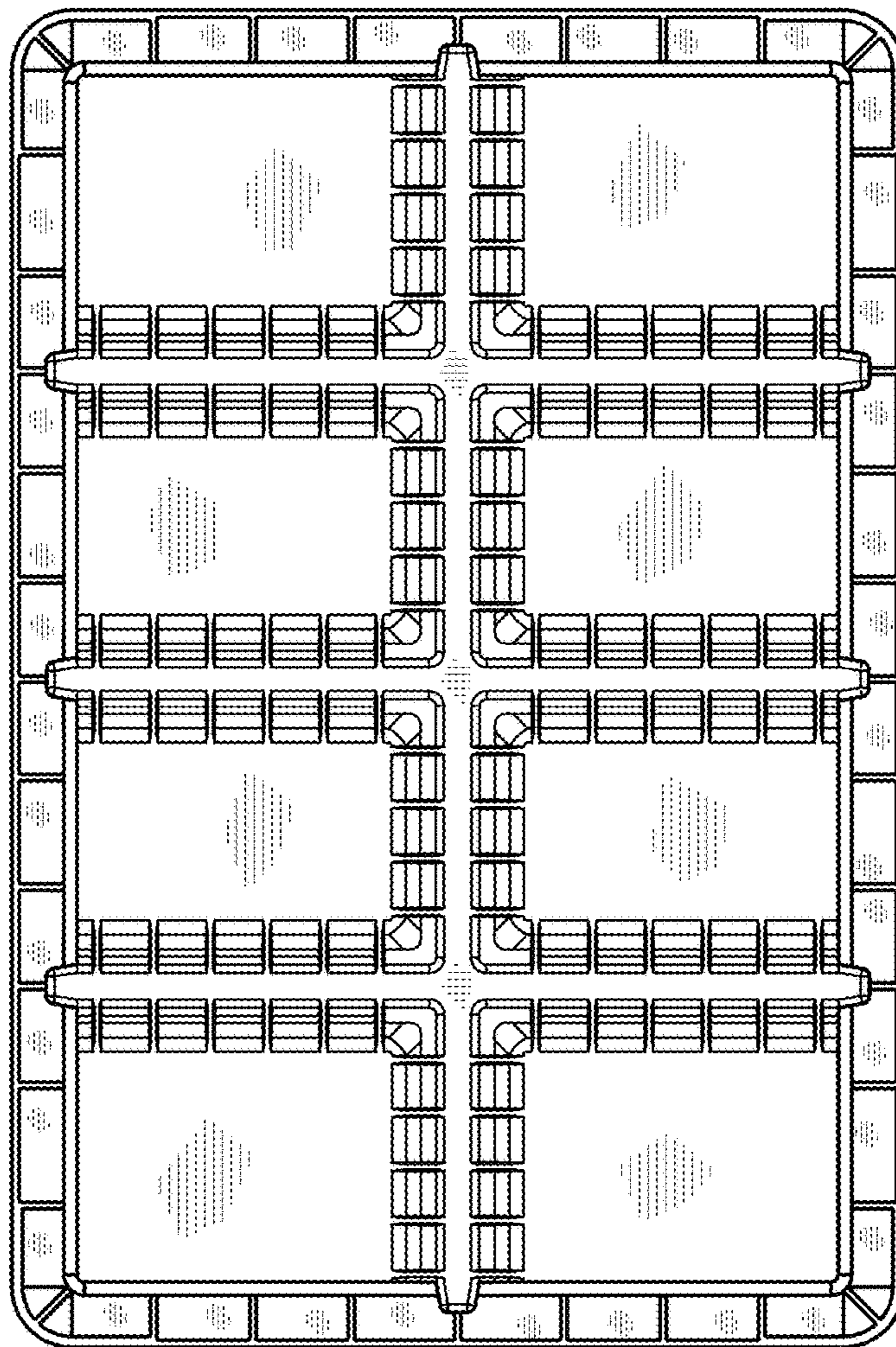


FIG. 4

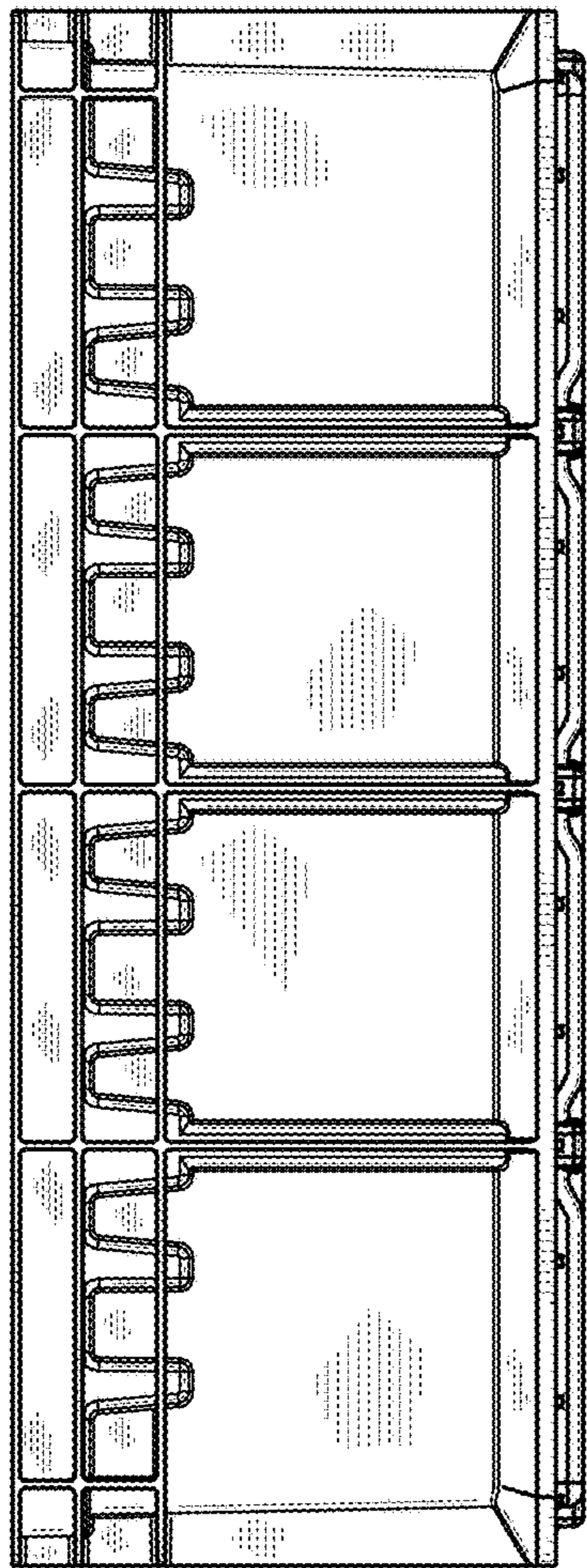


FIG. 5

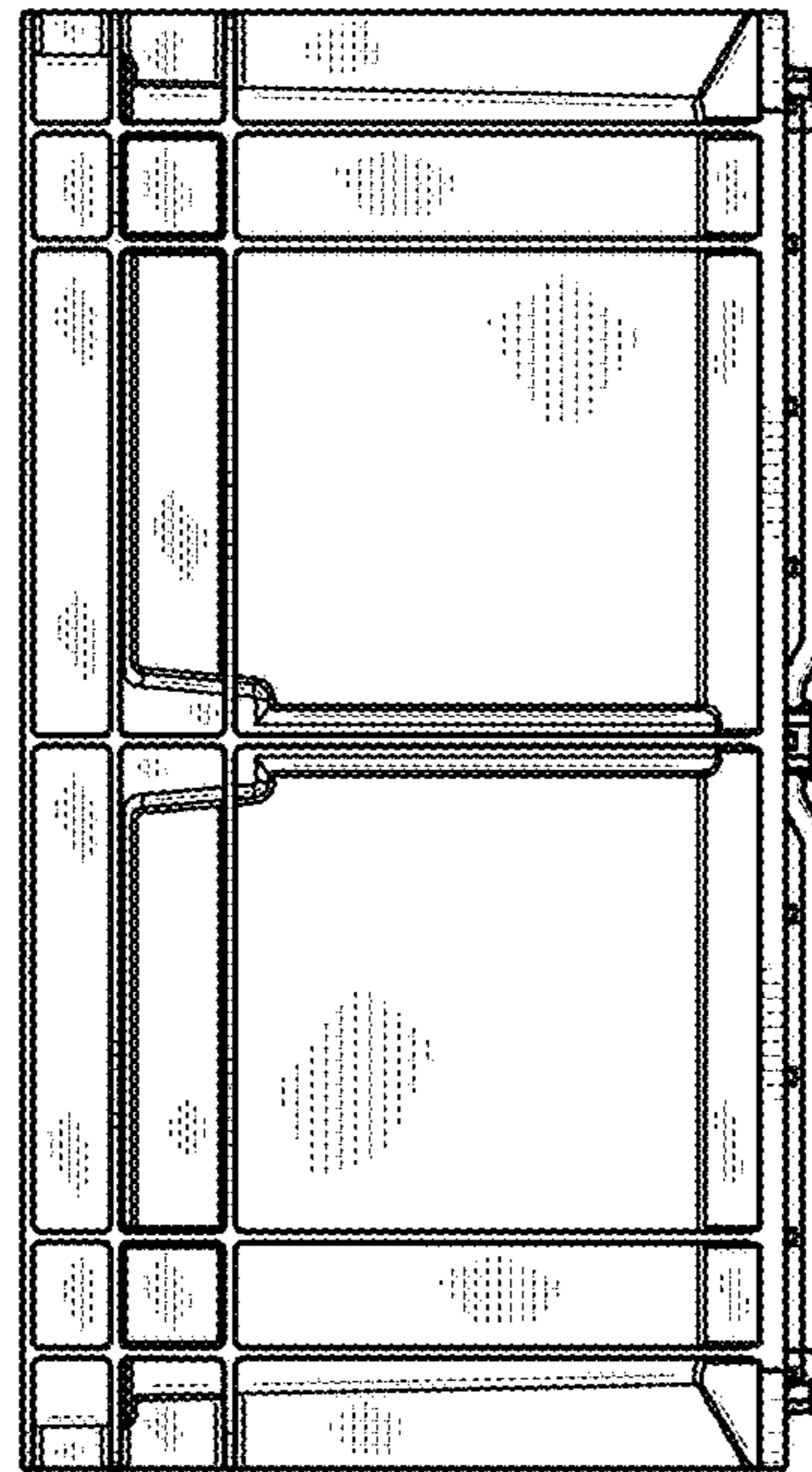


FIG. 6