



US00D797452S

(12) **United States Design Patent**
Schartle

(10) **Patent No.:** **US D797,452 S**

(45) **Date of Patent:** **** Sep. 19, 2017**

(54) **MULTI-BLUEPRINT ARCHITECTURAL DRAWINGS OPEN CASE**

(71) Applicant: **Allen Christopher Schartle**, Bremen, GA (US)

(72) Inventor: **Allen Christopher Schartle**, Bremen, GA (US)

(**) Term: **15 Years**

(21) Appl. No.: **29/545,575**

(22) Filed: **Nov. 13, 2015**

(51) **LOC (10) Cl.** **03-01**

(52) **U.S. Cl.**
USPC **D3/309; D3/313; D3/314**

(58) **Field of Classification Search**

USPC D3/212, 225, 226, 227, 230, 255, 259, D3/276, 272, 273, 283, 284, 285, 286, D3/287, 289, 290, 294, 295, 300, 301, D3/303, 304, 312, 313, 315, 900, 901, D3/903, 904, 905, 254, 260, 233, 204, D3/262, 202; D7/607, 603, 701; D19/102, 106, 107, 86

CPC A47B 63/00; A47B 63/02; A47B 63/06; B65D 1/00; B65D 1/22; B65D 1/24; B65D 1/30; B65D 1/243; B65D 5/48; A45C 11/08; A45C 11/16; A45C 11/20; A45C 11/24; A45C 11/26; A45C 11/36; A45C 11/38; A45C 3/001; A45C 3/00; A45C 3/02; A45C 3/04; A45C 3/12; A45C 2003/002; A45C 2003/007; A45C 2003/008; A45C 2005/032; A45C 2005/035; A45C 2005/037; A45C 5/00; A45C 5/04; A45C 5/06

See application file for complete search history.

(56) **References Cited**

U.S. PATENT DOCUMENTS

3,011,852 A * 12/1961 Mahan A47B 63/02
206/391
3,148,768 A * 9/1964 Gatto B65D 1/30
206/256

3,321,259 A * 5/1967 Fiterman A47B 63/02
312/259
3,580,471 A * 5/1971 Burke B65D 5/48026
217/30
3,812,996 A * 5/1974 Bunnell B65D 1/243
206/504
3,912,055 A 10/1975 Malooly
(Continued)

OTHER PUBLICATIONS

Amazon. "Safco Products 4960 Steel Roll File Horizontal Storage Cabinet." First reviewed Jun. 15, 2015. Retrieved Sep. 26, 2016. (<https://www.amazon.com/Safco%C2%ADProducts%C2%AD4960%C2%ADHorizontal%C2%ADStorage/dp/B003554-16G/>).*

(Continued)

Primary Examiner — Jennifer Rivard
Assistant Examiner — Jerry Hsu
(74) *Attorney, Agent, or Firm* — Jones IP Law, LLC;
Dennis W. Jones

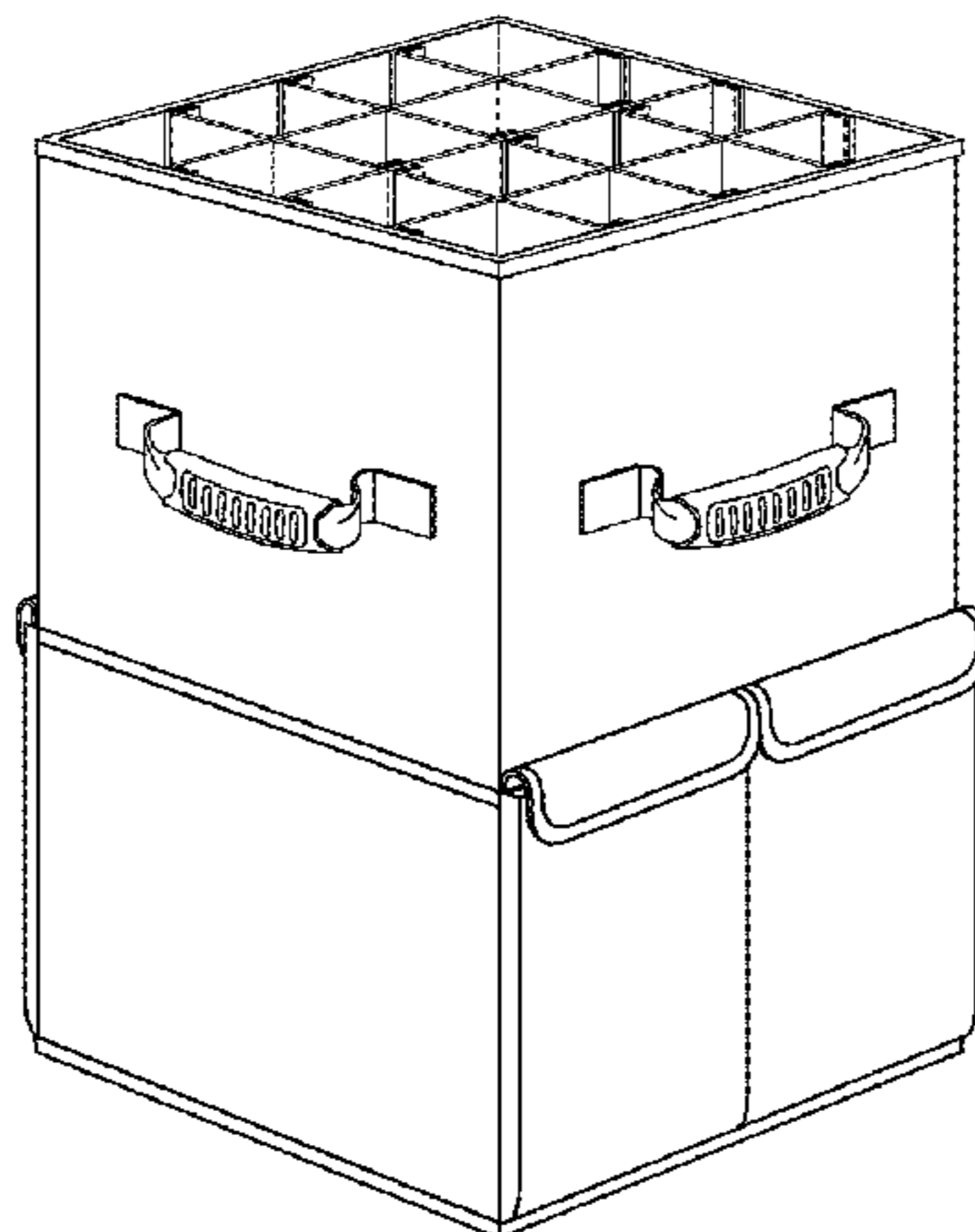
(57) **CLAIM**

The ornamental design for a multi-blueprint architectural drawings open case, as shown and described.

DESCRIPTION

FIG. 1 is a front right perspective view of a multi-blueprint architectural drawings open case;
FIG. 2 is an exploded front right perspective view thereof;
FIG. 3 is a top plan view thereof;
FIG. 4 is a bottom plan view thereof;
FIG. 5 is a front elevation view thereof; and,
FIG. 6 is a left side elevation view thereof.
The broken lines illustrate portions of the article and form no part of the claimed design.

1 Claim, 4 Drawing Sheets



(56)

References Cited

U.S. PATENT DOCUMENTS

RE29,262 E *	6/1977	Utz	B65D 1/243 206/427
4,217,012 A *	8/1980	Klaus	A47B 55/06 312/111
4,433,883 A *	2/1984	Boender	G09F 5/00 211/191
4,542,826 A *	9/1985	Adams	A45C 3/04 206/427
5,791,481 A *	8/1998	Thomas	B65D 25/04 206/581
5,996,749 A	12/1999	Hillsberg	
6,305,587 B1	10/2001	Miller	
D587,897 S *	3/2009	Radke	D3/202
8,522,939 B2	9/2013	Rowe	
2003/0222129 A1 *	12/2003	Williams	B65D 5/48004 229/120.31
2015/0238032 A1 *	8/2015	Parks	B65D 1/243 220/528

OTHER PUBLICATIONS

Amazon. "Adir Corrugated Cardboard 16 Roll File." First reviewed Dec. 11, 2012. Retrieved Sep. 26, 2016. (<https://www.amazon.com/Adir%C2%ADCorrugated%C2%ADCardboard%C2%ADUpright%C2%ADStorage/dp/B007VF9JXQ/>).*

Amazon. "Elf Stor Premium Christmas 30 Inch Wrapping Paper Storage Box with Lid." First reviewed Jan. 17, 2015. Retrieved Oct. 6, 2016. (<https://www.amazon.com/dp/B00OHNF3Q2/>).*

* cited by examiner

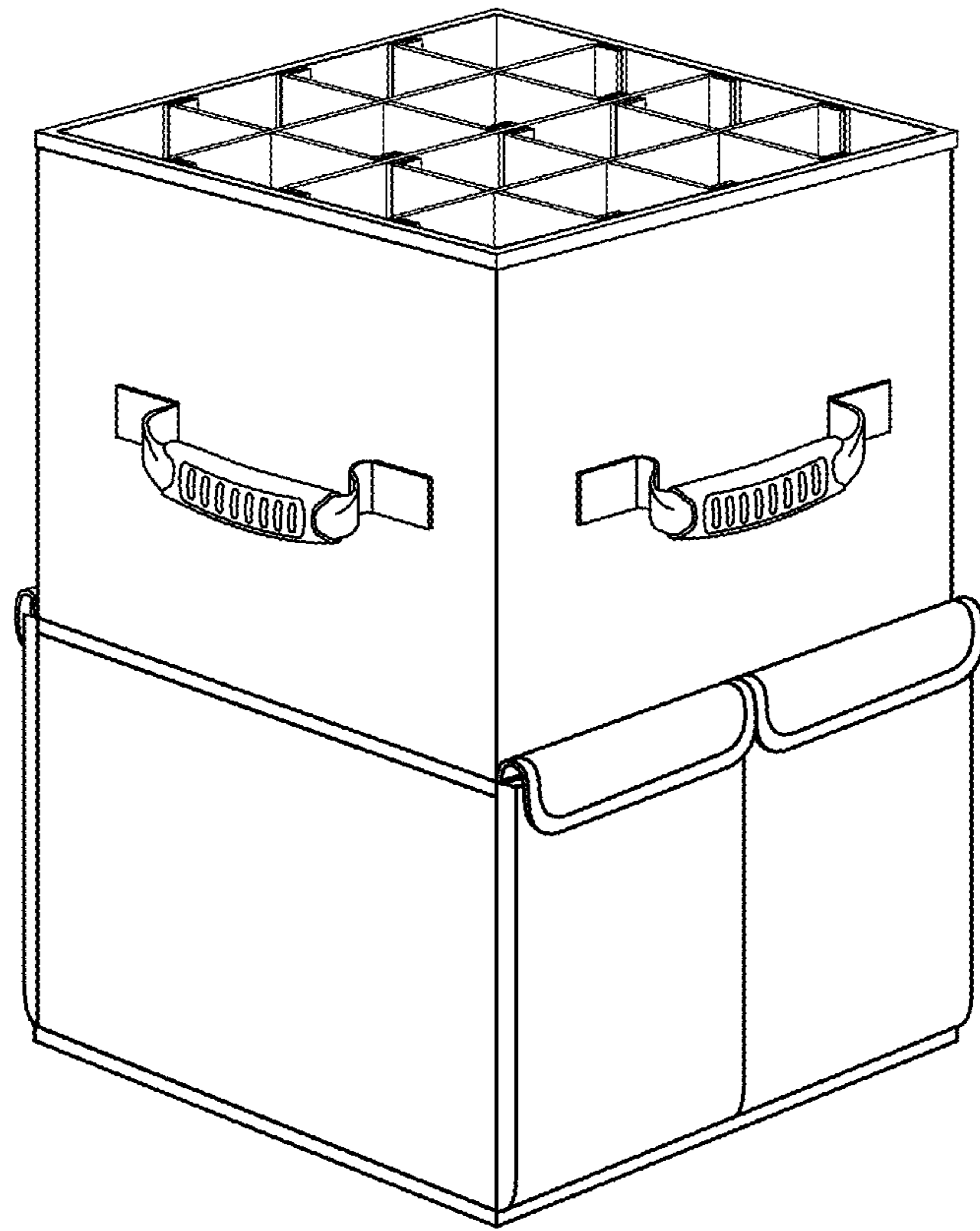


Fig. 1

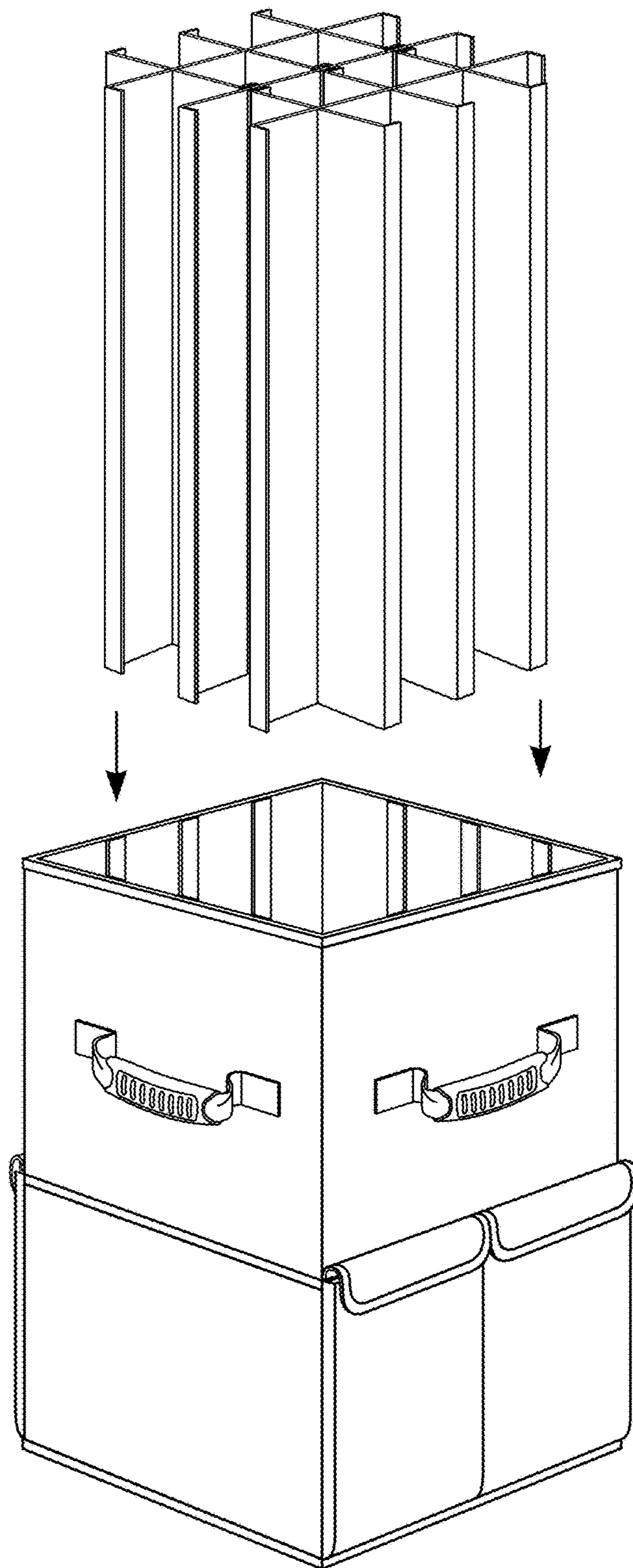


Fig. 2

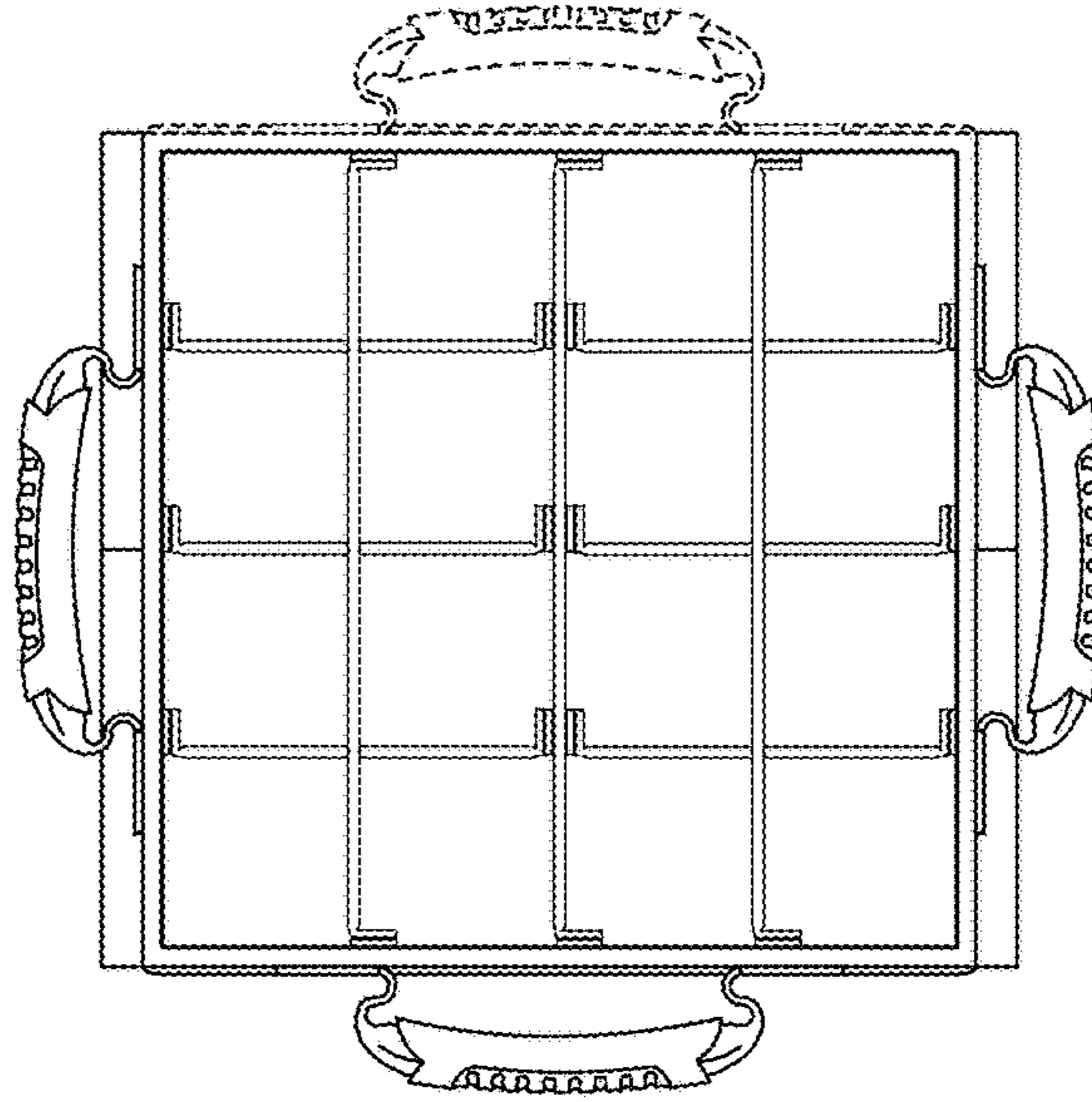


Fig. 3

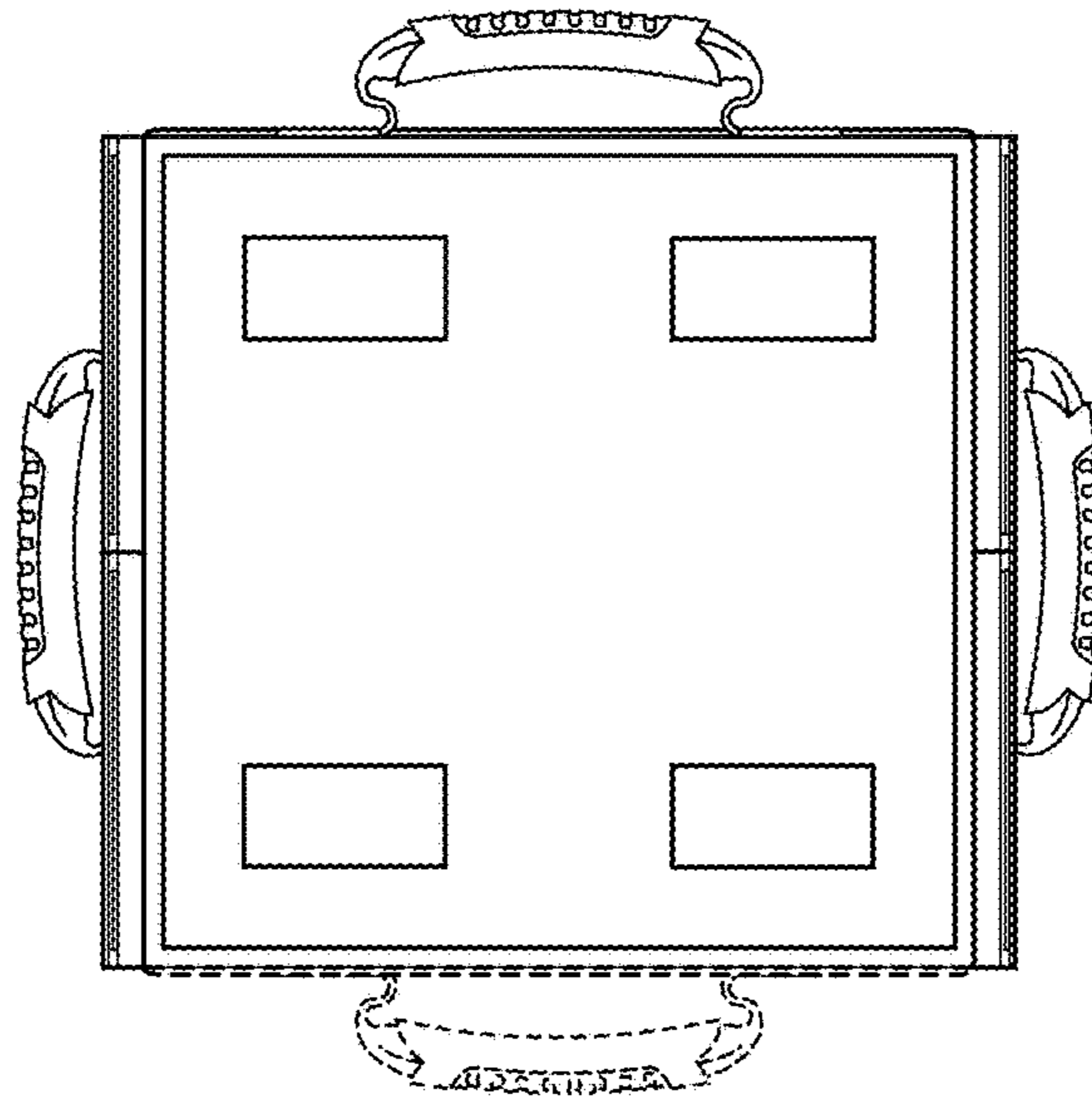


Fig. 4

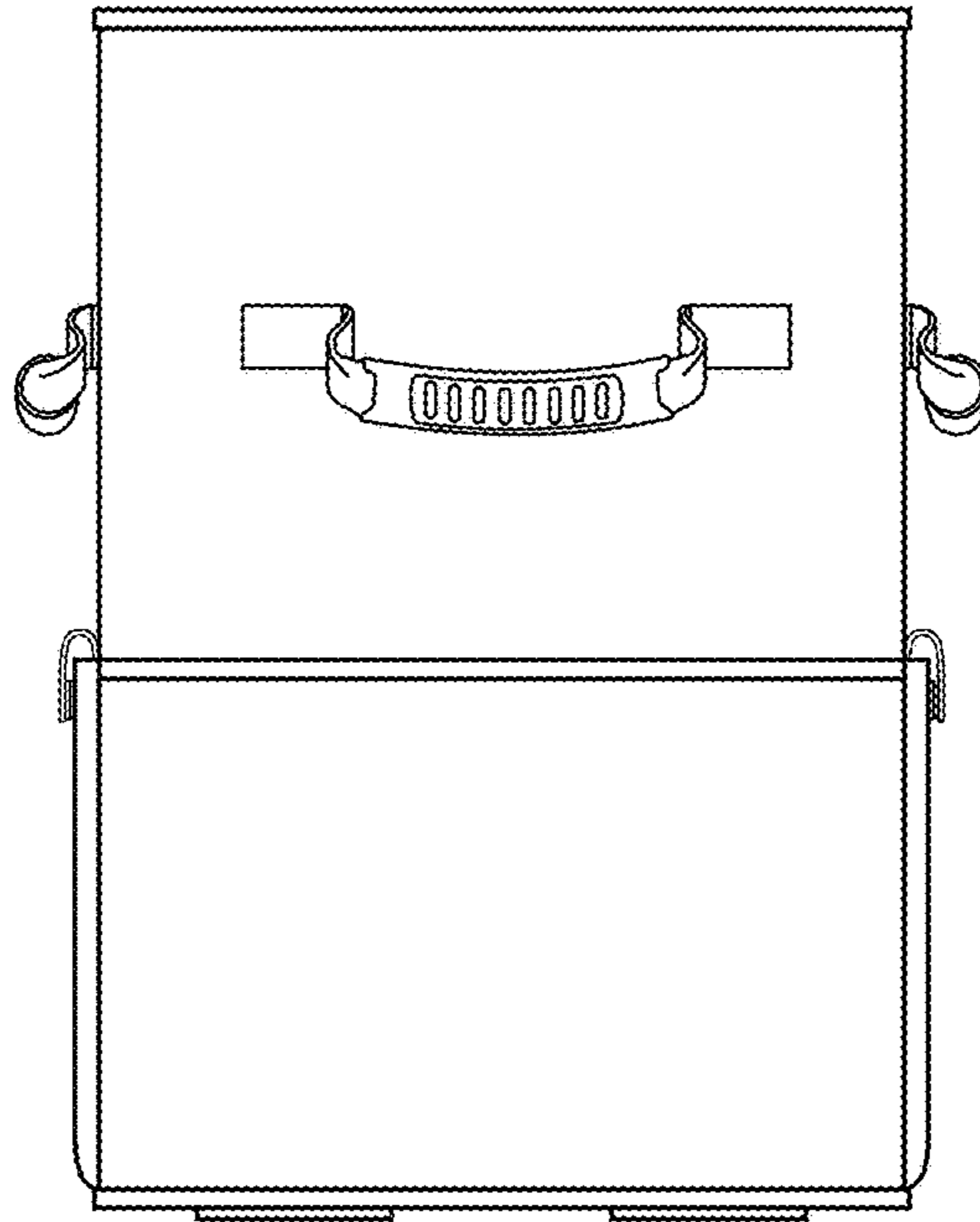


Fig. 5

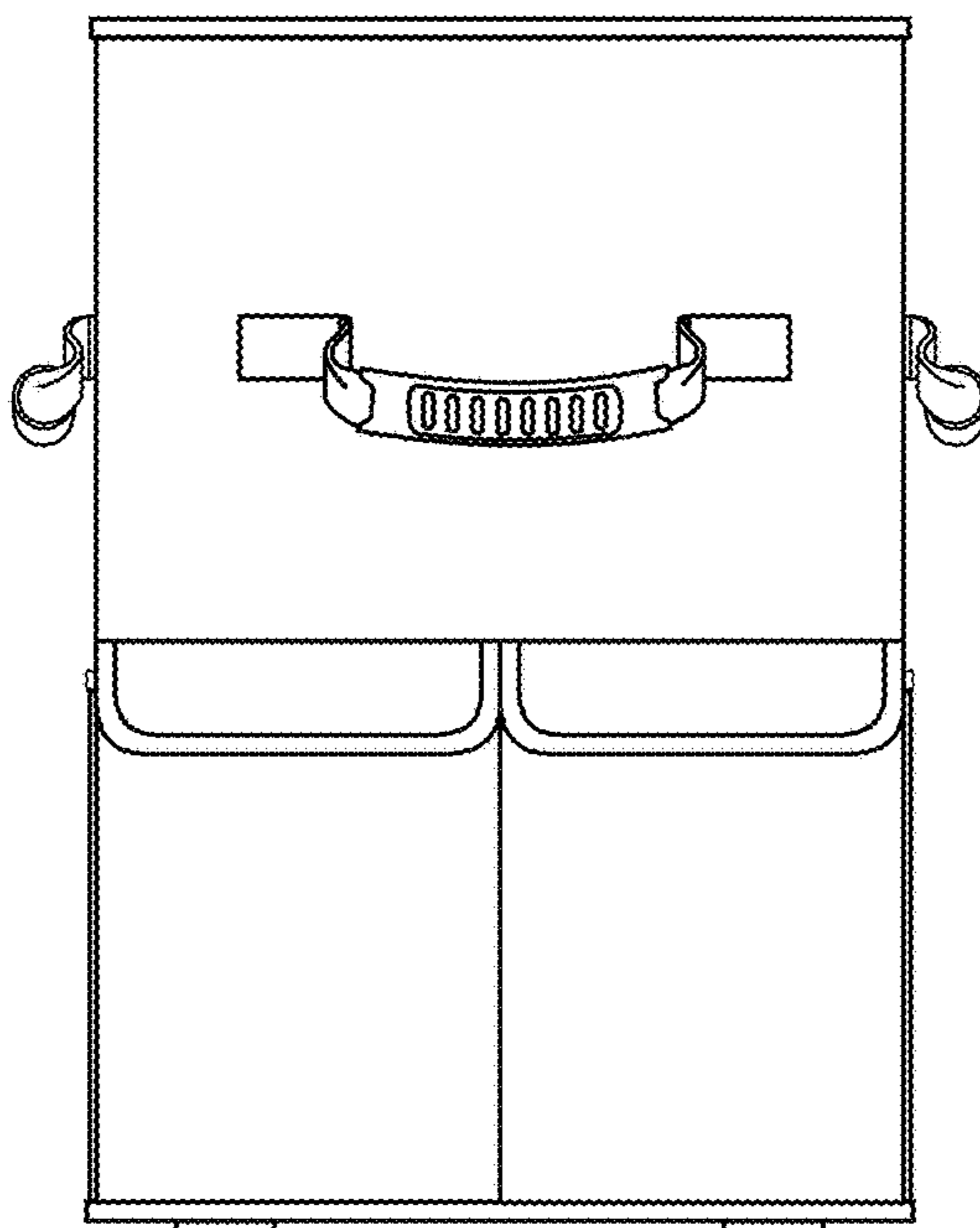


Fig. 6