



US00D797451S

(12) **United States Design Patent**
Levy et al.

(10) **Patent No.:** **US D797,451 S**

(45) **Date of Patent:** **** *Sep. 19, 2017**

(54) **STORAGE BIN**

(71) Applicant: **NAVAJO MANUFACTURING COMPANY, INC.**, Denver, CO (US)

(72) Inventors: **Gordon Levy**, Golden, CO (US);
Shawn Shelton, Denver, CO (US)

(73) Assignee: **Navajo Manufacturing Company, Inc.**, Denver, CO (US)

(*) Notice: This patent is subject to a terminal disclaimer.

(**) Term: **15 Years**

(21) Appl. No.: **29/582,775**

(22) Filed: **Oct. 31, 2016**

Related U.S. Application Data

(63) Continuation-in-part of application No. 29/561,108, filed on Apr. 13, 2016.

(51) **LOC (10) Cl.** **03-01**

(52) **U.S. Cl.**
USPC **D3/304**

(58) **Field of Classification Search**
USPC D3/304, 305, 306, 307-309, 315-316;
D7/601-602; D6/672, 683
CPC . B65D 1/34; B65D 1/36; B65D 21/00; B65D
1/00; B65D 1/22
See application file for complete search history.

(56) **References Cited**

U.S. PATENT DOCUMENTS

3,113,680 A * 12/1963 Frater B65D 21/048
206/507
D274,012 S * 5/1984 Williams D3/304
D327,561 S * 6/1992 Hradisky D3/307

D327,971 S * 7/1992 Cugley D3/304
D467,732 S * 12/2002 Taylor D3/304
D538,539 S * 3/2007 Richardson D3/314
D581,159 S * 11/2008 Neilsen D3/304
D581,670 S * 12/2008 Neilsen D3/304
D582,190 S * 12/2008 Valiulis D6/567
D606,314 S * 12/2009 Neilsen D3/313
D630,852 S * 1/2011 Kobilarcik D3/307
D639,560 S * 6/2011 Brown D3/304
D639,562 S * 6/2011 Cadwell D3/307
D651,801 S * 1/2012 Brown D3/304
D699,034 S * 2/2014 Engert D3/304
D731,185 S * 6/2015 Hsu D3/304
D762,065 S * 7/2016 Hsu D3/304
D766,574 S * 9/2016 Hsu D3/304
D775,057 S * 12/2016 Meckler D12/407

* cited by examiner

Primary Examiner — Kelley Donnelly

(74) *Attorney, Agent, or Firm* — Stuebaker & Brackett
PC

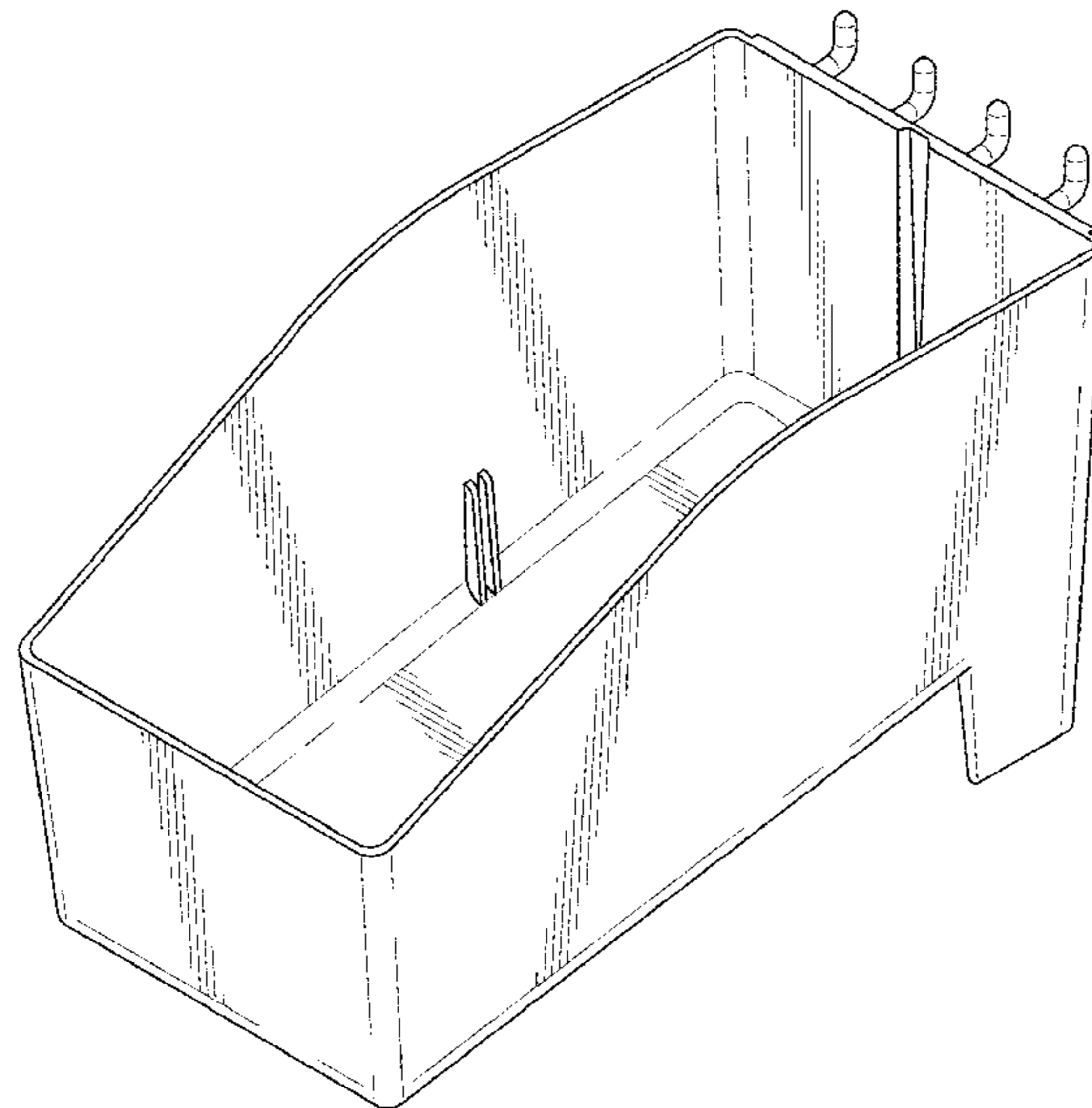
(57) **CLAIM**

The ornamental design for a storage bin, as shown and described.

DESCRIPTION

FIG. 1 is a front perspective view showing our new design for a storage bin,
FIG. 2 is a front view thereof,
FIG. 3 is a rear view thereof,
FIG. 4 is a top view thereof,
FIG. 5 is a bottom view thereof,
FIG. 6 is a right side view thereof,
FIG. 7 is a left side view thereof,
FIG. 8 is a front perspective view showing a separation plate installed,
FIG. 9 is a front view thereof; and,
FIG. 10 is a top view thereof.

1 Claim, 6 Drawing Sheets



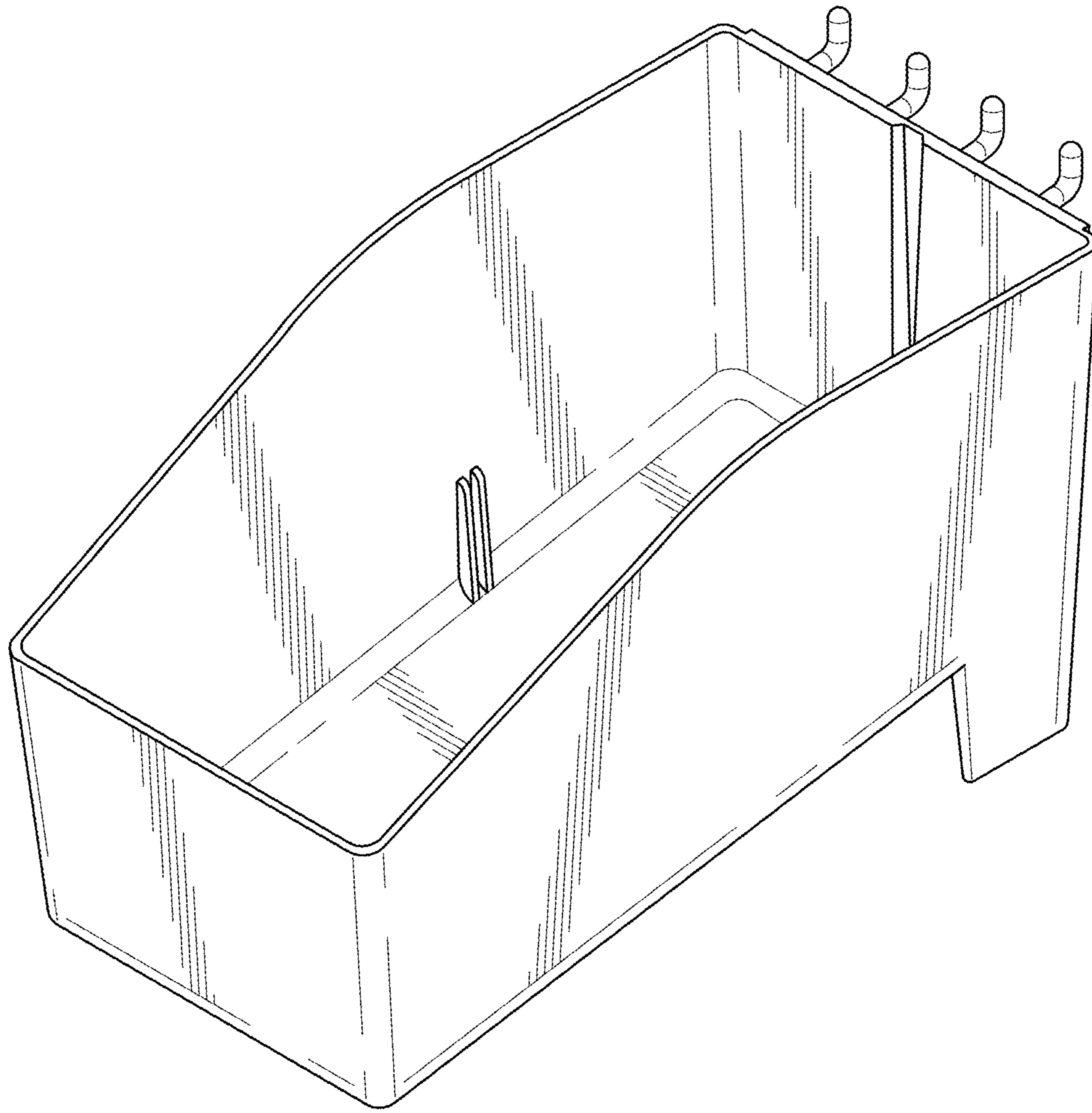


FIG. 1

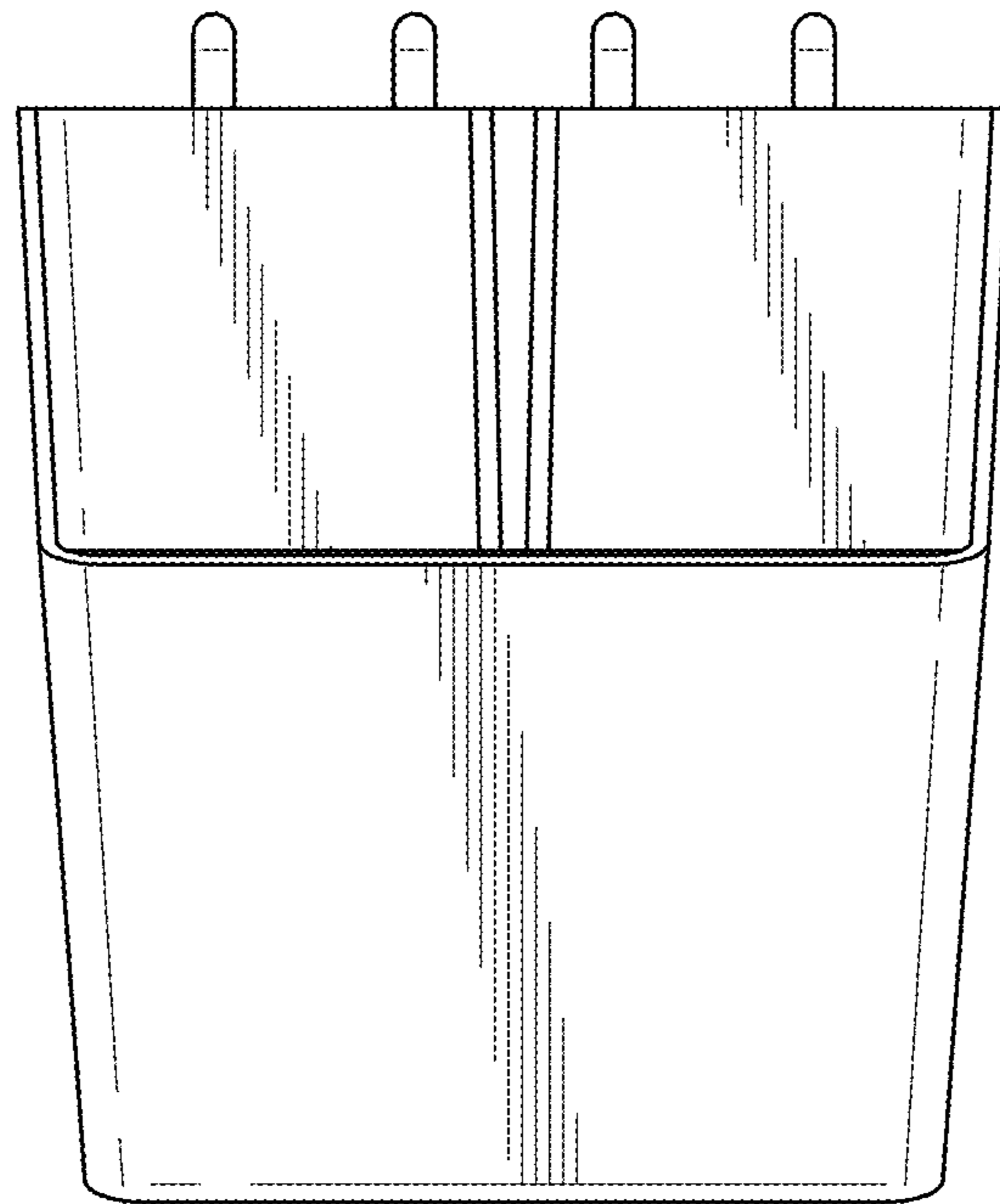


FIG. 2

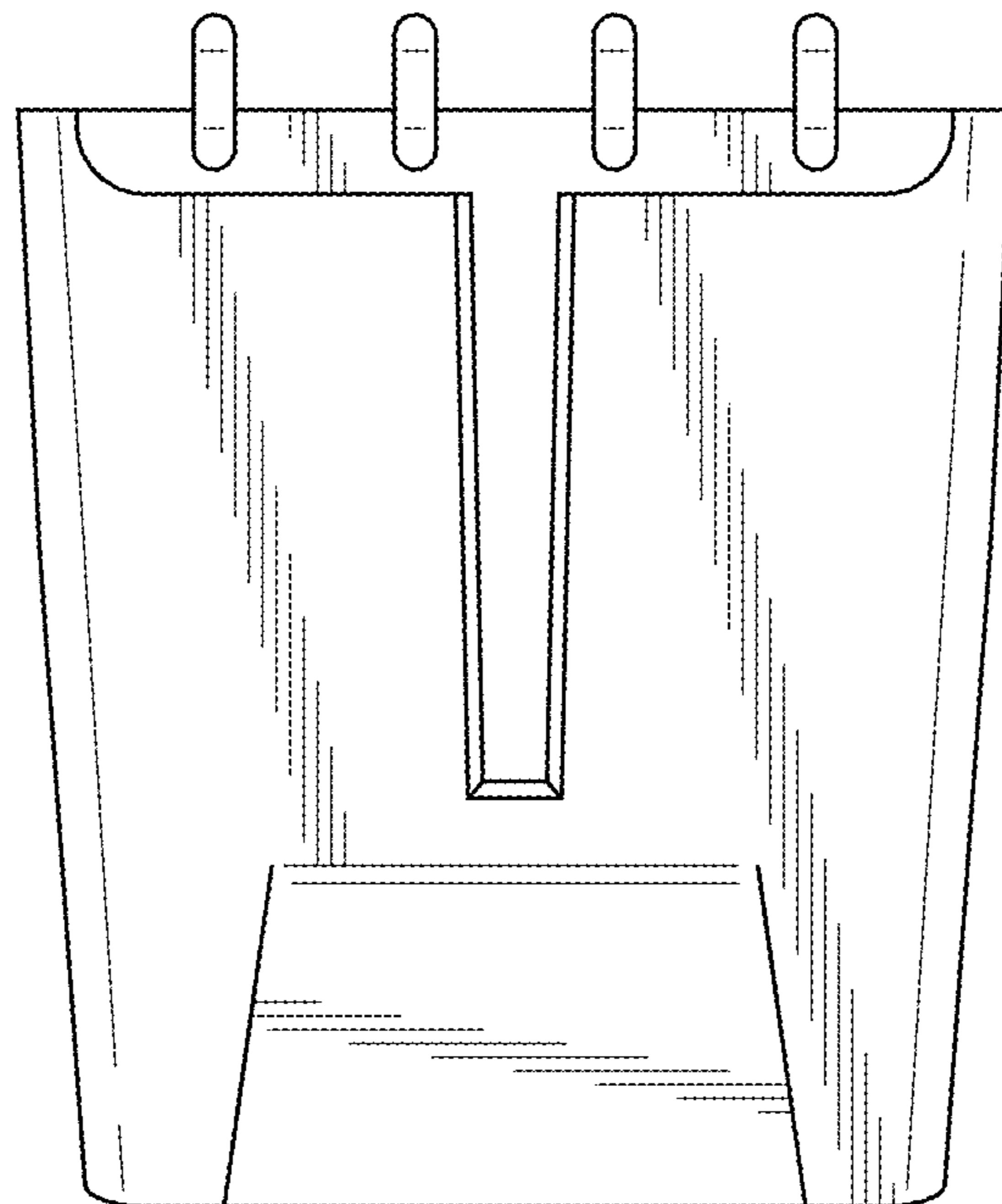


FIG. 3

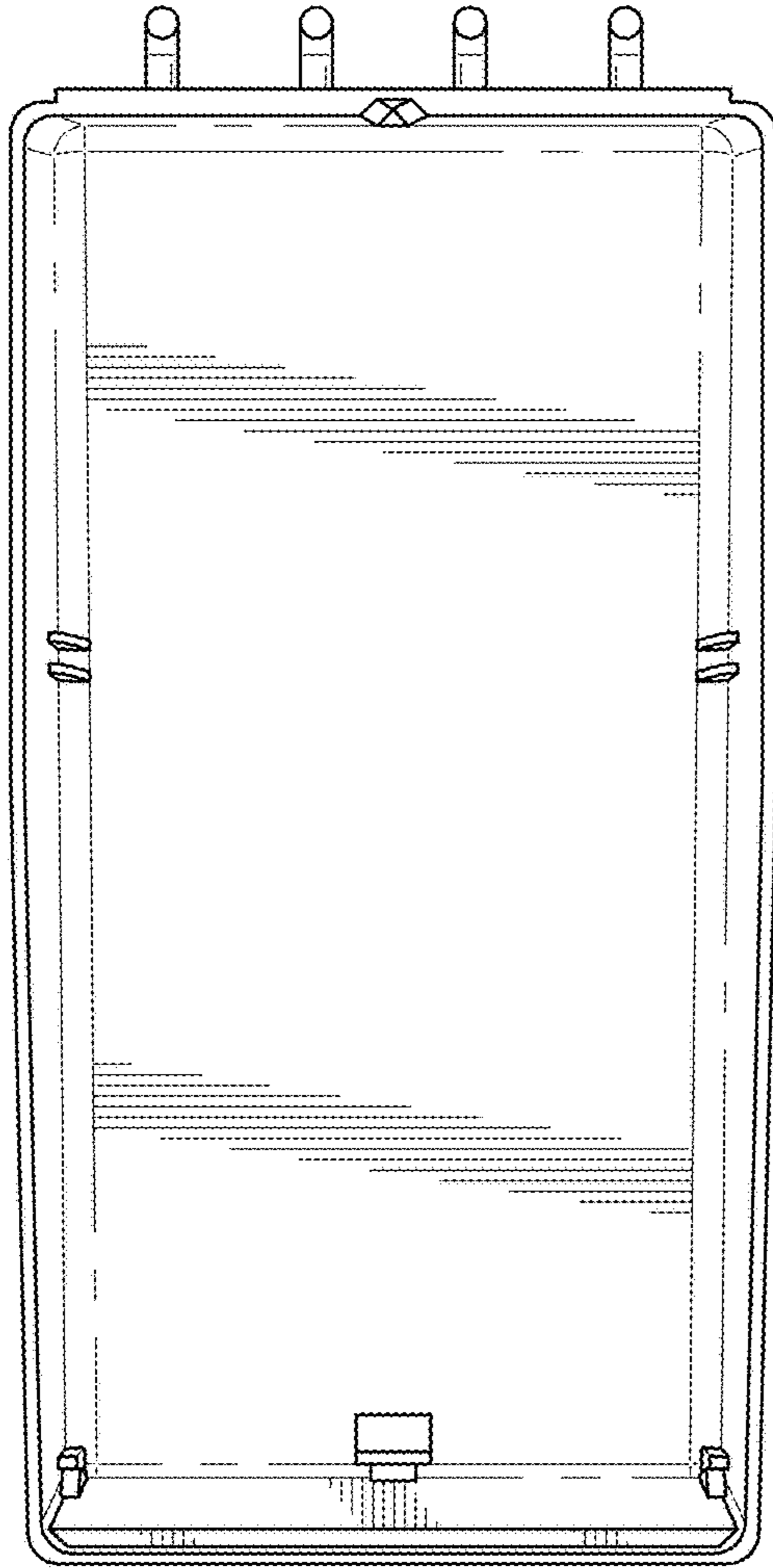


FIG. 4

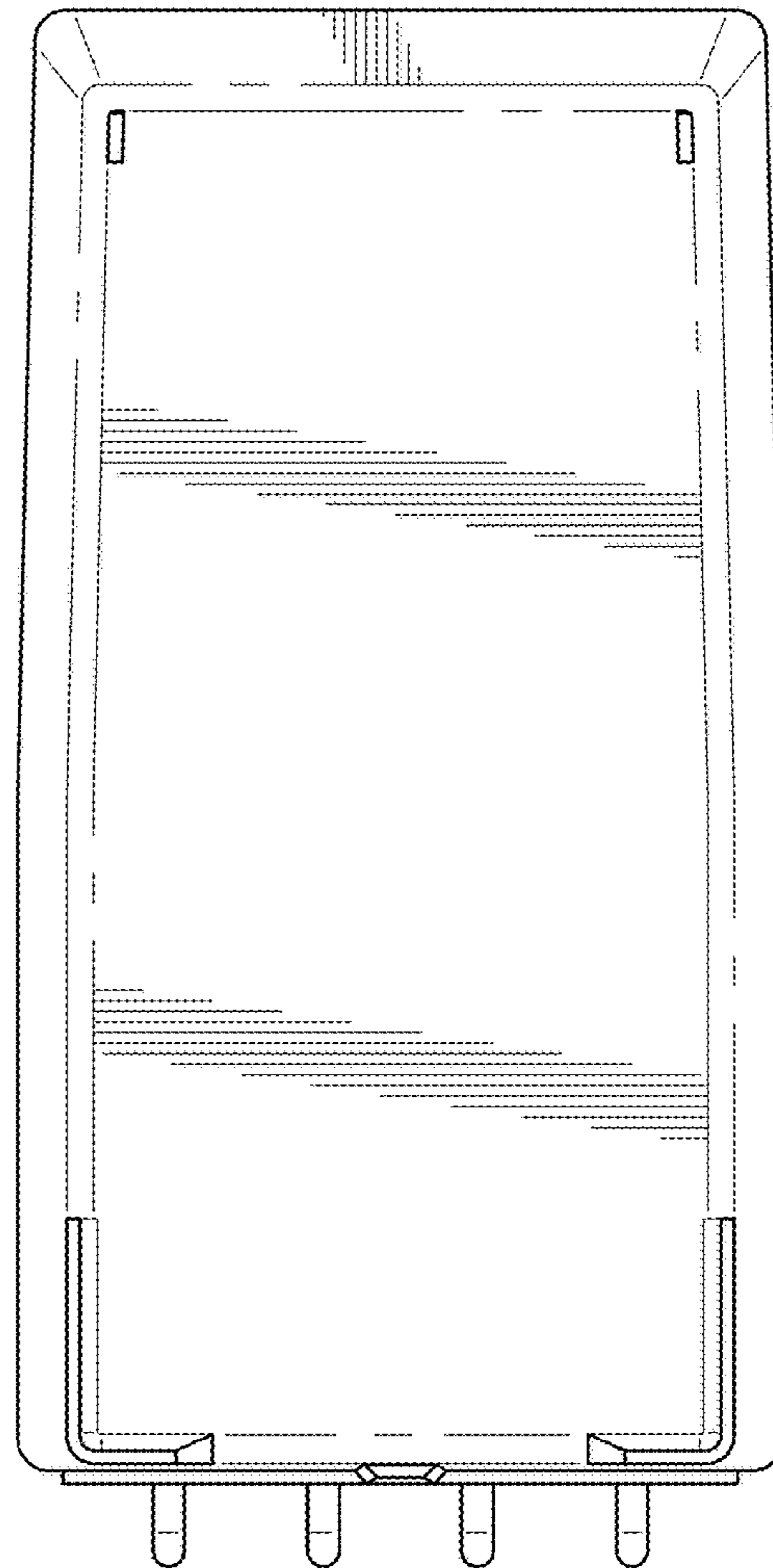


FIG. 5

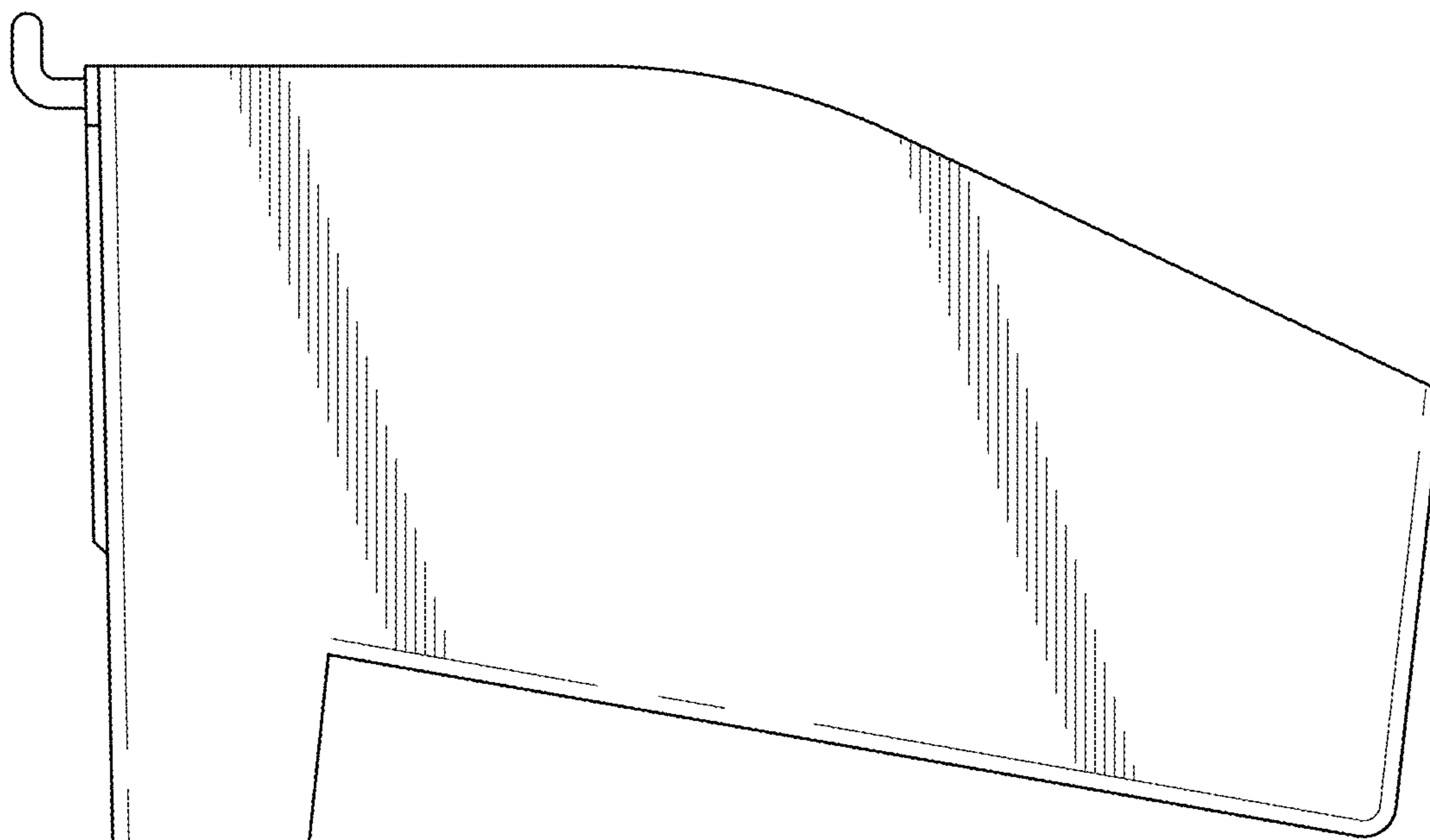


FIG. 6

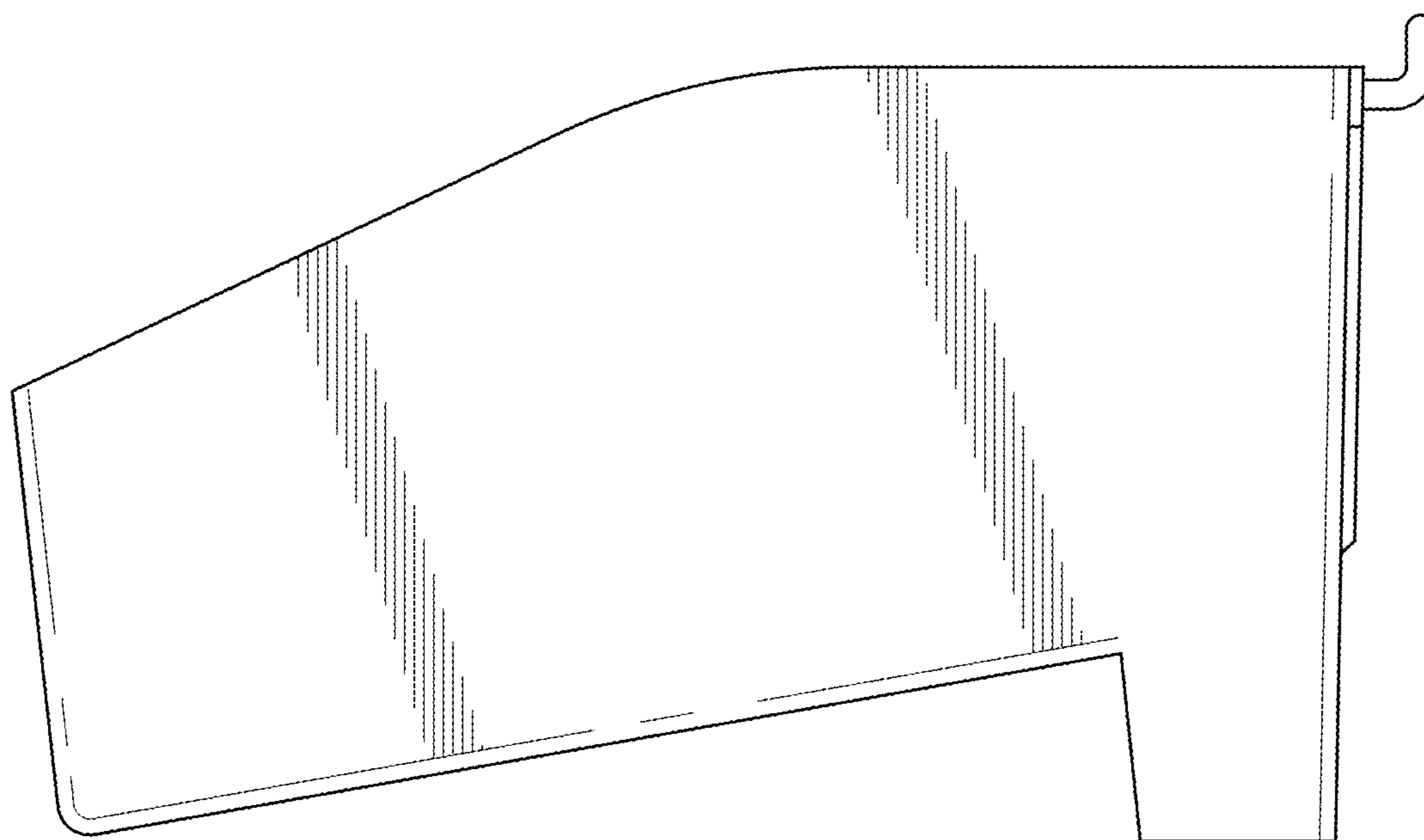


FIG. 7

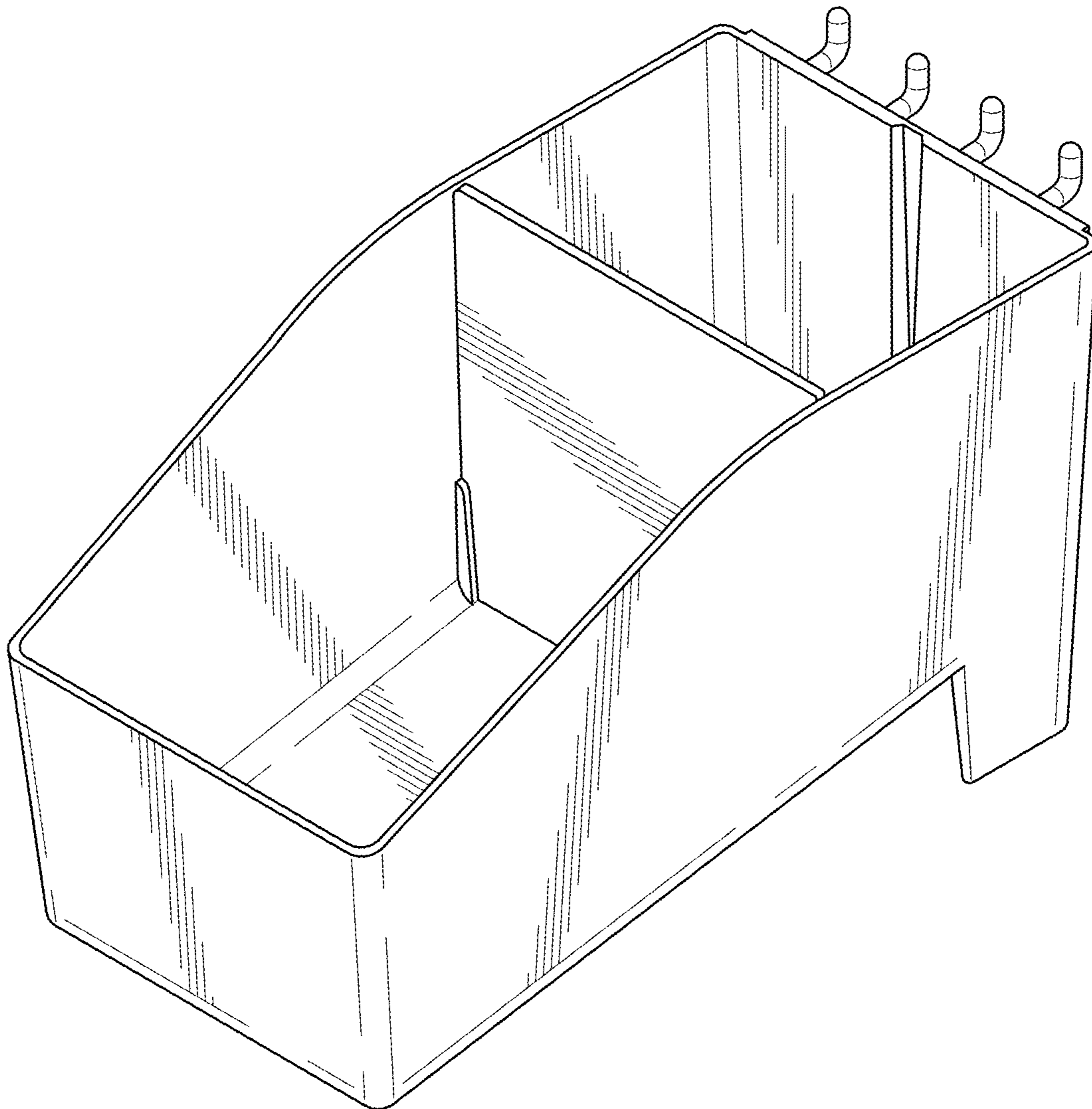


FIG. 8

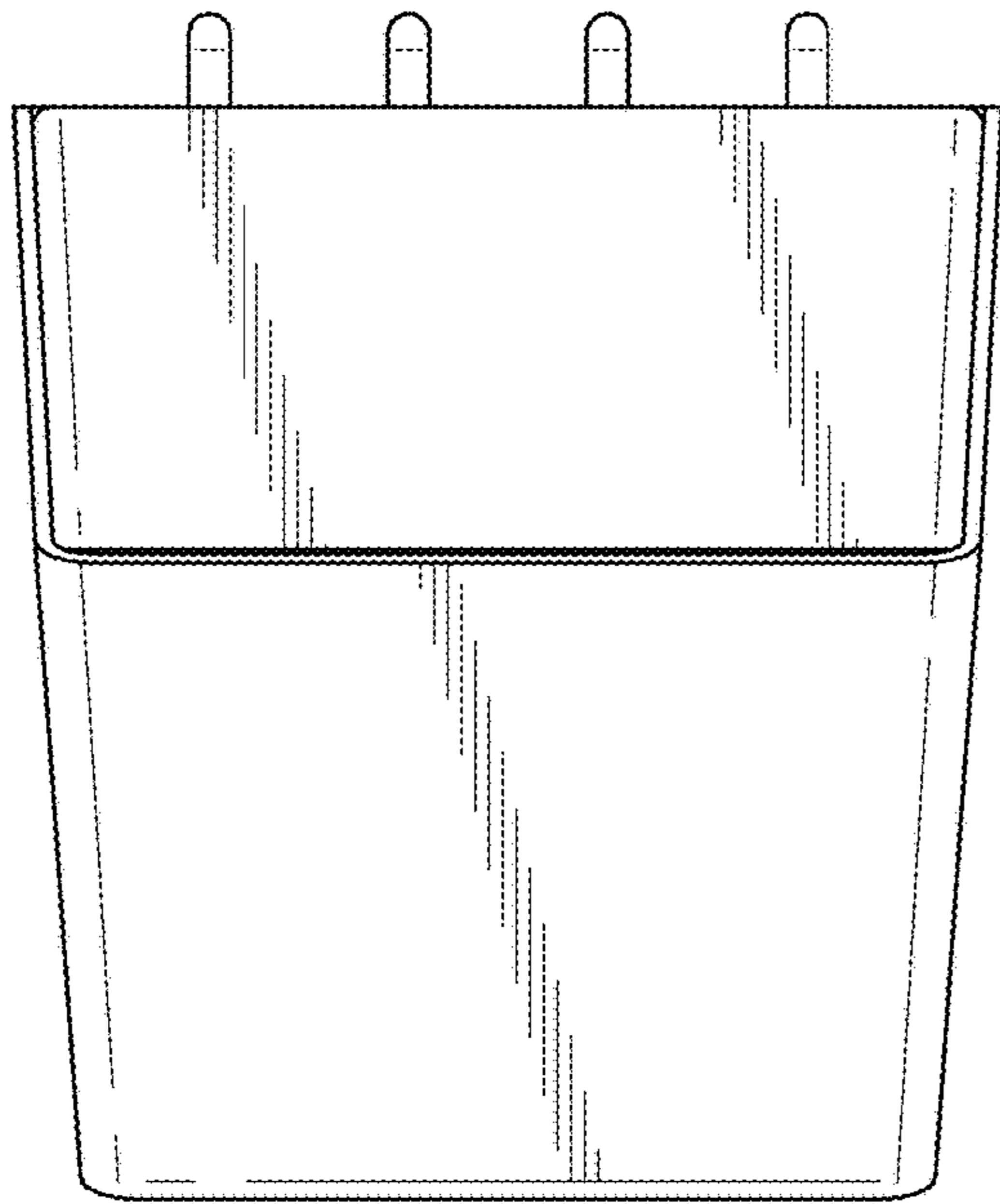


FIG. 9

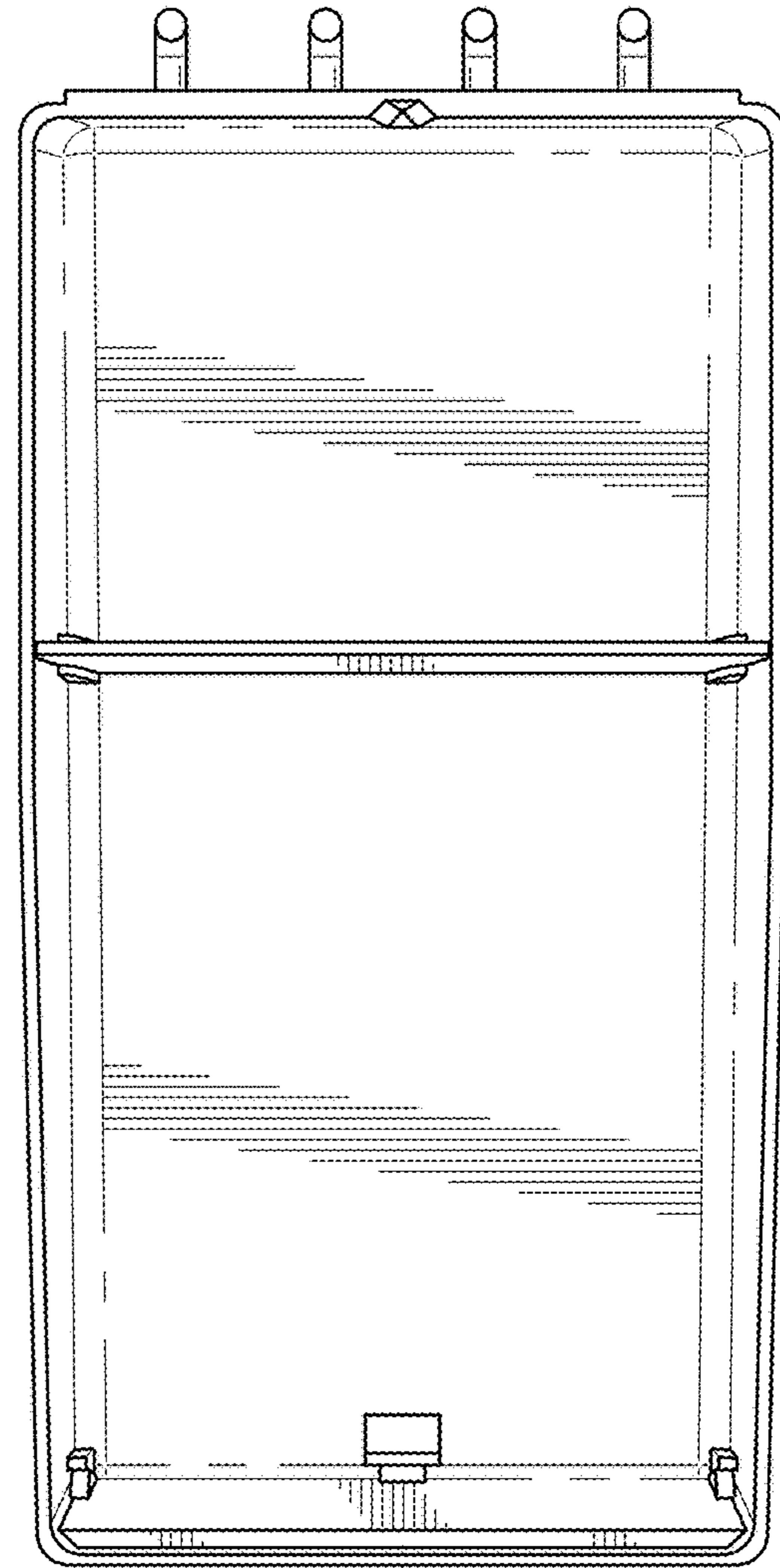


FIG. 10