



US00D797448S

(12) **United States Design Patent** (10) **Patent No.:** **US D797,448 S**
Schartle (45) **Date of Patent:** **** Sep. 19, 2017**

(54) **TRIANGLE BLUEPRINT ARCHITECTURAL DRAWINGS CASE**

(71) Applicant: **Allen Christopher Schartle**, Bremen, GA (US)

(72) Inventor: **Allen Christopher Schartle**, Bremen, GA (US)

(**) Term: **15 Years**

(21) Appl. No.: **29/545,565**

(22) Filed: **Nov. 13, 2015**

(51) **LOC (10) Cl.** **03-01**

(52) **U.S. Cl.**
USPC **D3/289**

(58) **Field of Classification Search**
USPC D3/212, 225, 226, 227, 230, 255, 259, D3/276, 272, 273, 283, 284, 285, 286, D3/287, 289, 290, 294, 295, 300, 301, D3/303, 304, 312, 313, 315, 900, 901, D3/903, 904, 905, 254, 260, 233, 204, D3/262; D7/607, 603, 701; D19/102, D19/106, 107, 86

CPC A47B 63/00; A47B 63/02; A47B 63/06; B65D 1/00; B65D 1/22; B65D 1/24; B65D 1/30; B65D 5/48; A45C 11/08; A45C 11/16; A45C 11/20; A45C 11/24; A45C 11/26; A45C 11/36; A45C 11/38; A45C 3/001; A45C 3/00; A45C 3/02; A45C 3/04; A45C 3/12; A45C 2003/002; A45C 2003/007; A45C 2003/008; A45C 2005/032; A45C 2005/035; A45C 2005/037; A45C 5/00; A45C 5/04; A45C 5/06

See application file for complete search history.

(56) **References Cited**

U.S. PATENT DOCUMENTS

3,912,055 A 10/1975 Malooly
4,380,290 A * 4/1983 Luebke A63C 11/027
206/315.1

D291,842 S * 9/1987 Baumgardner D3/254
D302,775 S * 8/1989 Sinoff D3/202
D316,779 S * 5/1991 Henrickson D3/255
D342,380 S * 12/1993 Hoffman D3/276
D349,602 S * 8/1994 Denault D3/229
D393,152 S * 4/1998 Gibson D3/260
5,996,749 A 12/1999 Hillsberg

(Continued)

OTHER PUBLICATIONS

Amazon. "Caremail Triangular Kraft Mailing Tubes." First available Jan. 10, 2012. Retrieved Sep. 26, 2016. (<https://www.amazon.com/Caremail-Triangular-Mailing-diameter-1407104/dp/B0074NLOWE/>).*

(Continued)

Primary Examiner — Jennifer Rivard

Assistant Examiner — Jerry Hsu

(74) *Attorney, Agent, or Firm* — Jones IP Law, LLC; Dennis W. Jones

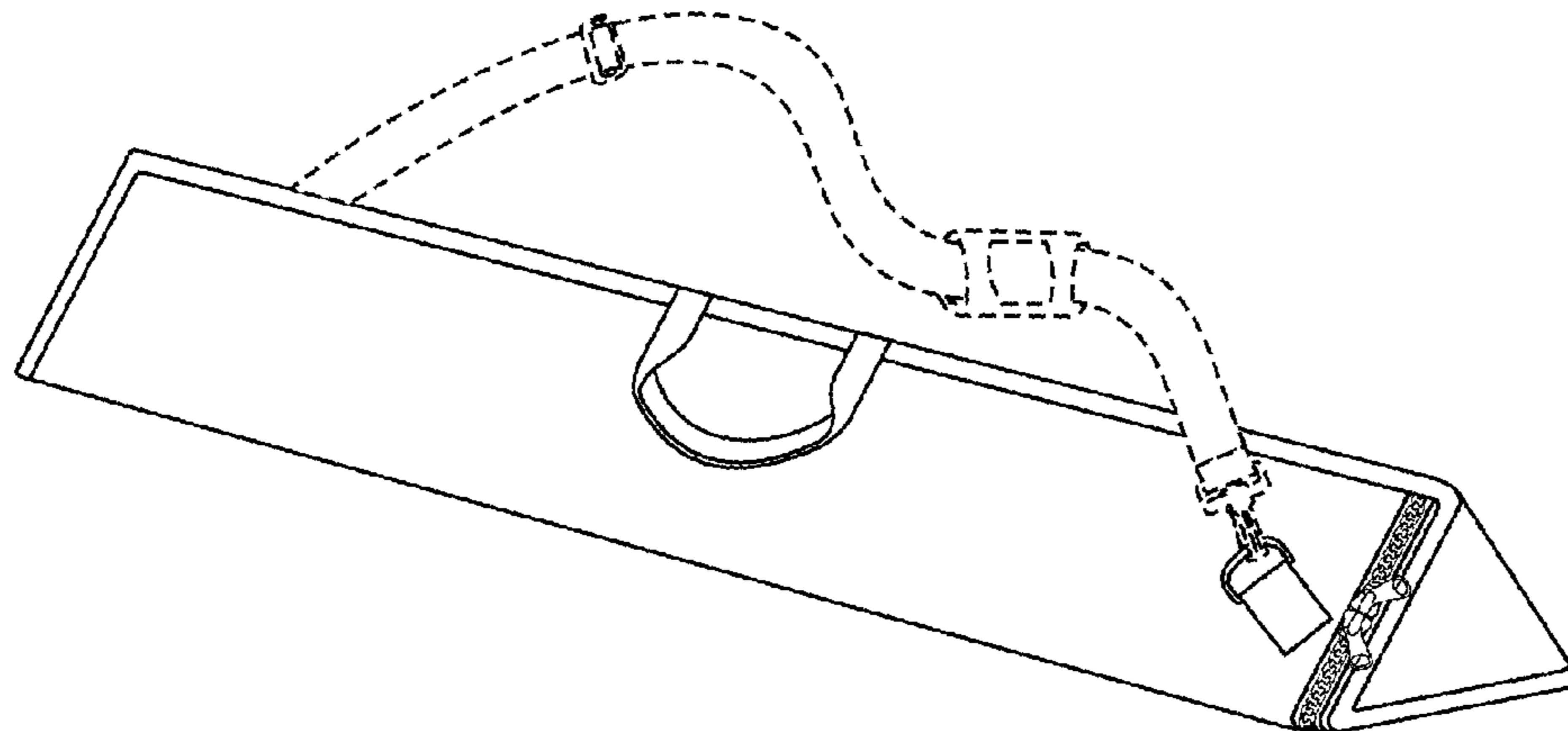
(57) **CLAIM**

The ornamental design for a triangle blueprint architectural drawings case, as shown and described.

DESCRIPTION

FIG. 1 is a front perspective view of a triangle blueprint architectural drawings case;
FIG. 2 is a front perspective view of the triangle blueprint architectural drawings case with an opened front;
FIG. 3 is a left side elevation view of the triangle blueprint architectural drawings case;
FIG. 4 is a right side elevation view thereof;
FIG. 5 is a rear elevation view thereof; and,
FIG. 6 is a bottom view thereof.
The broken lines illustrate a portion of the triangle blueprint architectural drawings case and form no part of the claimed design.

1 Claim, 3 Drawing Sheets



(56)

References Cited

U.S. PATENT DOCUMENTS

6,305,587	B1	10/2001	Miller	
D476,151	S *	6/2003	Peterson	D3/221
D479,398	S *	9/2003	Sanderson	D3/254
D525,786	S *	8/2006	Orlando	D3/254
D530,085	S *	10/2006	Quinnan	D3/260
8,522,939	B2	9/2013	Rowe	
D758,725	S *	6/2016	Lin	D3/254
2006/0207898	A1 *	9/2006	Cheng	A63B 71/0045 206/315.1

OTHER PUBLICATIONS

Bhphotovideo. "Petrol PT703 Soft Triangle Tripod Bag." First reviewed Sep. 13, 2013. Retrieved Sep. 30, 2016. (https://www.bhphotovideo.com/c/product/839516-REG/Petrol_PT703_Soft_Triangle_Tripod_Bag.html).*

Amazon. "TFO Temple Fork Outfitters Triangular Nylon Carrying Case." First reviewed Jun. 24, 2010. Retrieved Sep. 26, 2016. (<https://www.amazon.com/Temple-Fork-Outfitters-Triangle-TF/dp/B003EN1JY6/>).*

Amazon. "Tenba 634-507 TTP46 TriPak." First available Jul. 11, 2006. Retrieved Sep. 30, 2016. (<https://www.amazon.com/Tenba-634-507-TTP46-TriPak-Black/dp/B00009XW6A/>).*

* cited by examiner

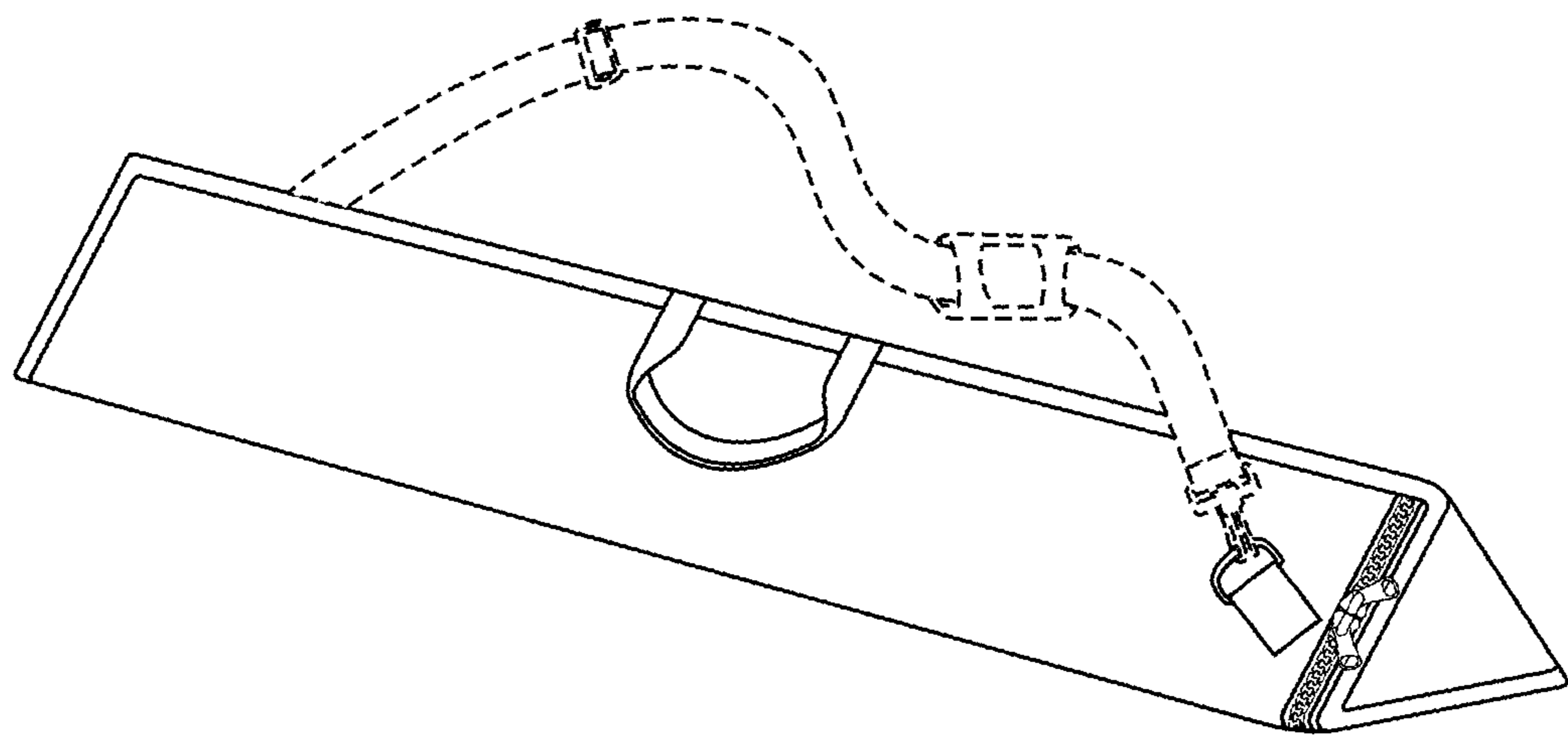


Fig. 1

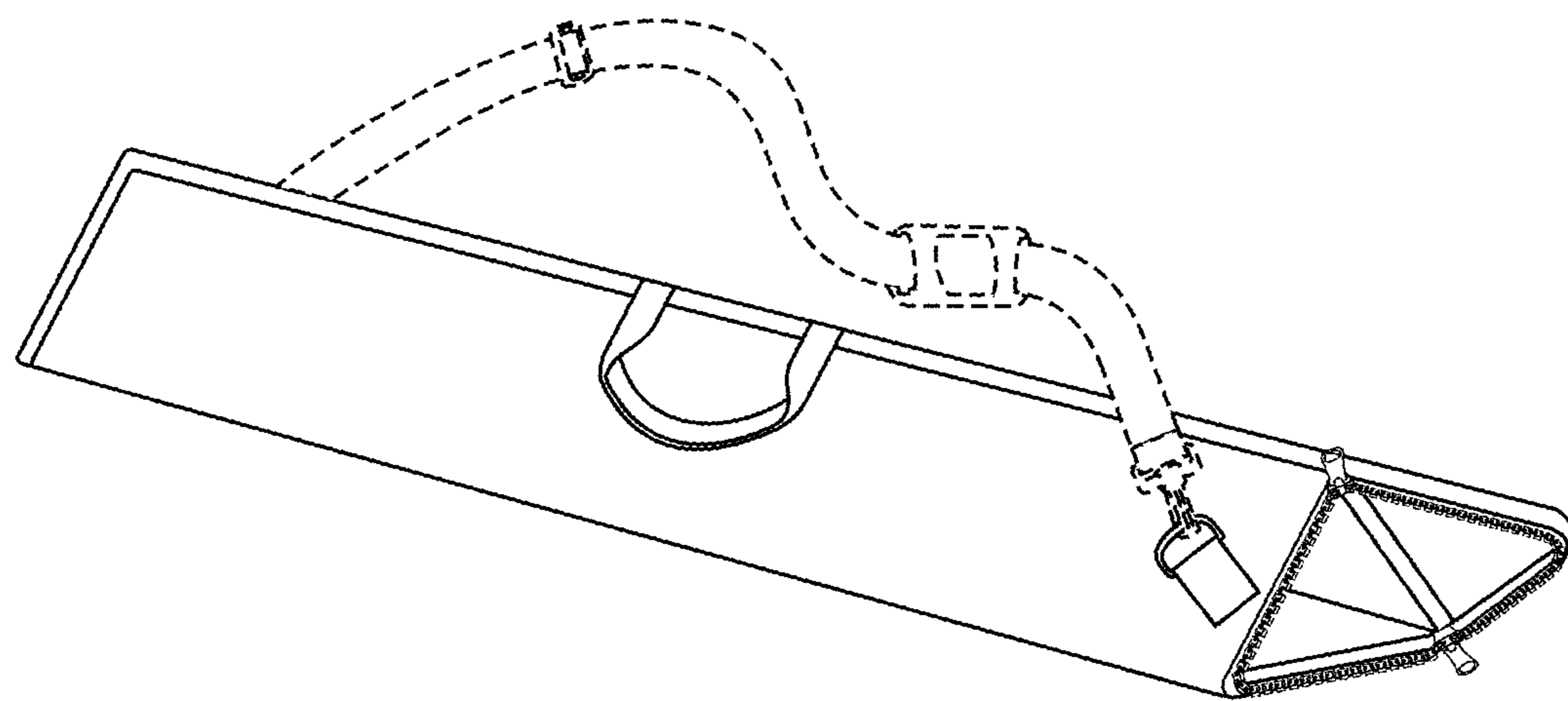


Fig. 2

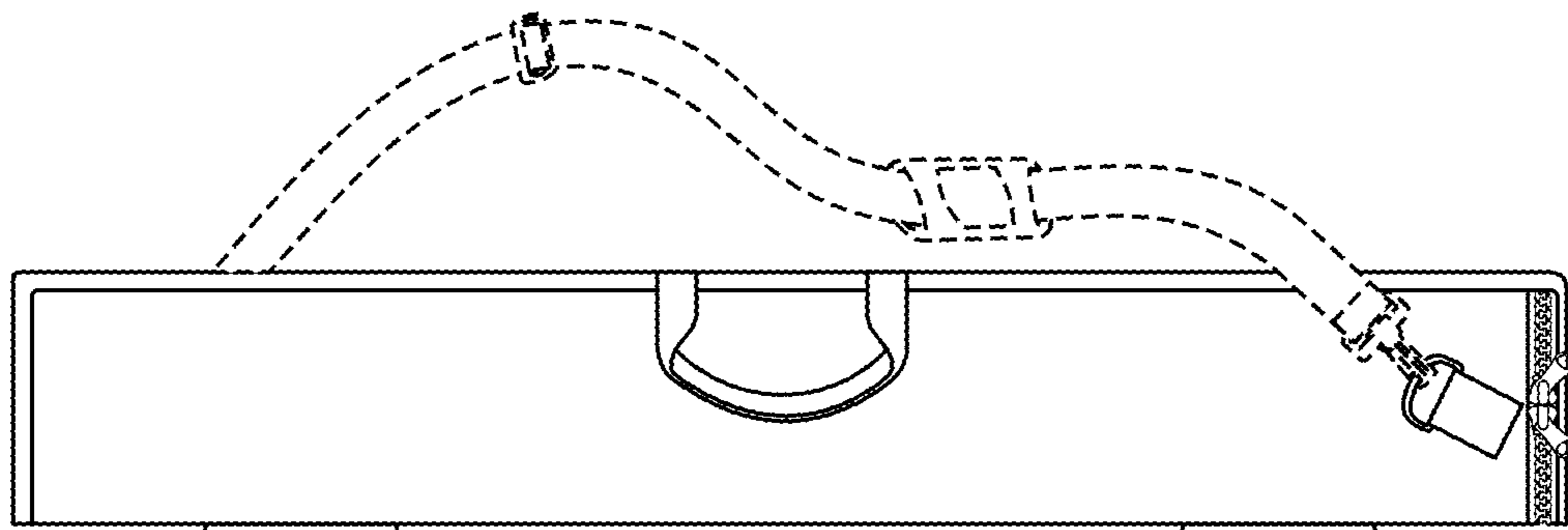


Fig. 3

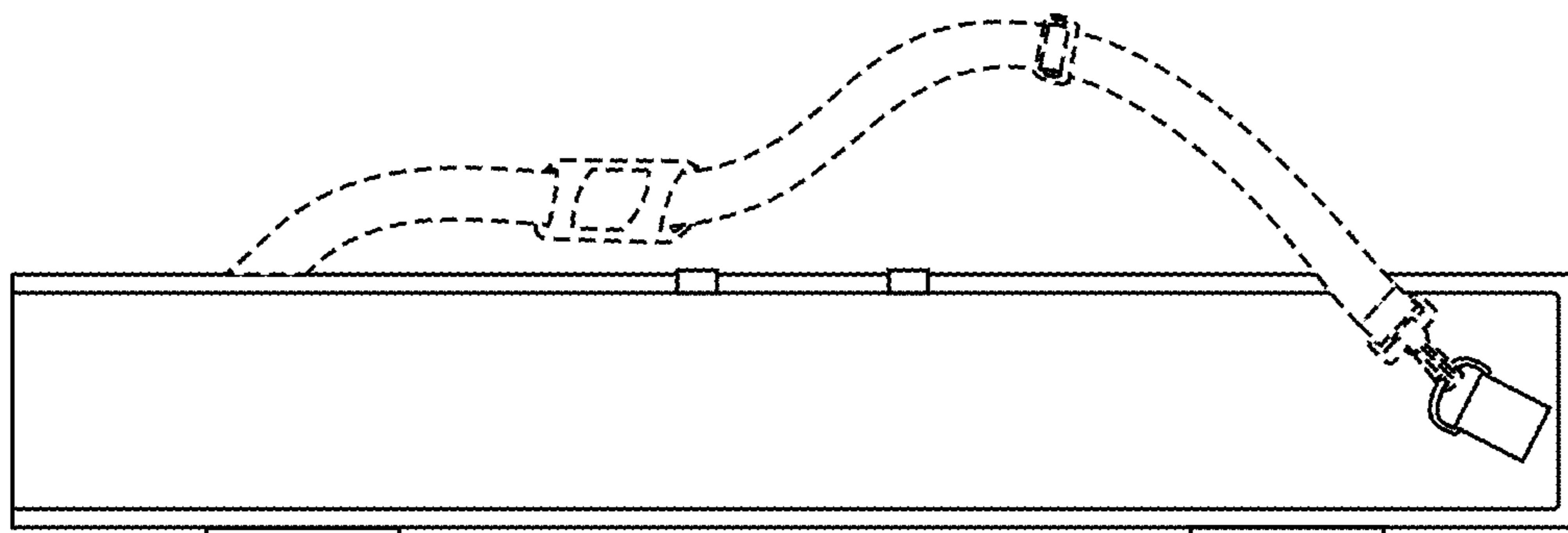


Fig. 4

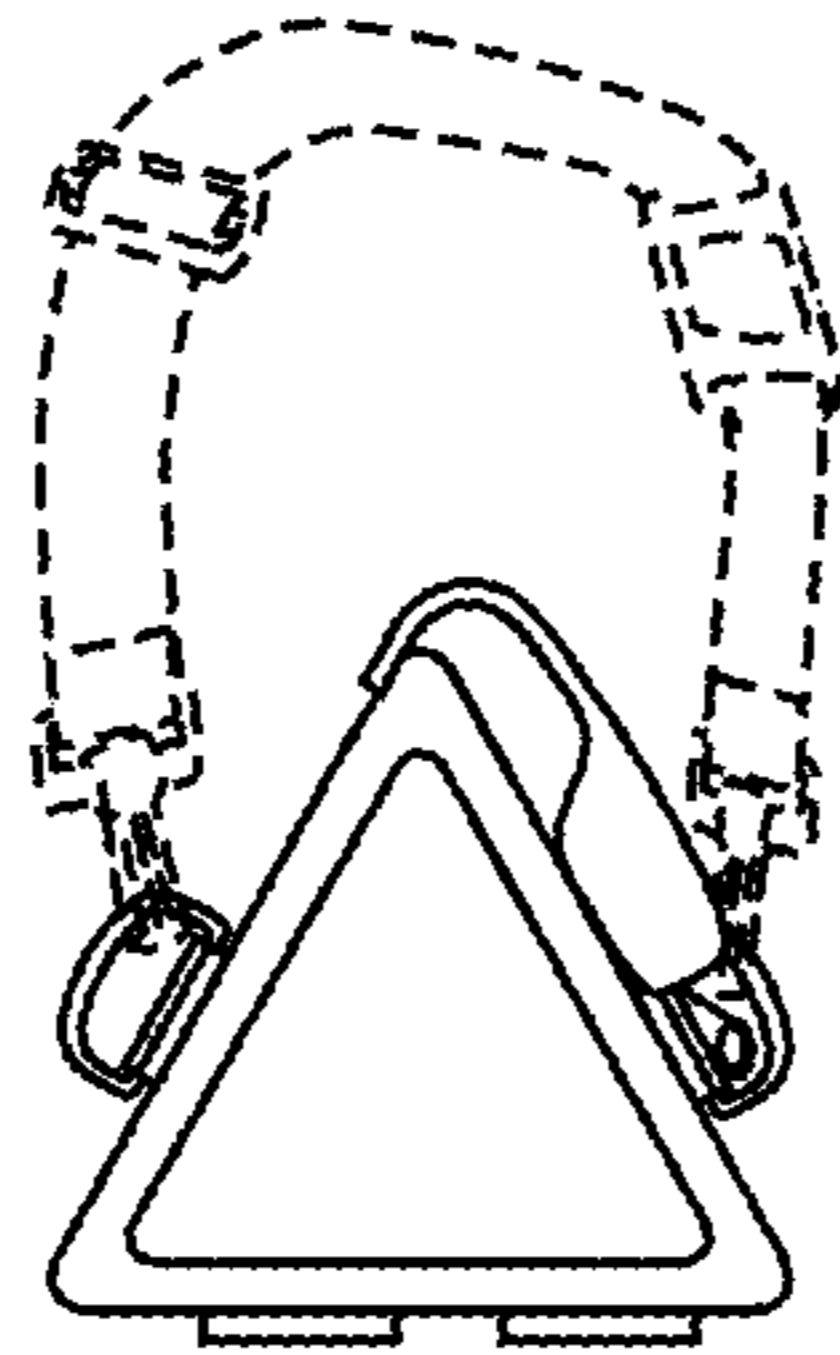


Fig. 5

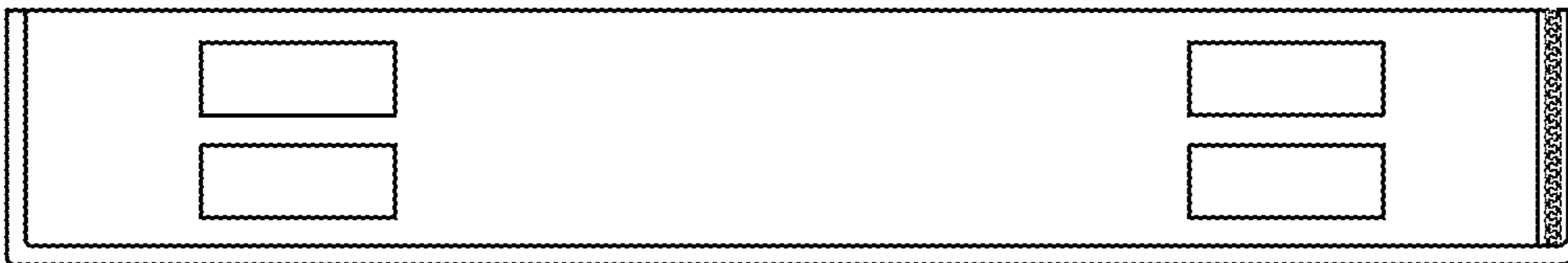


Fig. 6