



US00D797447S

(12) **United States Design Patent** (10) **Patent No.:** **US D797,447 S**
Peng (45) **Date of Patent:** **** Sep. 19, 2017**

(54) **FOLDABLE TRAVEL BAG**
(71) Applicant: **Dongmiao Peng**, Fujian (CN)
(72) Inventor: **Dongmiao Peng**, Fujian (CN)
(**) Term: **15 Years**
(21) Appl. No.: **29/553,719**
(22) Filed: **Feb. 4, 2016**

D521,727 S * 5/2006 Albini D3/238
D528,787 S * 9/2006 Prentice D3/238
D547,948 S * 8/2007 Friedman D3/271.9
D557,499 S * 12/2007 Friedman D3/271.9
D582,158 S * 12/2008 Nathanson D21/385
D590,594 S * 4/2009 Nathanson D21/385
D612,595 S * 3/2010 McCurdy D3/218
D636,990 S * 5/2011 Traiger D3/244
D650,584 S * 12/2011 Kim D3/289
D701,693 S * 4/2014 Anigwe D3/216
D765,975 S * 9/2016 Hoofnagle D3/215
D778,049 S * 2/2017 Kogelnik D3/274

(51) **LOC (10) Cl.** **03-01**
(52) **U.S. Cl.**
USPC **D3/271.9; D3/301**
(58) **Field of Classification Search**
USPC D3/203.1, 203.6, 271.9, 273, 274, 276,
D3/283, 284, 285, 286, 287, 290, 301,
D3/901, 902, 303, 238
CPC A45C 3/00; A45C 3/08; A45C 3/06; A45C
3/001; A45C 2003/007; A45C 2003/008;
A45C 7/00; A45C 7/0018; A45C 7/0036;
A45C 7/0059; A45C 7/0077
See application file for complete search history.

OTHER PUBLICATIONS

A Glam Slam Blog, "The Football Purse", Posted on Dec. 22, 2009, Accessed Mar. 2, 2017. (<http://blog.aglamslam.com/2009/12/22/the-football-purse/>).*

* cited by examiner

Primary Examiner — Jennifer Rivard
Assistant Examiner — April Rivas
(74) *Attorney, Agent, or Firm* — Leong C. Lei

(56) **References Cited**

U.S. PATENT DOCUMENTS

D234,377 S * 2/1975 Gallasch D3/289
D248,189 S * 6/1978 Loomis D3/271.9
D284,425 S * 7/1986 Allen D3/287
5,119,519 A * 6/1992 Foreman A47G 9/1045
190/1
D335,956 S * 6/1993 Lucas D3/238
D365,443 S * 12/1995 Wu D3/226
D375,833 S * 11/1996 Dixon D3/216
D394,348 S * 5/1998 Aliff D3/234
D481,252 S * 10/2003 Fung D3/270
D482,523 S * 11/2003 Friou D3/226
D484,353 S * 12/2003 Tung D3/270
D505,594 S * 5/2005 Minor D3/271.9

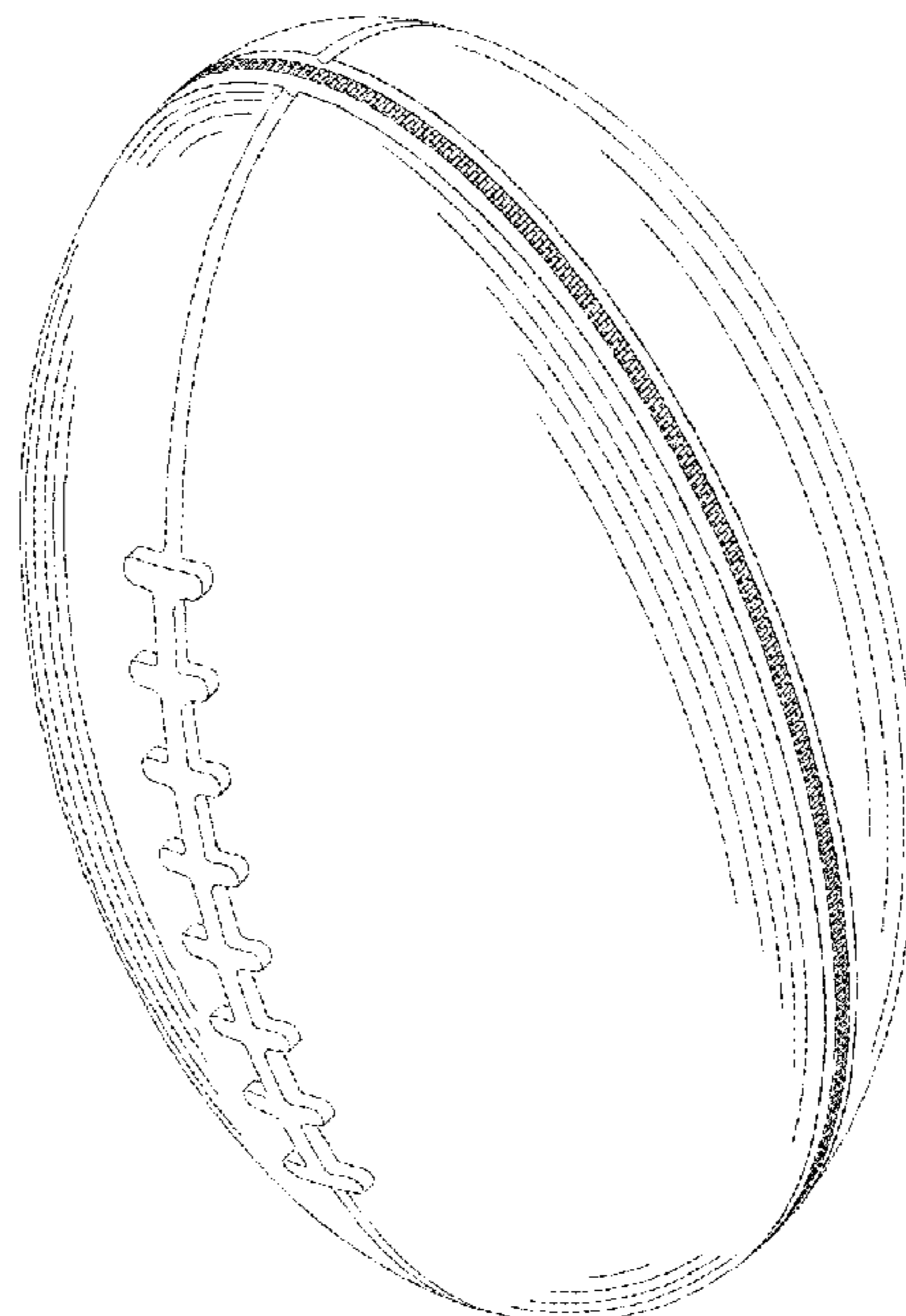
(57) **CLAIM**

The ornamental design for a foldable travel bag, as shown and described.

DESCRIPTION

FIG. 1 is a perspective view of the foldable travel bag in a folded configuration;
FIG. 2 is a front view thereof;
FIG. 3 is a rear view thereof;
FIG. 4 is a left side view thereof;
FIG. 5 is a right side view thereof;
FIG. 6 is a top view thereof; and,
FIG. 7 is a bottom view thereof.

1 Claim, 7 Drawing Sheets



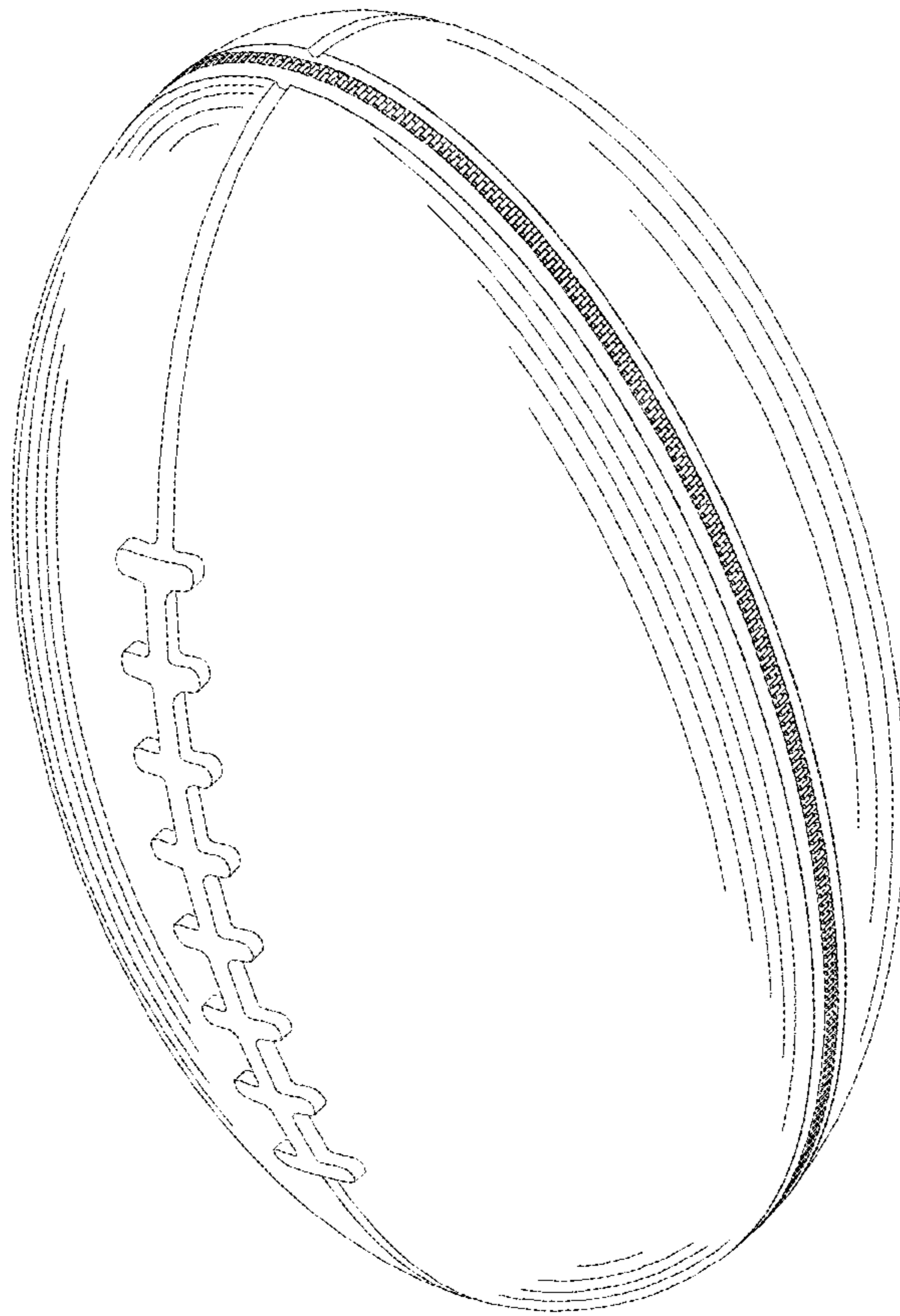


FIG. 1

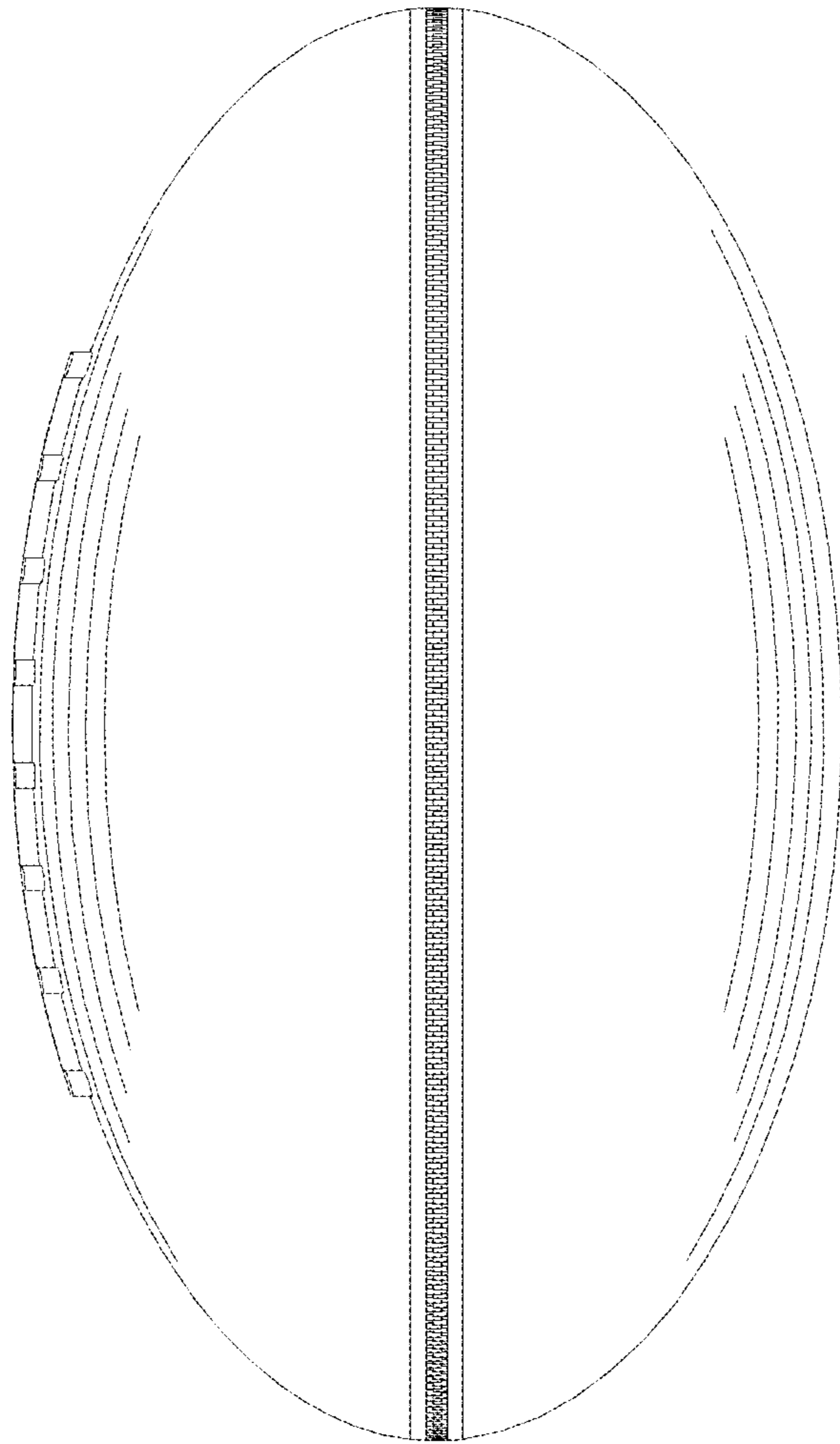


FIG. 2

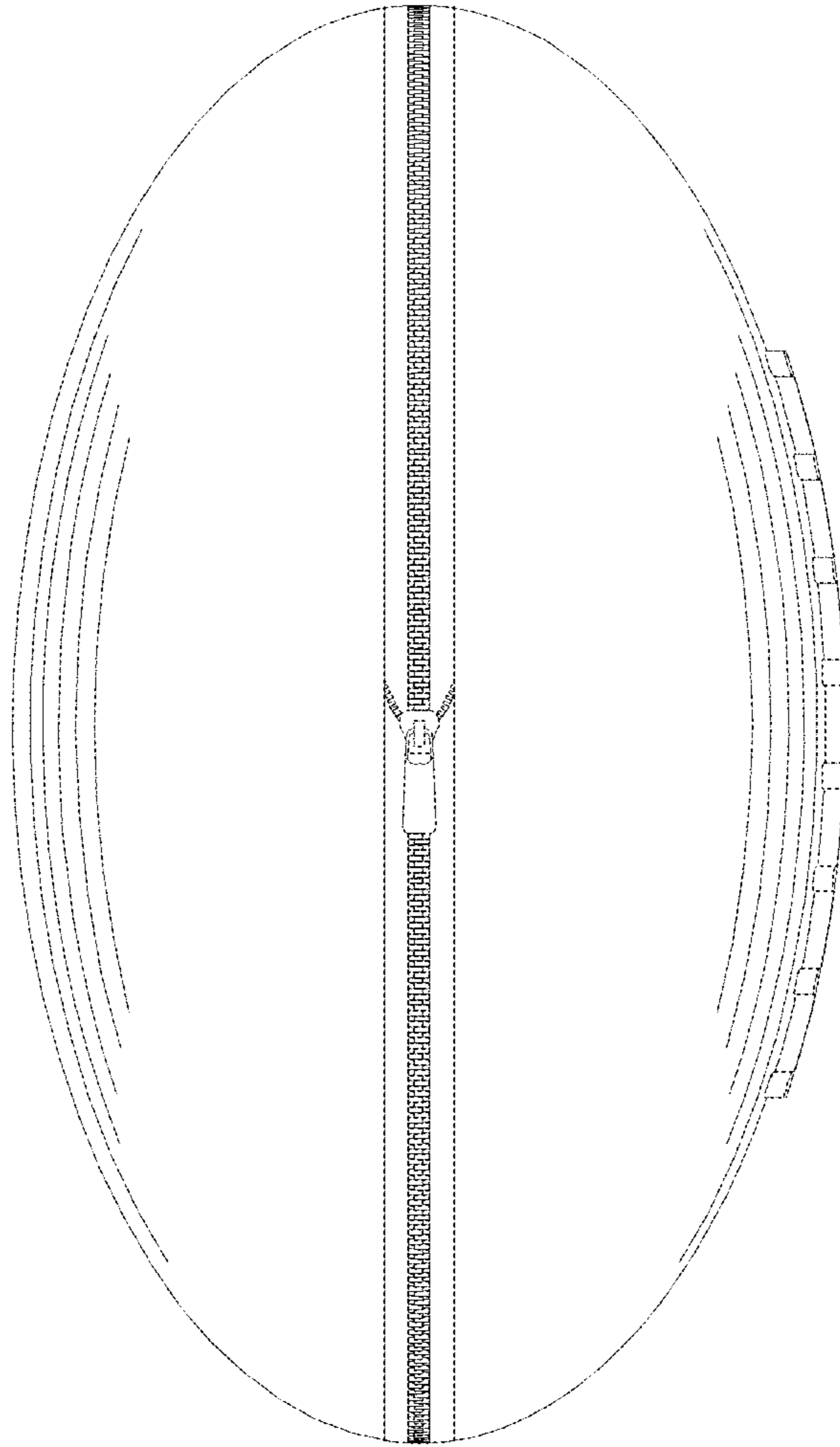


FIG. 3

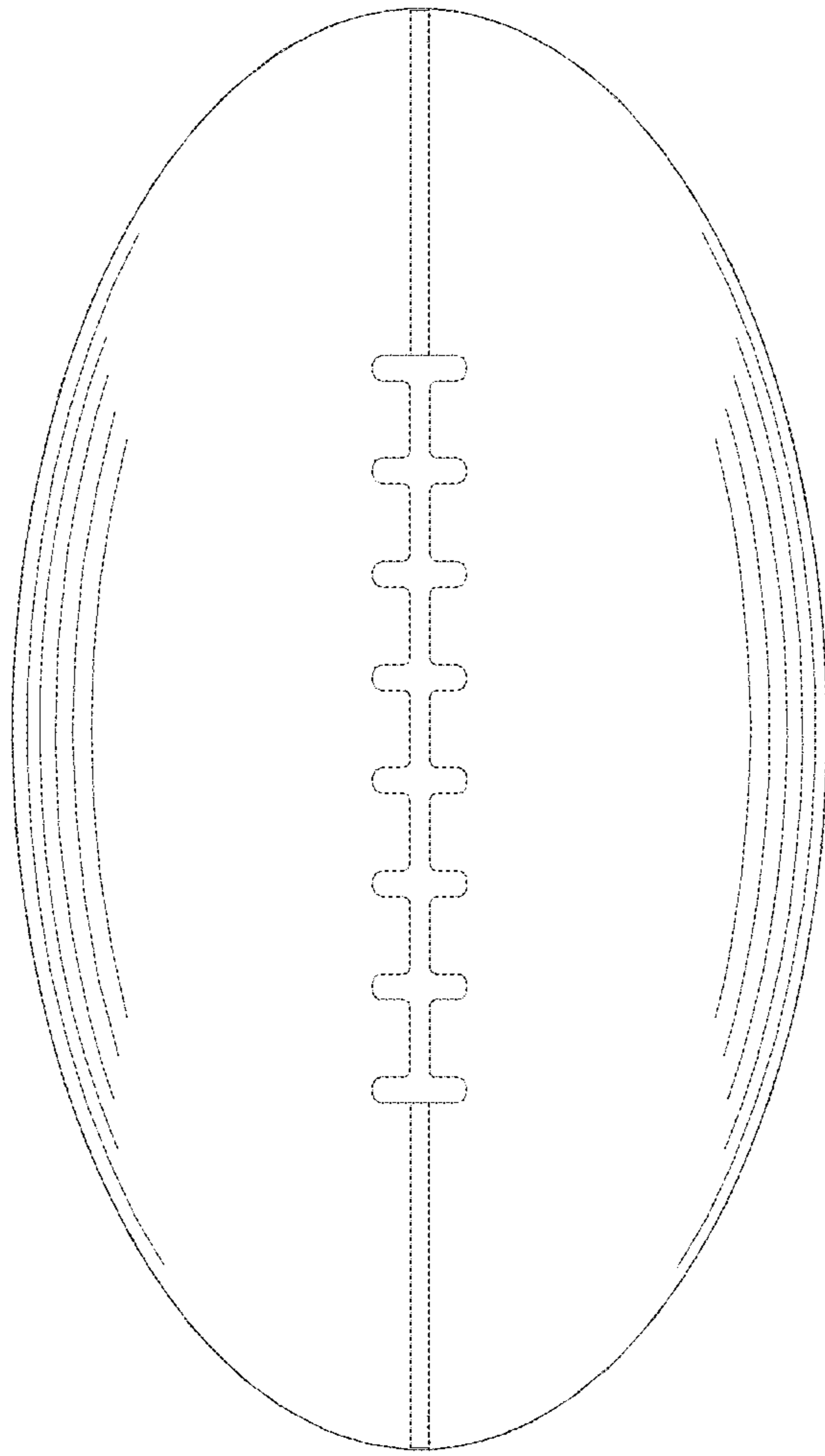


FIG. 4

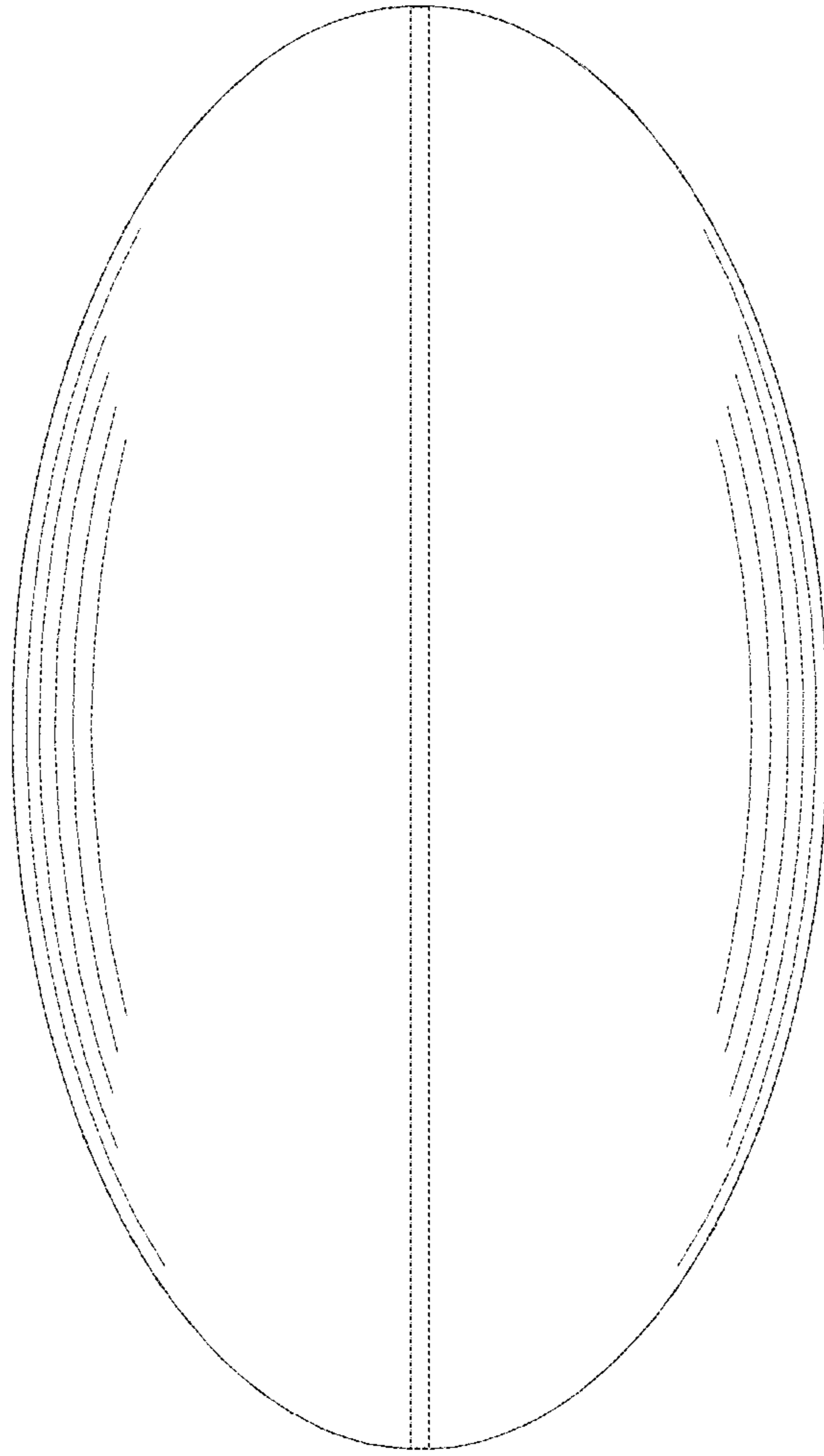


FIG. 5

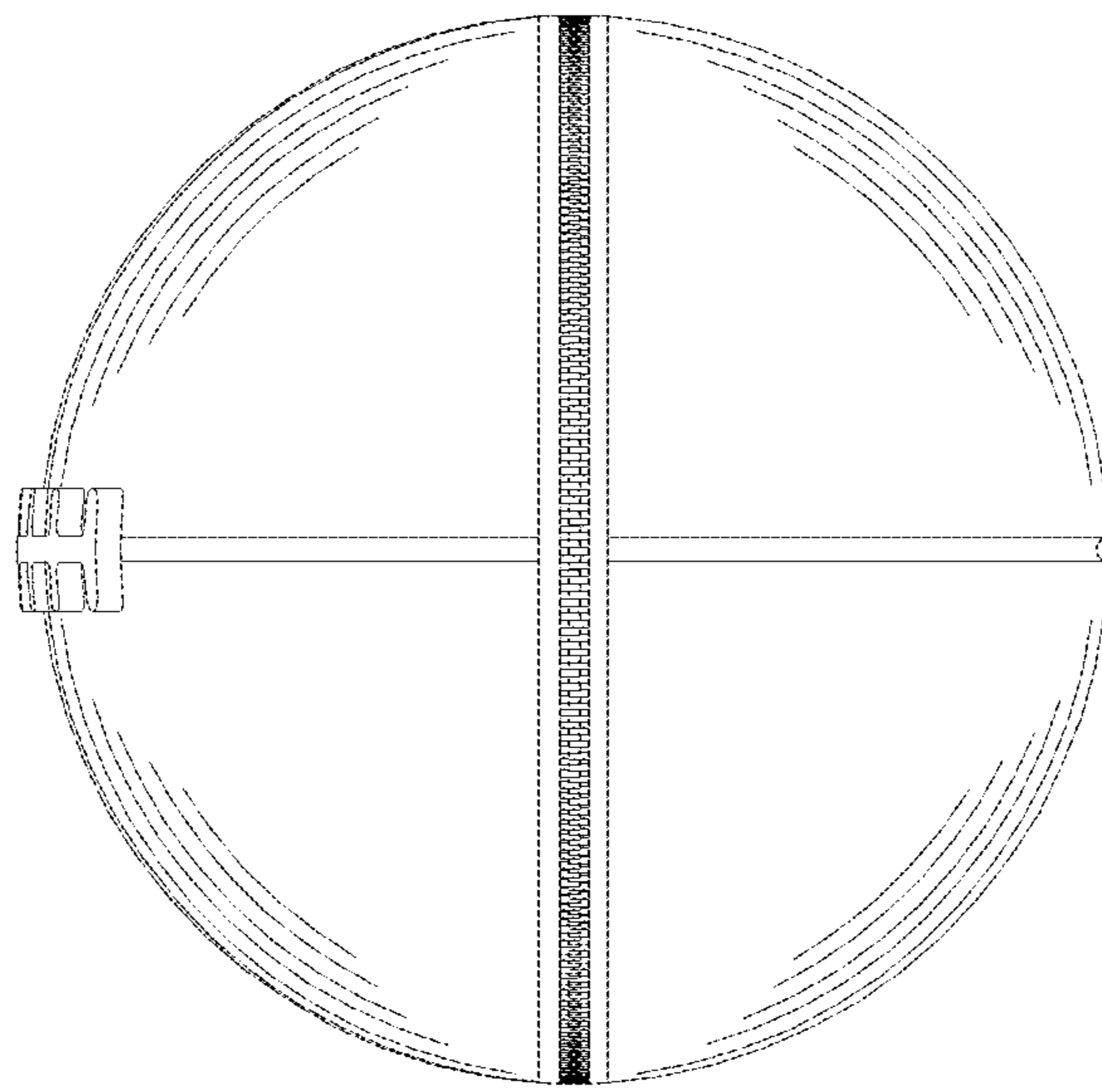


FIG. 6

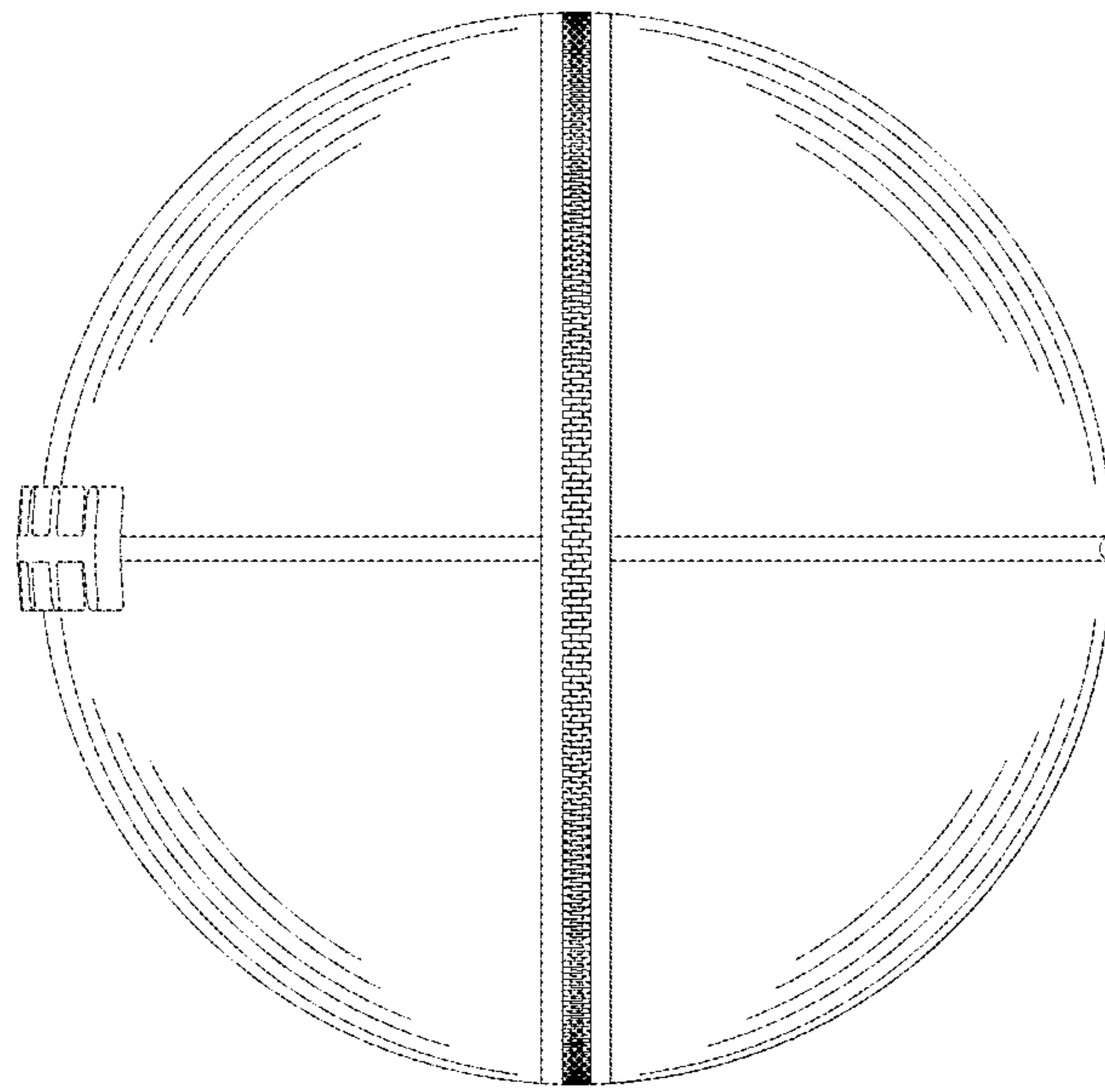


FIG. 7