



US00D797444S

(12) **United States Design Patent** (10) **Patent No.:** **US D797,444 S**
Nair (45) **Date of Patent:** **** Sep. 19, 2017**

- (54) **HANDBAG**
- (71) Applicant: **MOYNAT PARIS SAS**, Paris (FR)
- (72) Inventor: **Ramesh Nair**, Paris (FR)
- (73) Assignee: **MOYNAT PARIS SAS**, Paris (FR)
- (**) Term: **15 Years**
- (21) Appl. No.: **29/575,661**
- (22) Filed: **Aug. 26, 2016**

(30) **Foreign Application Priority Data**

Aug. 16, 2016 (WO) 56041-2

- (51) **LOC (10) Cl.** **03-01**
- (52) **U.S. Cl.**
USPC **D3/242**
- (58) **Field of Classification Search**
USPC D3/232-233, 240-243, 245-246
CPC A45C 1/024; A45C 3/06
See application file for complete search history.

(56) **References Cited**

U.S. PATENT DOCUMENTS

- D145,254 S * 7/1946 Kaufman D3/242
- D167,408 S * 8/1952 Kaufman D3/242
- D167,939 S * 10/1952 Grossman D3/242
- D168,968 S * 3/1953 Rosenberg et al. D3/242

- D169,669 S * 5/1953 Hardy D3/242
- D758,070 S * 6/2016 Frohlich D3/232
- D783,279 S * 4/2017 Sassi D3/245

* cited by examiner

Primary Examiner — Holly H Baynham

(74) *Attorney, Agent, or Firm* — Avery N. Goldstein;
Blue Filament Law PLLC

(57) **CLAIM**

The ornamental design for a handbag, as shown and described.

DESCRIPTION

FIG. 1 is a perspective view of a handbag showing my new design in a first embodiment with a strap shown in ghost for context;
 FIG. 2 is a front view of view thereof;
 FIG. 3 is a back view thereof;
 FIG. 4 is a right side view thereof;
 FIG. 5 is a left side view thereof;
 FIG. 6 is a top view thereof; and,
 FIG. 7 is an environmental, left, front perspective view thereof.

The broken lines showing a handbag strap are for the purposes of illustrating environment and forms no part of the claimed design.

1 Claim, 4 Drawing Sheets

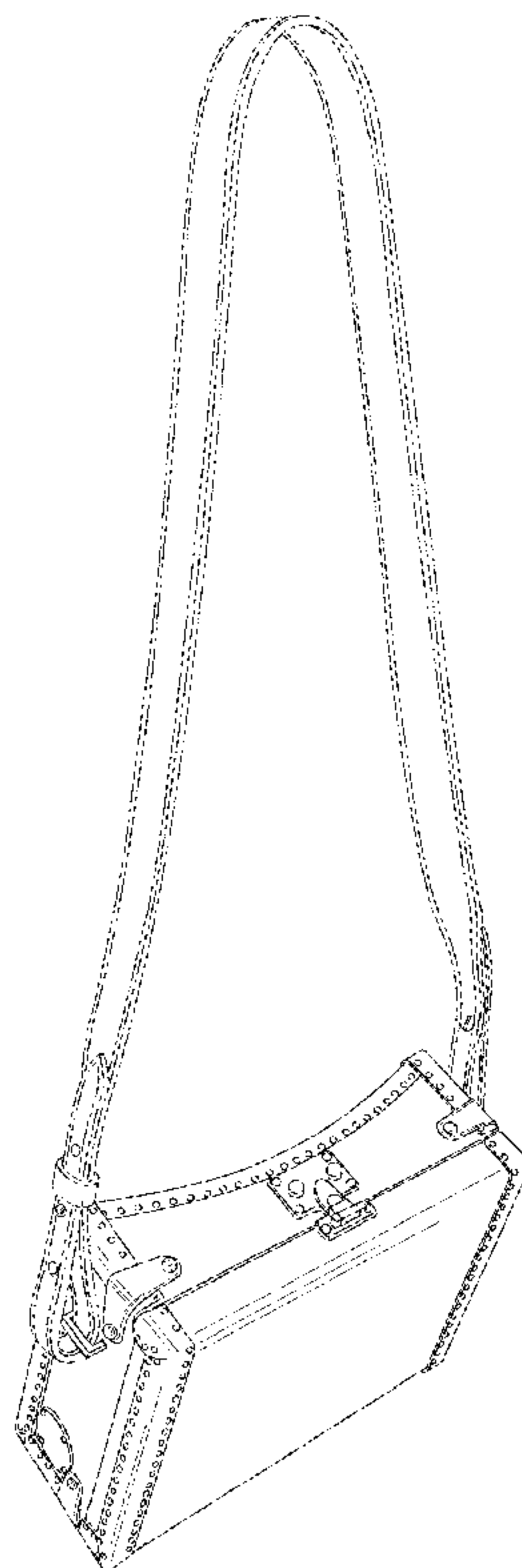
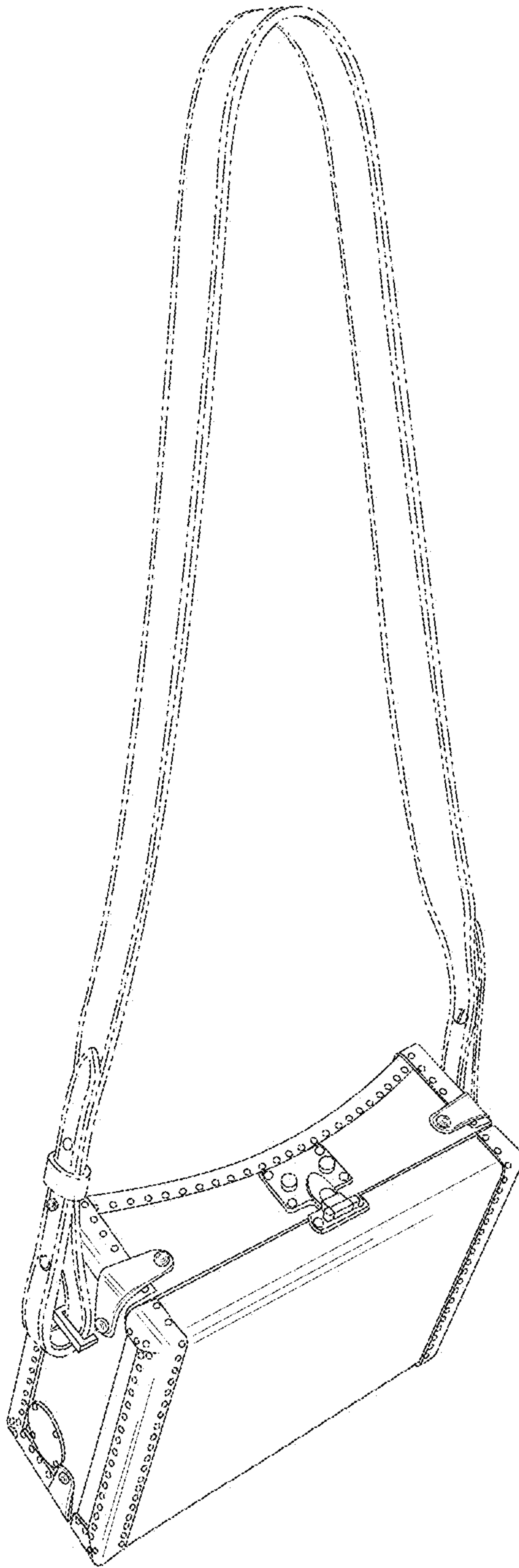


FIG. 1



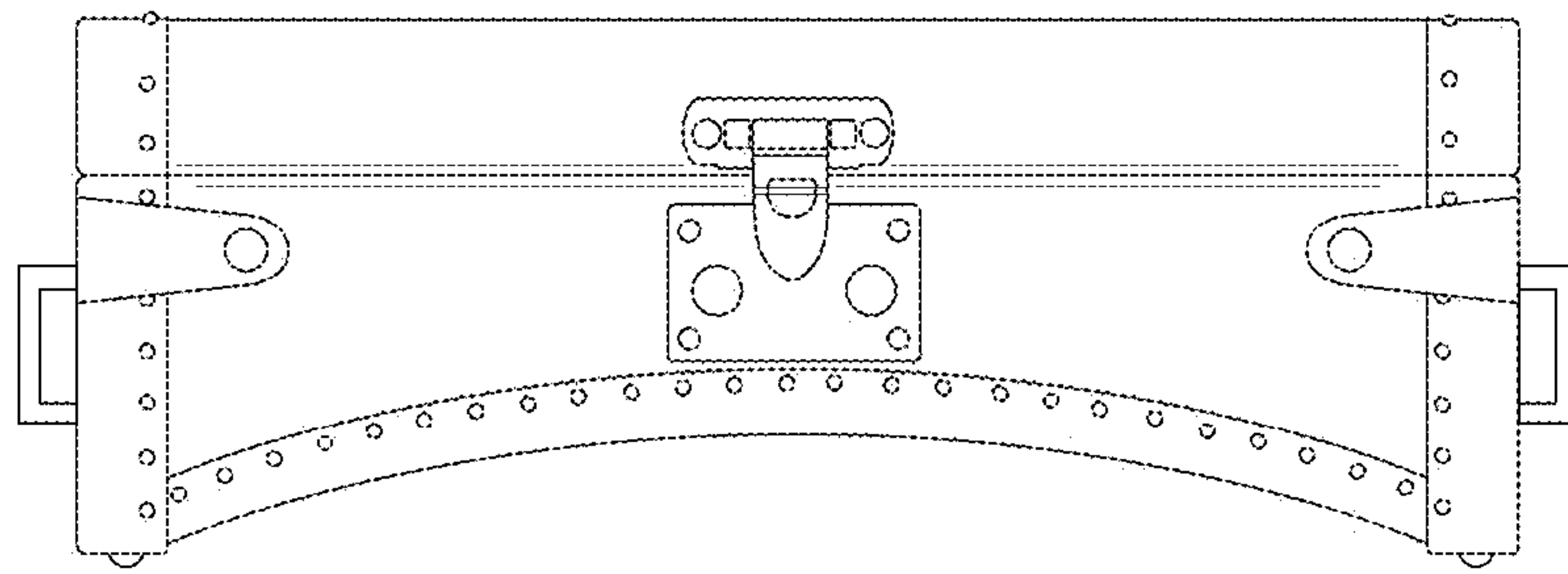


FIG. 2

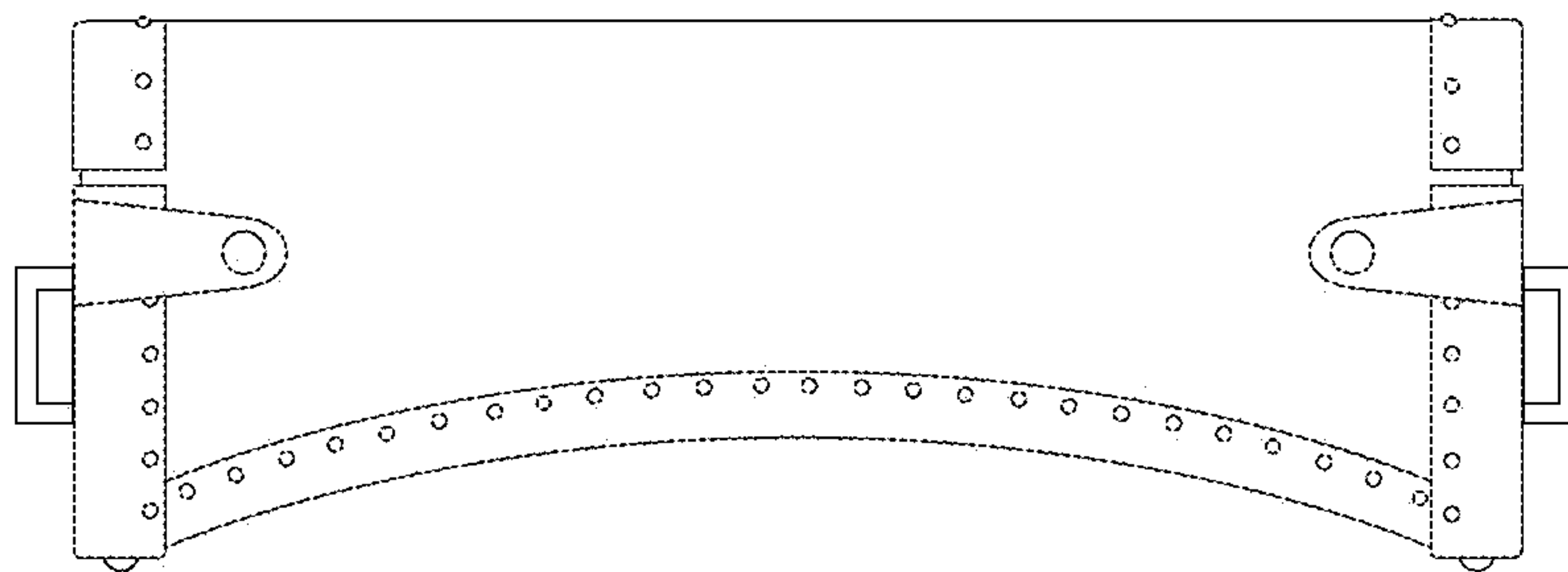


FIG. 3

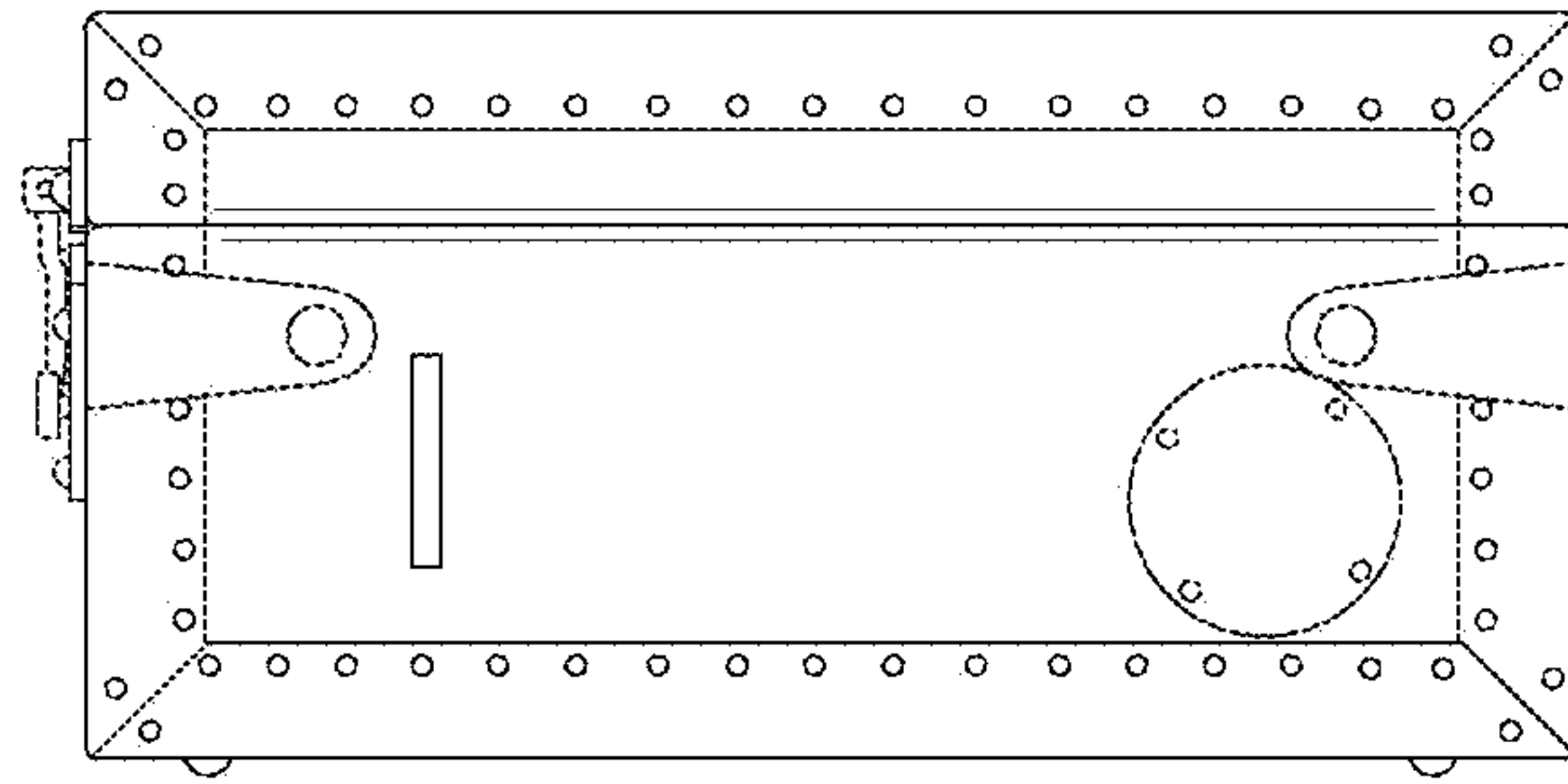


FIG. 4

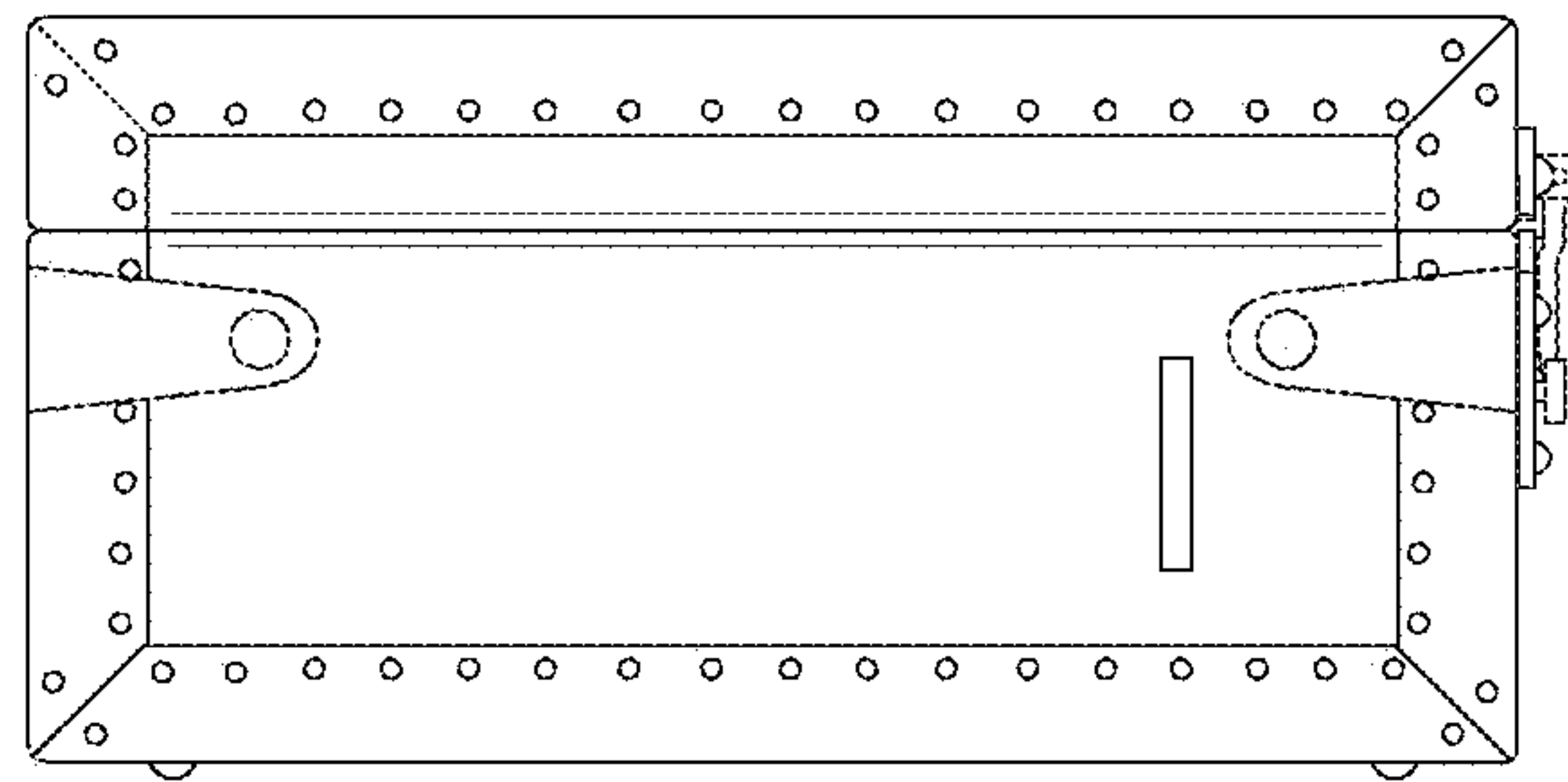


FIG. 5

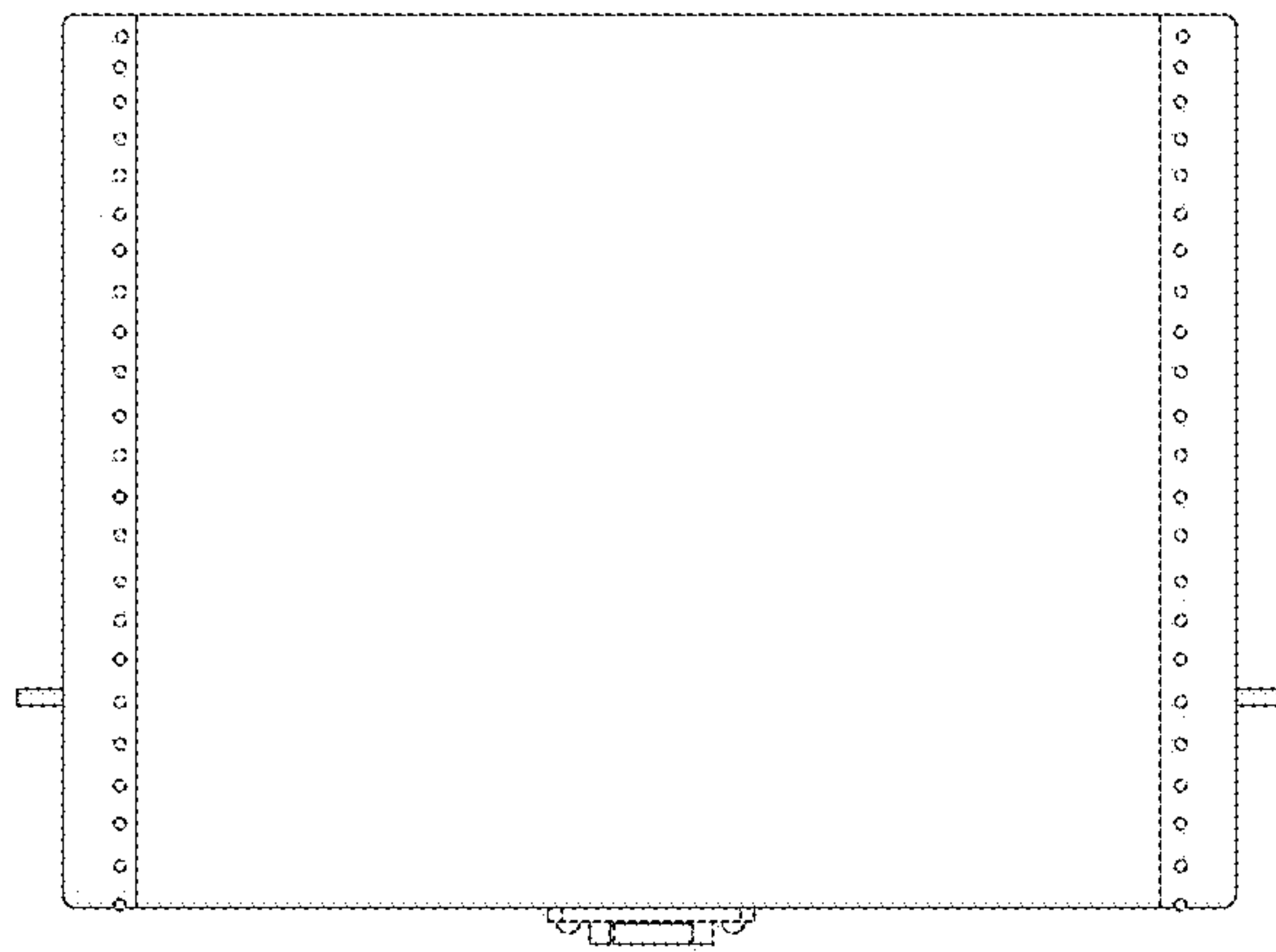


FIG. 6

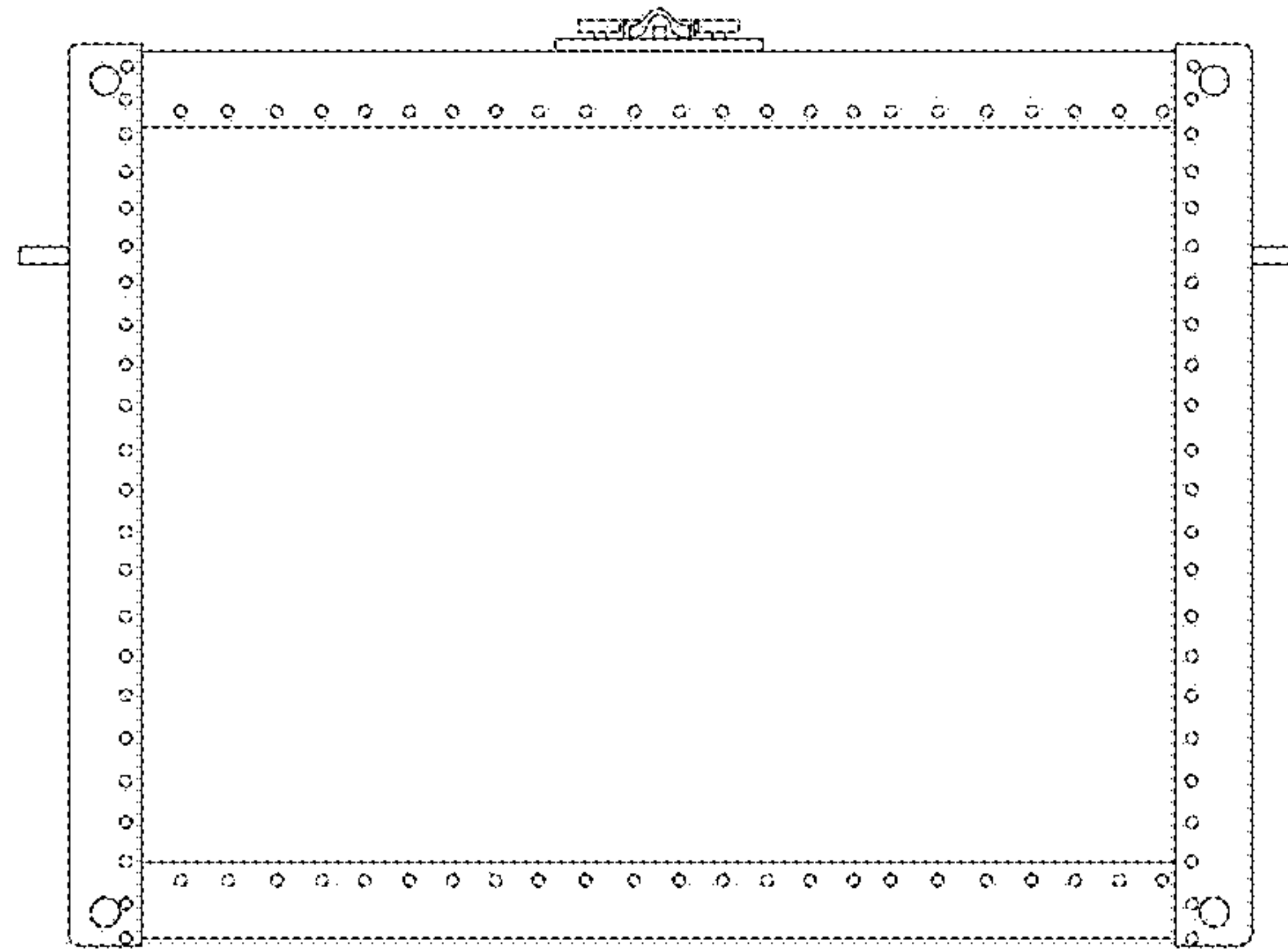


FIG. 7