



US00D797443S

(12) **United States Design Patent** (10) **Patent No.:** **US D797,443 S**  
**Holmes** (45) **Date of Patent:** **\*\* Sep. 19, 2017**

(54) **DECORATIVE POUCH WITH ATTACHMENT STRAP**

D550,451 S \* 9/2007 Burlington ..... D3/226  
D651,396 S \* 1/2012 Raines ..... D3/226  
D724,314 S \* 3/2015 Faifer ..... D3/222

(71) Applicant: **Cara Cerutti Holmes**, Fountain Hills, AZ (US)

\* cited by examiner

(72) Inventor: **Cara Cerutti Holmes**, Fountain Hills, AZ (US)

*Primary Examiner* — Catherine R Oliver-Garcia  
(74) *Attorney, Agent, or Firm* — Patent Law & Venture Group; Gene Scott

(\*\*) Term: **15 Years**

(57) **CLAIM**

An ornamental design for a decorative pouch with attachment strap, as shown and described.

(21) Appl. No.: **29/573,532**

**DESCRIPTION**

(22) Filed: **Aug. 8, 2016**

(51) **LOC (10) Cl.** ..... **03-01**

(52) **U.S. Cl.**  
USPC ..... **D3/226**

(58) **Field of Classification Search**  
USPC ..... D3/215, 218, 221, 224, 226, 228;  
150/131; 224/219, 222, 240, 267-269,  
224/583, 901.8  
CPC ... A45C 1/04; A45C 11/22; A45F 5/00; A45F  
5/02; A45F 5/021; A45F 2005/008; A45F  
2200/0516; A01K 97/06  
See application file for complete search history.

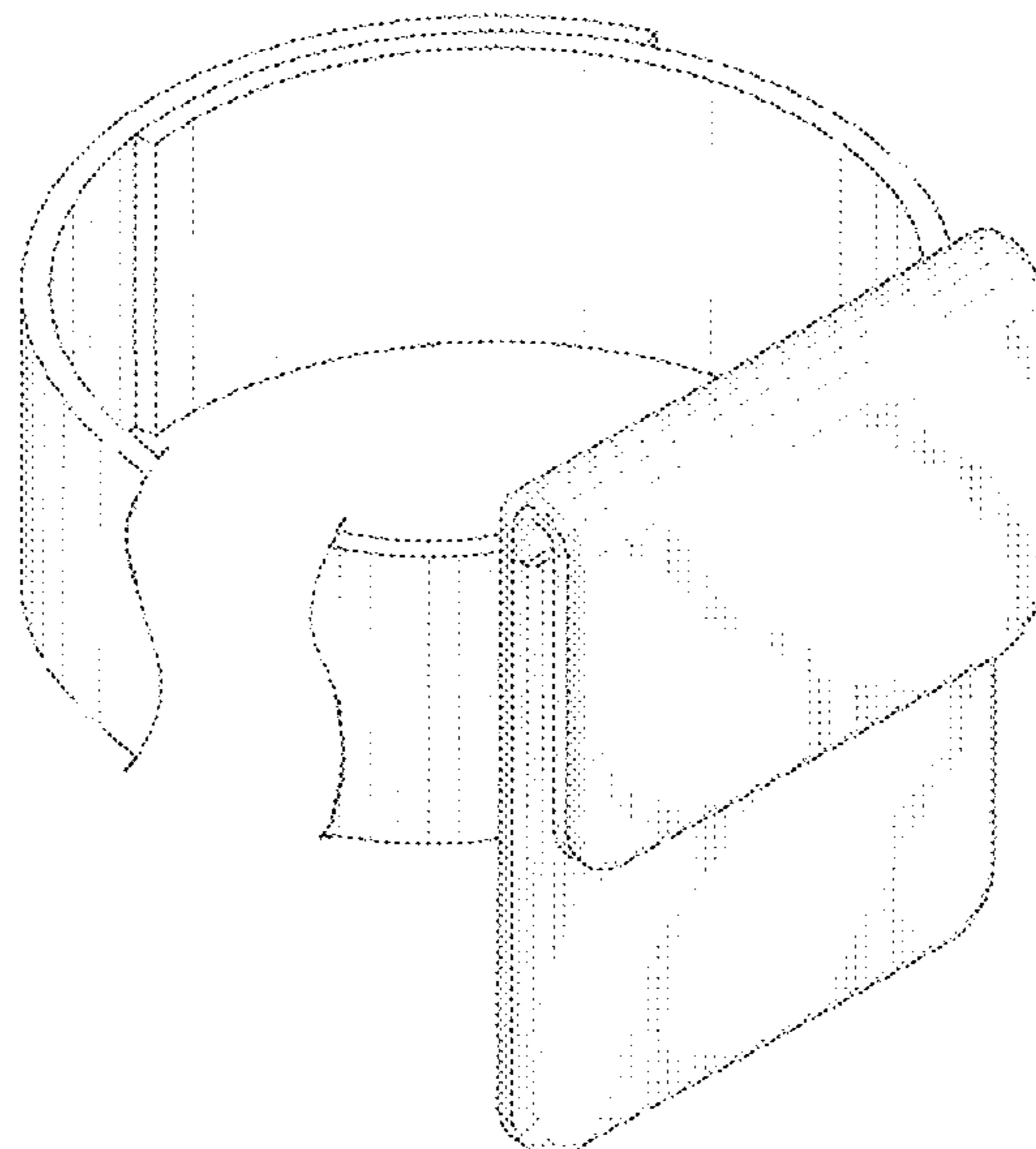
FIG. 1 is a front perspective view of the decorative pouch with attachment strap, showing my new design with the flap in a closed position;  
FIG. 2 is a rear perspective view thereof;  
FIG. 3 is a front perspective view, with the flap shown in an open position;  
FIG. 4 is a rear perspective view thereof;  
FIG. 5 is a front perspective view shown with the attachment strap;  
FIG. 6 is a rear perspective view thereof;  
FIG. 7 is a front perspective view, with the attachment strap included and the flap shown in an open position;  
FIG. 8 is a rear perspective view thereof; and,  
FIG. 9 is a perspective view, shown in use.  
The broken lines shown in FIGS. 3 and 7 depicting possible clasps form no part of the claimed design.  
The break lines shown in FIGS. 5-8 indicate that the attachment strap is of no particular length and any portion between forms no part of the claimed design.  
The broken lines shown in FIG. 9 depict a human form merely to illustrate usage of the subject design and form no part of the claimed design.  
The attachment strap is not disclosed in FIGS. 1-4 for convenience of illustration.

(56) **References Cited**

**U.S. PATENT DOCUMENTS**

D266,205 S \* 9/1982 Berman ..... 224/240  
D308,910 S \* 7/1990 Chang ..... D2/627  
4,957,231 A \* 9/1990 Kalisher ..... A01K 97/06  
224/240  
D360,073 S \* 7/1995 Schrader ..... D3/226  
D418,973 S \* 1/2000 Epstein ..... D3/218  
D423,211 S \* 4/2000 Giliberti ..... D3/226  
D429,881 S \* 8/2000 Gray ..... D3/215  
6,112,961 A \* 9/2000 Phillips ..... A45C 1/04  
150/131  
D515,806 S \* 2/2006 Rice ..... D3/218

**1 Claim, 9 Drawing Sheets**



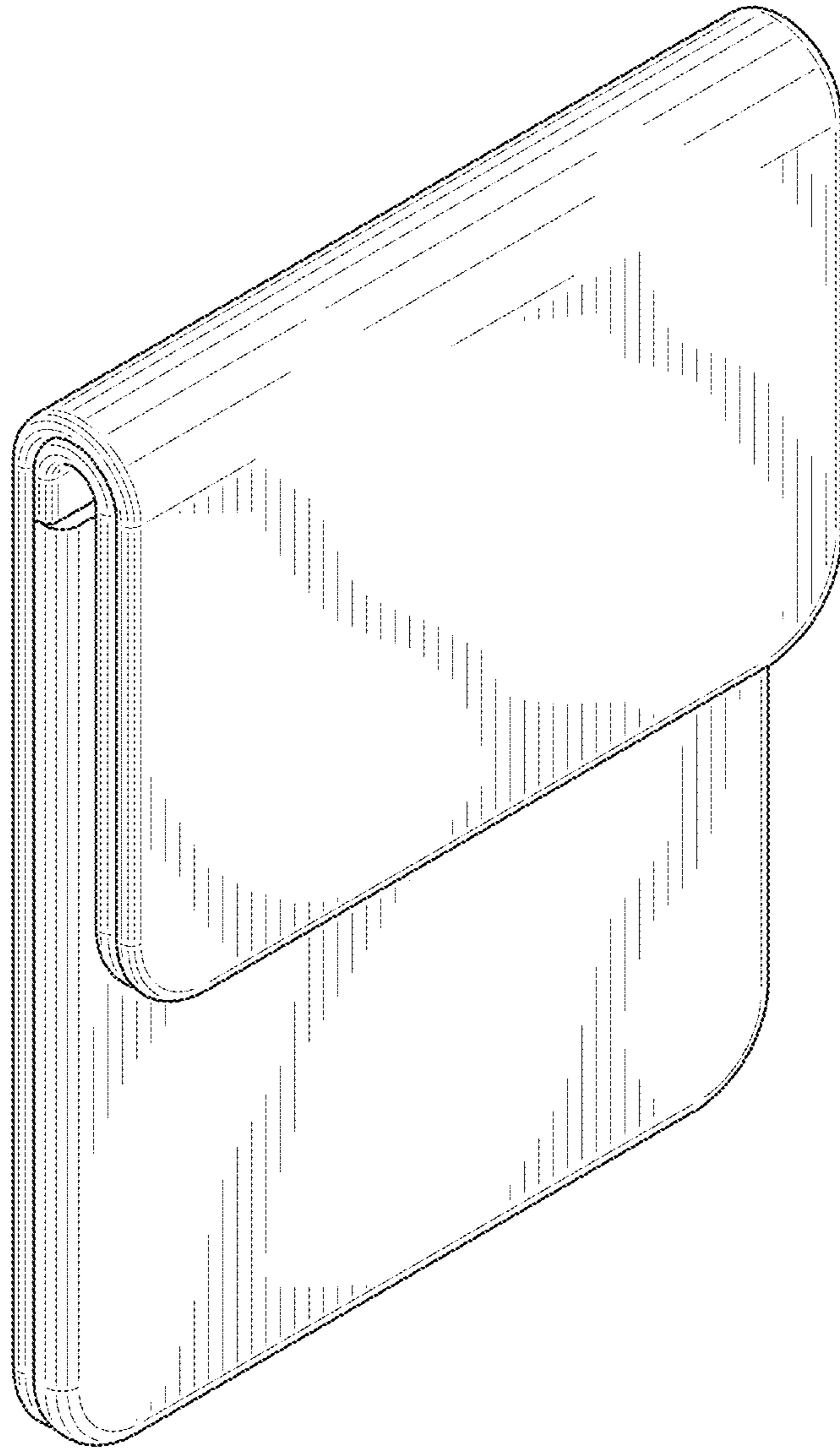


FIG. 1

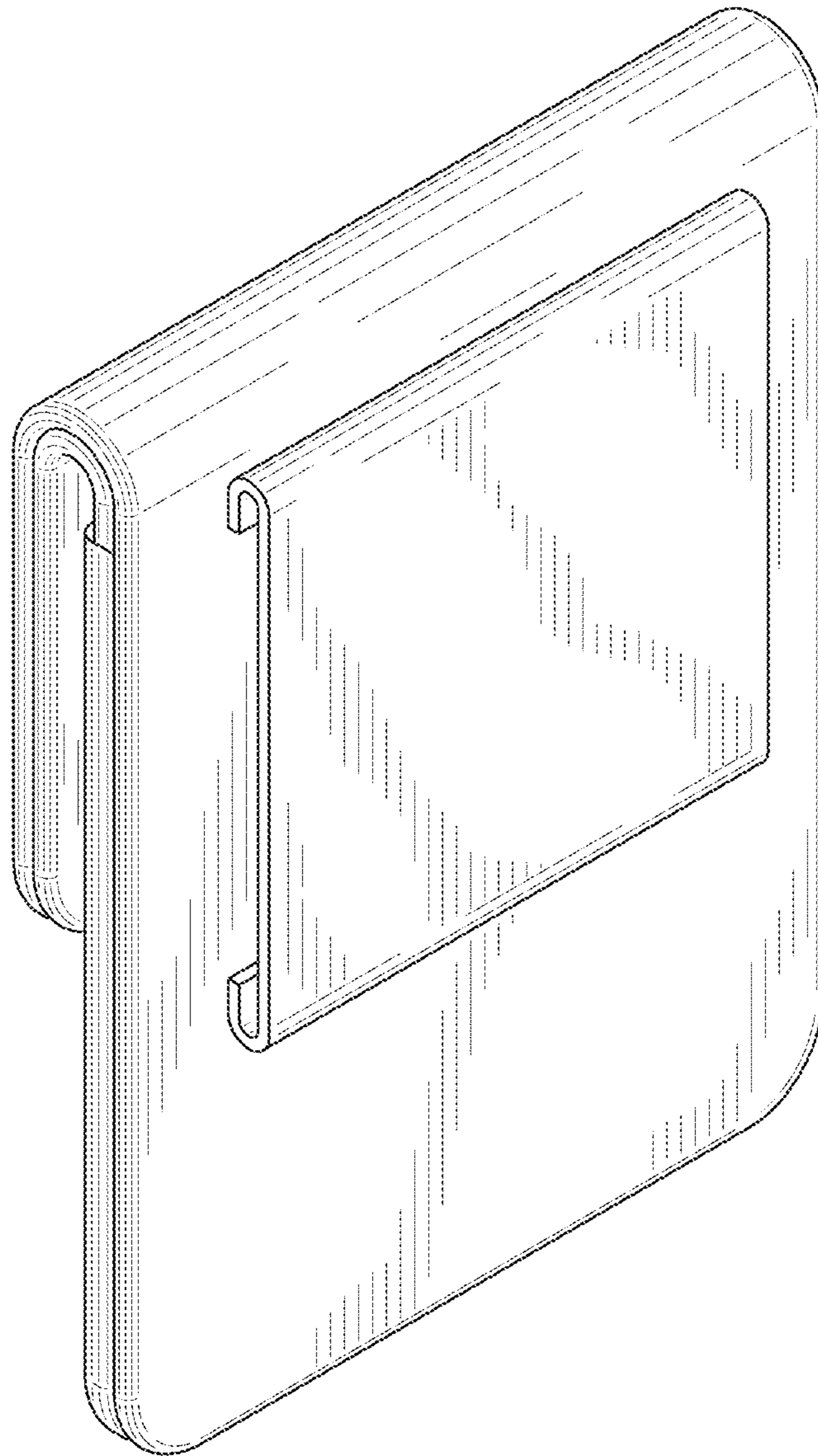


FIG. 2

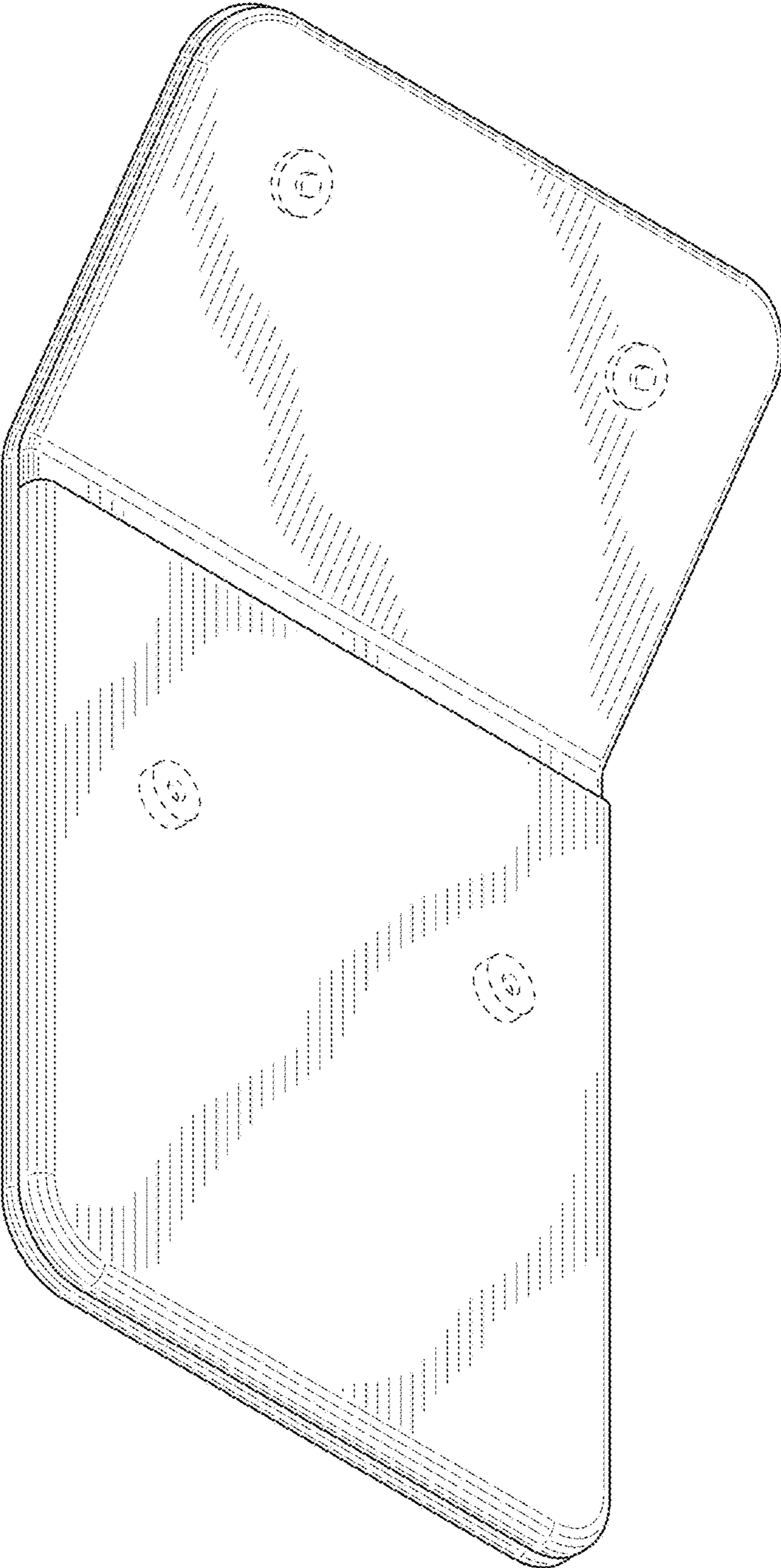


FIG. 3

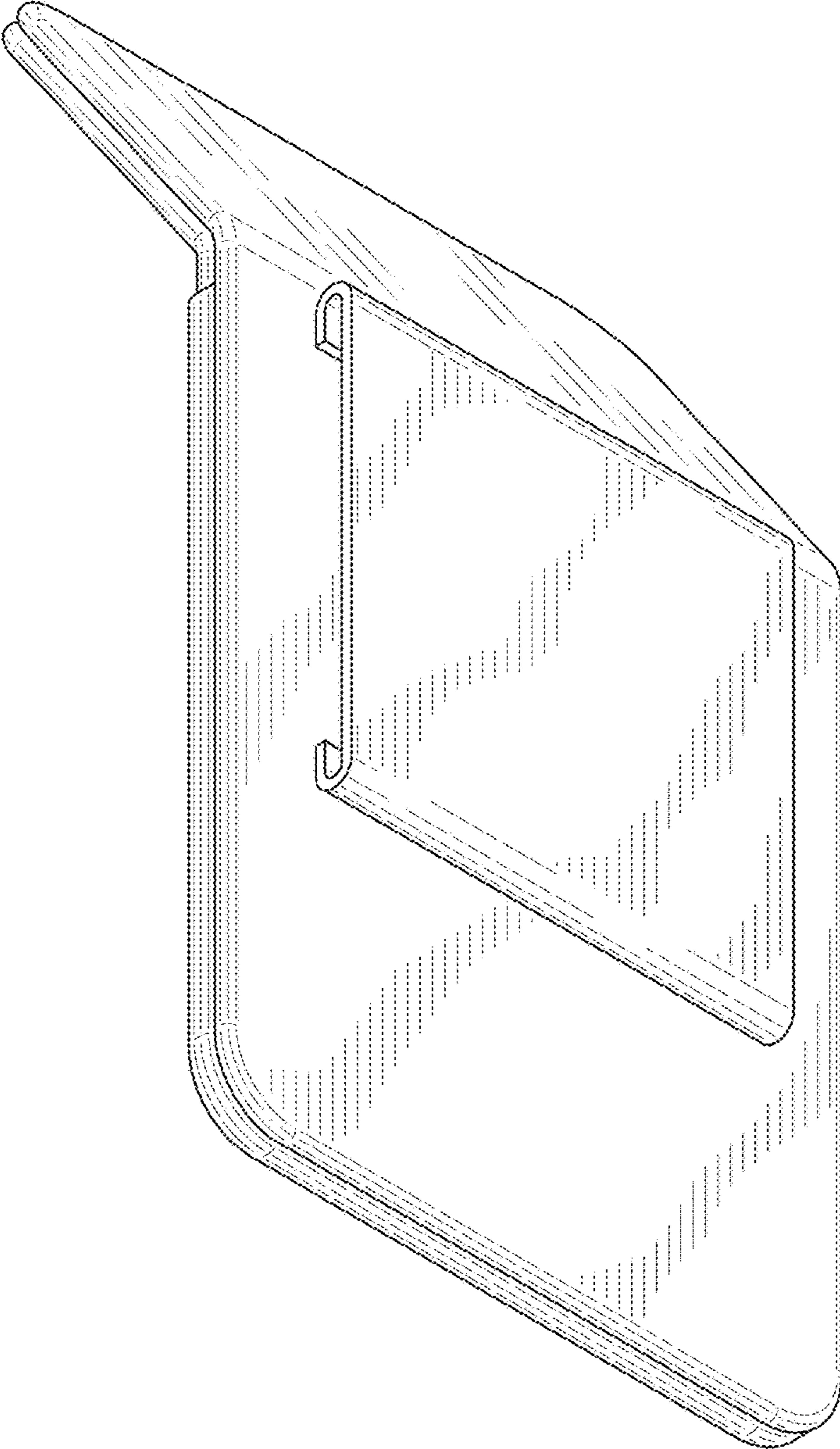


FIG. 4

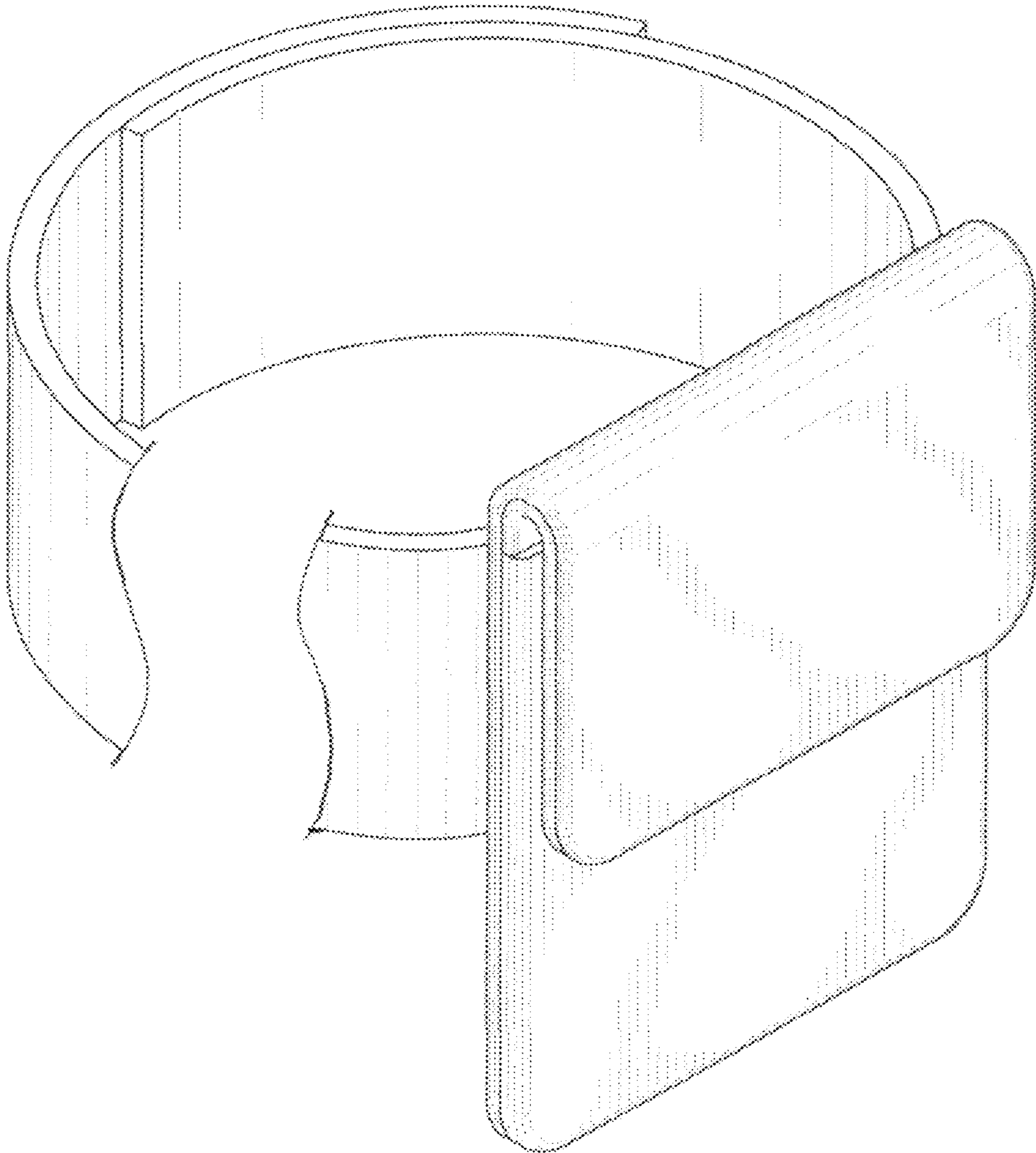


FIG. 5

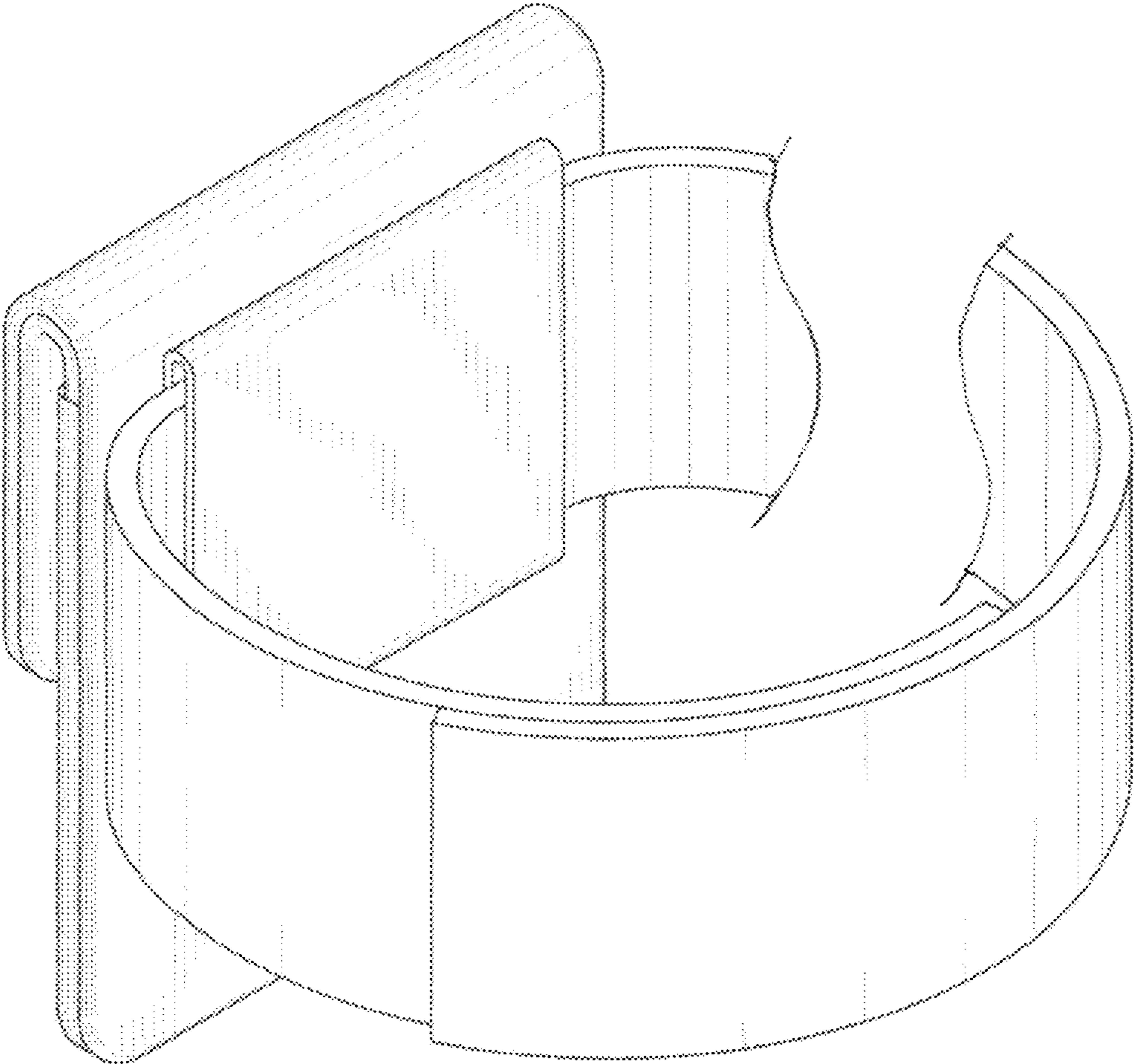


FIG. 6

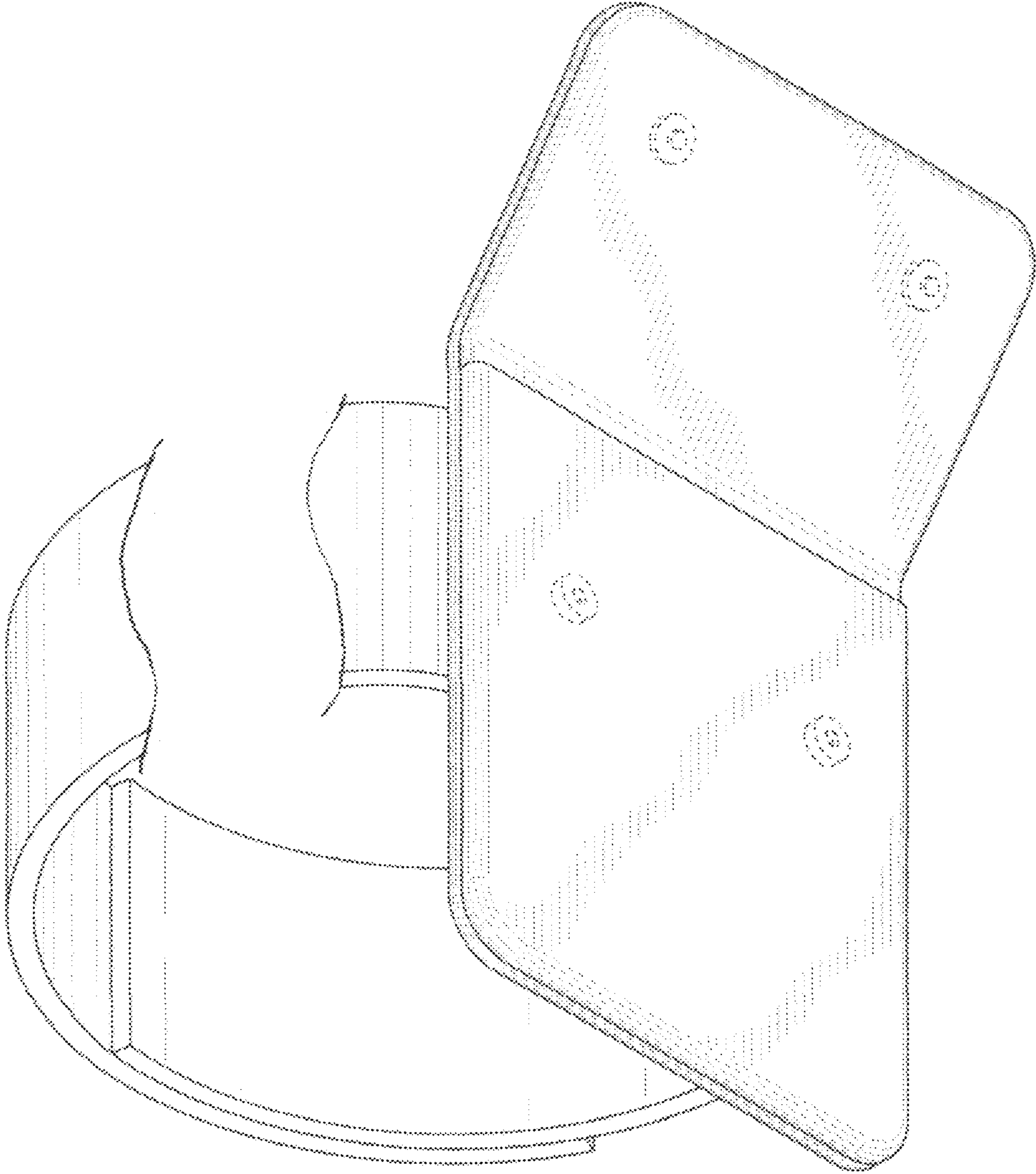


FIG. 7



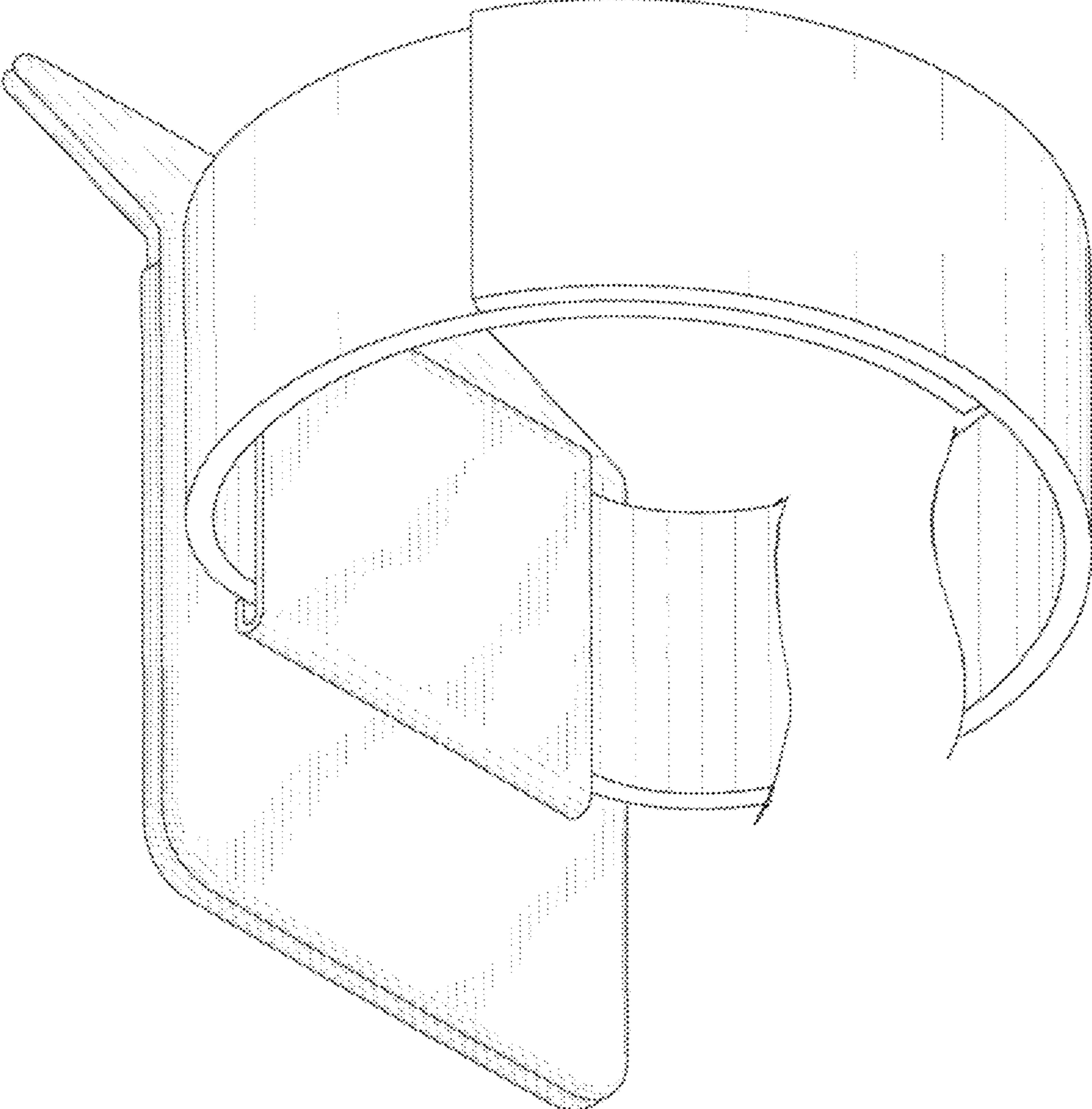


FIG. 8

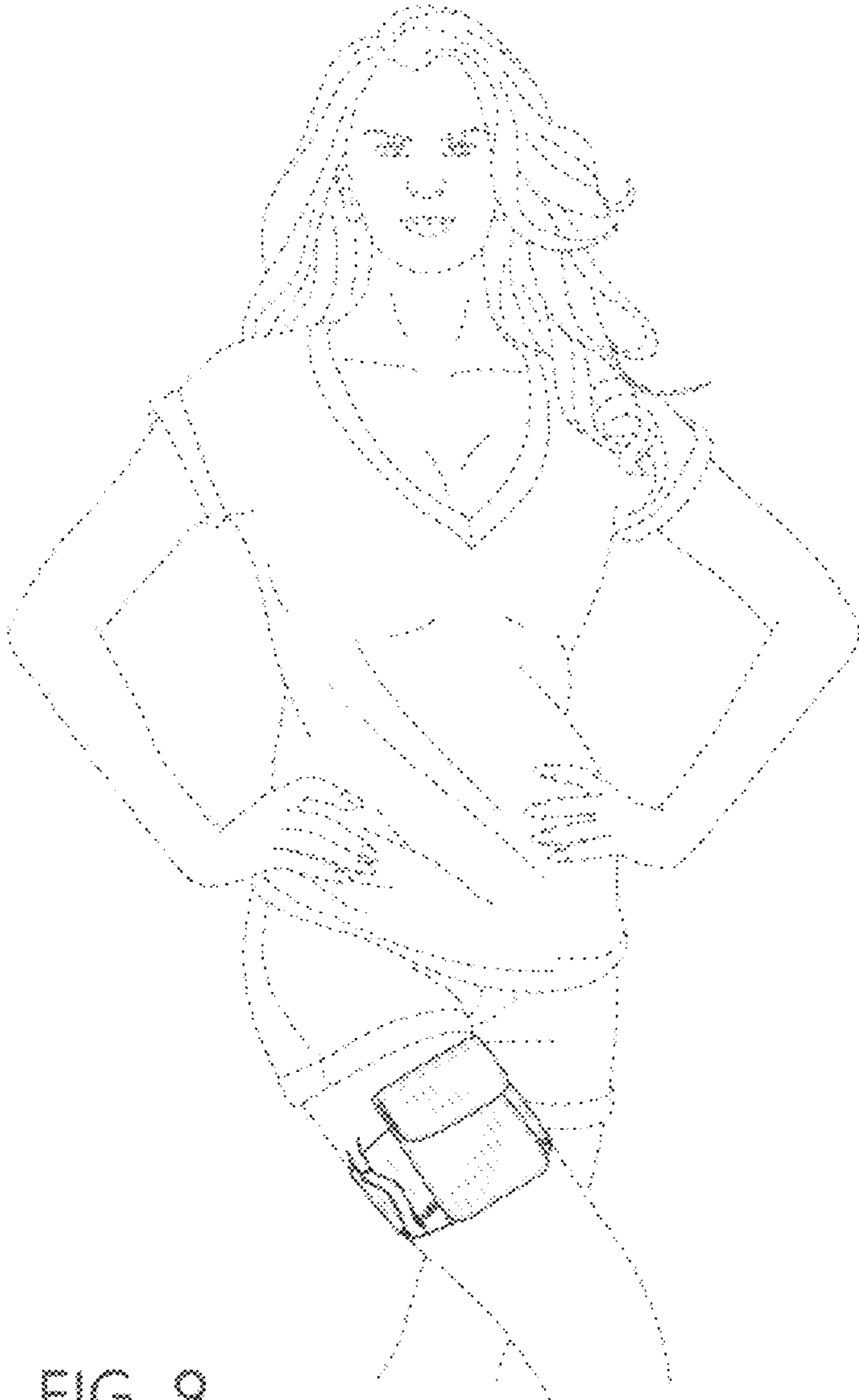


FIG. 9