



US00D797441S

(12) **United States Design Patent** (10) **Patent No.:** **US D797,441 S**
Sokolowski (45) **Date of Patent:** **** Sep. 19, 2017**

(54) **BOOT WALLET**

(71) Applicant: **Boottique, Inc.**, Edina, MN (US)

(72) Inventor: **Lindsay Sokolowski**, Edina, MN (US)

(73) Assignee: **Boottique, Inc.**, Edina, MN (US)

(**) Term: **15 Years**

(21) Appl. No.: **29/543,512**

(22) Filed: **Oct. 26, 2015**

(51) **LOC (10) Cl.** **03-01**

(52) **U.S. Cl.**
USPC **D3/215**

(58) **Field of Classification Search**
USPC D3/214-217, 221, 224, 226, 231, 247,
D3/265-268, 300, 303, 229-230,
(Continued)

(56) **References Cited**

U.S. PATENT DOCUMENTS

2,203,155 A * 6/1940 Jullien H01M 10/42
224/222
2,265,094 A * 12/1941 Wolfe A45D 42/06
132/316

(Continued)

FOREIGN PATENT DOCUMENTS

DE 102013006136 * 10/2014 A45F 5/02
GB 191107924 A * 0/1911 A45C 1/04
WO WO 03047819 A1 * 6/2003 B25H 3/00

OTHER PUBLICATIONS

Boottique Inc., The Boot Wallet, as posted at Boottique.com [online], posting date not available [site visited Nov. 19, 2016]. Available from the Internet, <URL: <https://www.boottique.com/products/the-boot-wallet>>.*

(Continued)

Primary Examiner — Jeffrey D Asch
Assistant Examiner — Rebekah A Caruso

(74) *Attorney, Agent, or Firm* — Fredrikson & Byron, P.A.

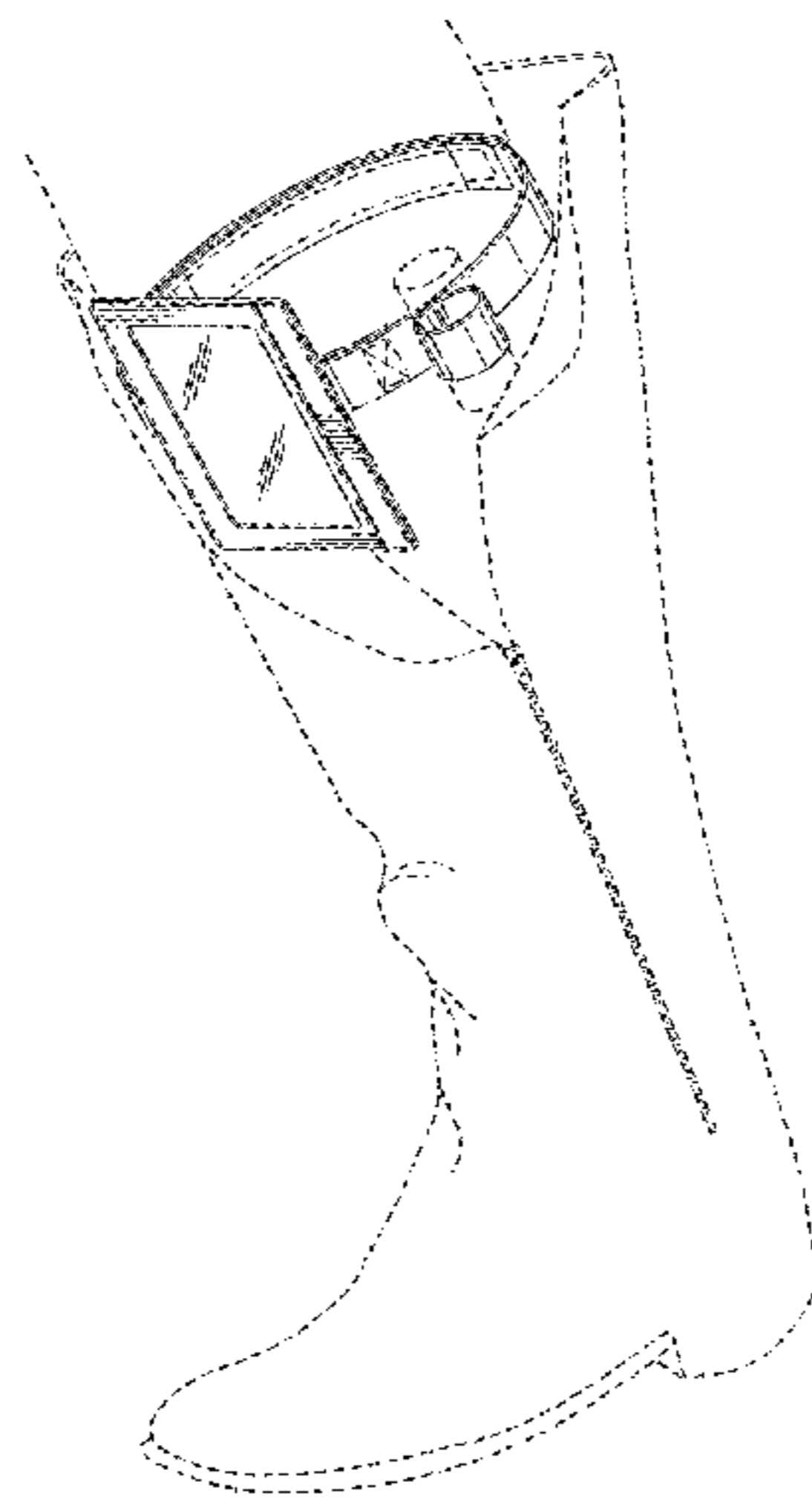
(57) **CLAIM**

I claim the ornamental design for a boot wallet, as shown and described.

DESCRIPTION

FIG. 1 is a perspective view of our new design for a boot wallet, wherein the boot wallet is being worn by a user; FIG. 2 is another perspective view thereof; FIG. 3 is a front view thereof; FIG. 4 is a rear view thereof; FIG. 5 is a side view thereof; FIG. 6 is an opposite side view thereof; FIG. 7 is a top view thereof; FIG. 8 is another perspective view thereof, wherein the boot wallet has a detached configuration; FIG. 9 is a perspective view of another embodiment of our new design for a boot wallet, wherein the boot wallet is being worn by a user; FIG. 10 is another perspective view thereof; FIG. 11 is a front view thereof; FIG. 12 is a rear view thereof; FIG. 13 is a side view thereof; FIG. 14 is an opposite side view thereof; FIG. 15 is a top view thereof; and, FIG. 16 is another perspective view thereof, wherein the boot wallet has a detached configuration. The broken lines showing a boot in FIGS. 1 and 9, and a cylindrical form in FIG. 1, indicate environment and form no part of the claimed design. The outer broken lines of the circular connector in FIGS. 8 and 16 represent inner boundaries of the claim while the broken lines within the boundary indicate environment. All other broken lines shown on the boot wallet represent stitching that forms part of the claimed design. The unevenly broken line in FIGS. 8 and 16 represents the path along which the components have been exploded.

1 Claim, 12 Drawing Sheets



(58) **Field of Classification Search**

USPC D3/207–212, 218–219; D2/610, 614,
 D2/624, 626–627, 629; D8/367, 371,
 D8/394, 395; D9/440, 447, 719, 774
 CPC A41F 1/00; A41F 9/00; A41F 9/002; A41F
 9/02; A41F 9/025; A41F 17/02; A45F
 3/00; A45F 3/005; A45F 3/006; A45F
 5/02; A45F 5/021; A45F 5/022; A45F
 5/06; A45F 2005/008; A45C 1/04; D06F
 55/00

See application file for complete search history.

(56) **References Cited**

U.S. PATENT DOCUMENTS

D343,518 S * 1/1994 Saggese, Jr. D3/215
 D358,705 S * 5/1995 Saggese, Jr. D3/215
 D399,036 S * 10/1998 Washington D2/625
 D418,973 S * 1/2000 Epstein D3/218
 6,112,961 A * 9/2000 Phillips A45C 1/04
 150/131
 6,227,424 B1 * 5/2001 Roegner A45C 1/04
 150/131
 D469,249 S * 1/2003 Cain D3/215
 D501,990 S * 2/2005 Carr D3/215

D515,805 S * 2/2006 Jones D3/215
 D527,893 S * 9/2006 Martz D3/218
 D527,899 S * 9/2006 Morehead D3/247
 D537,623 S * 3/2007 Dennis D3/218
 D549,448 S * 8/2007 Fernandez D3/215
 D589,566 S * 3/2009 Lee D20/19
 D607,198 S * 1/2010 Andre D3/218
 D623,852 S * 9/2010 Kroll D3/226
 D654,265 S * 2/2012 Roy D3/218
 D677,461 S * 3/2013 Farrell D3/226
 D680,327 S * 4/2013 Willows D3/226
 D718,935 S * 12/2014 Hyzdu D3/303
 D719,732 S * 12/2014 Hyzdu D3/303
 D724,315 S * 3/2015 Farrell D3/226
 2002/0084295 A1 * 7/2002 Martindale A45C 1/04
 224/219
 2009/0090753 A1 * 4/2009 Irvin A45C 1/04
 224/218

OTHER PUBLICATIONS

Congress Leather, Men’s Leather Boot Wallet, as posted at arcaros.com [online], posting date not available [site visited Nov. 19, 2016]. Available from the Internet, <URL: <http://www.arcaros.com/9262MenBootWallets.aspx>>.*

* cited by examiner

Fig. 1

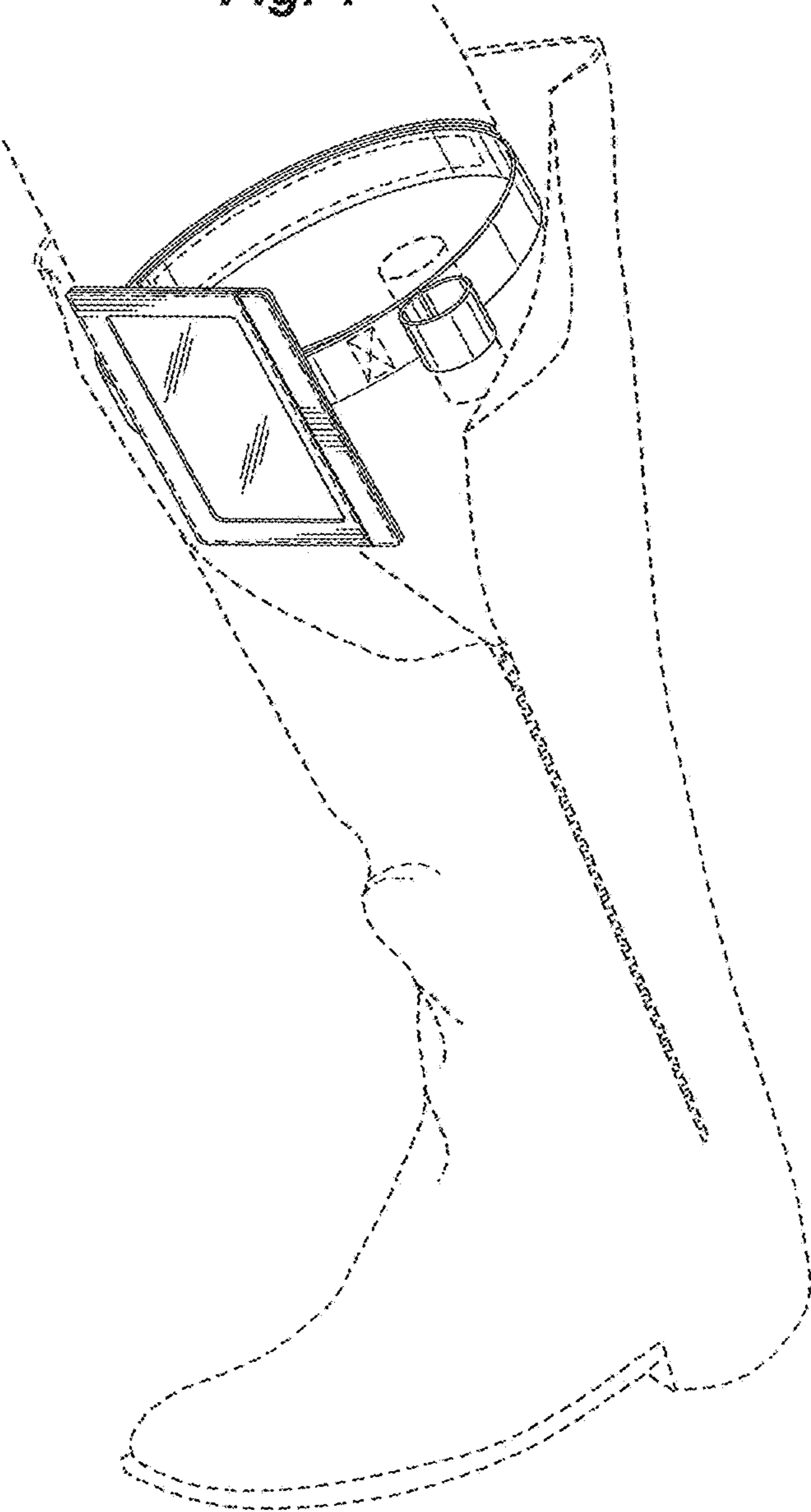


Fig. 2

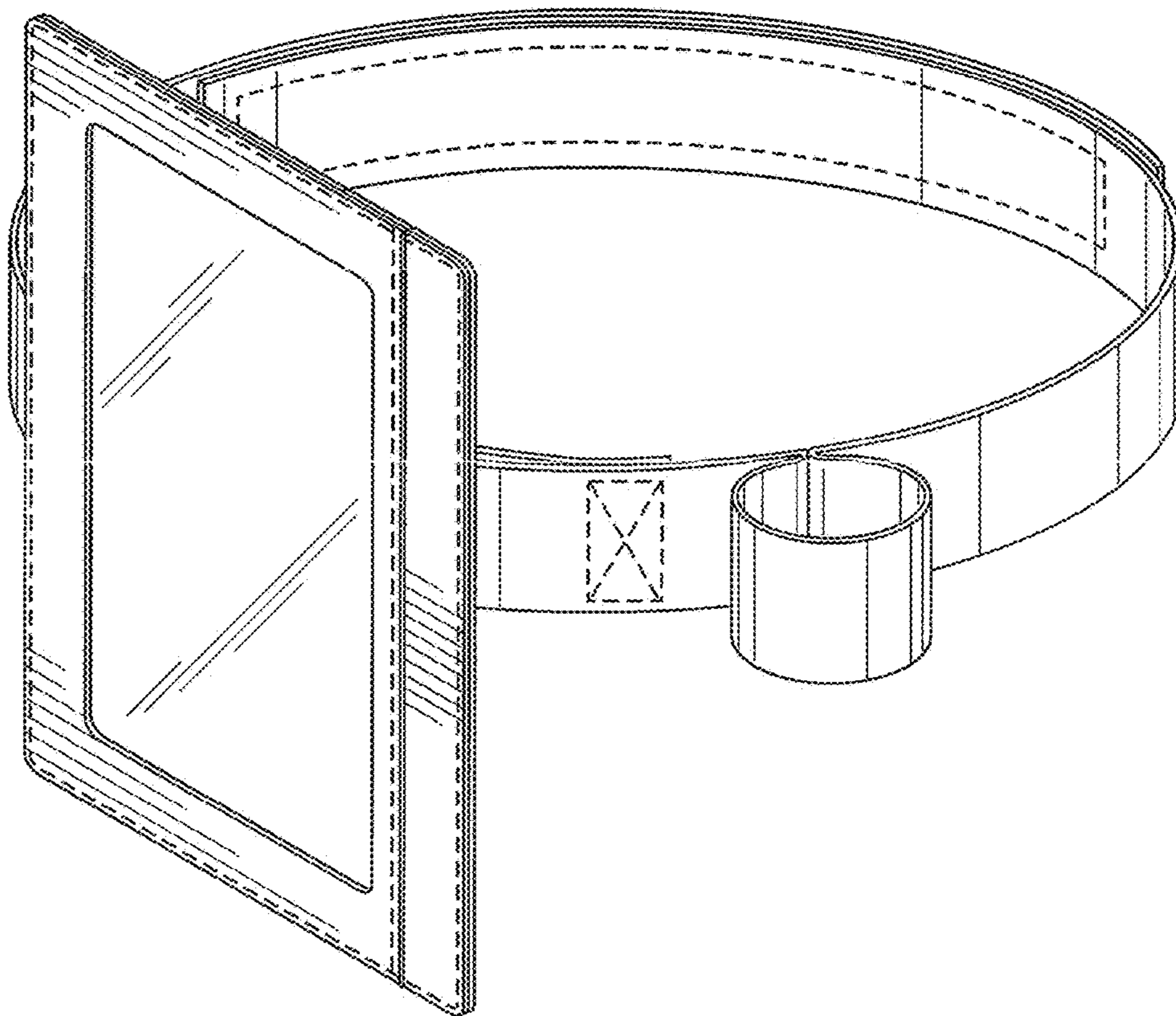


Fig. 3

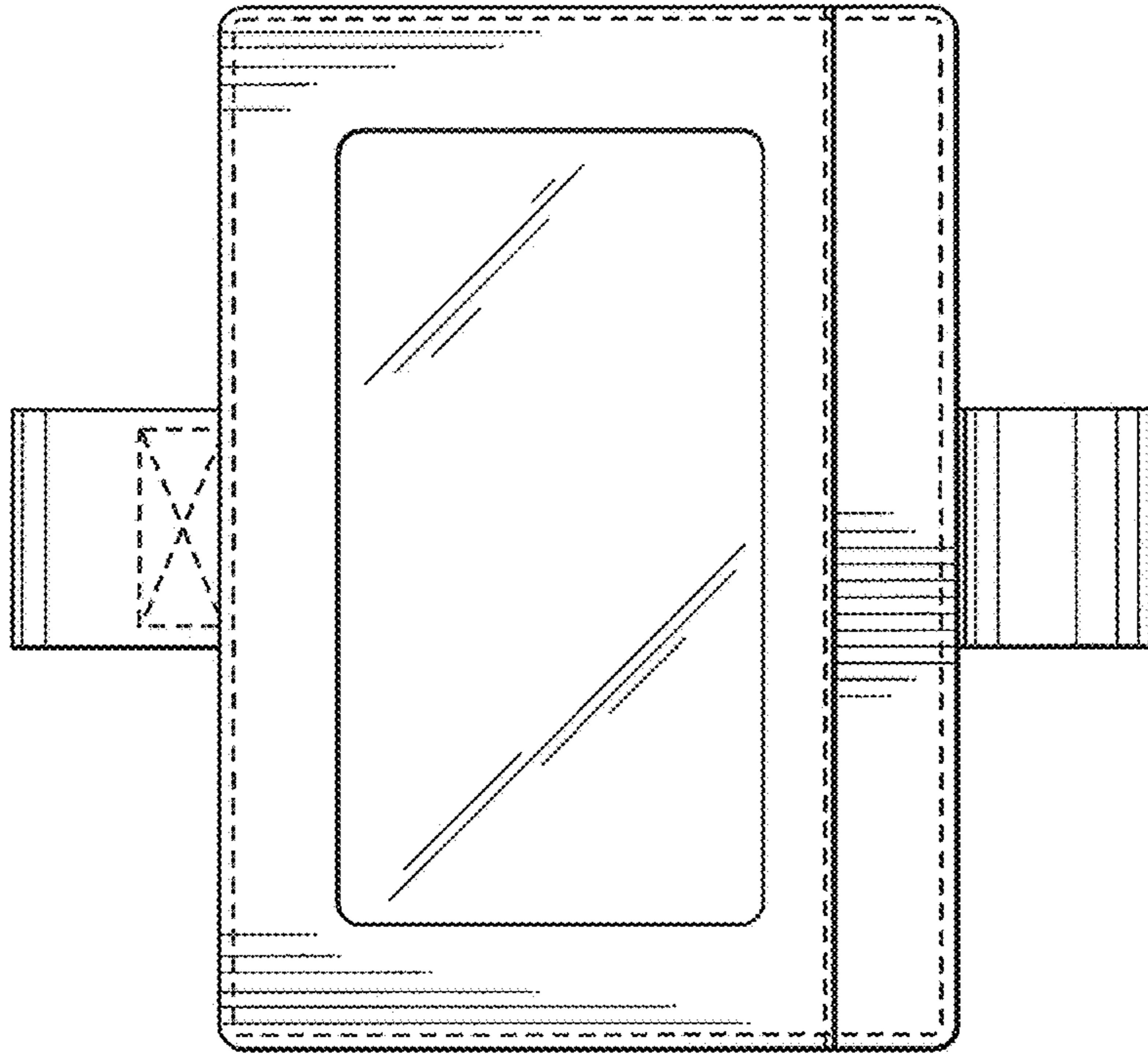


Fig. 4

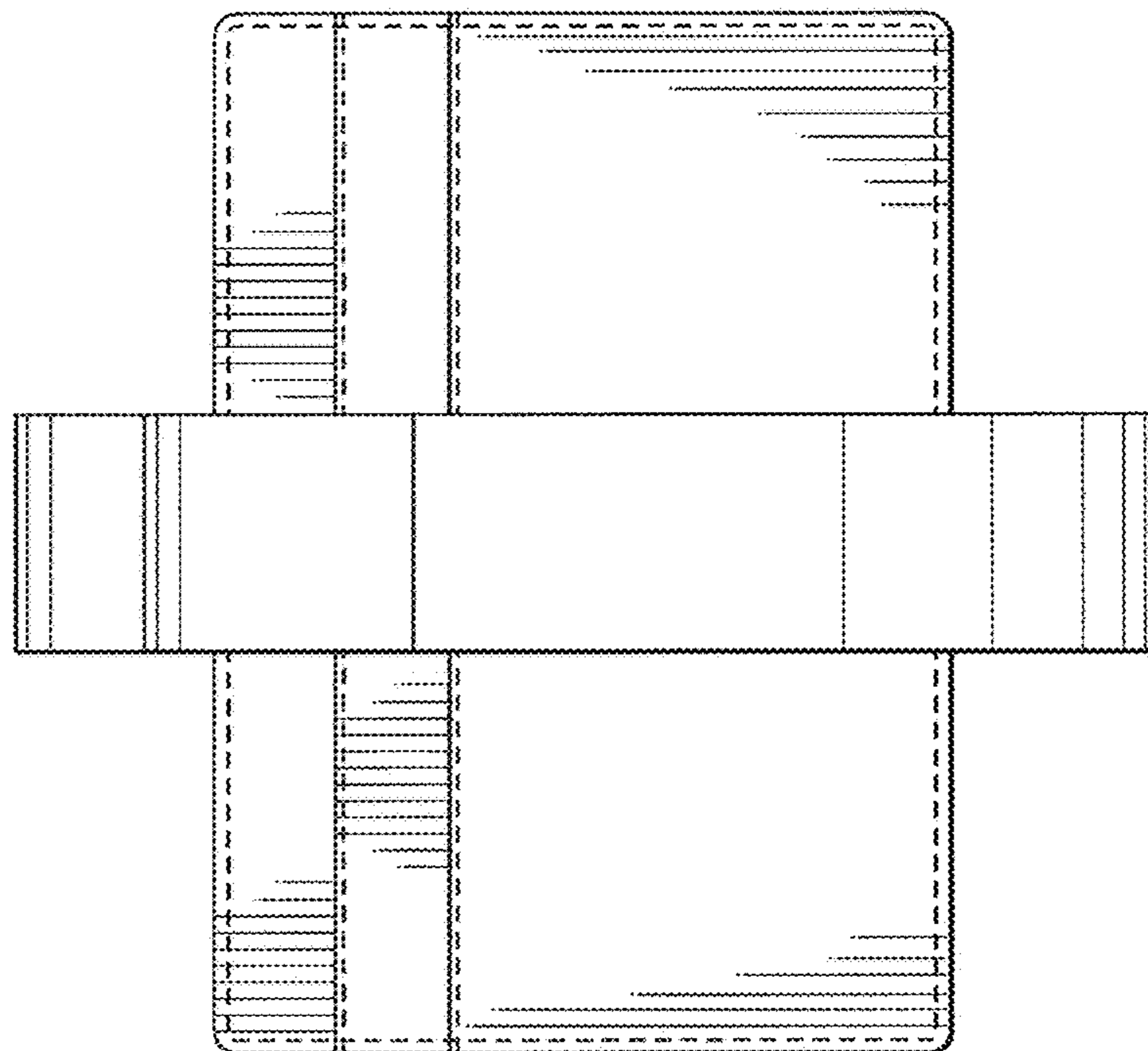


Fig. 5

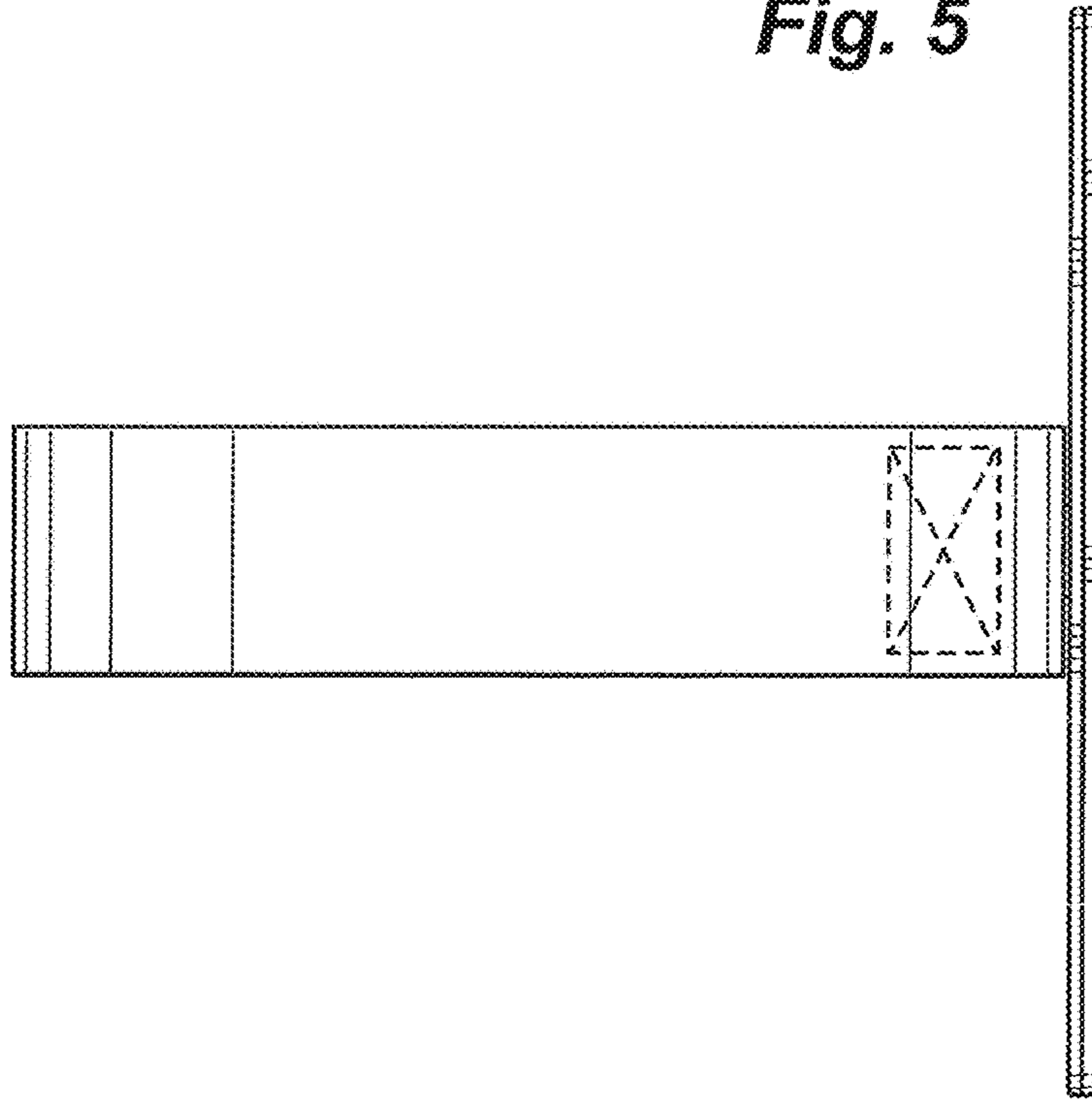


Fig. 6

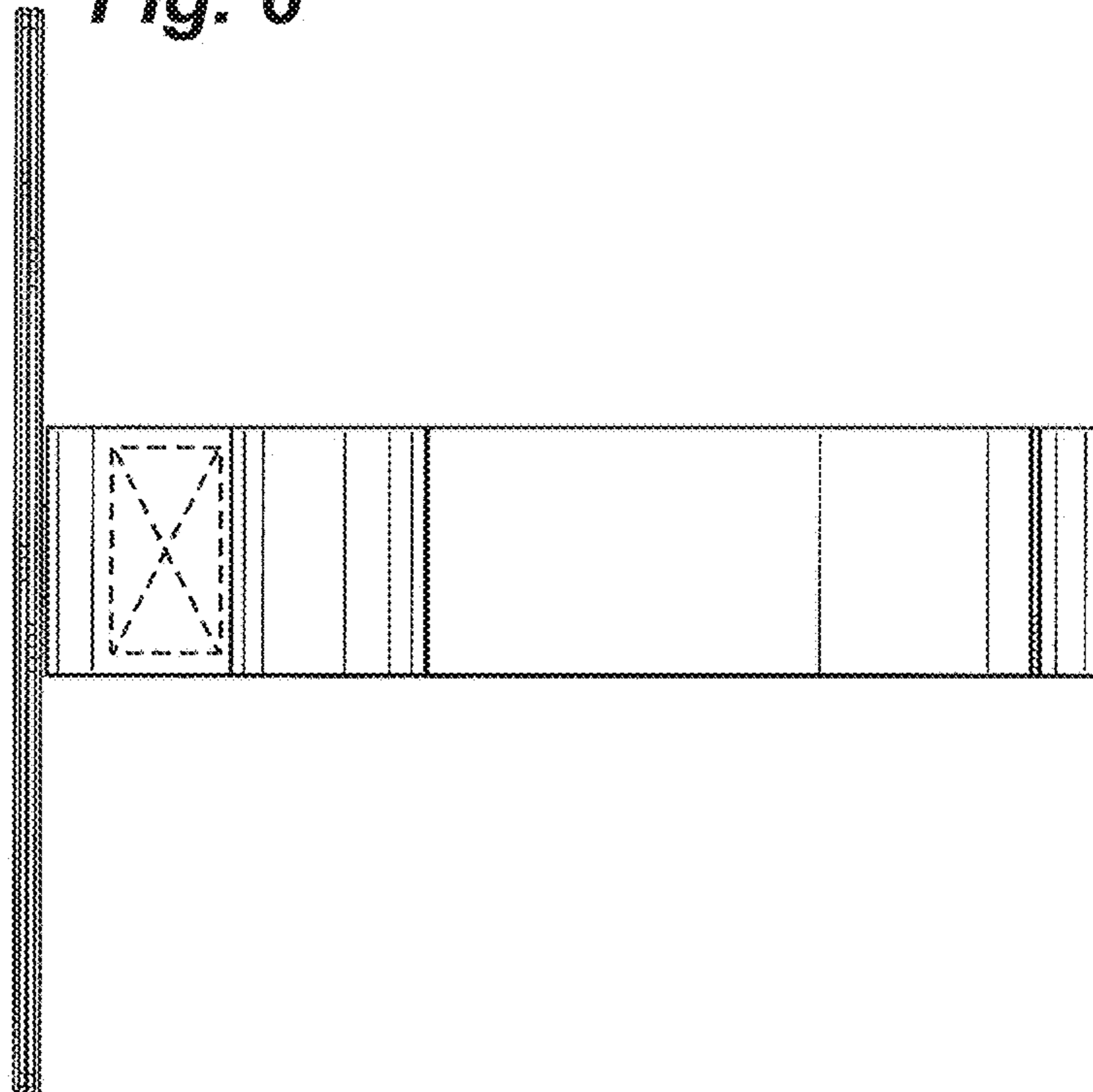
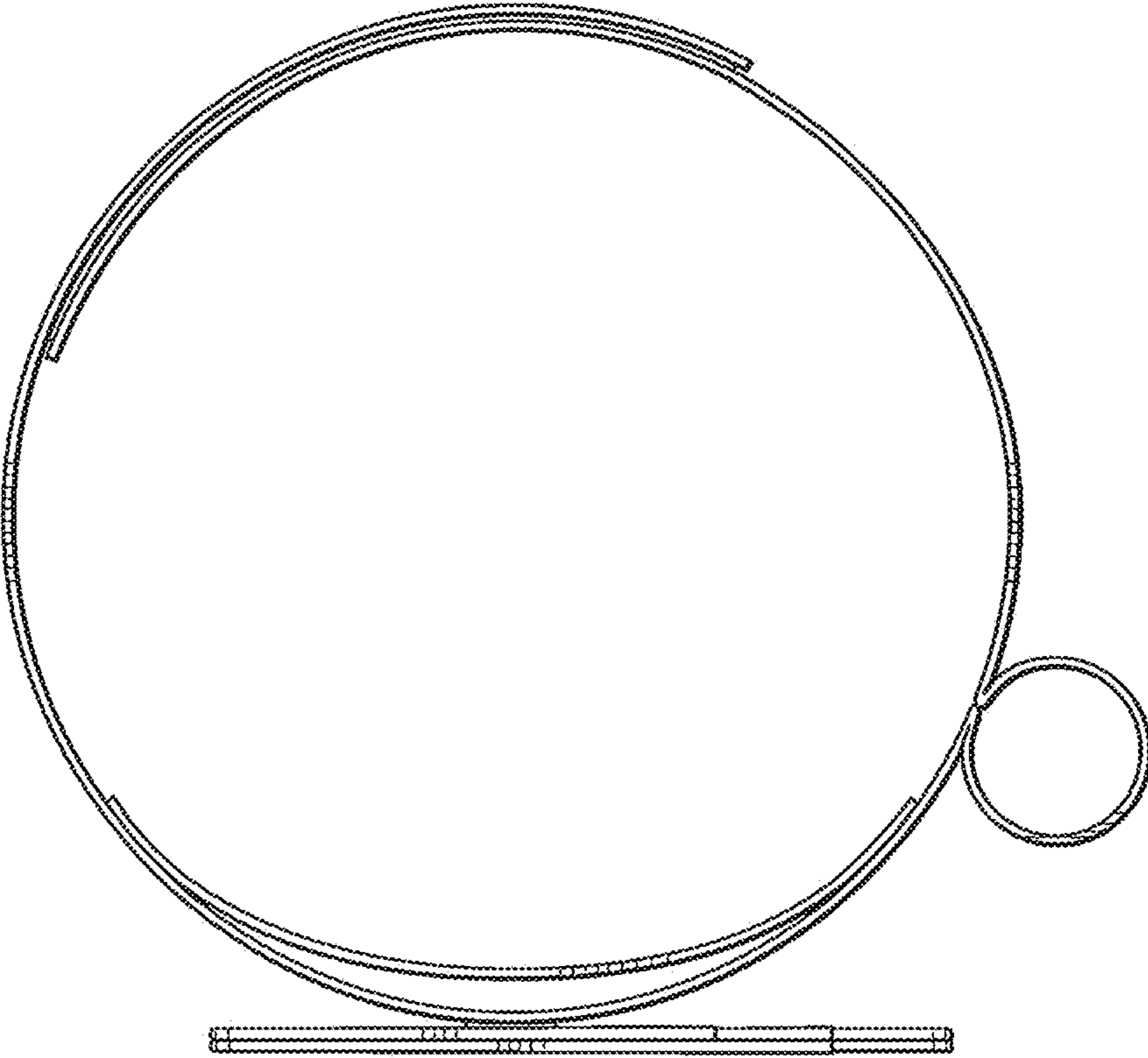


Fig. 7



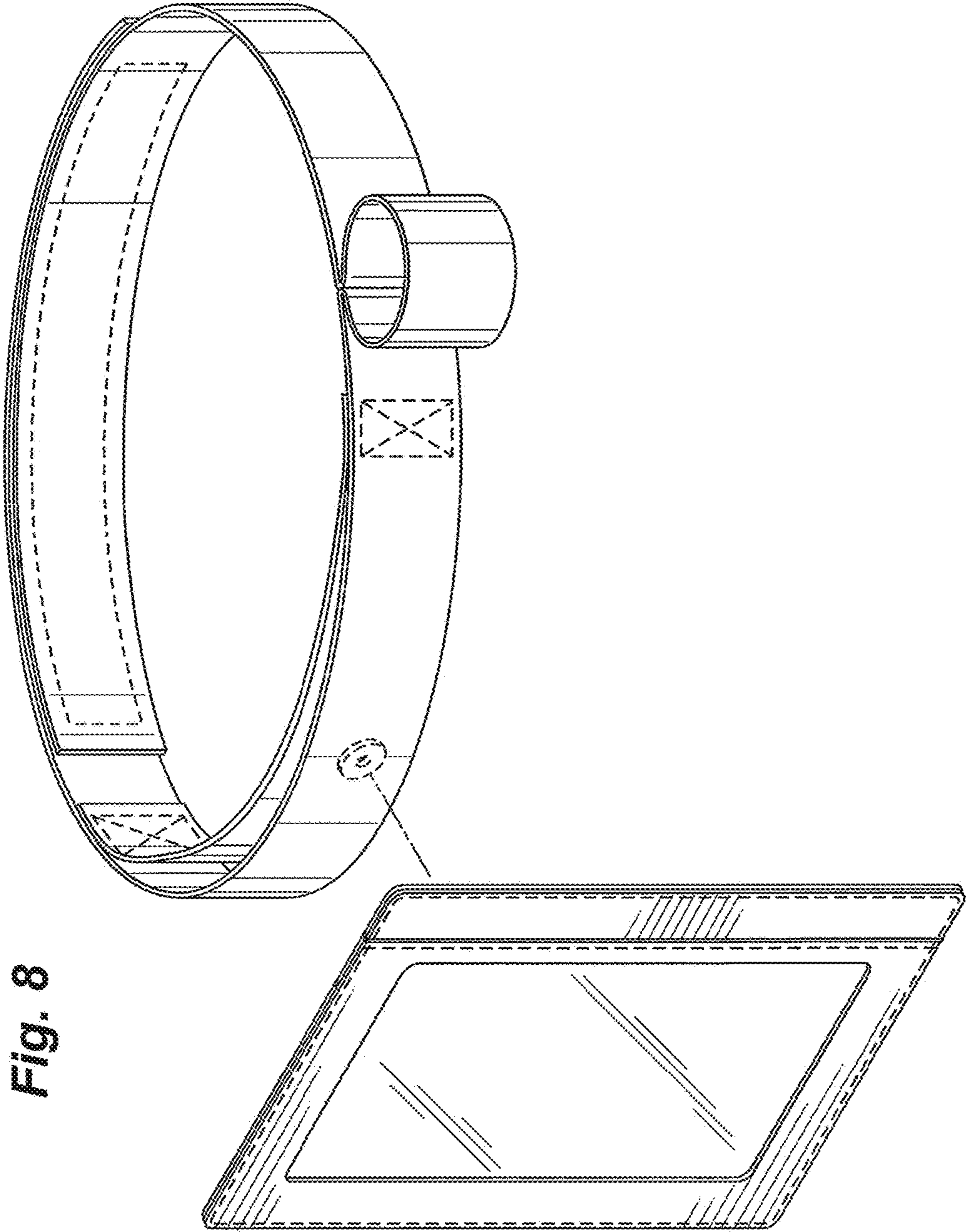


Fig. 8

Fig. 9

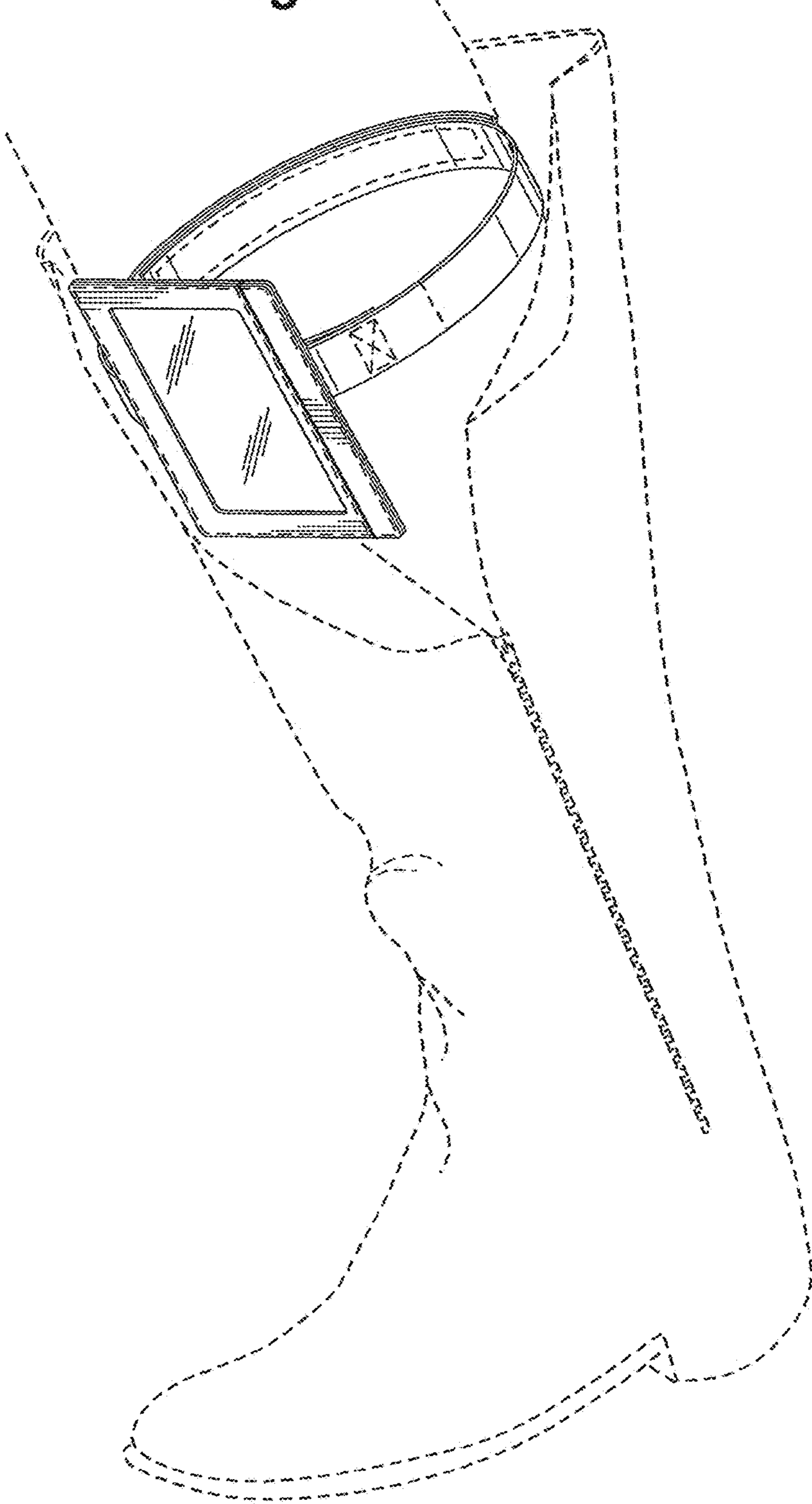


Fig. 10

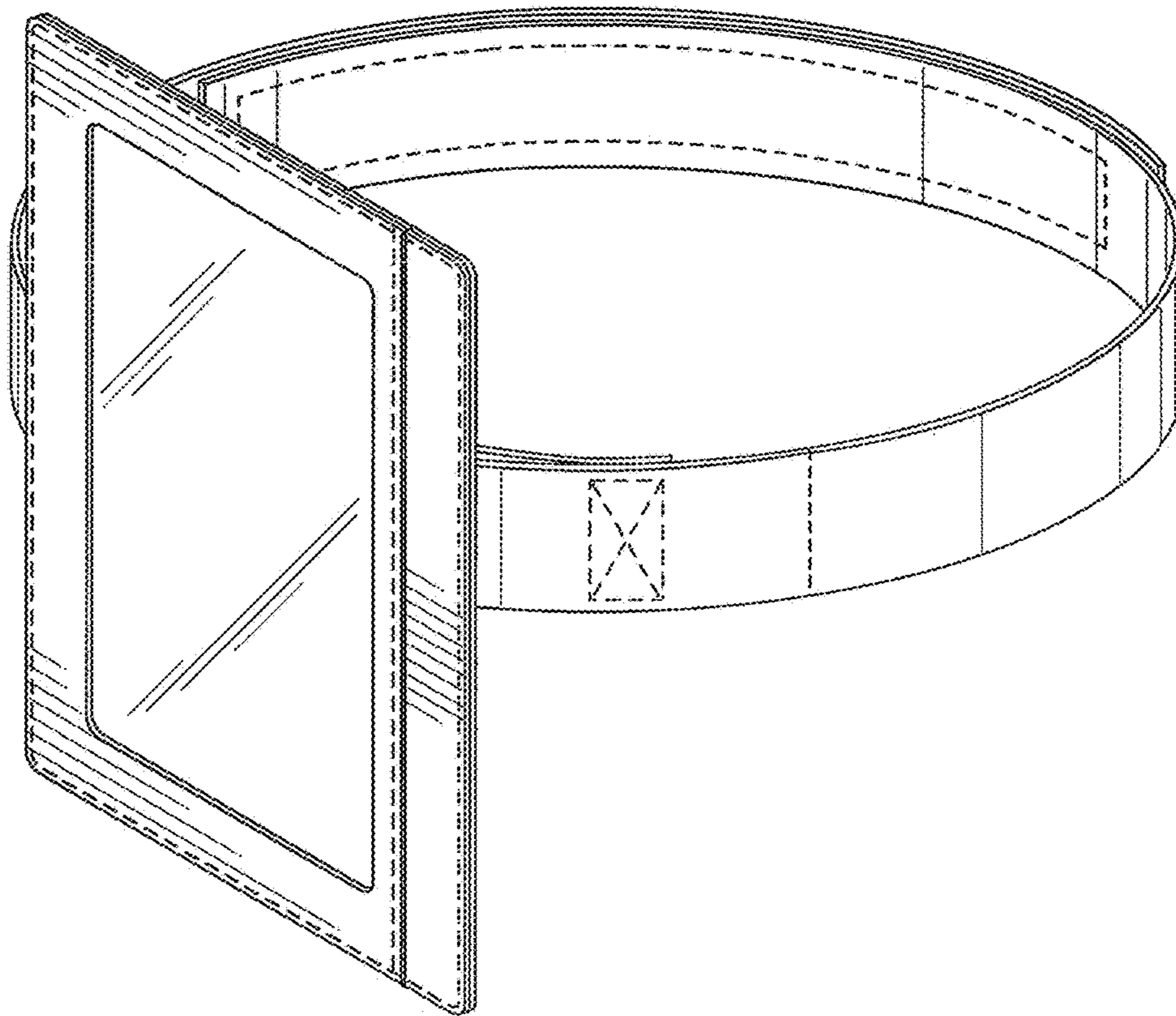


Fig. 11

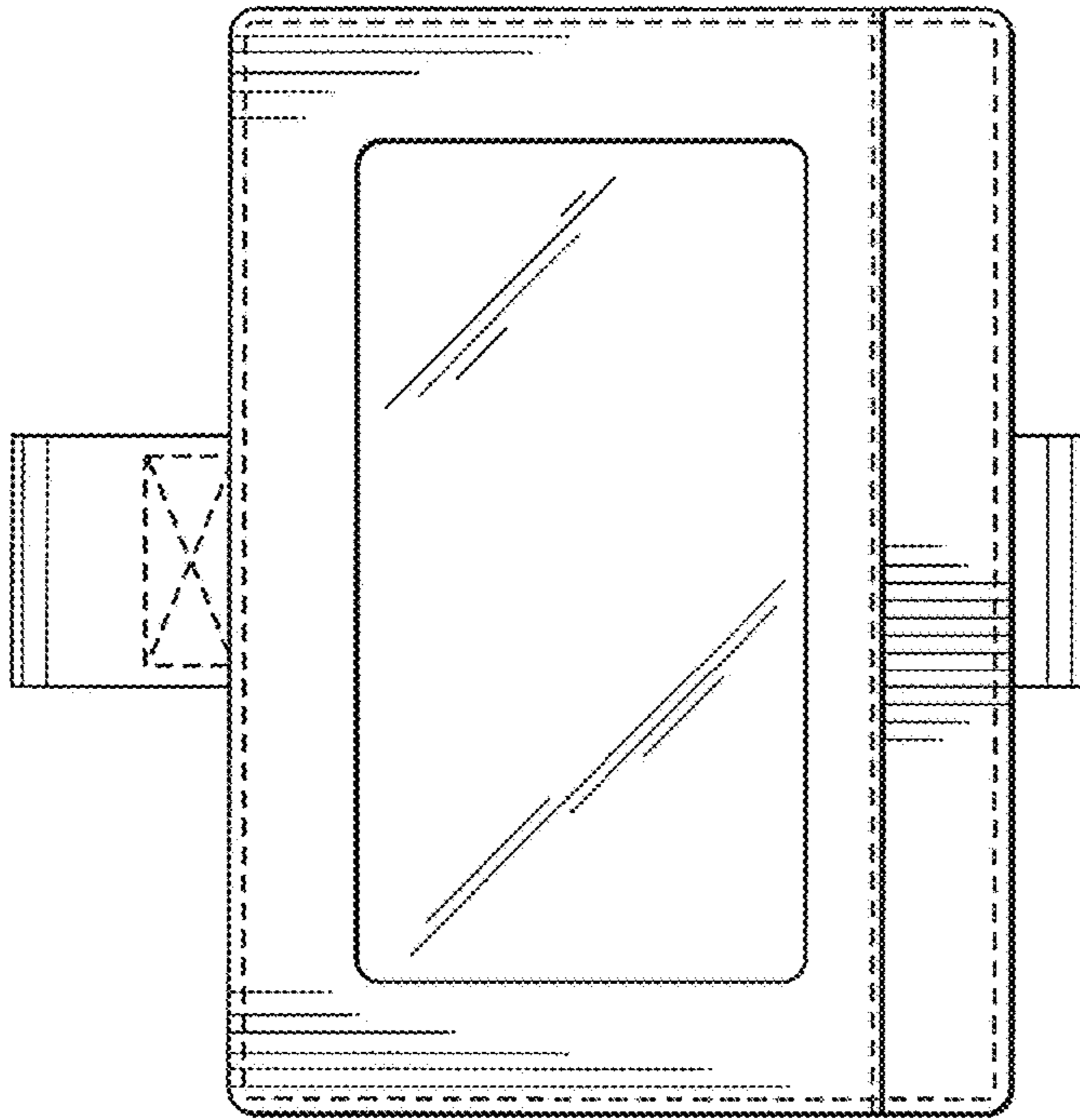


Fig. 12

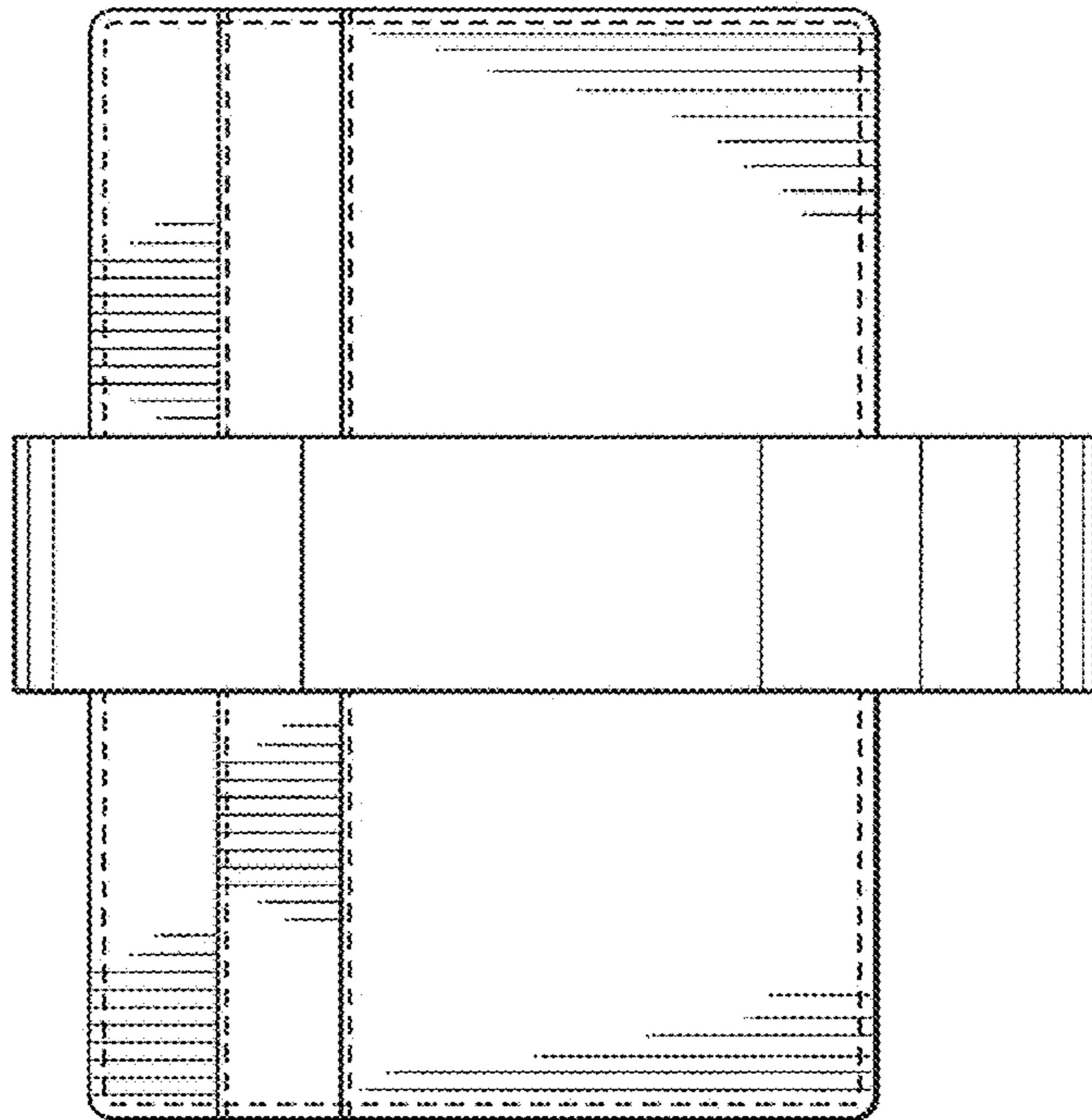


Fig. 13

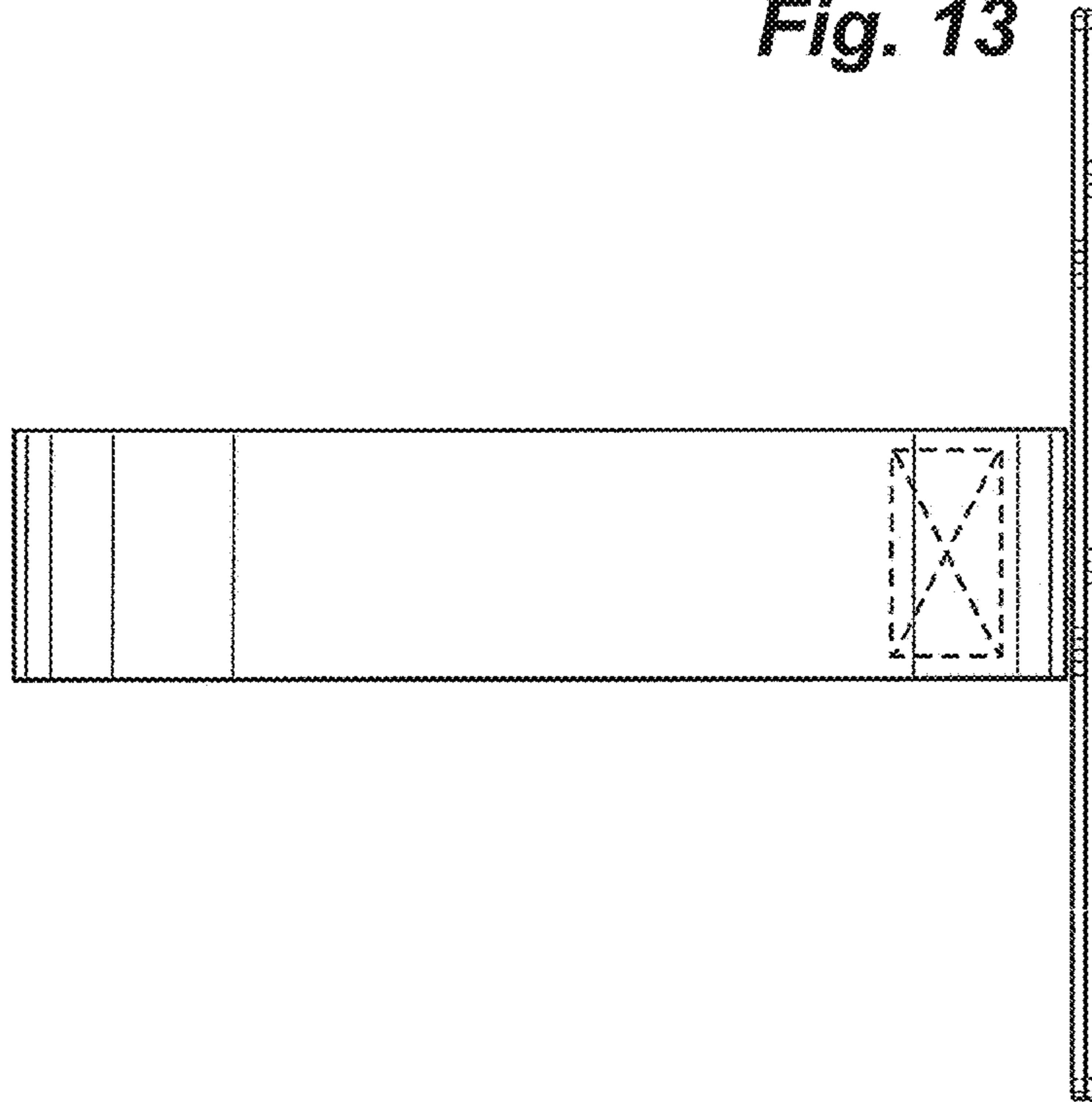


Fig. 14

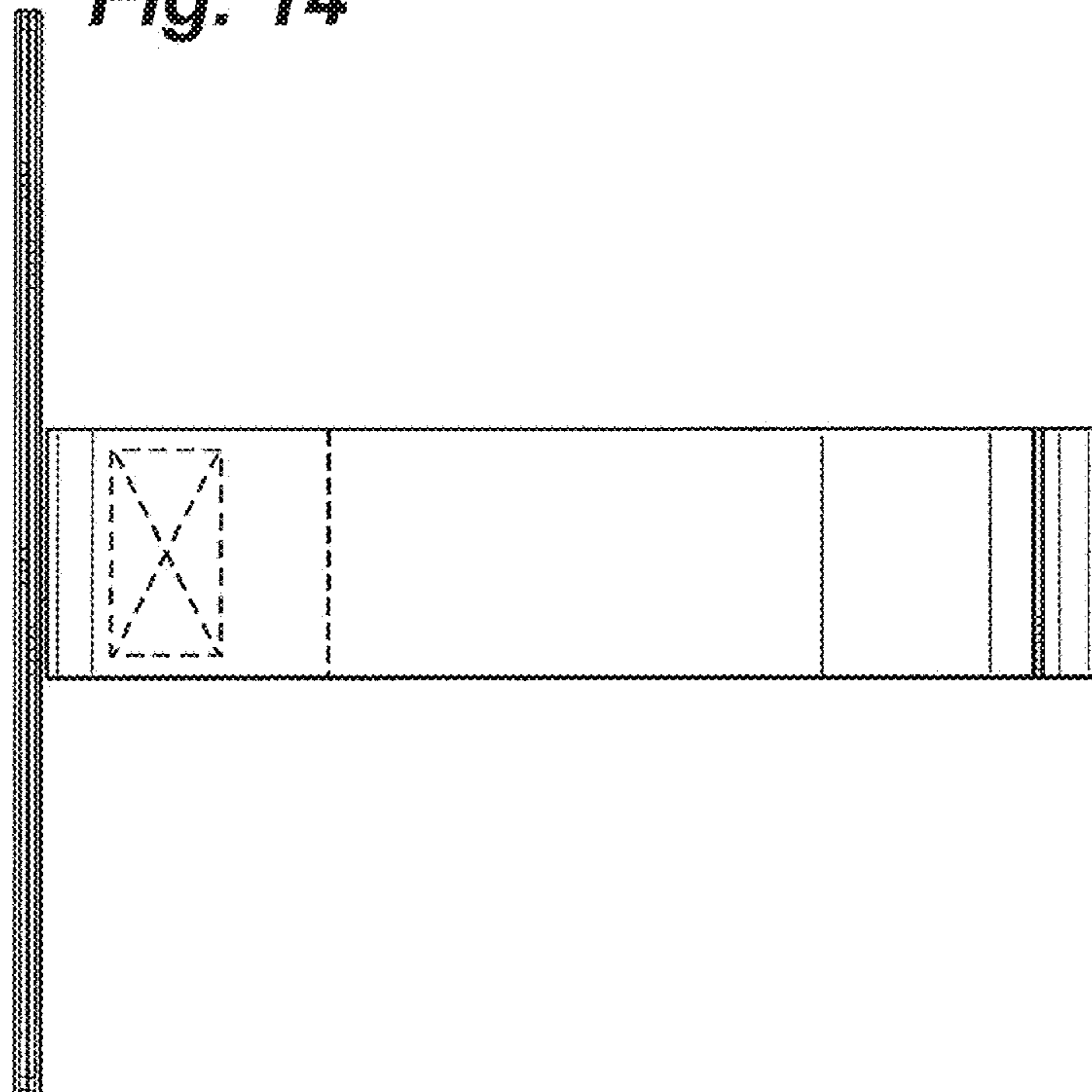
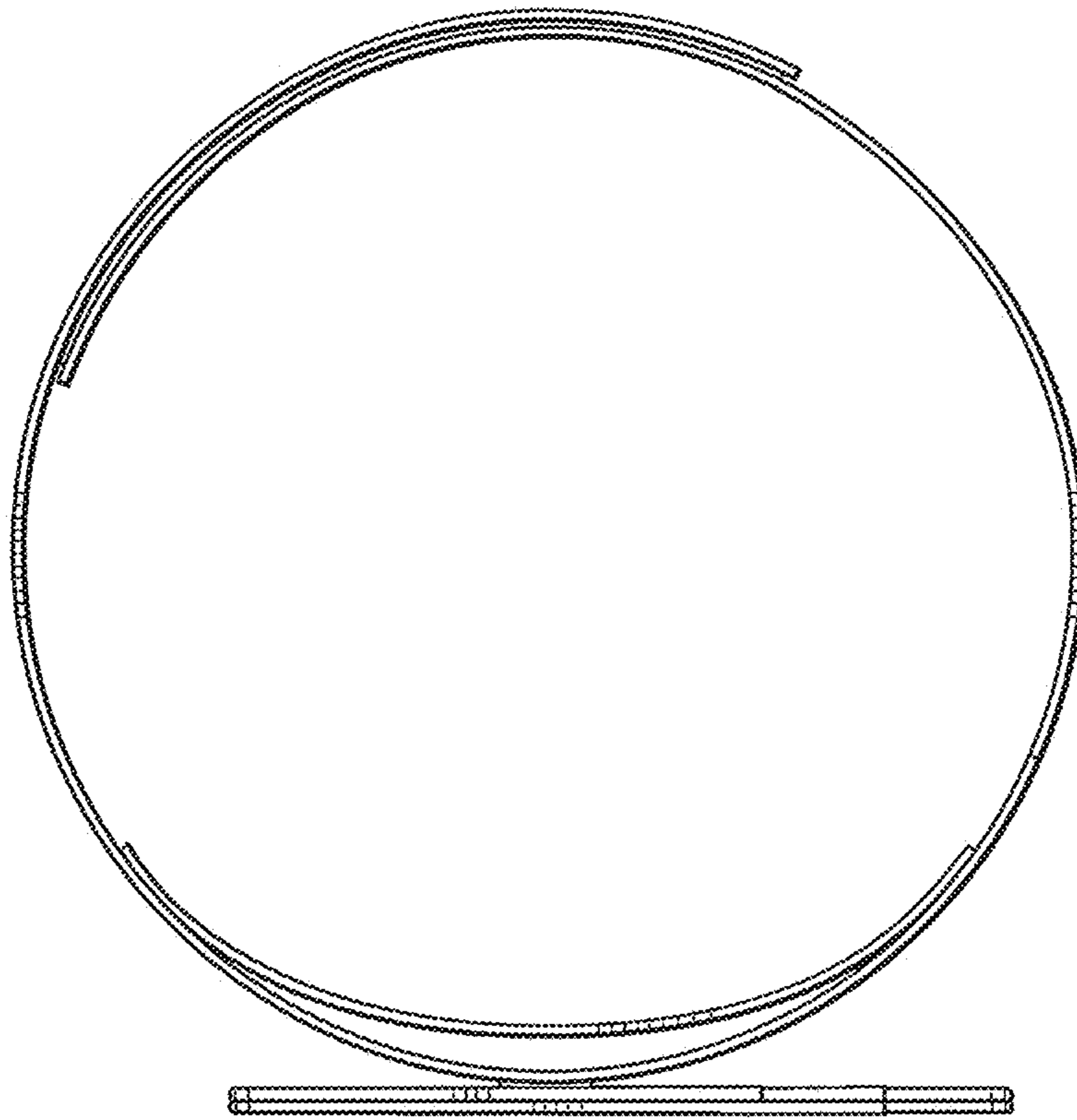


Fig. 15



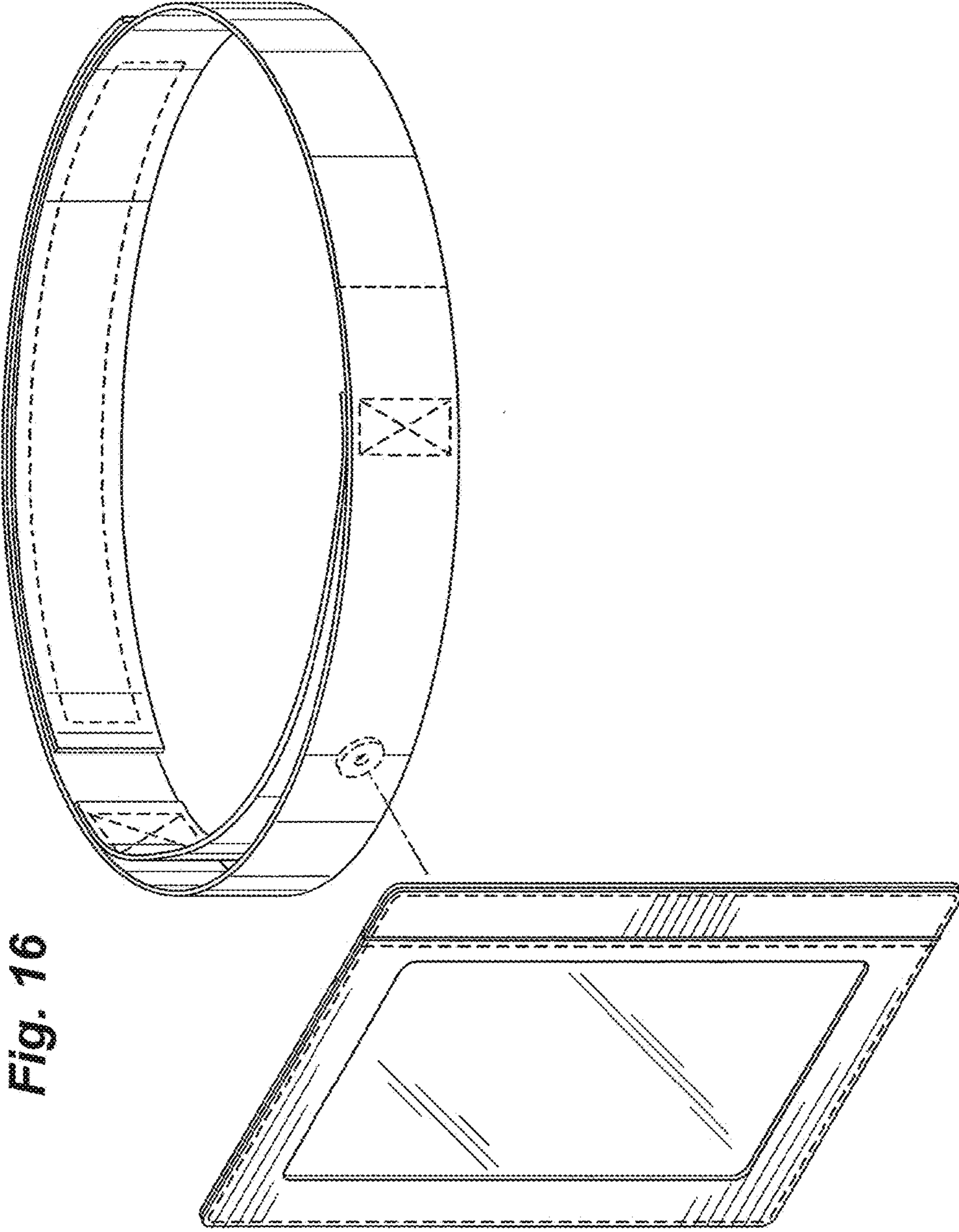


Fig. 16