



US00D797440S

(12) **United States Design Patent** (10) **Patent No.:** **US D797,440 S**
Simmons (45) **Date of Patent:** **** Sep. 19, 2017**

(54) **CIGARETTE EXTINGUISHING DEVICE FOR KEY RING**

(71) Applicant: **Michael Wayne Simmons**, Roseboro, NC (US)

(72) Inventor: **Michael Wayne Simmons**, Roseboro, NC (US)

(**) Term: **15 Years**

(21) Appl. No.: **29/551,838**

(22) Filed: **Jan. 18, 2016**

(51) **LOC (10) Cl.** **03-01**

(52) **U.S. Cl.**
USPC **D3/208**

(58) **Field of Classification Search**
USPC D11/1-2, 14, 26-29, 89-92, 44, 48, 81, D11/99; 63/26-28, 32; D3/207-212; D27/136, 137; 70/456 B, 457, 458, 70/456 R; 131/256; D14/434, 435, D14/435.1, 436, 439, 480.3, 480.1, 480.5, D14/480.7; D24/174, 173, 480.3; D8/33, D8/34

CPC A45C 11/32; A47G 29/10; A44B 15/00; A26F 3/02; A24F 3/02; A24F 13/16; A24F 13/18

See application file for complete search history.

(56) **References Cited**

U.S. PATENT DOCUMENTS

1,889,801 A 12/1932 Bessmer
1,904,084 A * 4/1933 Riley A24F 19/14
131/235.1
D121,541 S * 7/1940 Lipic, Jr. 206/232
2,231,776 A 2/1941 Seelinger
2,335,674 A * 11/1943 Horlick A24F 13/18
131/256
2,440,882 A * 5/1948 Walton A24F 13/18
131/175

D156,228 S * 11/1949 Gaudriot D3/208
2,768,631 A 10/1956 Russell
2,823,679 A * 2/1958 Vrana A24F 13/16
131/174
2,936,765 A 5/1960 Talkington
3,491,773 A 1/1970 Herbert
4,201,233 A 5/1980 Jean
D259,217 S * 5/1981 Smith D27/104
4,409,997 A 10/1983 Lehman
4,497,329 A 2/1985 O'Dell
4,570,647 A 2/1986 Pater
4,587,980 A * 5/1986 Tipper A24F 13/18
131/235.1
4,660,575 A * 4/1987 Andreason A24F 13/18
131/175
4,682,611 A * 7/1987 Chiu-Rong A24F 13/14
131/175

(Continued)

Primary Examiner — Ralf Seifert

(74) *Attorney, Agent, or Firm* — Dale J. Ream

(57) **CLAIM**

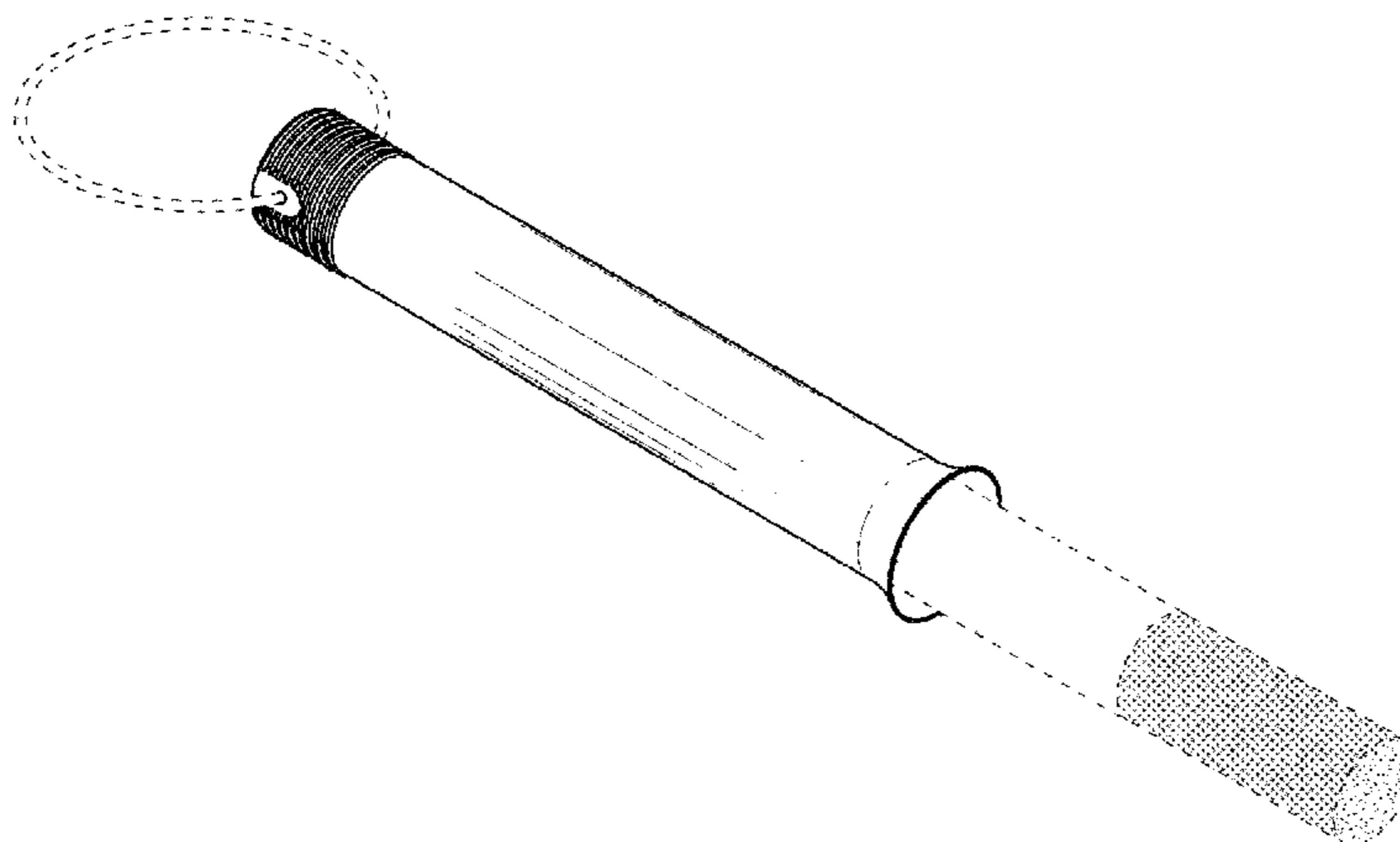
The ornamental design for a cigarette extinguishing device for key ring, as shown and described.

DESCRIPTION

FIG. 1 is a perspective view of a cigarette extinguishing device for key ring showing my new design;
FIG. 2 is another perspective view of a cigarette extinguishing device for key ring;
FIG. 3 is a front view thereof;
FIG. 4 is a back view thereof;
FIG. 5 is a right side view thereof;
FIG. 6 is a left side view thereof;
FIG. 7 is a top view thereof; and,
FIG. 8 is a bottom view thereof.

In the drawings, the broken lines are for the purpose of illustrating portions of the cigarette extinguishing device for key ring and form no part of the claimed design.

1 Claim, 5 Drawing Sheets



(56)

References Cited

U.S. PATENT DOCUMENTS

4,703,766 A * 11/1987 Wargo A24F 13/18
131/175
D303,438 S * 9/1989 Higgins D27/136
4,886,076 A 12/1989 Gilbert et al.
4,984,586 A 1/1991 Nae-Won
D344,612 S * 2/1994 Dean D27/108
5,345,953 A 9/1994 Taylor
5,377,826 A * 1/1995 Ayres A24F 13/18
131/235.1
5,385,157 A * 1/1995 Smith A24F 13/18
131/235.1
5,564,443 A 10/1996 Cardenas
5,848,595 A 12/1998 Arthur
D409,327 S * 5/1999 Brock D19/170
6,321,757 B1 11/2001 McCutcheon
6,463,936 B1 * 10/2002 Hicks A24F 13/18
131/187
D468,858 S * 1/2003 Fischer D27/136
D522,173 S * 5/2006 Sanders D27/187
D586,952 S * 2/2009 Bennett D27/135
8,739,967 B1 6/2014 George

* cited by examiner

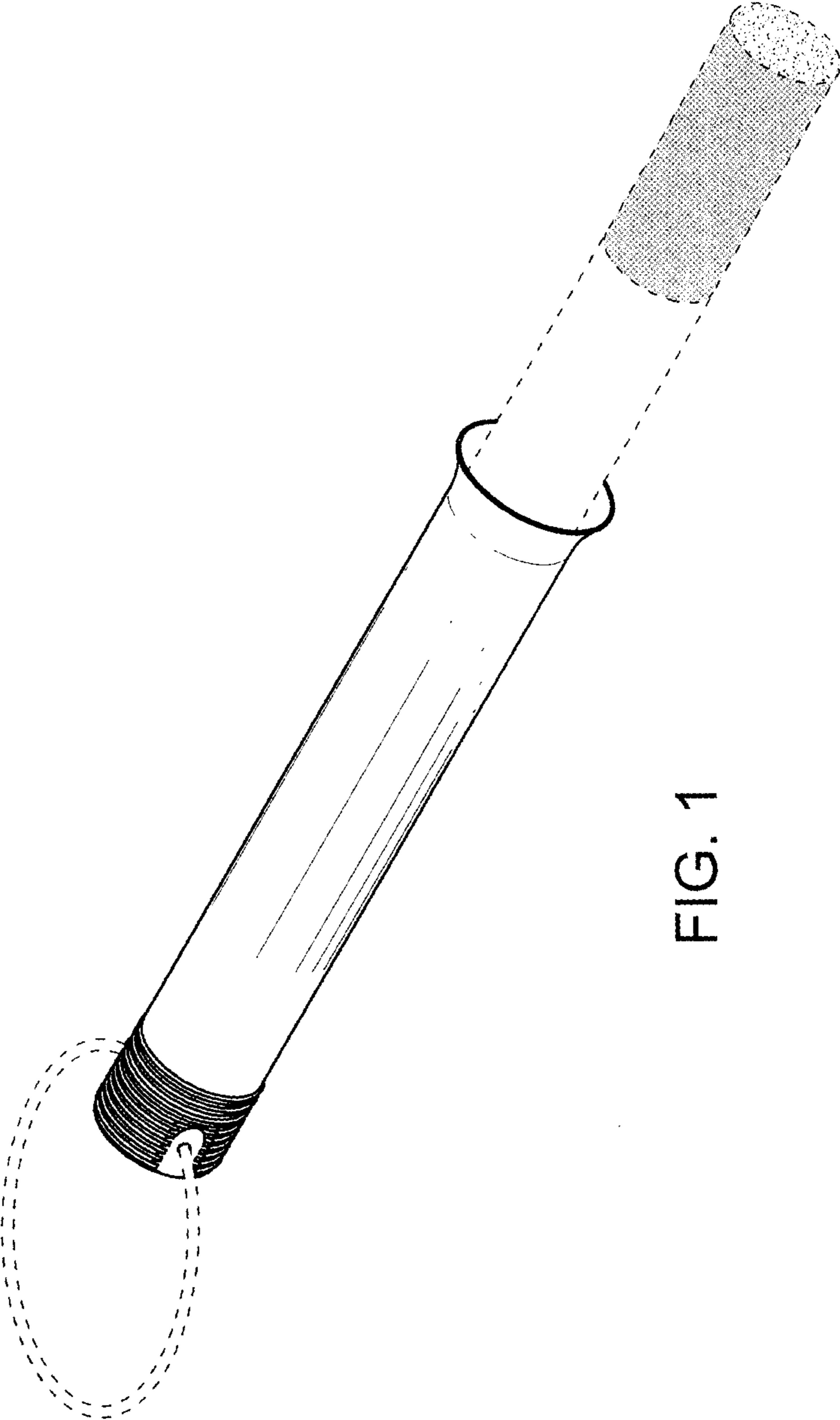


FIG. 1

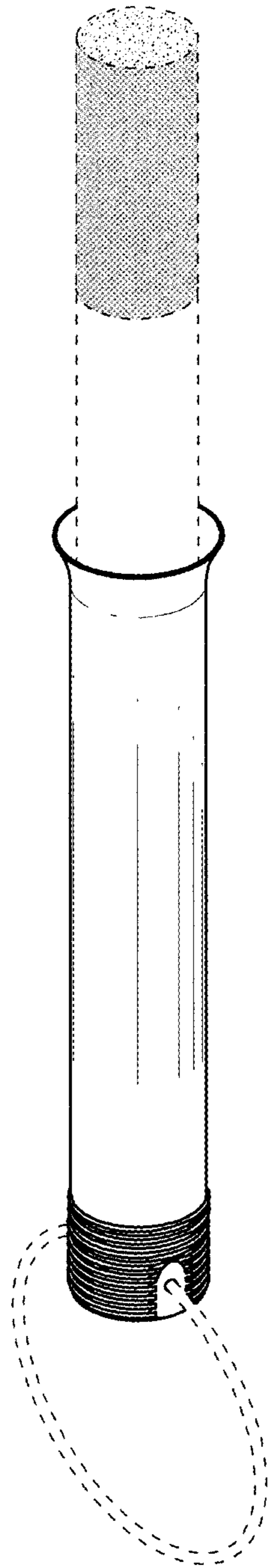


FIG. 2

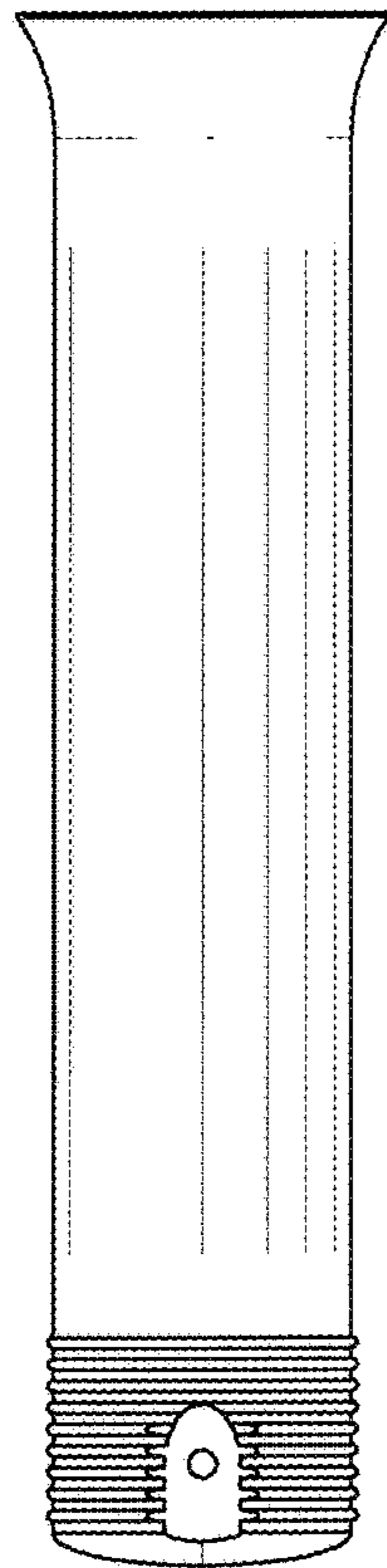


FIG. 3

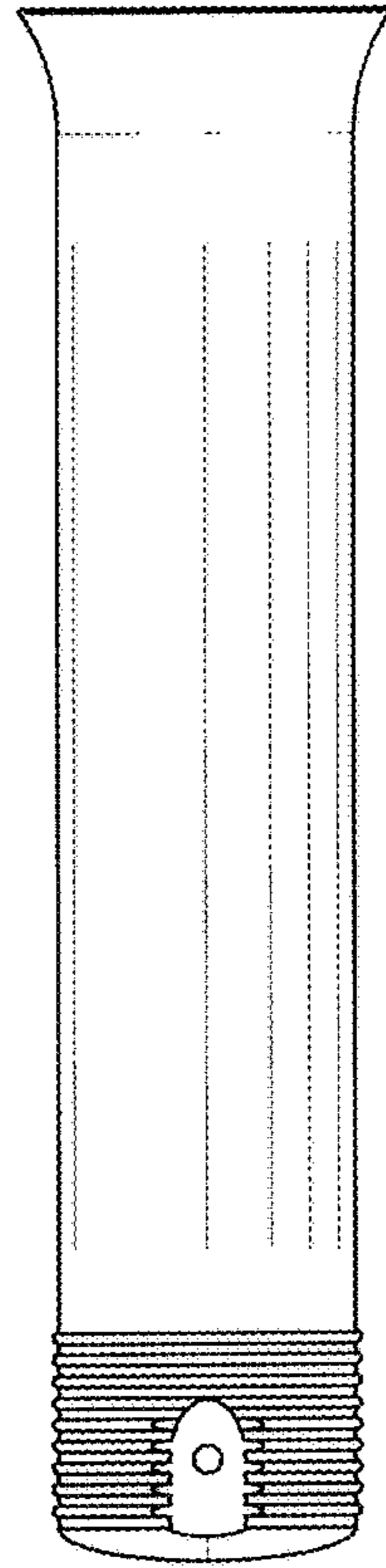


FIG. 4

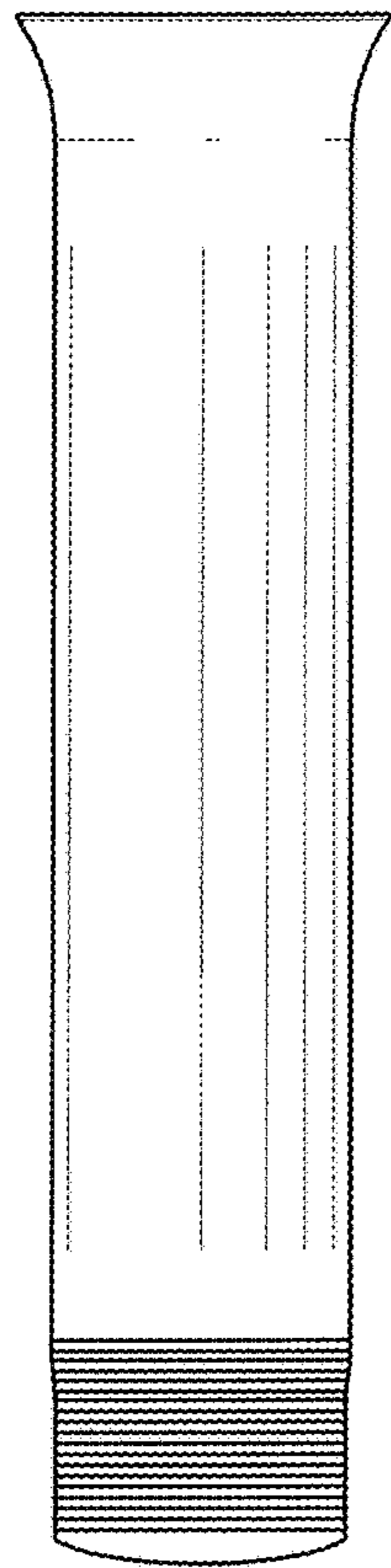


FIG. 5

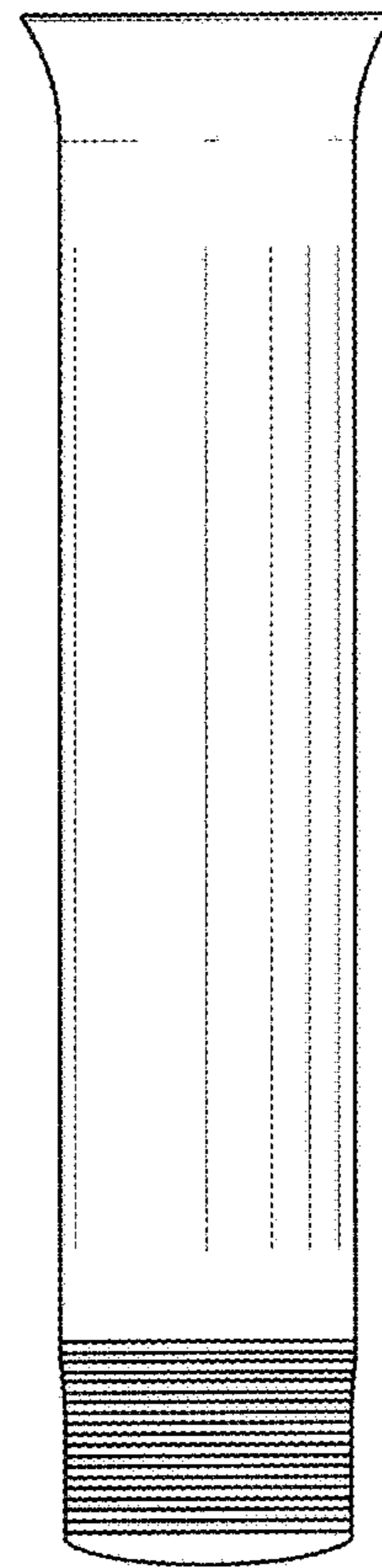


FIG. 6

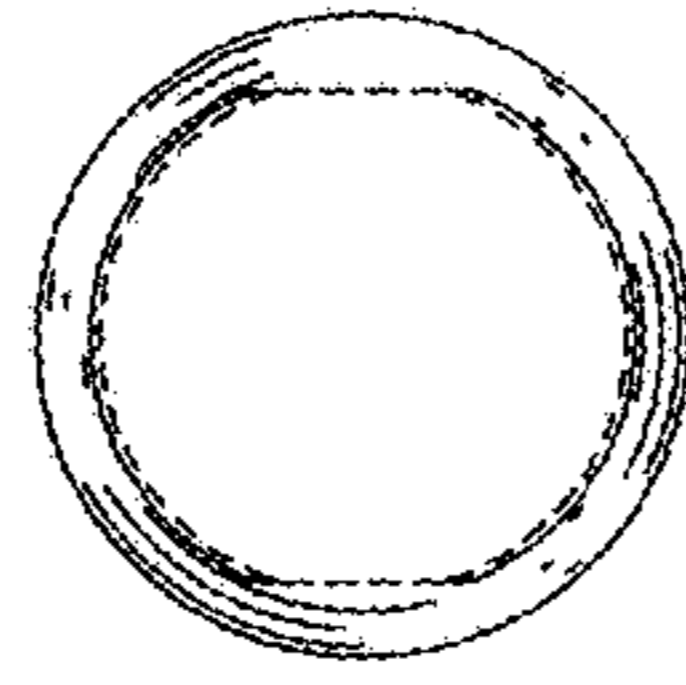


FIG. 7

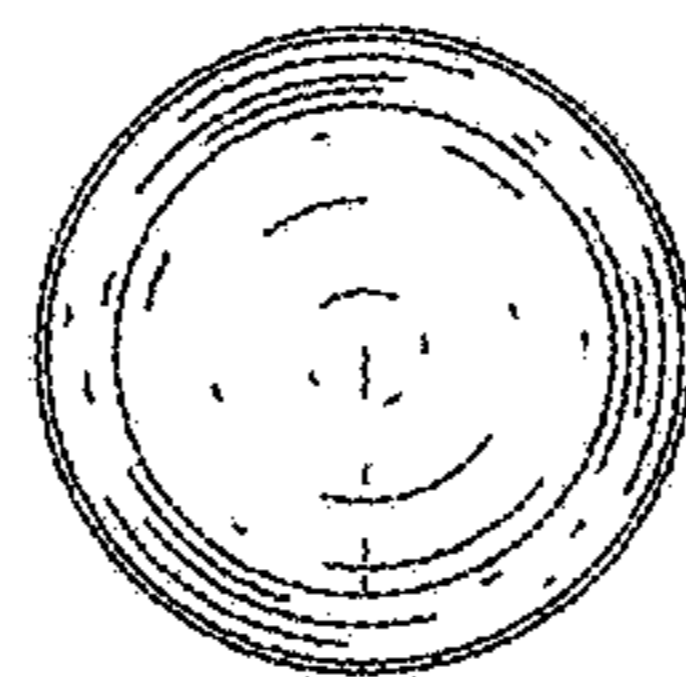


FIG. 8