



US00D797414S

(12) **United States Design Patent** (10) **Patent No.:** **US D797,414 S**  
**Castilho De Brito** (45) **Date of Patent:** **\*\* Sep. 19, 2017**

(54) **SHOE**  
(71) Applicant: **GRENDENE S.A.**, Sobral (BR)  
(72) Inventor: **Robson Castilho De Brito**, Caxias do Sul (BR)  
(73) Assignee: **GRENDENE S.A.**, Sobral, CE (BR)  
(\*\*) Term: **15 Years**  
(21) Appl. No.: **29/569,789**  
(22) Filed: **Jun. 30, 2016**  
(51) **LOC (10) Cl.** ..... **02-04**  
(52) **U.S. Cl.**  
USPC ..... **D2/930; D2/929**  
(58) **Field of Classification Search**  
USPC ..... D2/896, 925-942, 971  
CPC ..... A43B 21/00; A43B 21/02; A43B 21/06;  
A43B 9/14; A43B 1/0045; A43B 13/10;  
A43B 13/12; A43B 23/06; A43B 23/07;  
A43B 1/0036; A43B 5/12  
See application file for complete search history.

(56) **References Cited**  
U.S. PATENT DOCUMENTS  
1,795,769 A \* 3/1931 Frohman ..... A43B 1/06  
D2/930  
D84,047 S \* 4/1931 Morali ..... D2/930  
D93,541 S \* 10/1934 Deliso ..... D2/933  
D93,588 S \* 10/1934 Wertheim ..... D2/941  
D93,962 S \* 12/1934 Benjamin ..... D2/941  
D94,492 S \* 2/1935 Kalmon ..... D2/941  
D95,083 S \* 4/1935 Siegler ..... D2/940  
D98,091 S \* 1/1936 Schwartz ..... D2/937  
D99,059 S \* 3/1936 Troy ..... D2/941  
D99,344 S \* 4/1936 Colella ..... D2/941  
D100,545 S \* 7/1936 Davis ..... D2/971  
D100,730 S \* 8/1936 Jayne ..... D2/971  
D106,935 S \* 11/1937 Sholtz ..... D2/932

D119,326 S \* 3/1940 Fein et al. .... D2/927  
D121,467 S \* 7/1940 Calderazzo ..... D2/927  
D142,507 S \* 10/1945 Wolock ..... D2/927  
D176,338 S \* 12/1955 Joycek ..... D2/927  
D521,717 S \* 5/2006 Choi ..... D2/971  
D522,726 S \* 6/2006 Choi ..... D2/971  
D568,592 S \* 5/2008 Choi ..... D2/927

\* cited by examiner  
*Primary Examiner* — Dominic Simone  
(74) *Attorney, Agent, or Firm* — Hauptman Ham, LLP;  
Sean A. Passino; Rachel K. Pilloff

(57) **CLAIM**  
An ornamental design for a shoe, as shown and described.

**DESCRIPTION**  
FIG. 1 is a perspective view of a shoe showing my new design;  
FIG. 2 is a side elevational view of the inside (arch-side) thereof;  
FIG. 3 is a side elevational view of the outside thereof;  
FIG. 4 is a top plan view thereof;  
FIG. 5 is a bottom plan view thereof;  
FIG. 6 is an elevational front (toe) view thereof; and  
FIG. 7 is an elevational rear (heel) view thereof.  
FIG. 8 is a perspective view of a shoe showing my new design;  
FIG. 9 is a side elevational view of the inside (arch-side) thereof;  
FIG. 10 is a side elevational view of the outside thereof;  
FIG. 11 is a top plan view thereof;  
FIG. 12 is a bottom plan view thereof;  
FIG. 13 is an elevational front (toe) view thereof; and,  
FIG. 14 is an elevational rear (heel) view thereof.  
Any color shown on the claimed design forms no part thereof. The shoe is typically placed on feet of persons.

**1 Claim, 14 Drawing Sheets**





FIG. 1

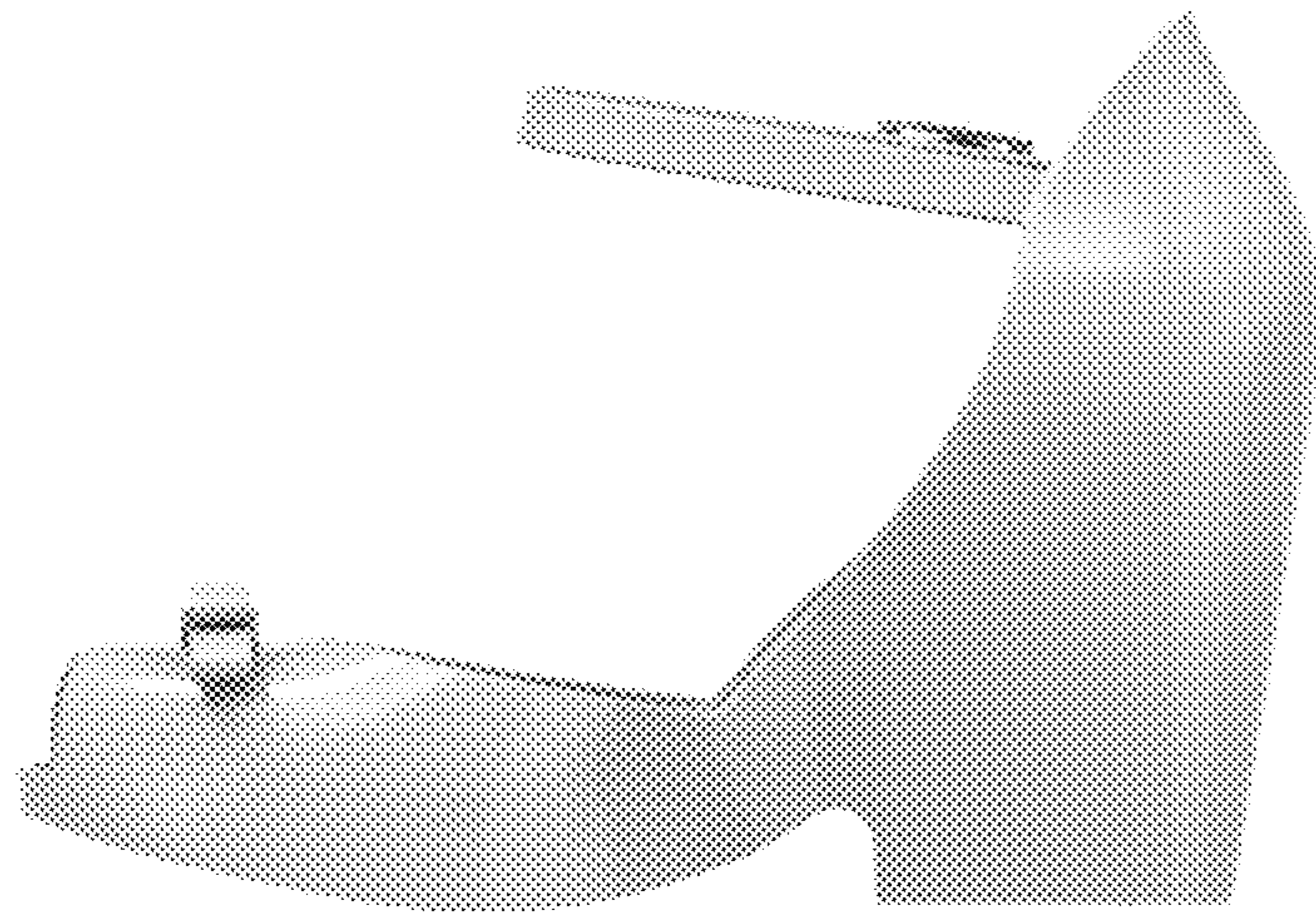


FIG. 2

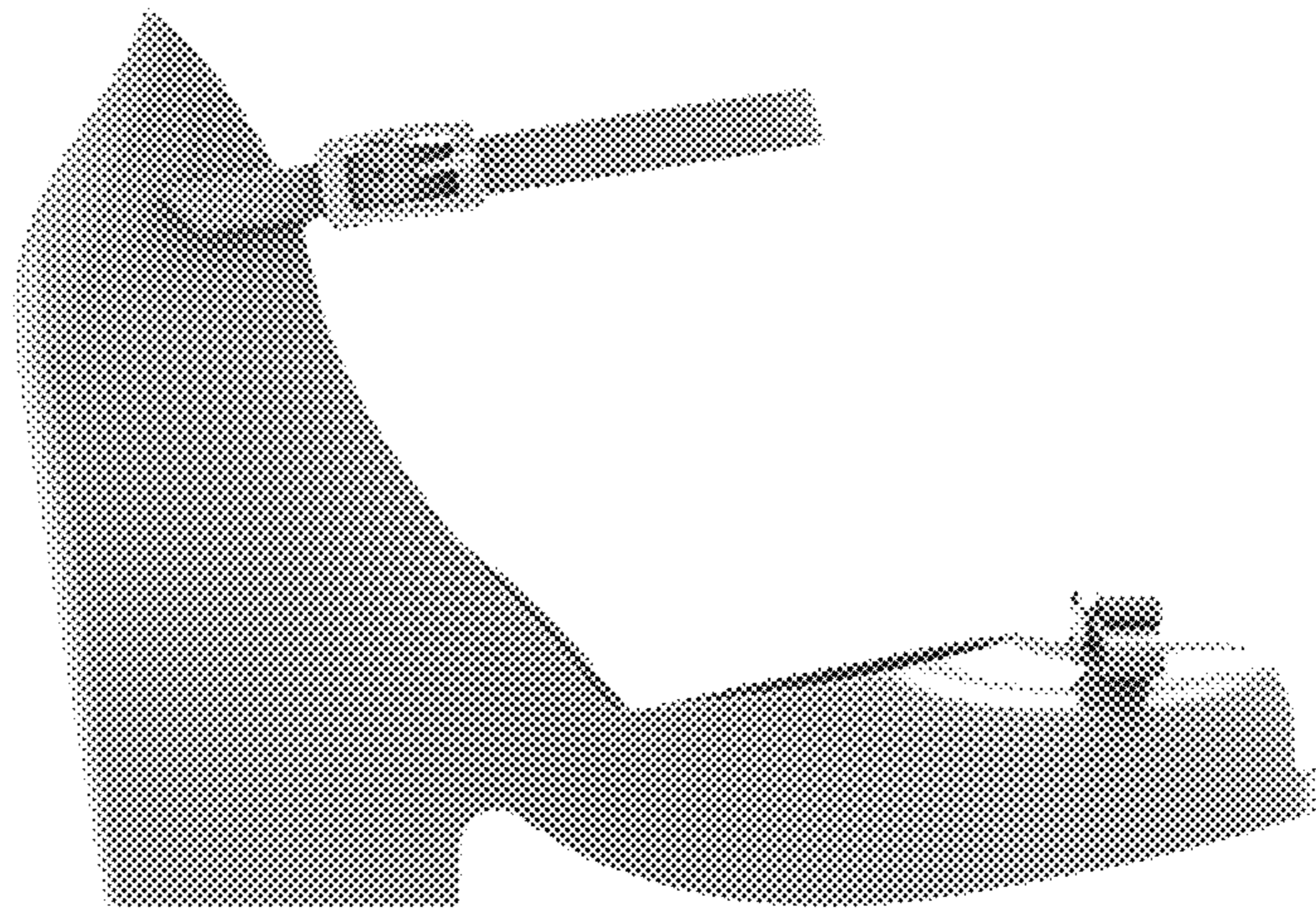


FIG. 3

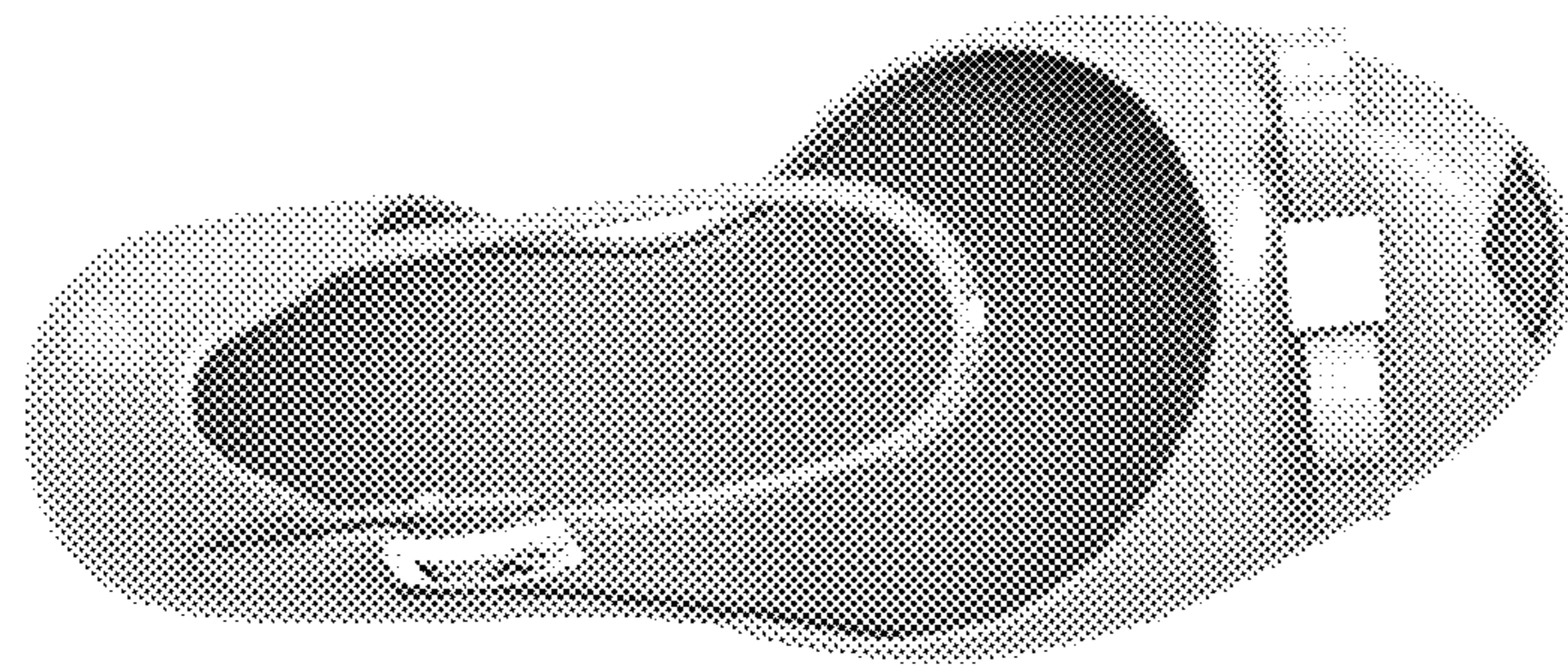


FIG. 4

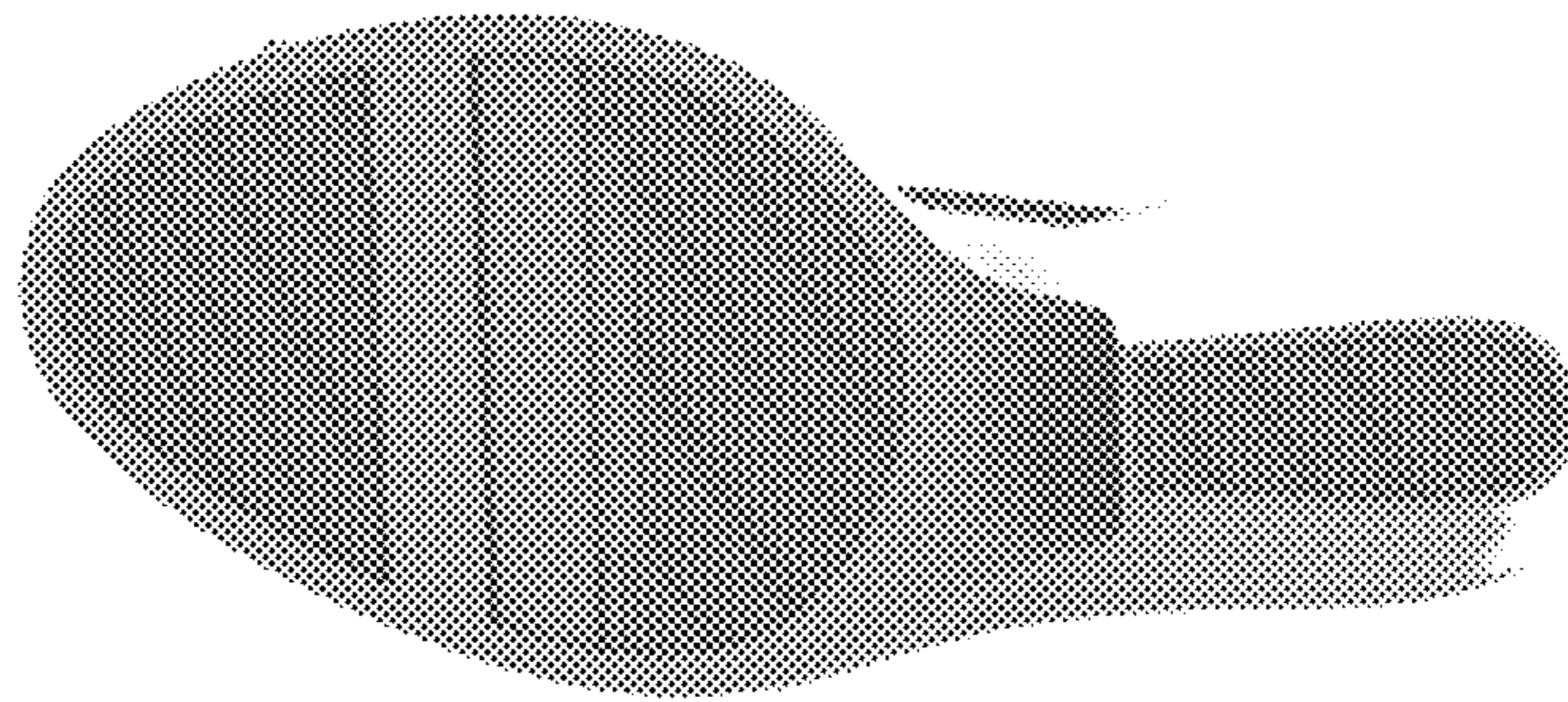


FIG. 5

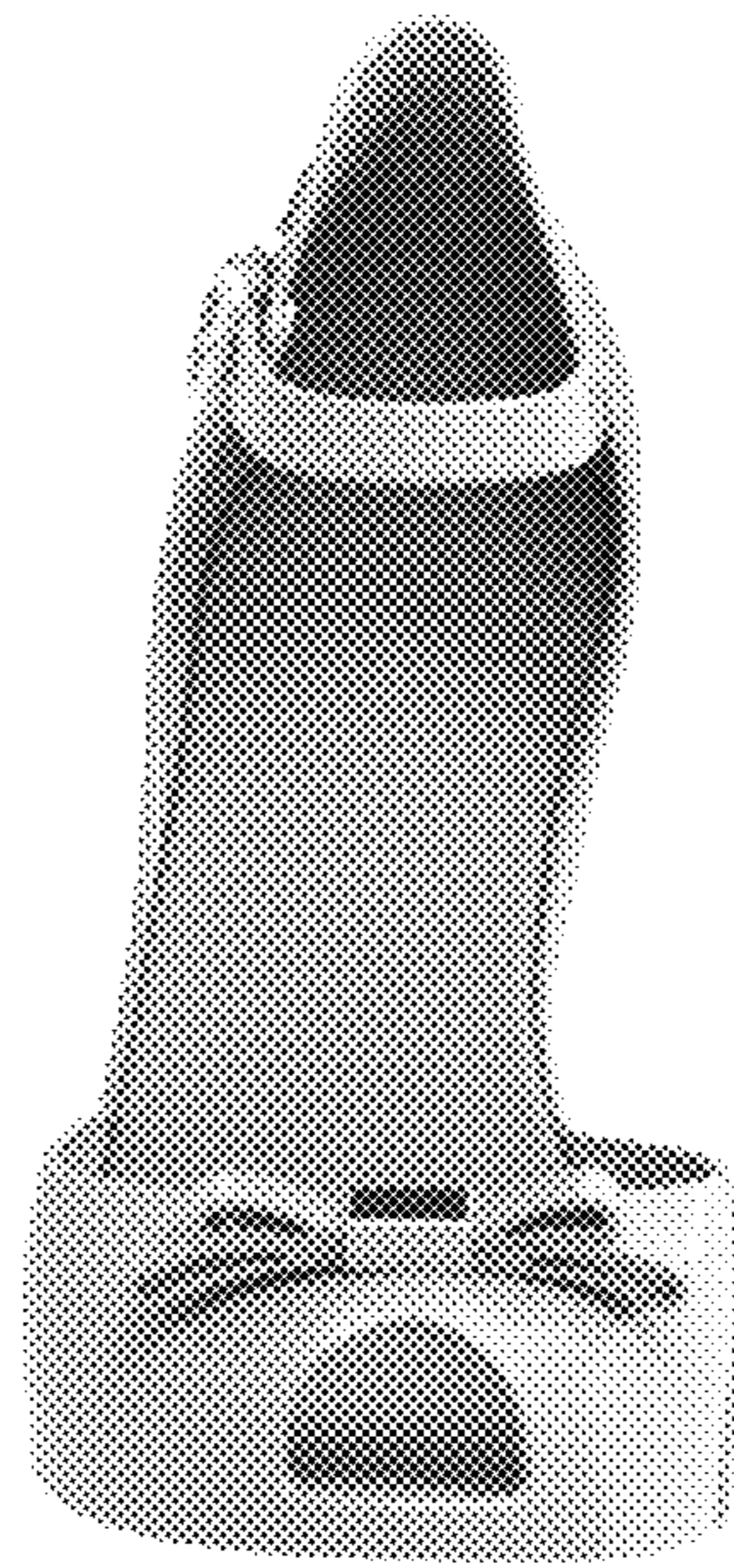


FIG. 6

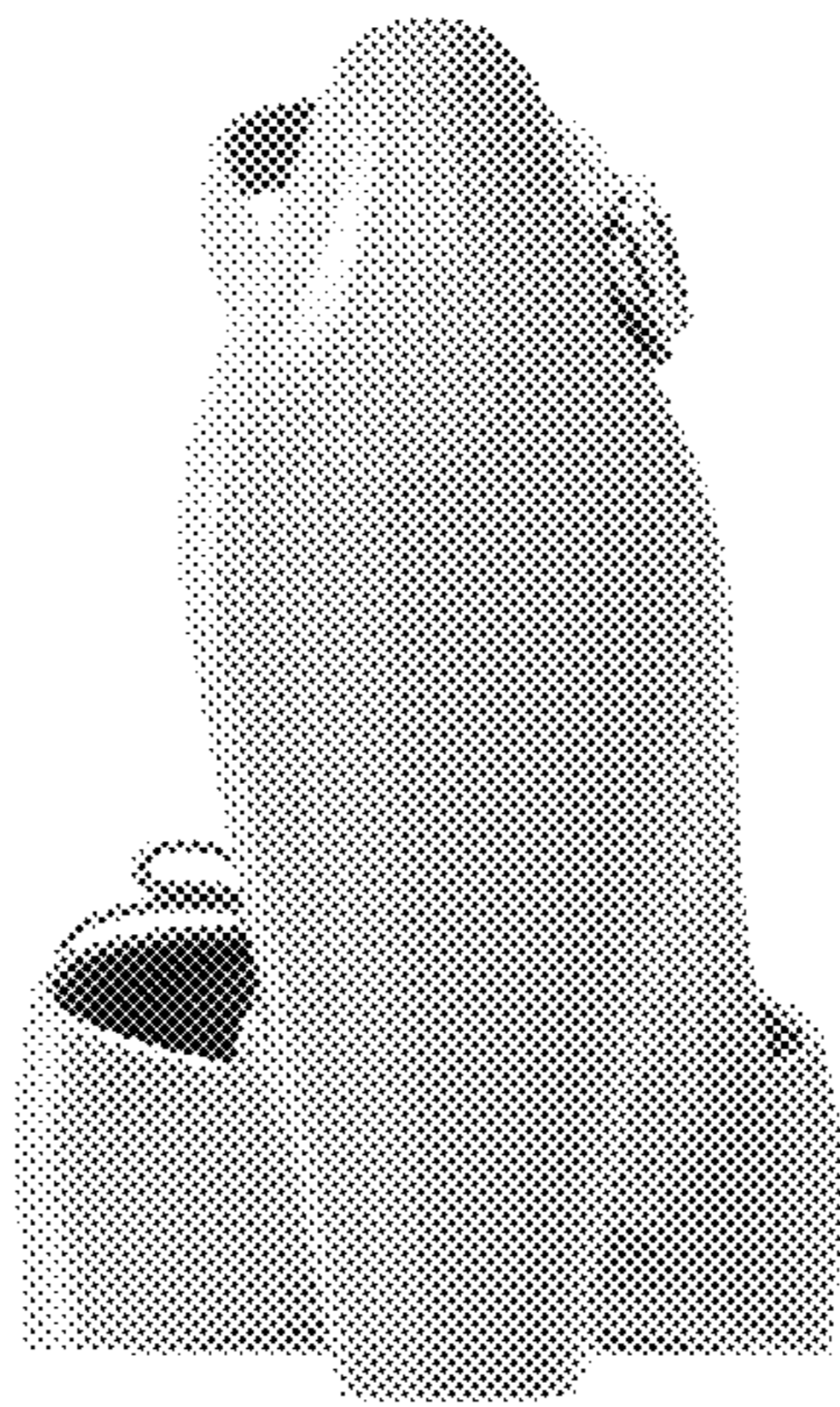


FIG. 7





FIG. 8

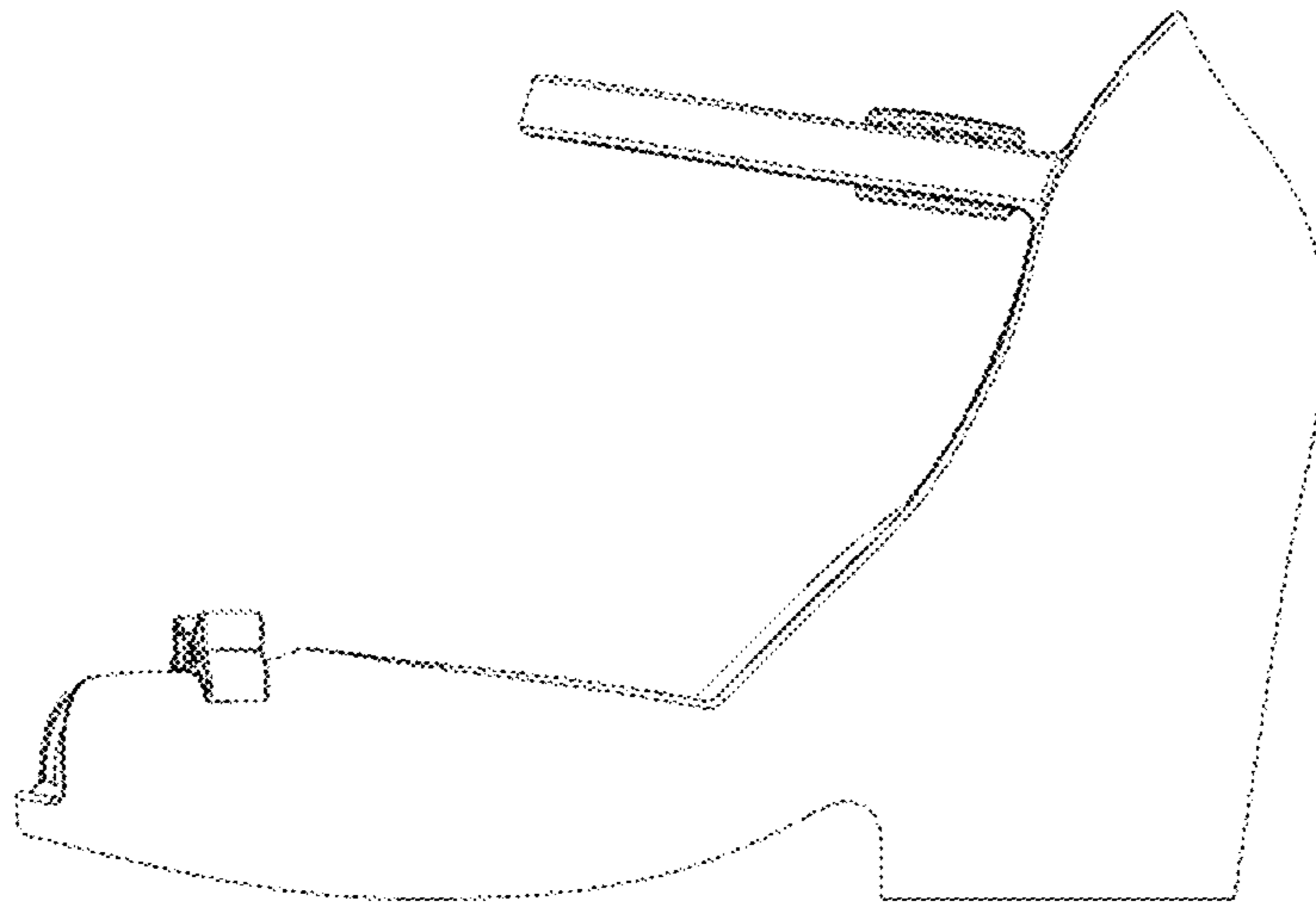


FIG. 9

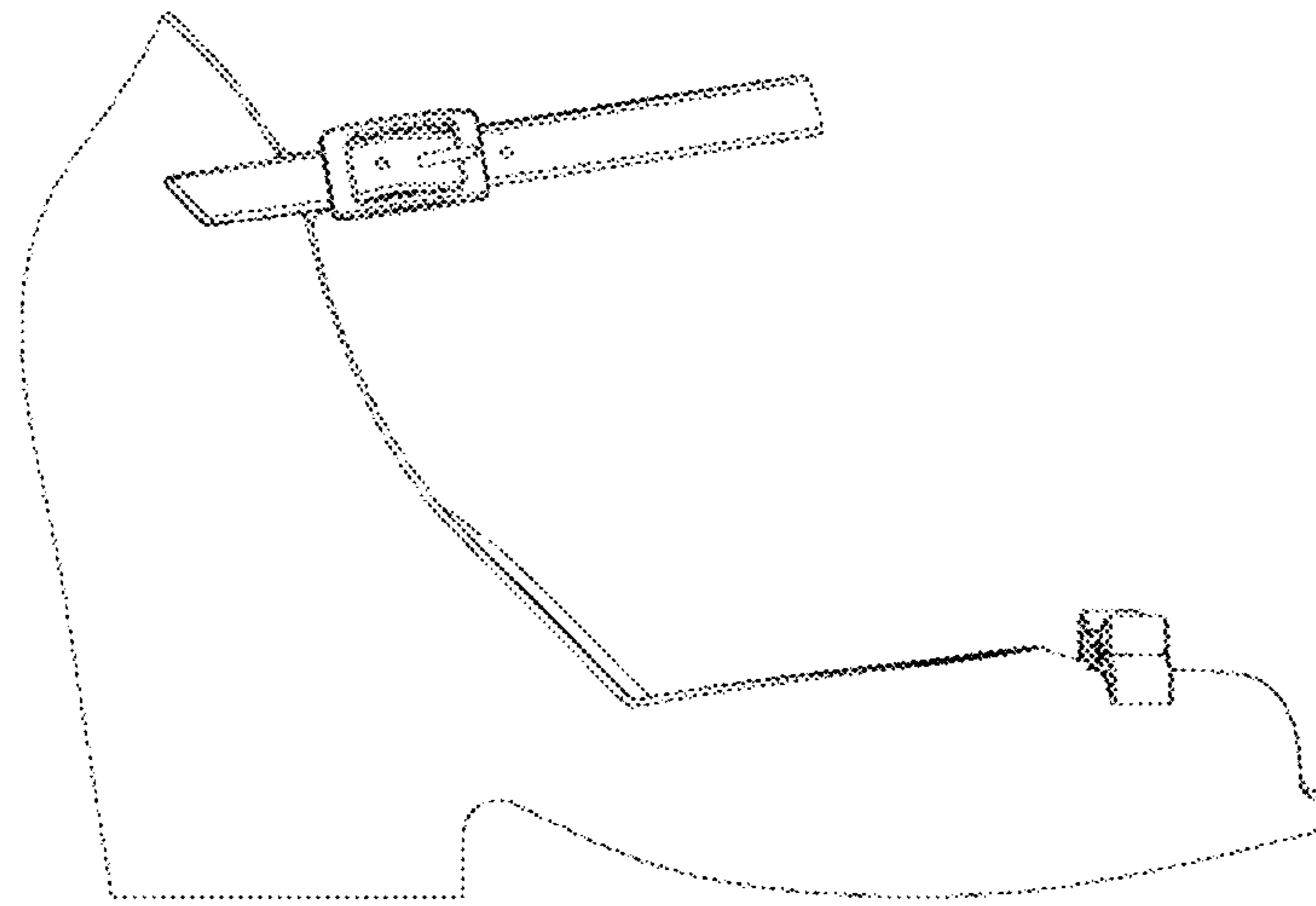


FIG. 10

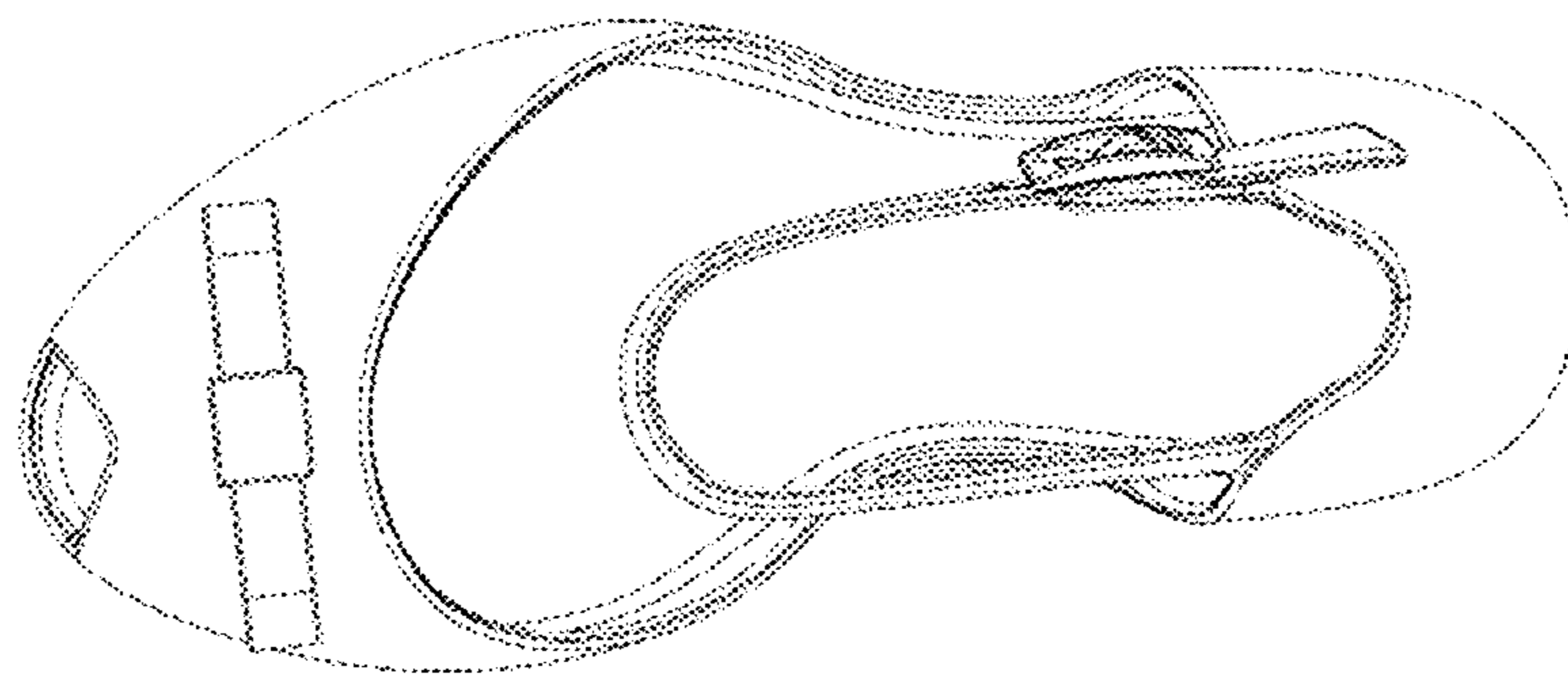


FIG. 11

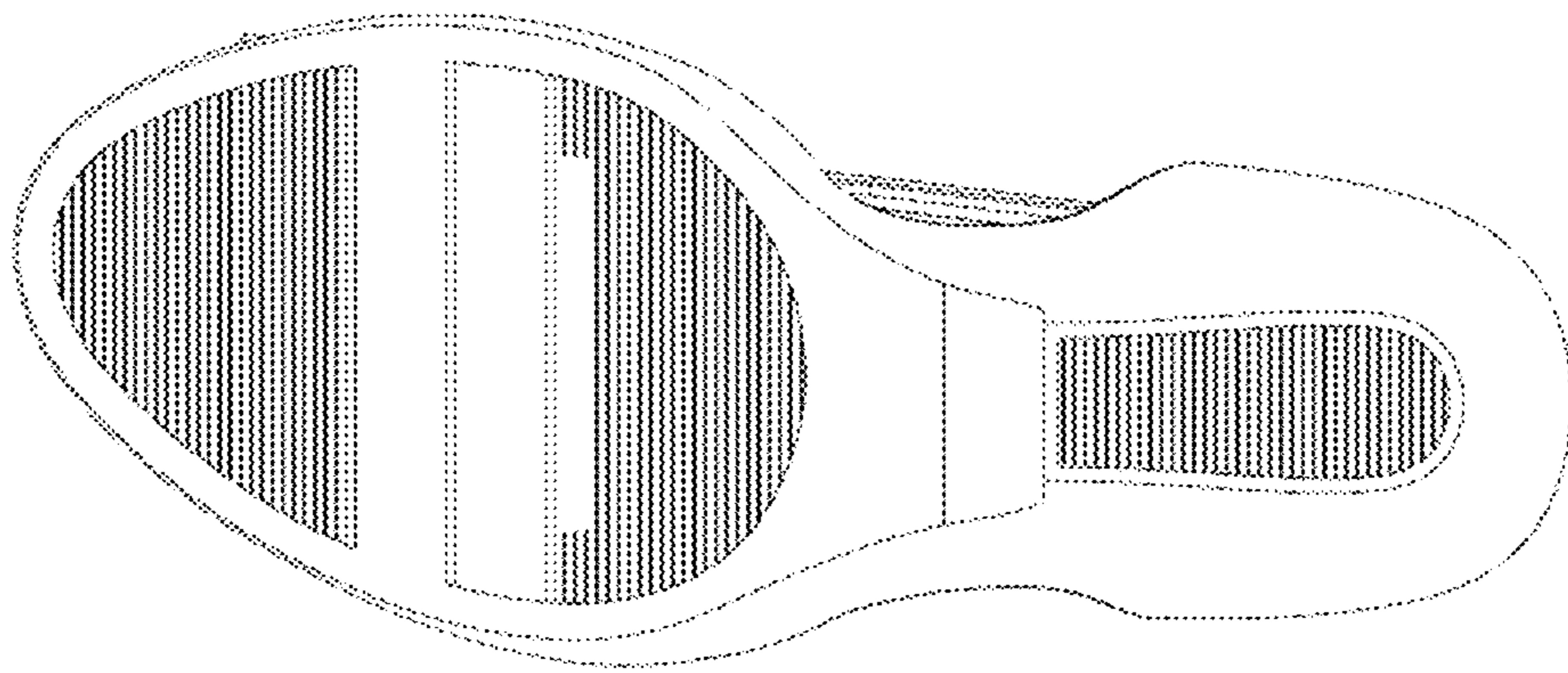


FIG. 12

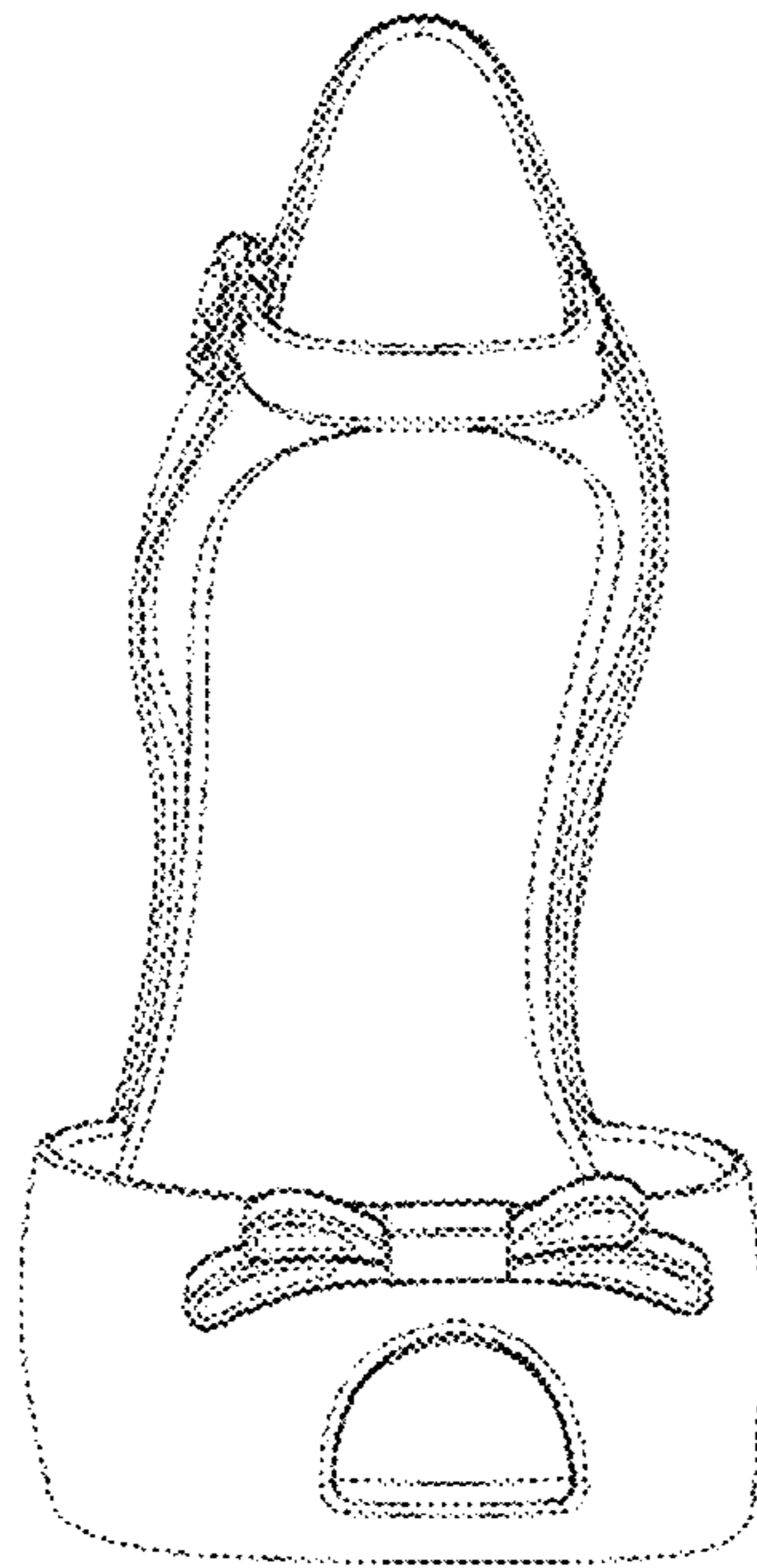


FIG. 13

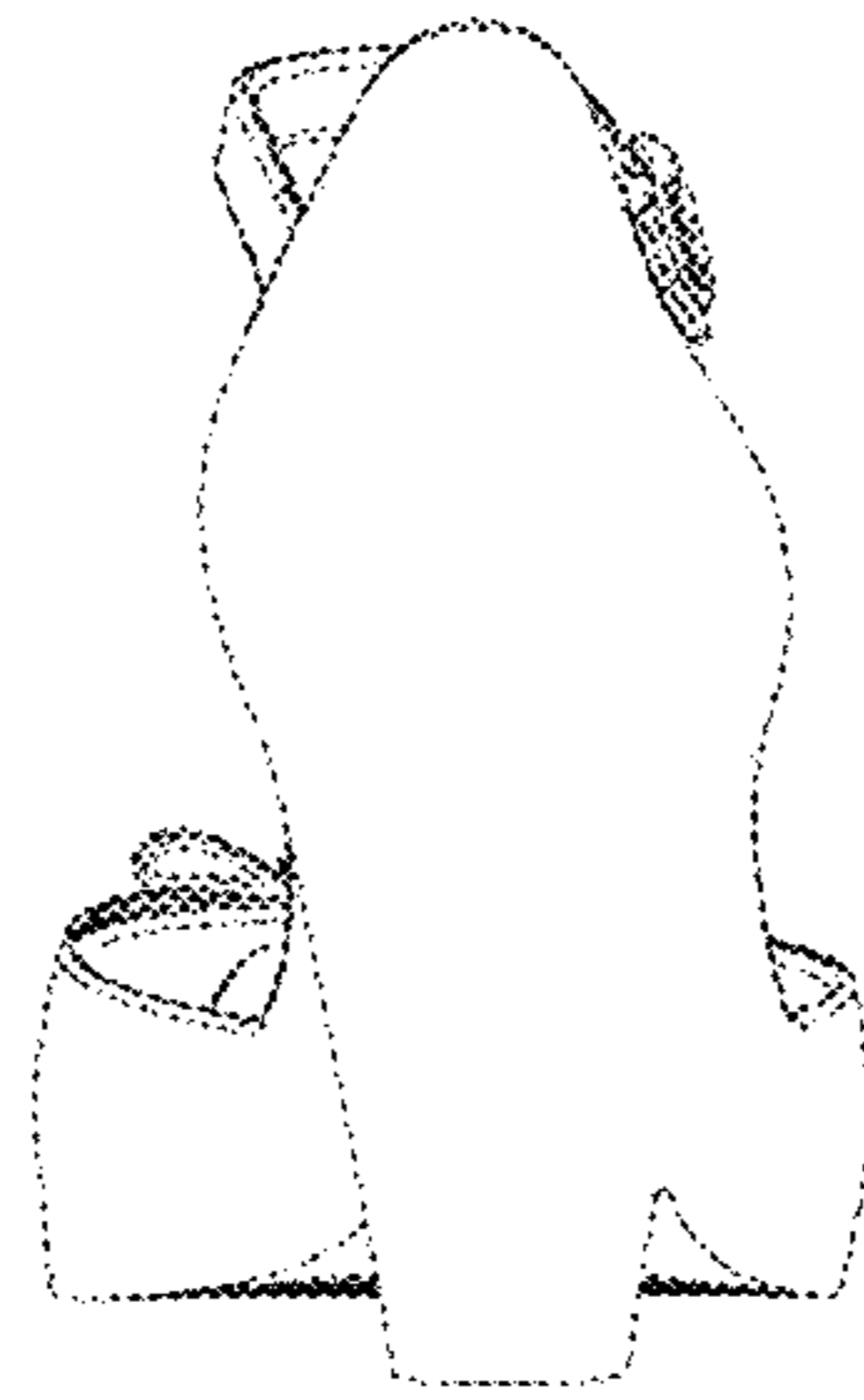


FIG. 14