



US00D797410S

(12) **United States Design Patent** (10) **Patent No.:** **US D797,410 S**
Lomax (45) **Date of Patent:** **** Sep. 19, 2017**

- (54) **GARMENT**
- (71) Applicant: **NIKE, Inc.**, Beaverton, OR (US)
- (72) Inventor: **Jessica Lomax**, Beaverton, OR (US)
- (73) Assignee: **NIKE, Inc.**, Beaverton, OR (US)
- (**) Term: **15 Years**
- (21) Appl. No.: **29/564,875**
- (22) Filed: **May 16, 2016**
- (51) **LOC (10) Cl.** **02-02**
- (52) **U.S. Cl.**
USPC **D2/857; D2/728; D2/731**
- (58) **Field of Classification Search**
USPC D2/716, 731, 738, 771, 786, 791, 812,
D2/820, 839, 847, 857, 863
CPC A41D 1/08; A41D 1/06; A41D 2600/104
See application file for complete search history.

(56) **References Cited**

U.S. PATENT DOCUMENTS

1,885,527	A *	11/1932	Luft	A41D 17/00
					2/227
2,087,123	A *	7/1937	Serak	A41D 27/20
					2/253
D417,333	S *	12/1999	Re	D2/700
D482,513	S *	11/2003	Armani	D2/742
D513,660	S *	1/2006	Greene	D2/742
D593,283	S *	6/2009	Lorenzi	D2/857
D597,281	S *	8/2009	Young	D2/738
D630,415	S *	1/2011	Nunn	D2/742
D639,026	S *	6/2011	Robinson	D2/857
D651,379	S *	1/2012	Halpern	D2/742
D702,921	S *	4/2014	Holmes	D2/742
D739,643	S *	9/2015	Borovicka	D2/738
D746,544	S *	1/2016	Curran	D2/738
D746,553	S *	1/2016	Emrich	D2/857
D754,945	S *	5/2016	Borovicka	D2/731
D770,132	S *	11/2016	Burke	D2/731
D770,133	S *	11/2016	Burke	D2/731

(Continued)

Primary Examiner — Robin V Webster
Assistant Examiner — James Thorn, Sr.
(74) *Attorney, Agent, or Firm* — Shook, Hardy & Bacon, L.L.P.

(57) **CLAIM**

The ornamental design for a garment, as shown and described.

DESCRIPTION

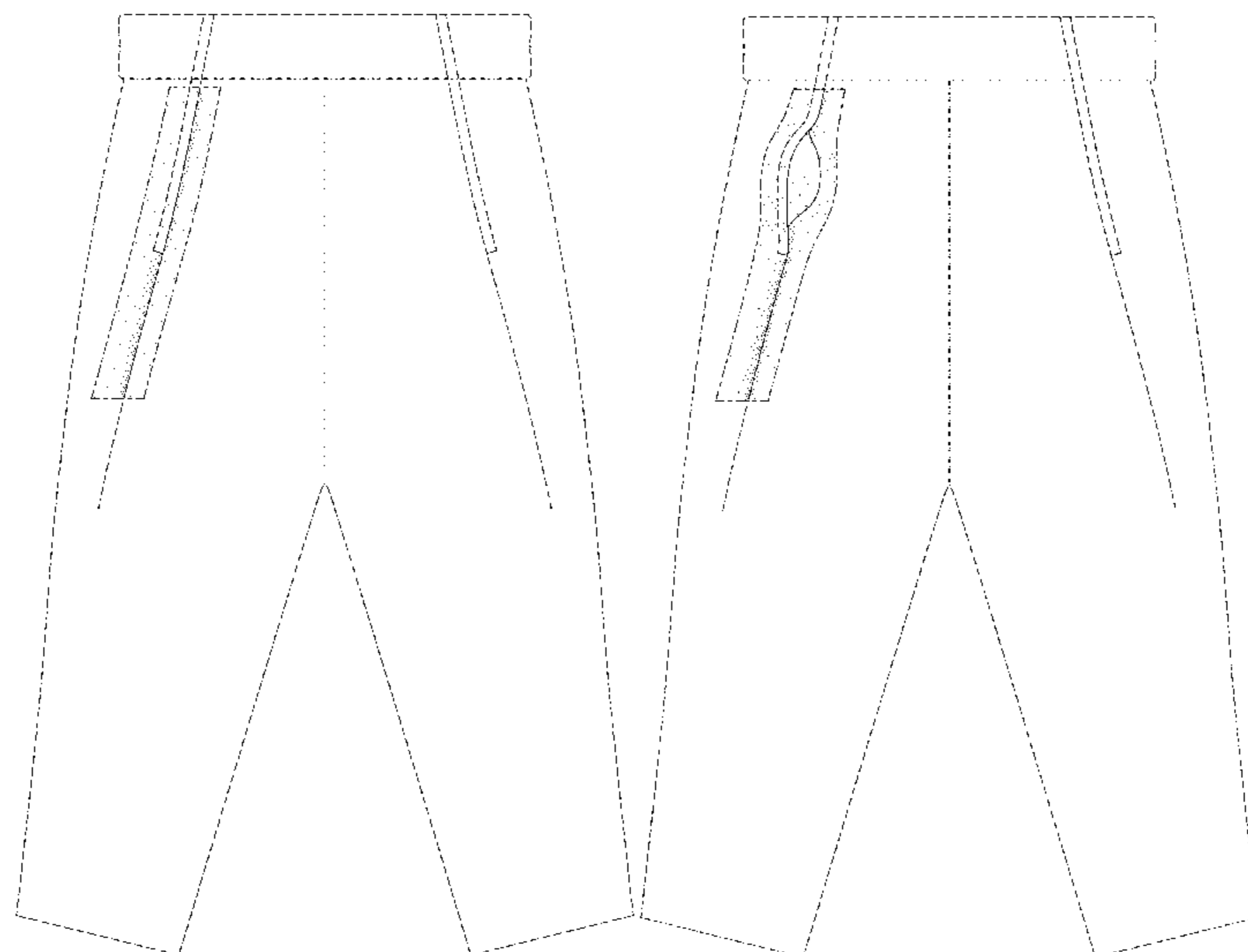
FIG. 1 is a front view of a garment in a laid-flat configuration;
FIG. 2 is a front view of the garment of FIG. 1, in a second configuration in which the pocket is revealed;
FIG. 3 is a magnified view of a portion of the claimed area depicted in FIG. 1;
FIG. 4 is a magnified view of a portion of the claimed area depicted in FIG. 2;
FIG. 5 is a cross-sectional view taken at cut line 5-5 of FIG. 3; and,
FIG. 6 is a front view of a second garment, showing the design of FIG. 1.

The evenly spaced broken lines shown in the drawings are directed to environment, are for informational purposes only, and form no part of the claimed design.

The long and short broken lines are boundary lines, which define bounds of the claimed design. These boundaries do not exist in reality in the article embodying the design. It is understood that the claimed design extends to these boundaries but does not include the boundaries.

The surface shading on the claimed portion is provided only to indicate the character and/or any contour or curvature of the surfaces. It does not indicate color, texture, markings that actually exist thereon, indicia, graphic representations, surface treatment, or any other ornamentation applied to the article.

1 Claim, 4 Drawing Sheets



(56)

References Cited

U.S. PATENT DOCUMENTS

D778,536 S * 2/2017 Adrovic D2/731
2009/0178174 A1* 7/2009 Cash, Jr. A41D 1/08
2/69
2017/0027252 A1* 2/2017 Inzer A41D 15/00

* cited by examiner

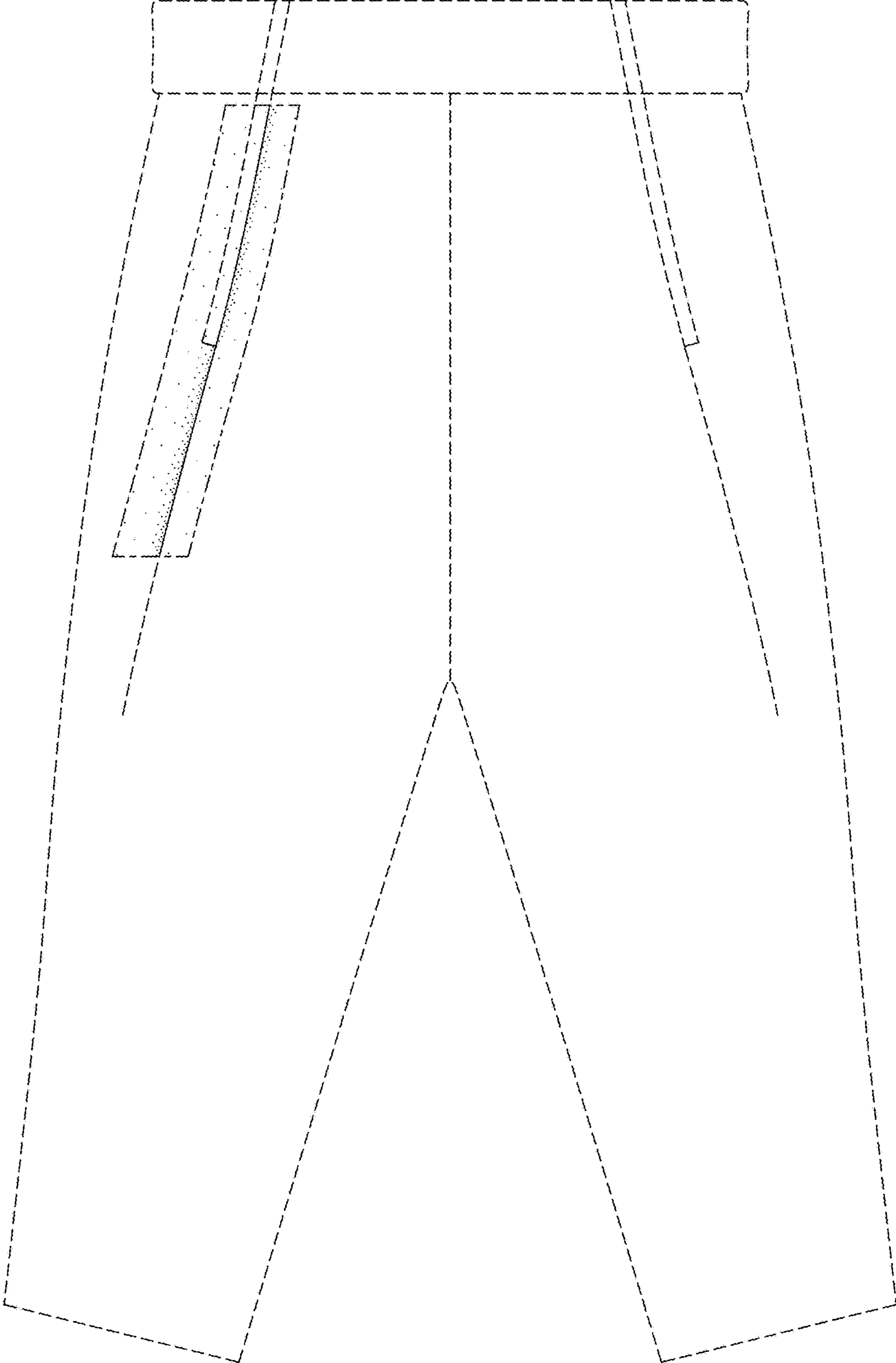


FIG. 1

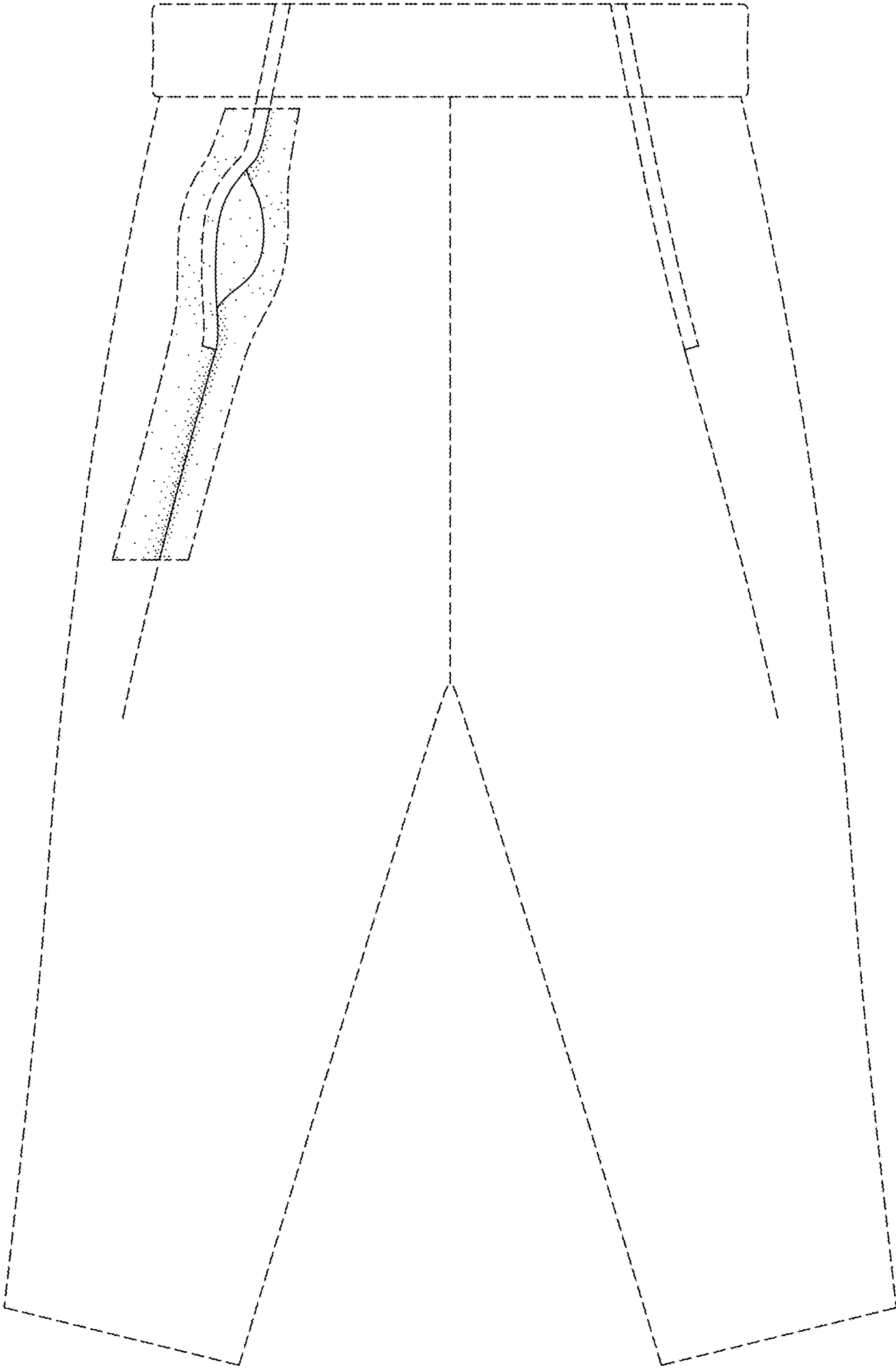


FIG. 2

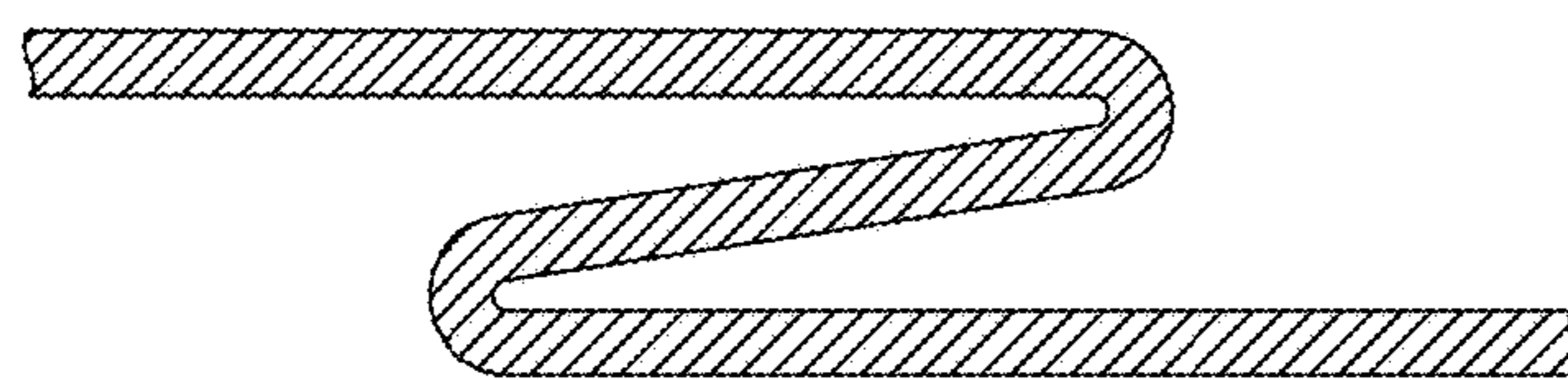
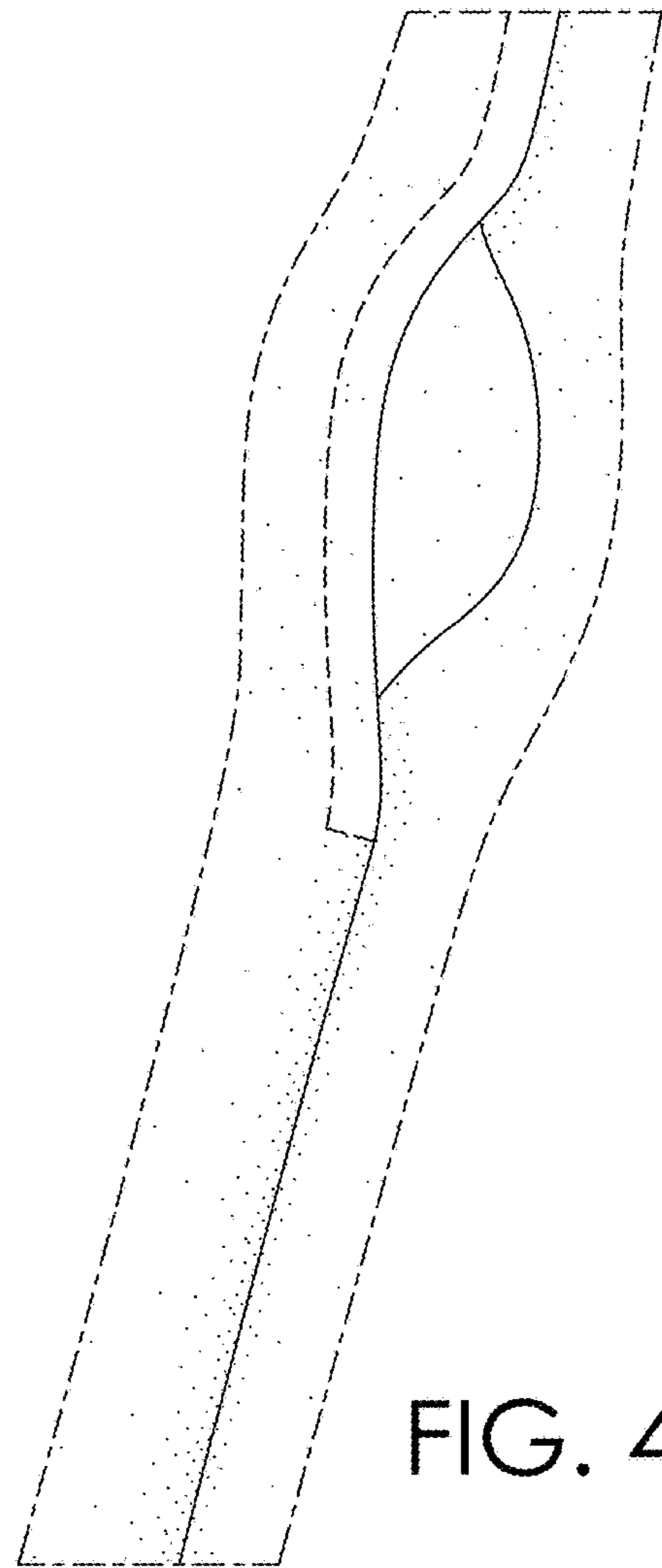
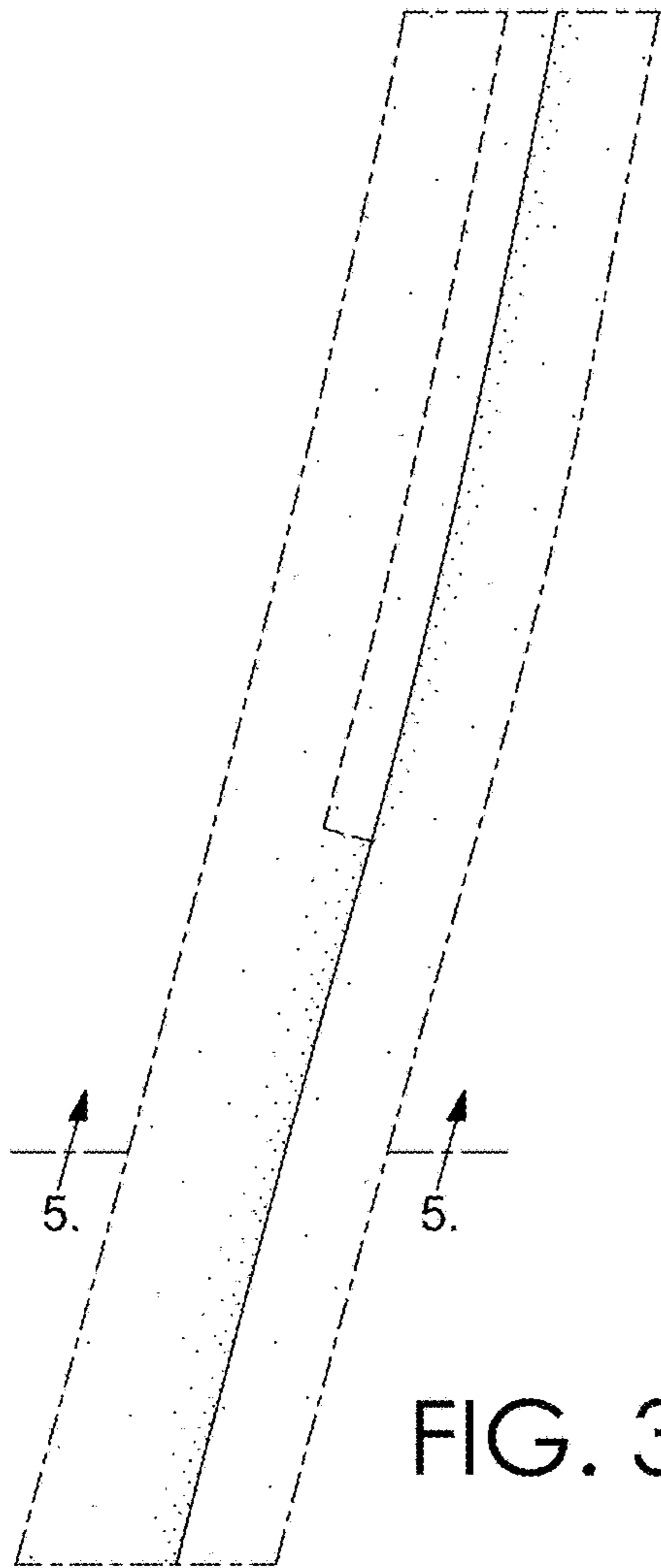


FIG. 5

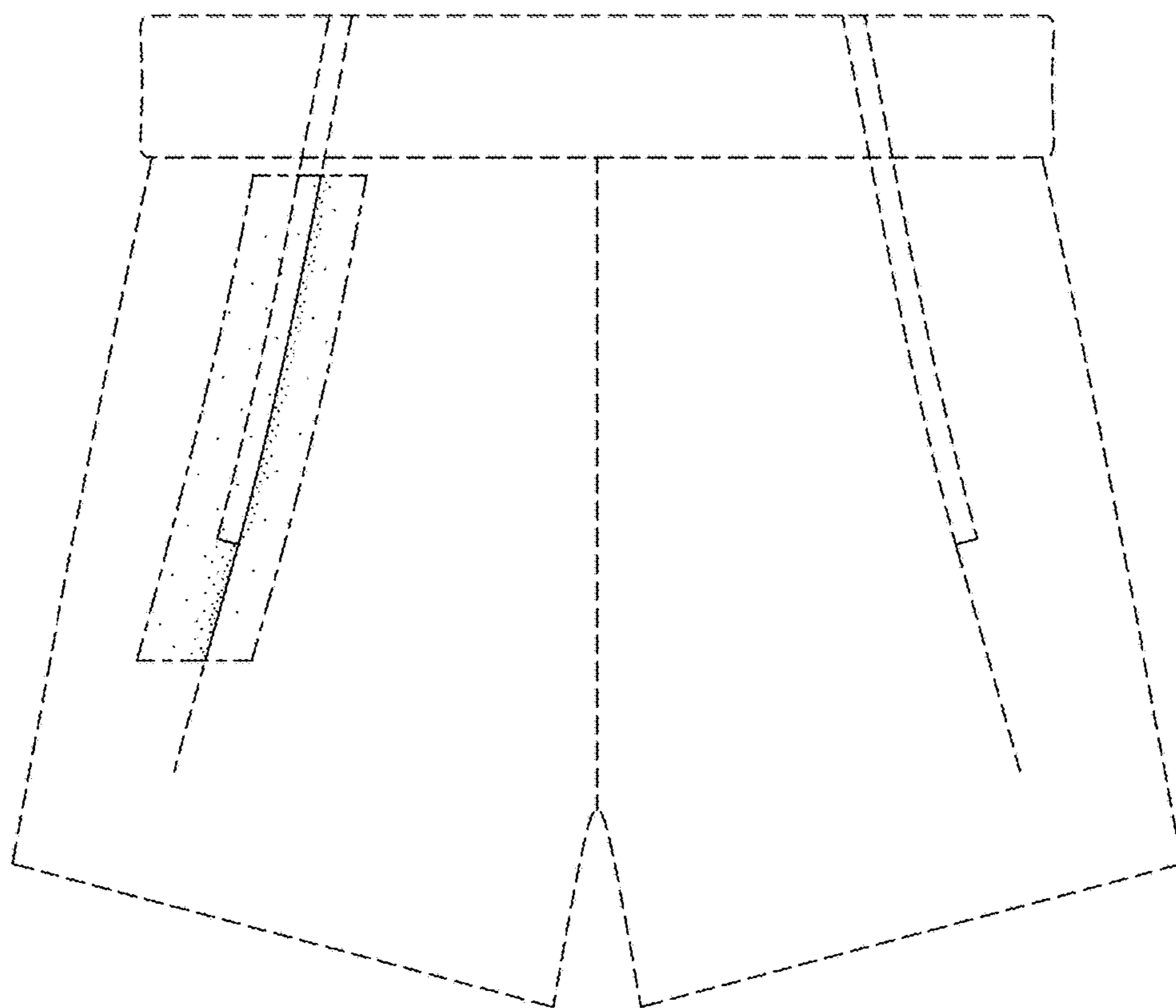


FIG. 6

UNITED STATES PATENT AND TRADEMARK OFFICE
CERTIFICATE OF CORRECTION

PATENT NO. : D797,410 S
APPLICATION NO. : 29/564875
DATED : September 19, 2017
INVENTOR(S) : Jessica Lomax

Page 1 of 1

It is certified that error appears in the above-identified patent and that said Letters Patent is hereby corrected as shown below:

On the Title Page

In the Description:

Line 10: "3; and," should read --3; and--

Signed and Sealed this
Seventh Day of November, 2017



Joseph Matal

*Performing the Functions and Duties of the
Under Secretary of Commerce for Intellectual Property and
Director of the United States Patent and Trademark Office*