

US00D797402S

(12) **United States Design Patent** (10) **Patent No.:** **US D797,402 S**  
**Lomax** (45) **Date of Patent:** **\*\* Sep. 19, 2017**

(54) **GARMENT**

(71) Applicant: **NIKE, Inc.**, Beaverton, OR (US)

(72) Inventor: **Jessica Lomax**, Beaverton, OR (US)

(73) Assignee: **NIKE, Inc.**, Beaverton, OR (US)

(\*\*) Term: **15 Years**

(21) Appl. No.: **29/564,877**

(22) Filed: **May 16, 2016**

(51) **LOC (10) Cl.** ..... **02-01**

(52) **U.S. Cl.**  
USPC ..... **D2/728**

(58) **Field of Classification Search**  
USPC ..... D2/716, 731, 738, 771, 786, 791, 812,  
D2/820, 839, 847, 857, 863  
CPC ..... A41D 1/08; A41D 1/06; A41D 2600/104  
See application file for complete search history.

(56) **References Cited**

**U.S. PATENT DOCUMENTS**

1,885,527	A *	11/1932	Luft	.....	A41D 17/00 2/227
2,087,123	A *	7/1937	Serak	.....	A41D 27/20 2/253
D417,333	S *	12/1999	Re	.....	D2/700
D482,513	S *	11/2003	Armani	.....	D2/742
D513,660	S *	1/2006	Greene	.....	D2/742
D593,283	S *	6/2009	Lorenzi	.....	D2/857
D597,281	S *	8/2009	Young	.....	D2/738
D630,415	S *	1/2011	Nunn	.....	D2/742
D639,026	S *	6/2011	Robinson	.....	D2/857
D651,379	S *	1/2012	Halpern	.....	D2/742
D702,921	S *	4/2014	Holmes	.....	D2/742
D739,643	S *	9/2015	Borovicka	.....	D2/738
D746,544	S *	1/2016	Curran	.....	D2/738

(Continued)

*Primary Examiner* — Robin V Webster  
*Assistant Examiner* — James Thorn, Sr.

(74) *Attorney, Agent, or Firm* — Shook, Hardy & Bacon L.L.P.

(57) **CLAIM**

The ornamental design for a garment, as shown and described.

**DESCRIPTION**

FIG. 1 is a front, left perspective view of a garment showing a first embodiment of the present design in a first in-use configuration;

FIG. 2 is a front view thereof;

FIG. 3 is a back view thereof;

FIG. 4 is a left-side view thereof;

FIG. 5 is a right-side view thereof;

FIG. 6 is a top-down view thereof;

FIG. 7 is a bottom-up view thereof;

FIG. 8 is a magnified view of a portion of the claimed region depicted in FIG. 8;

FIG. 9 is the magnified view of FIG. 8 showing the first embodiment of the present design in a second in-use configuration in which a pocket is revealed; and,

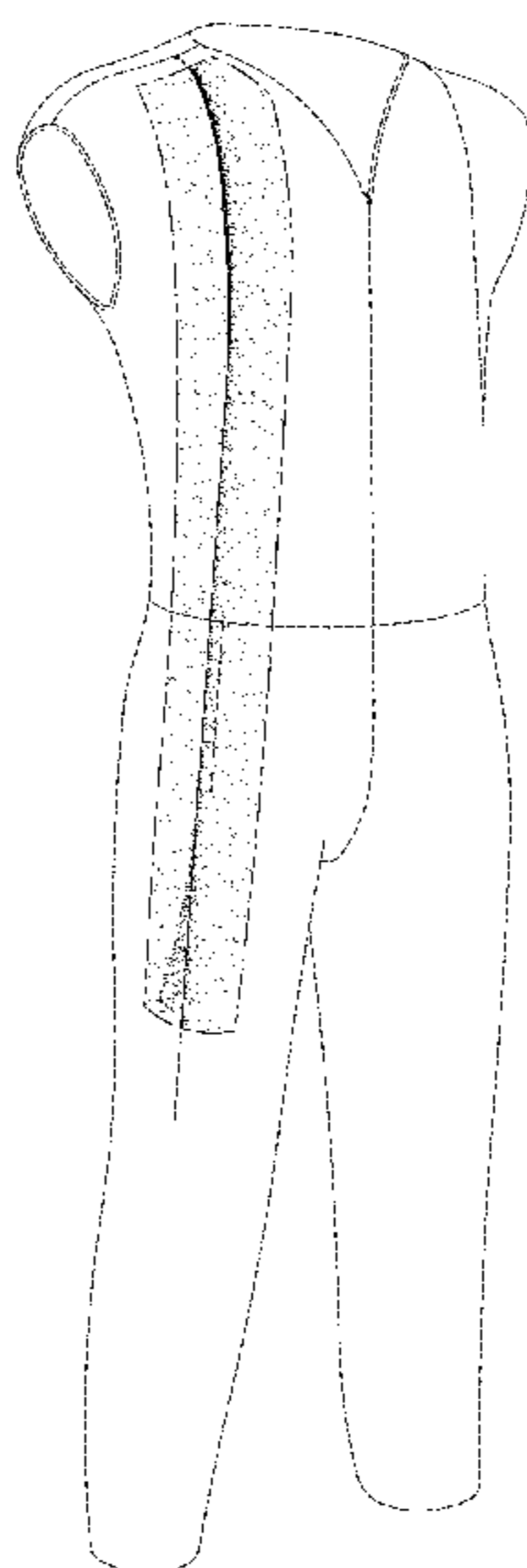
FIG. 10 is a cross-sectional view taken at cut line 10-10 of FIG. 8 according to the present design.

The evenly spaced broken lines shown in the drawings are directed to environment, are for informational purposes only, and form no part of the claimed design.

The long and short broken lines are boundary lines, which define bounds of the claimed design. These boundaries do not exist in reality in the article embodying the design. It is understood that the claimed design extends to these boundaries but does not include the boundaries.

The surface shading on the claimed portion is provided only to indicate the character and/or any contour or curvature of the surfaces. It does not indicate color, texture, markings that actually exist thereon, indicia, graphic representations, surface treatment, or any other ornamentation applied to the article.

**1 Claim, 5 Drawing Sheets**



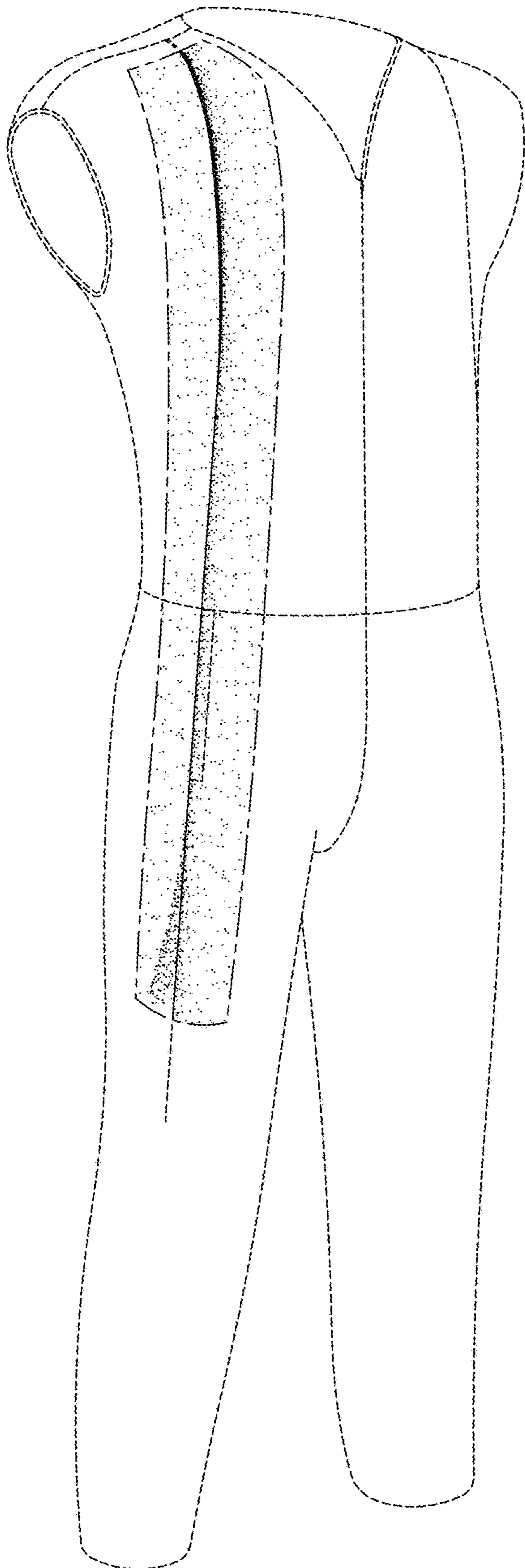
(56)

**References Cited**

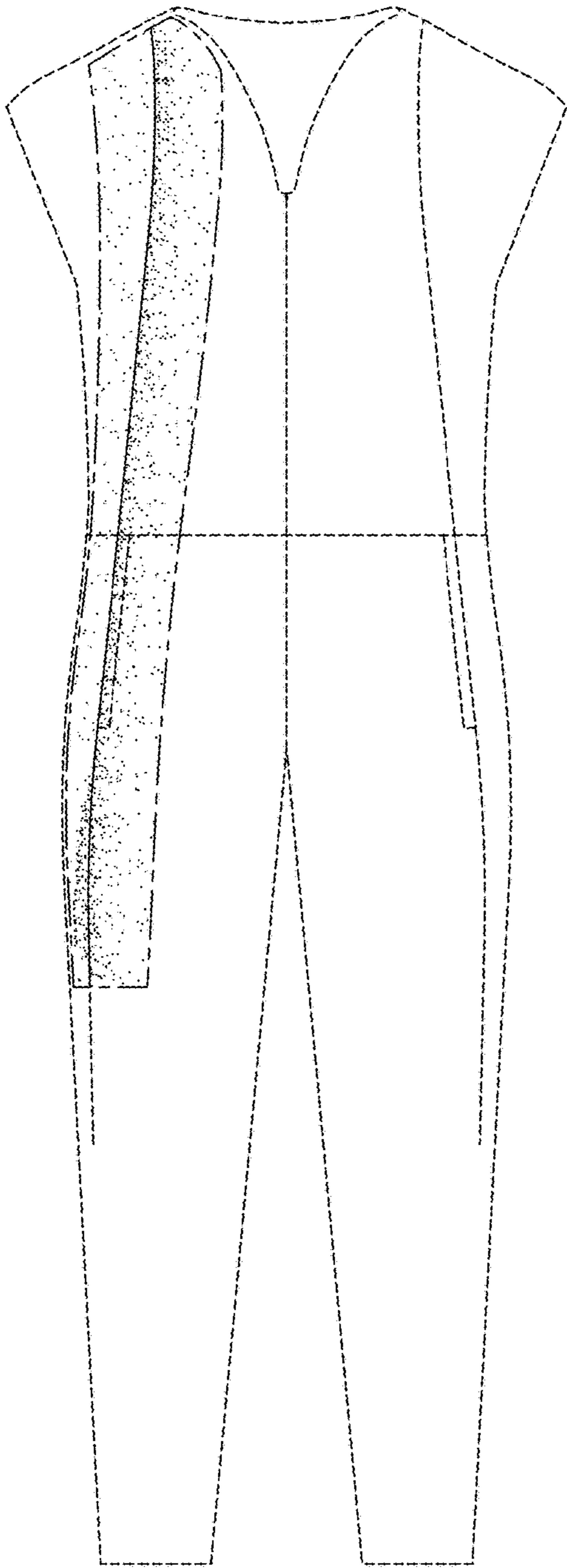
U.S. PATENT DOCUMENTS

D746,553	S *	1/2016	Emrich .....	D2/857
D754,945	S *	5/2016	Borovicka .....	D2/731
D770,132	S *	11/2016	Burke .....	D2/731
D770,133	S *	11/2016	Burke .....	D2/731
D778,536	S *	2/2017	Adrovic .....	D2/731
2009/0178174	A1 *	7/2009	Cash, Jr. ....	A41D 1/08 2/69
2017/0027252	A1 *	2/2017	Inzer .....	A41D 15/00

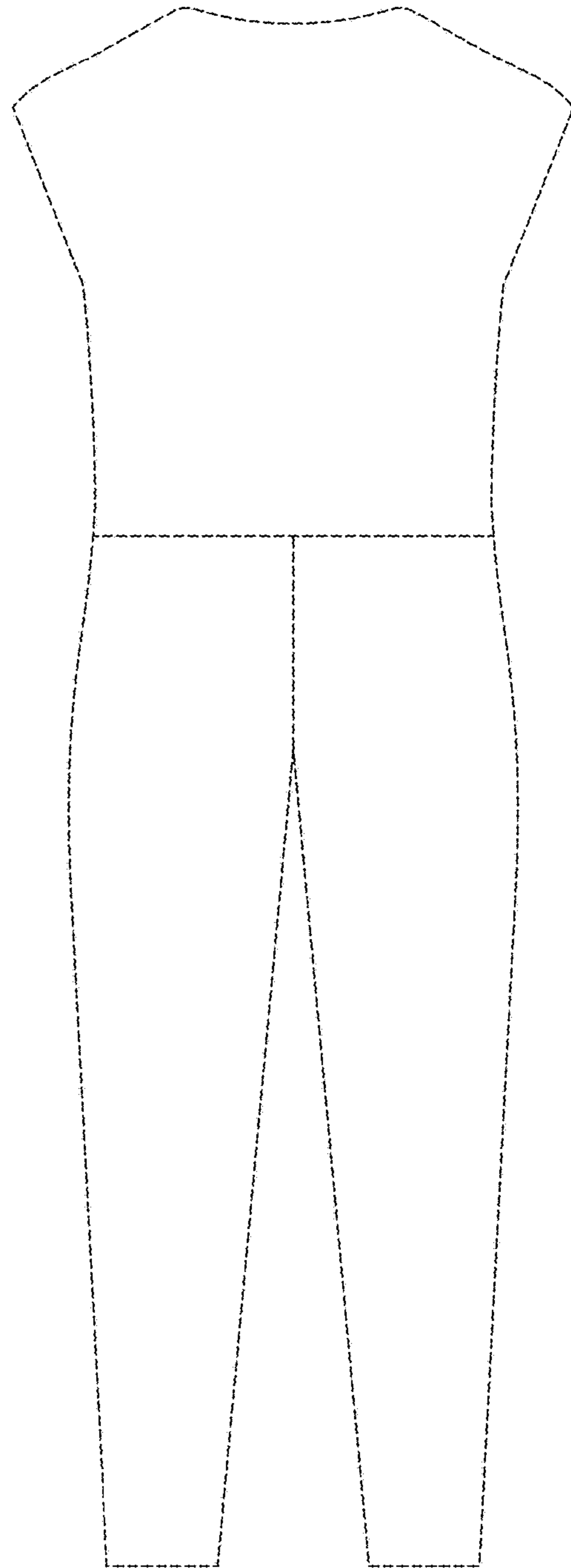
\* cited by examiner



**FIG. 1.**



*FIG. 2.*



*FIG. 3.*

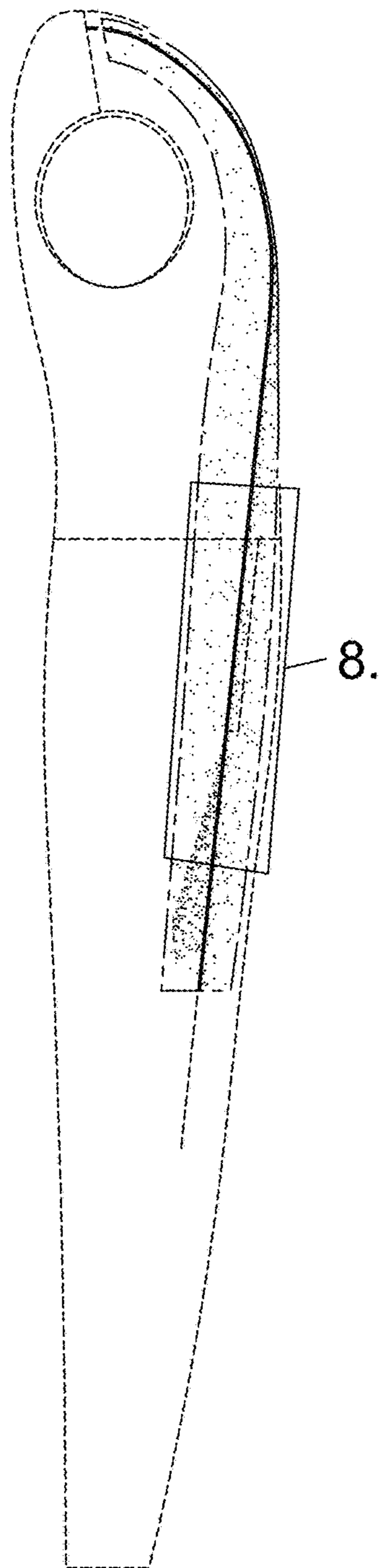


FIG. 4.

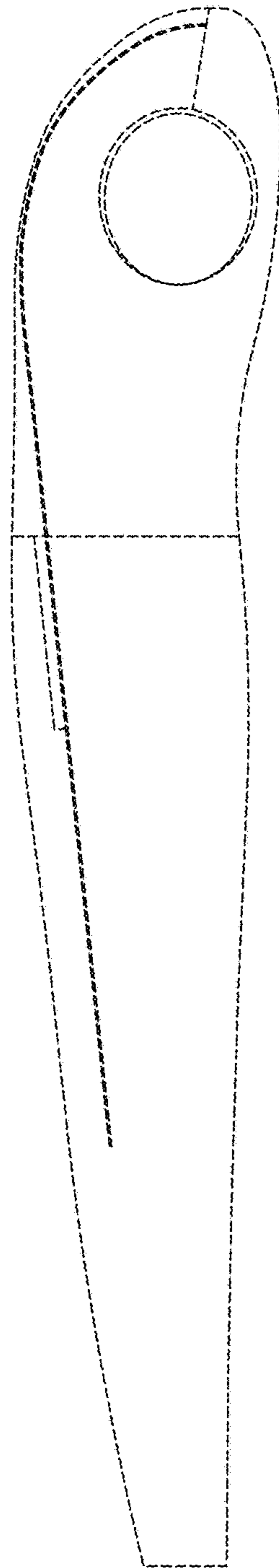
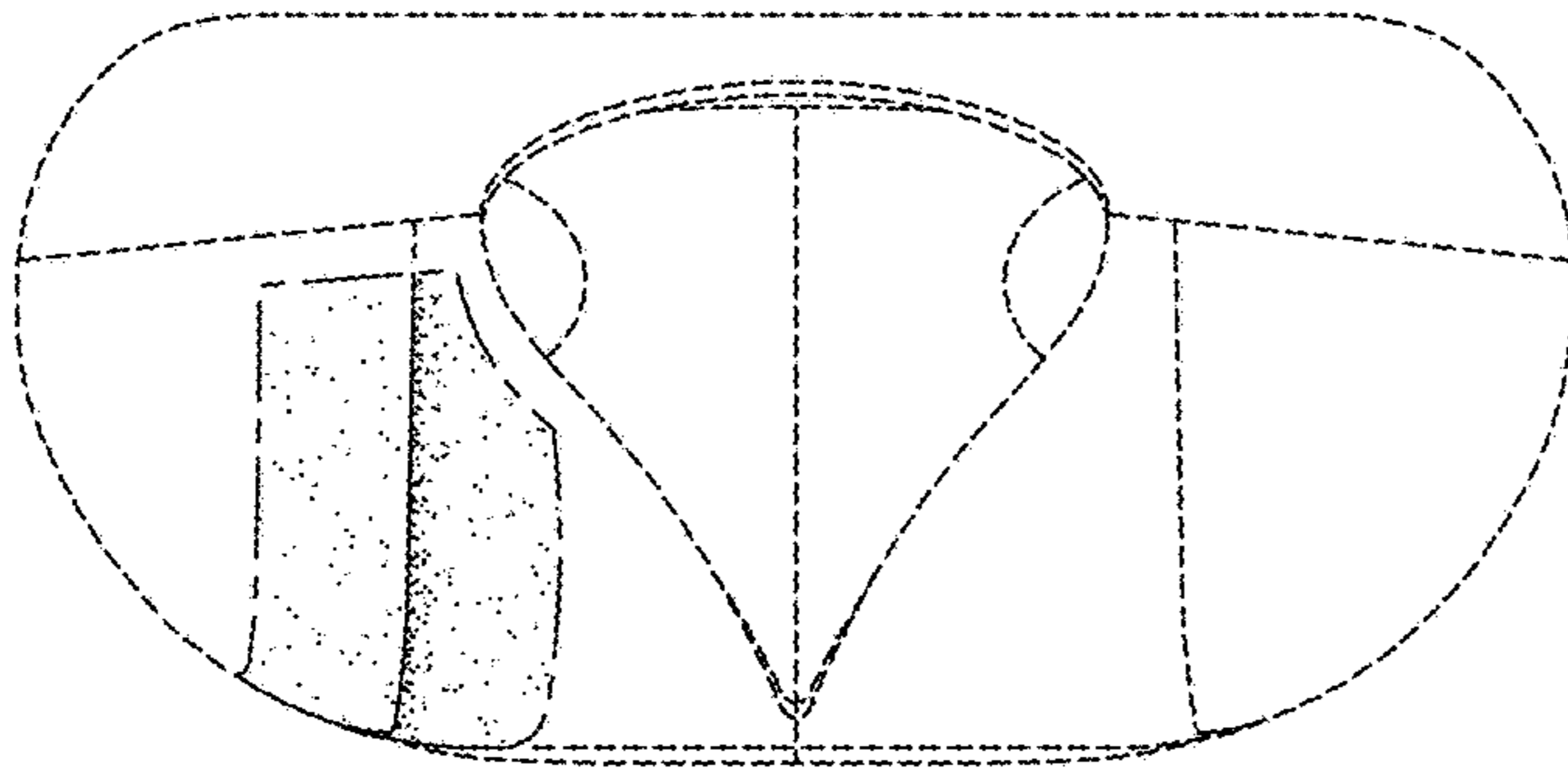
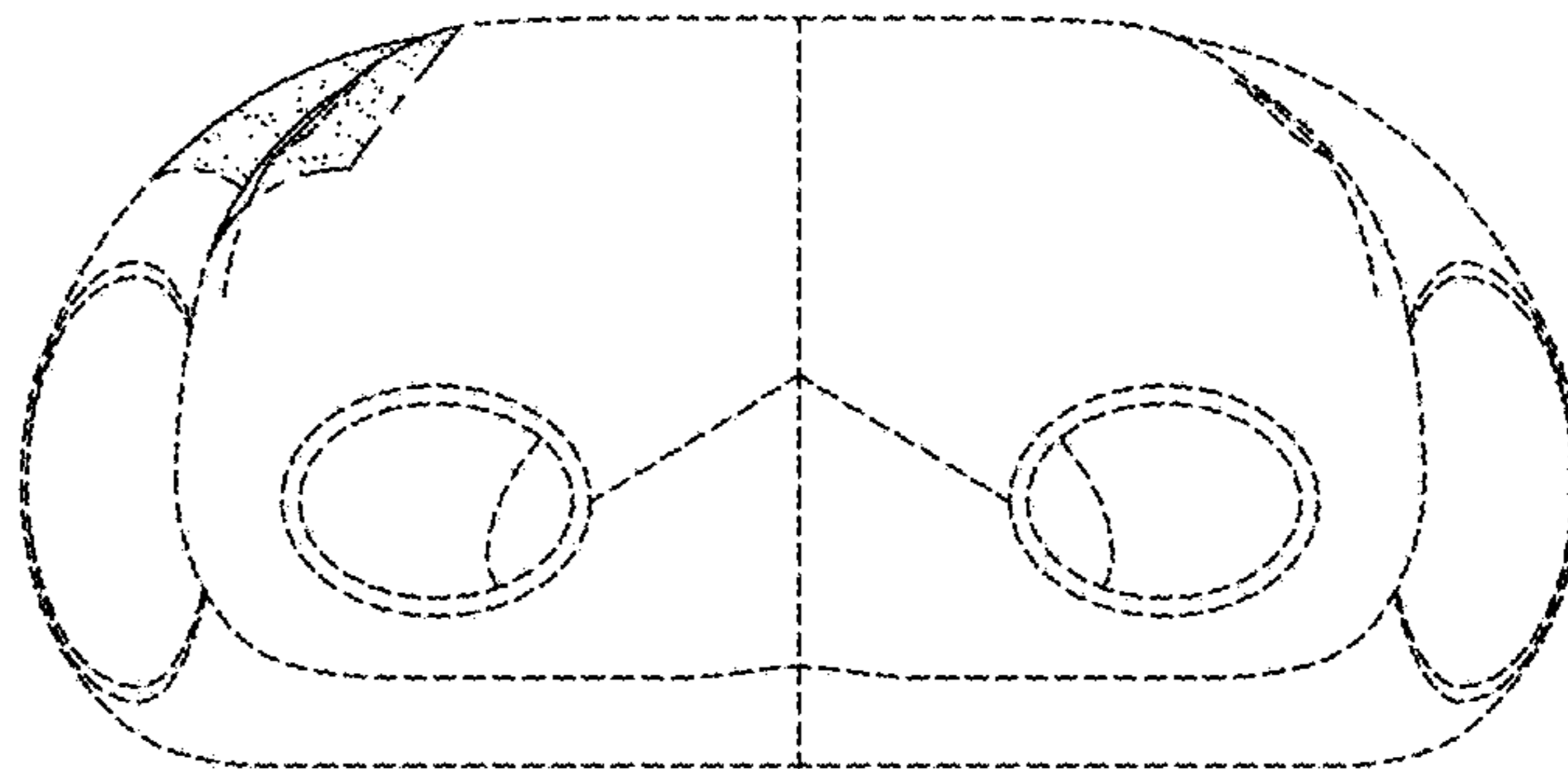


FIG. 5.





*FIG. 6.*



*FIG. 7.*

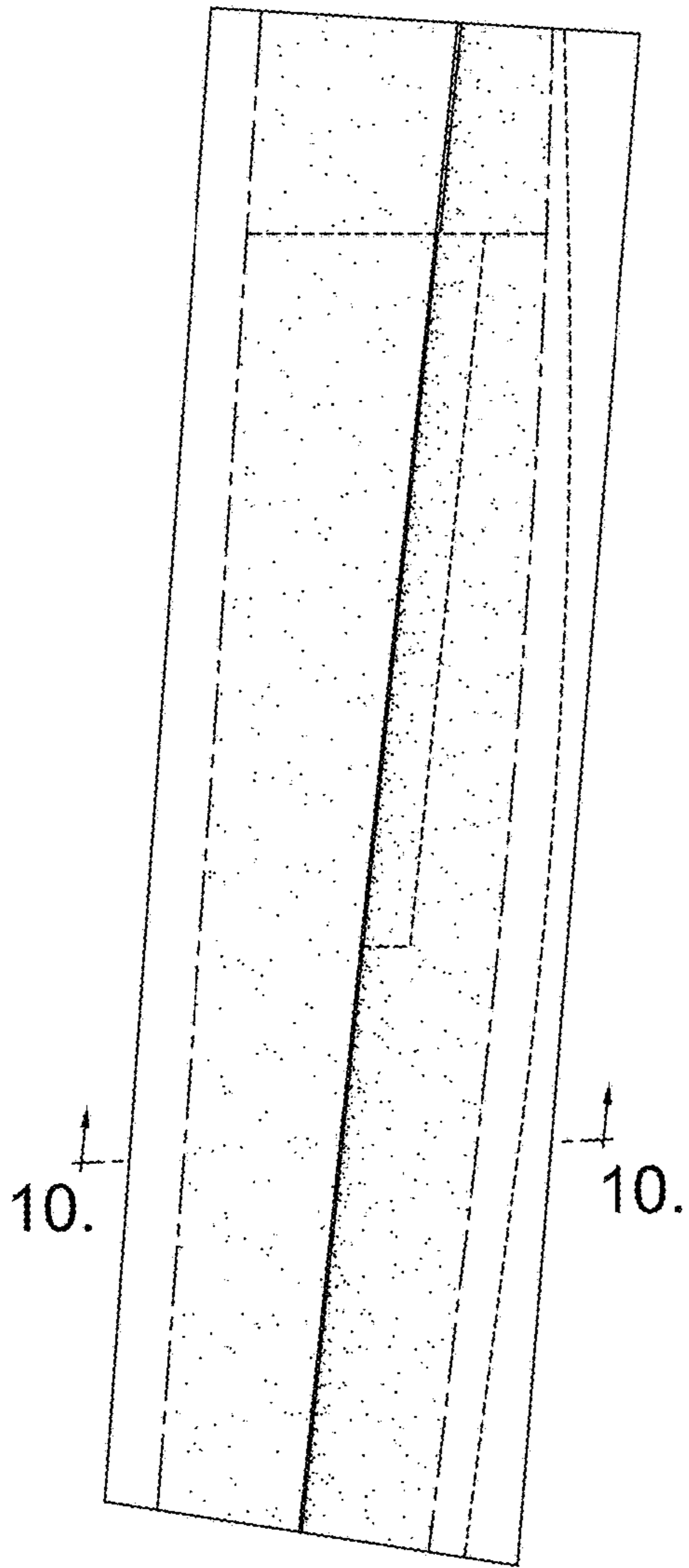


FIG. 8.

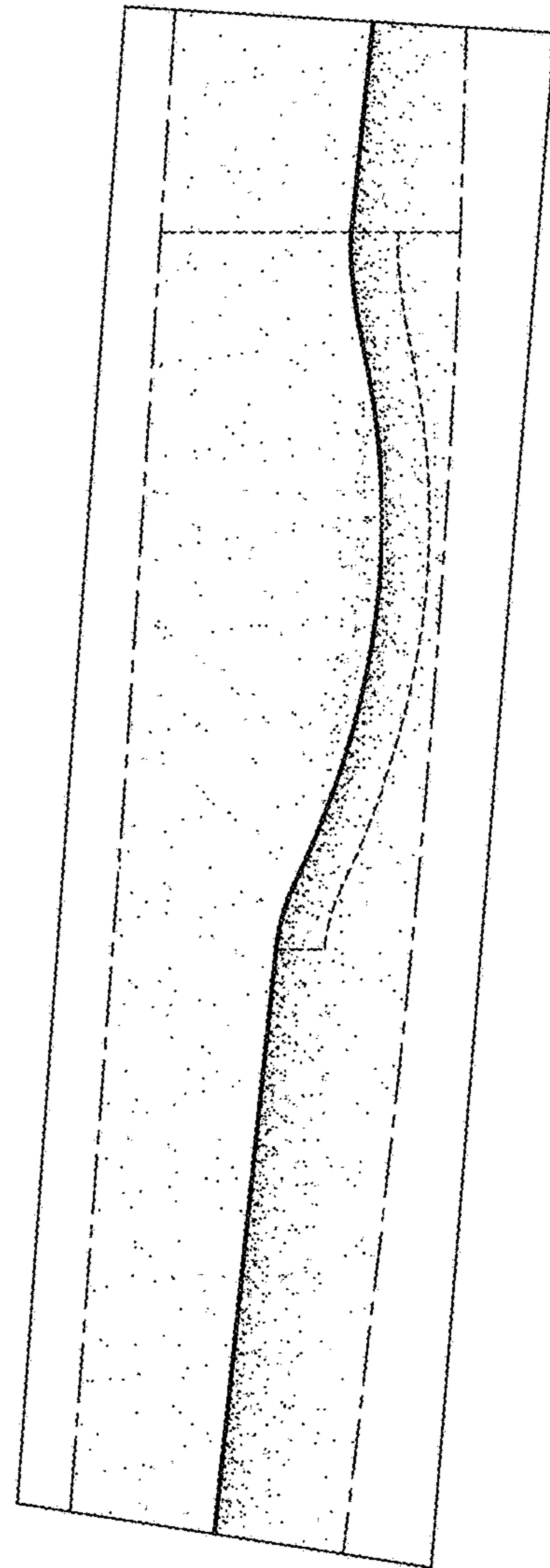


FIG. 9.

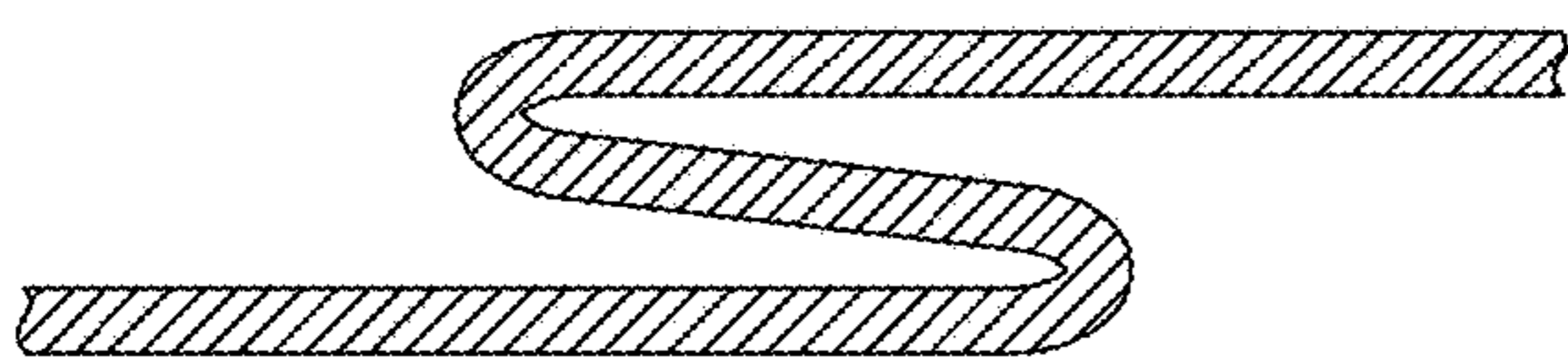


FIG. 10.

UNITED STATES PATENT AND TRADEMARK OFFICE  
**CERTIFICATE OF CORRECTION**

PATENT NO. : D797,402 S  
APPLICATION NO. : 29/564877  
DATED : September 19, 2017  
INVENTOR(S) : Jessica Lomax

Page 1 of 1

It is certified that error appears in the above-identified patent and that said Letters Patent is hereby corrected as shown below:

On the Title Page

In the Description:

Line 14: "pocket is revealed; and," should read --pocket is revealed; and--

Signed and Sealed this  
Seventh Day of November, 2017



Joseph Matal

*Performing the Functions and Duties of the  
Under Secretary of Commerce for Intellectual Property and  
Director of the United States Patent and Trademark Office*