



US00D797400S

(12) **United States Design Patent** (10) **Patent No.:** **US D797,400 S**
Diles (45) **Date of Patent:** **** Sep. 19, 2017**

(54) **BELT**
(71) Applicant: **John Diles**, Seattle, WA (US)
(72) Inventor: **John Diles**, Seattle, WA (US)
(**) Term: **14 Years**
(21) Appl. No.: **29/501,445**

6,192,835 B1 2/2001 Calhoun et al.
6,273,029 B1 8/2001 Gish
D454,992 S * 3/2002 Yantz D30/153
D457,688 S * 5/2002 Cordero D2/627
6,932,027 B1 8/2005 Whitney
7,284,505 B1 10/2007 Paxton et al.
7,467,604 B1 12/2008 Werner et al.
D590,038 S * 4/2009 Jarosik D21/780
7,516,717 B2 4/2009 David et al.
7,757,639 B1 7/2010 Prendes
7,814,866 B1 10/2010 Gramza
8,342,137 B1 1/2013 Burkhardt

(Continued)

(22) Filed: **Sep. 4, 2014**
(51) **LOC (10) Cl.** **02-07**
(52) **U.S. Cl.**
USPC **D2/629; D30/153**
(58) **Field of Classification Search**
USPC D2/627, 628, 629, 631, 632, 634, 635,
D2/636, 638; D3/215, 635; D11/3, 216;
D21/692; D29/101.3, 101.5, 120.1;
D30/152, 153
CPC .. A41F 9/00; A41F 9/002; A41F 9/005; A41F
9/007; A41F 9/02; A63B 29/02; A63B
29/028
See application file for complete search history.

Primary Examiner — Celia Murphy
Assistant Examiner — Clare Ann Gannon
(74) *Attorney, Agent, or Firm* — Dunlap Bennett &
Ludwig PLLC

(57) **CLAIM**

The ornamental design for a belt, as shown and described.

DESCRIPTION

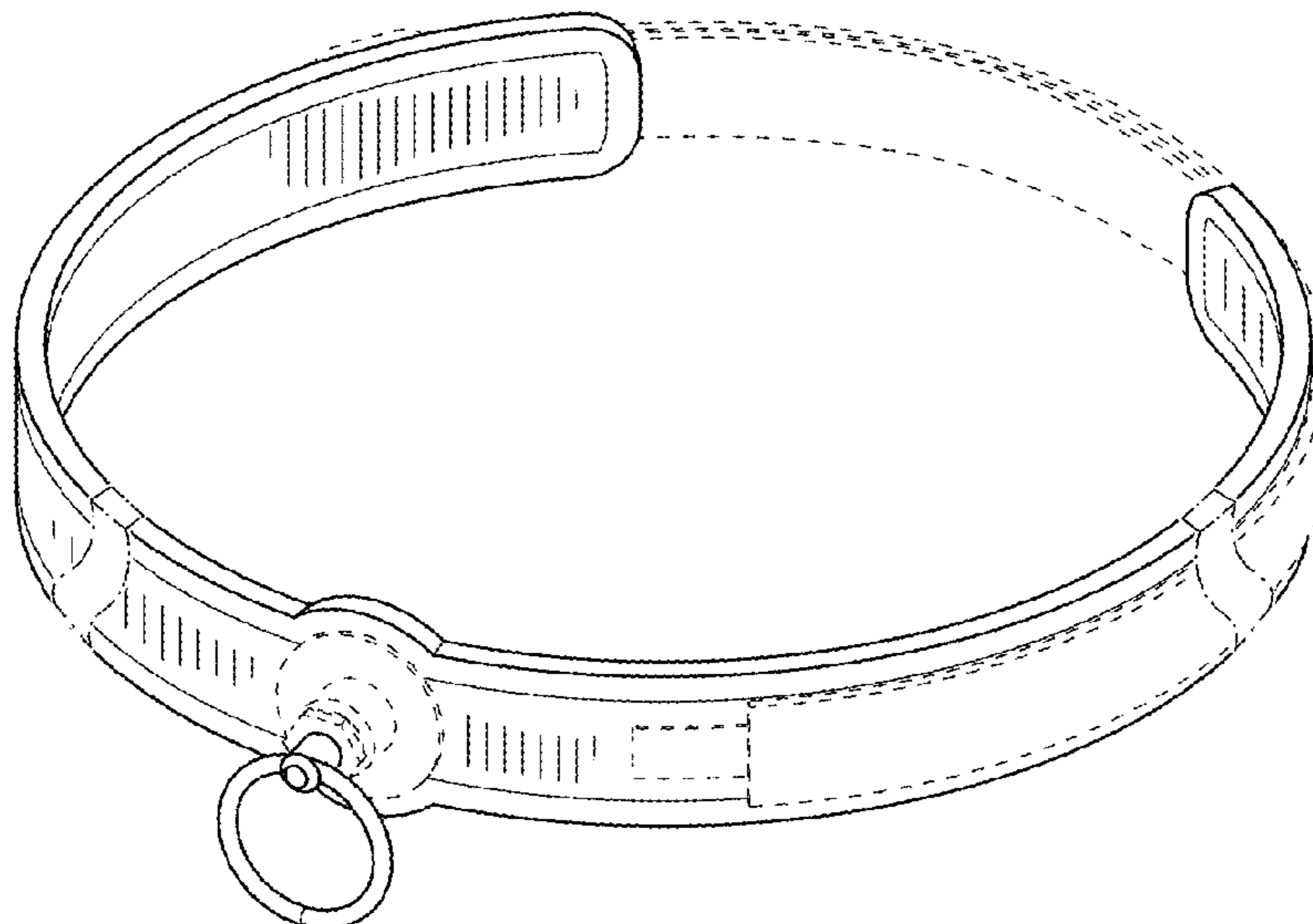
FIG. 1 is a perspective front view of a belt;
FIG. 2 is a front elevation view of the belt;
FIG. 3 is a rear elevation view of the belt;
FIG. 4 is a left elevation view of the belt;
FIG. 5 is a right elevation view of the belt;
FIG. 6 is a top elevation view of the belt;
FIG. 7 is a bottom elevation view of the belt;
FIG. 8 is a perspective view of the belt in an unfastened
configuration; and,
FIG. 9 is a perspective view of the belt illustrated in use.
The broken lines depicting a human form and rope in FIG.
9 illustrate unclaimed environment. All other evenly broken
lines illustrate portions of the belt that form no part of the
claimed design.
The belt is shown with a symbolic break in its length. The
appearance of any portion of the article between the break
lines forms no part of the claimed design.

1 Claim, 4 Drawing Sheets

(56) **References Cited**

U.S. PATENT DOCUMENTS

2,127,034 A * 8/1938 Kabat A41F 9/002
182/9
4,173,201 A * 11/1979 Chao A01K 27/006
119/859
4,348,774 A 9/1982 Woodson
4,522,153 A 6/1985 Vander Horst
4,627,132 A * 12/1986 Markham A41F 9/007
24/163 K
4,685,668 A 8/1987 Newlin
5,038,719 A 8/1991 McDonough
5,080,045 A 1/1992 Reese et al.
5,161,486 A 11/1992 Brown
D354,158 S * 1/1995 Trudeau D30/153
D383,256 S * 9/1997 Hampton 119/770
D407,866 S * 4/1999 Perrulli D30/153



(56)

References Cited

U.S. PATENT DOCUMENTS

8,534,233	B1	9/2013	Han et al.	
D708,794	S *	7/2014	Monsalve D30/152
2007/0012262	A1	1/2007	Cole	
2012/0037092	A1	2/2012	Sells	
2013/0042818	A1	2/2013	Capoano	
2013/0042819	A1	2/2013	Ekstrum	
2013/0139764	A1	6/2013	Hill et al.	

* cited by examiner

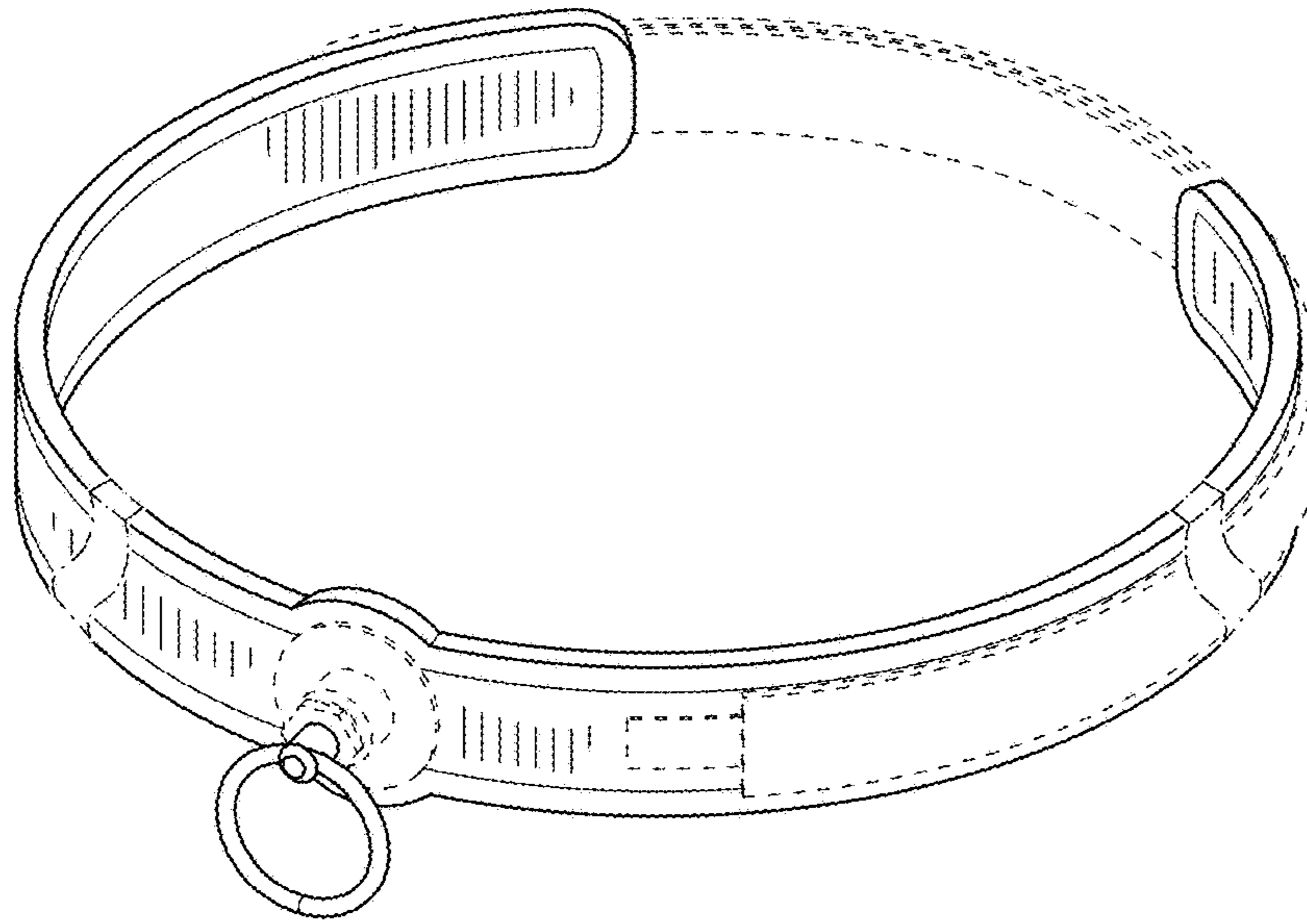


FIG. 1

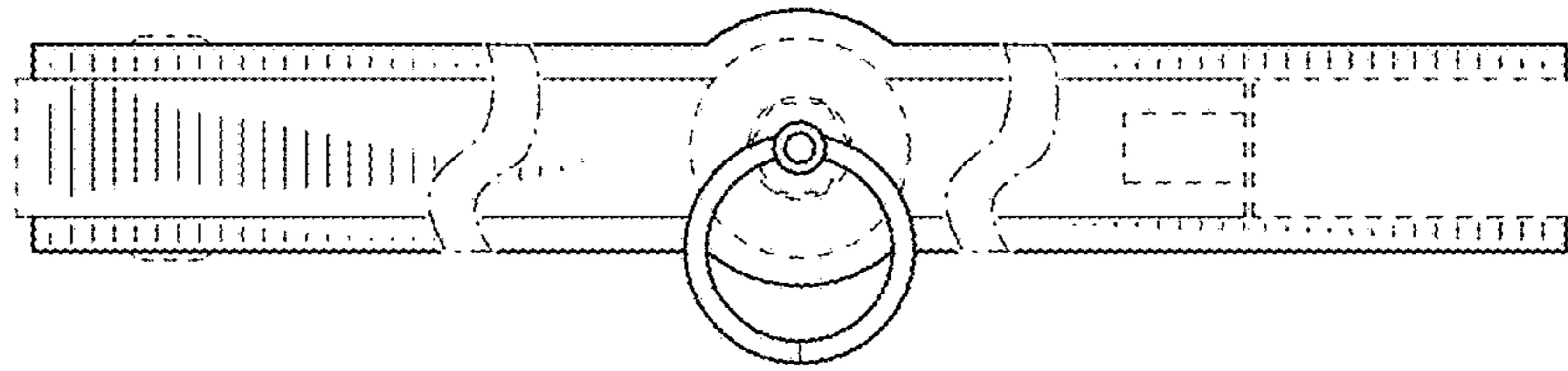


FIG. 2

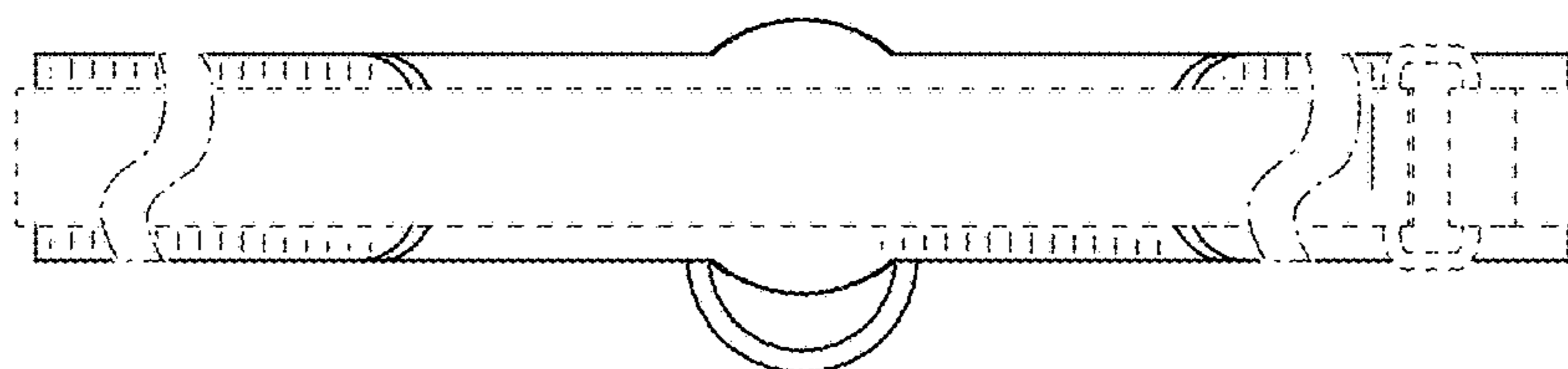


FIG. 3

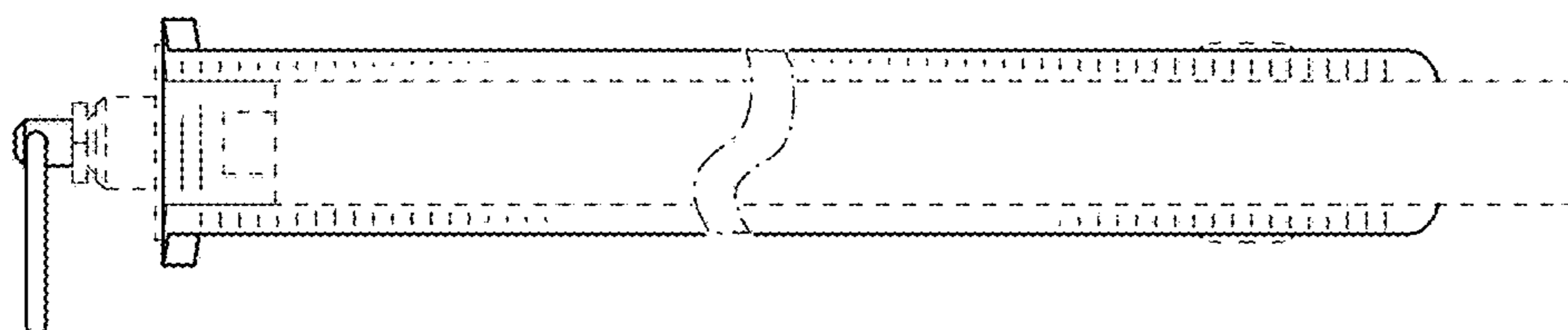


FIG. 4

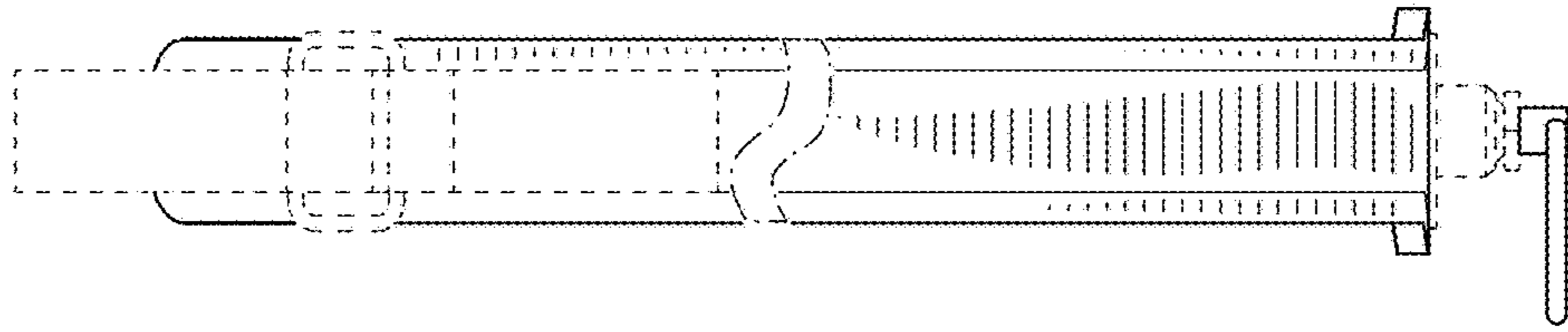


FIG. 5

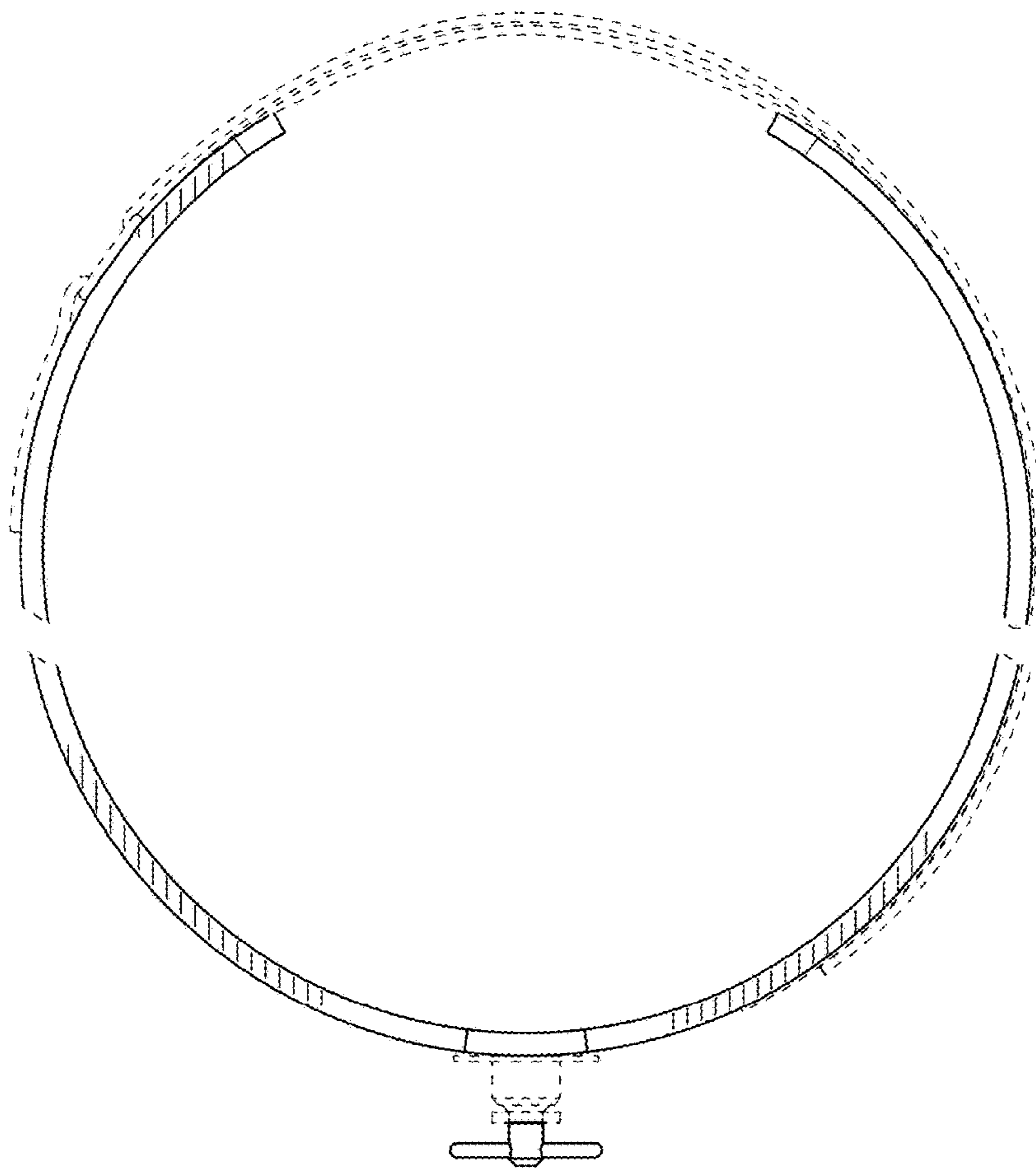


FIG. 6

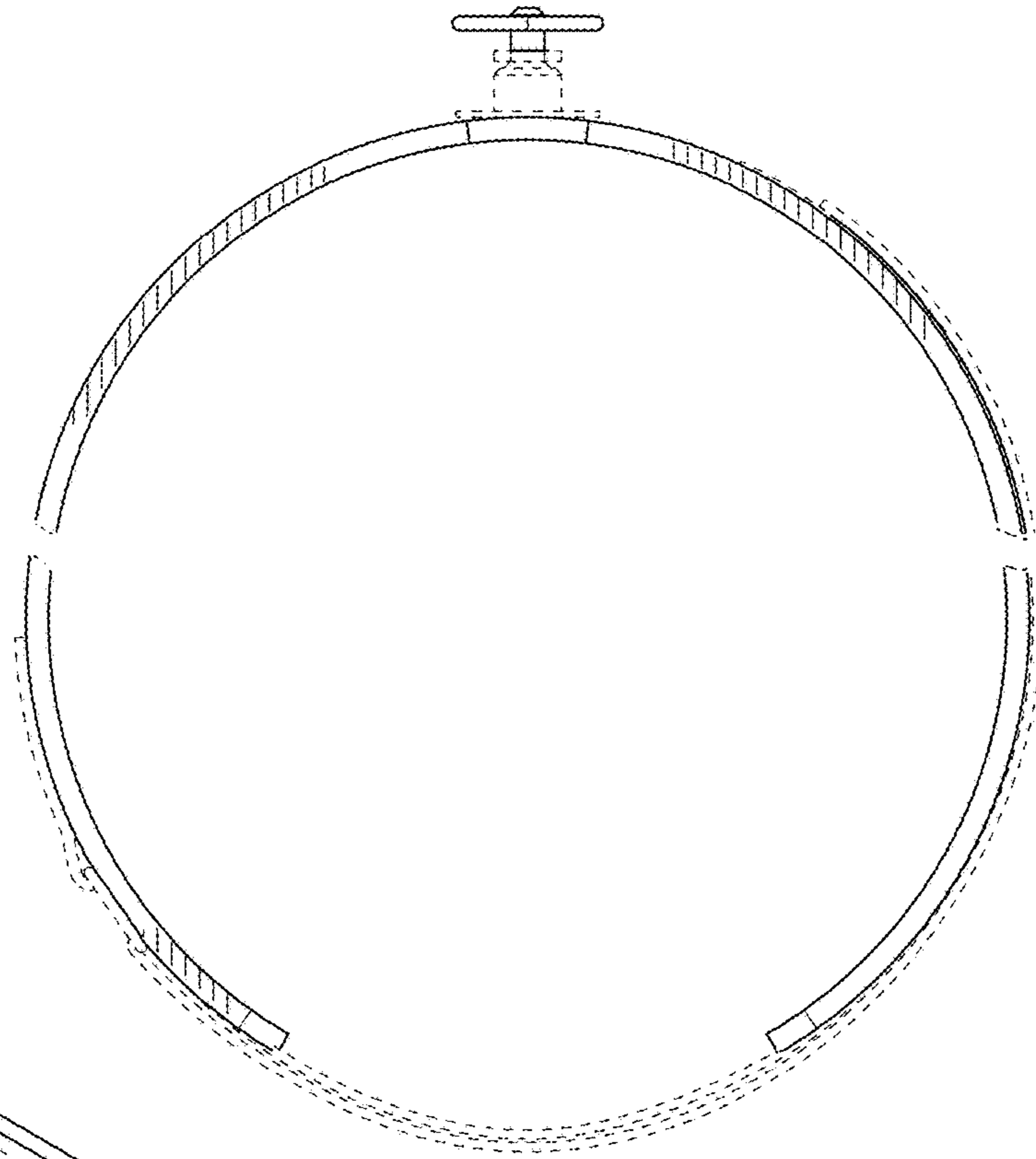


FIG. 7

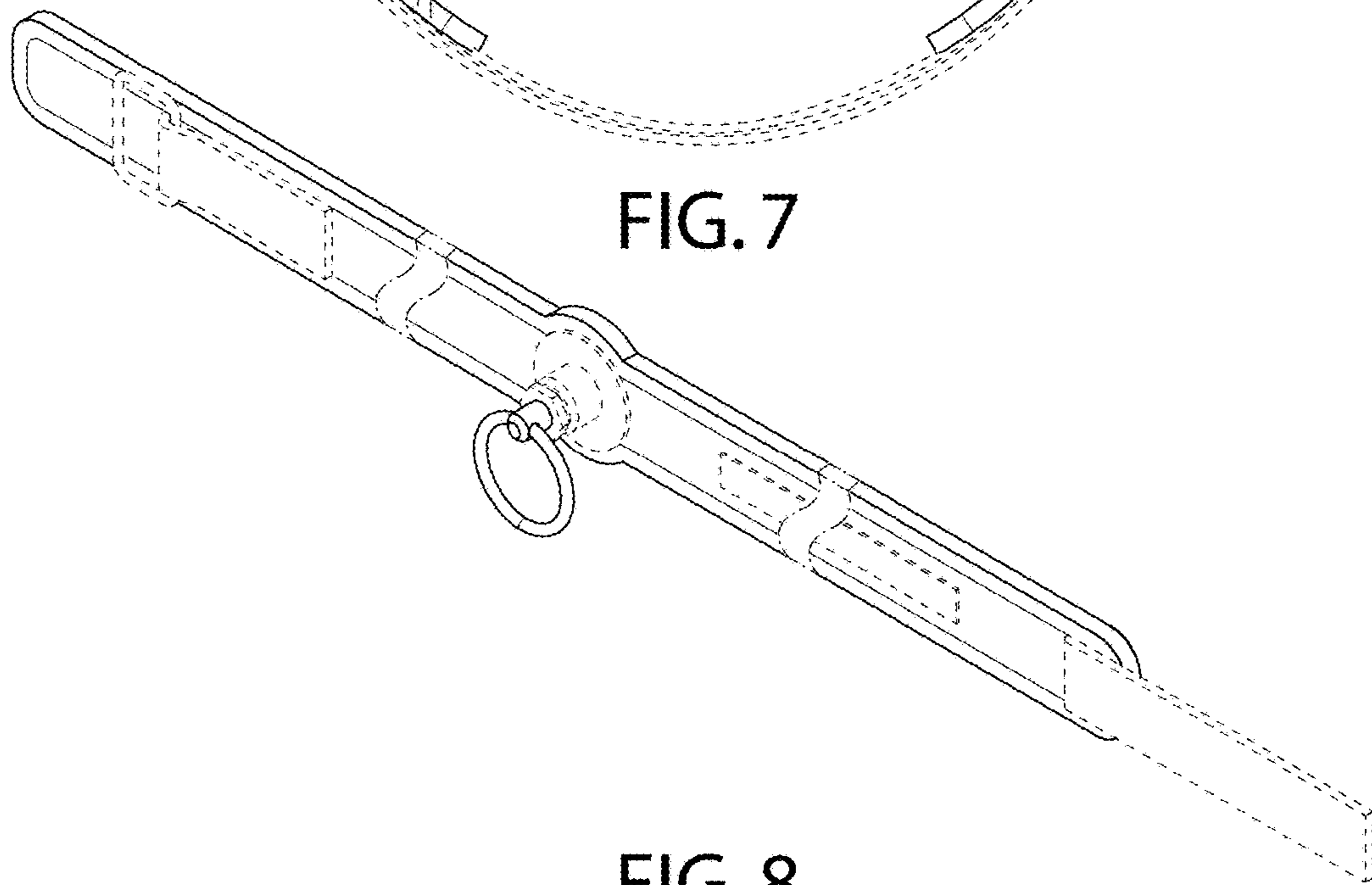


FIG. 8

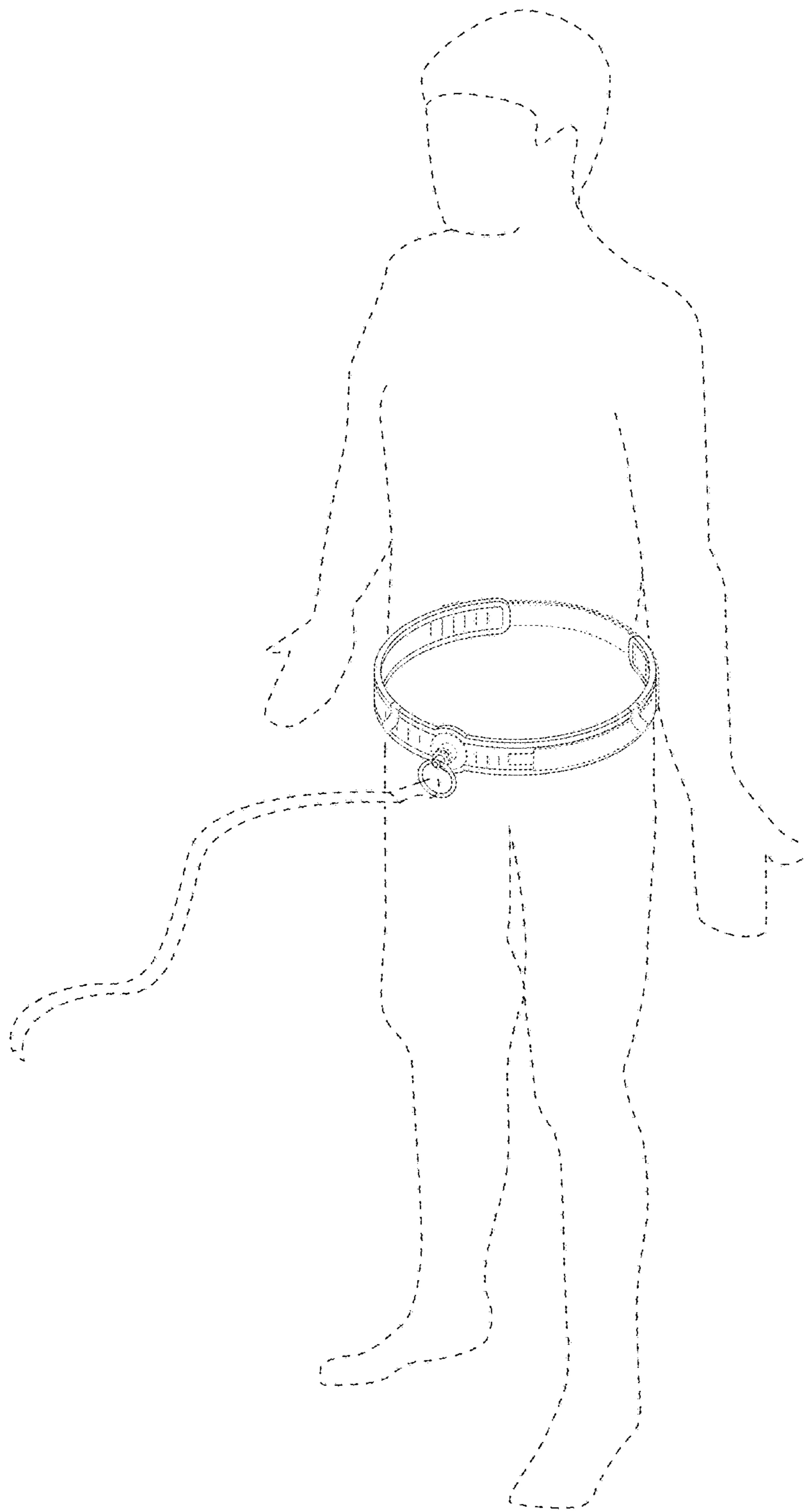


FIG. 9