

US00D797399S

(12) **United States Design Patent** (10) **Patent No.:** **US D797,399 S**
Seemel et al. (45) **Date of Patent:** **** Sep. 12, 2017**

(54) **COIN CAPSULE**
(71) Applicant: **The Unicover Corporation**, Cheyenne, WY (US)
(72) Inventors: **Debra Zoe Seemel**, Cheyenne, WY (US); **Thomas Eric Delaplaine**, Cheyenne, WY (US)

(73) Assignee: **The Unicover Corporation**, Cheyenne, WY (US)

(**) Term: **15 Years**

(21) Appl. No.: **29/547,585**

(22) Filed: **Dec. 4, 2015**

(51) **LOC (10) Cl.** **03-01**

(52) **U.S. Cl.**
USPC **D99/34**

(58) **Field of Classification Search**
USPC D99/28, 34, 36, 43, 99; D18/3.1, 3.2, D18/3.3, 46, 47

(Continued)

(56) **References Cited**

U.S. PATENT DOCUMENTS

464,728 A * 12/1891 Evans B65D 27/00
229/92.9

D22,216 S * 2/1893 Lines D99/34
(Continued)

FOREIGN PATENT DOCUMENTS

DE 201 15 534 U1 1/2002
DE 202 00 976 5/2002

(Continued)

OTHER PUBLICATIONS

U.S. Appl. No. 14/327,848 entitled "Rotatable Display" filed Jul. 10, 2014.

(Continued)

Primary Examiner — Elizabeth J Oswecki
(74) *Attorney, Agent, or Firm* — Hamilton, Brook, Smith & Reynolds, P.C.

(57) **CLAIM**

The ornamental design for a coin capsule, as shown and described.

DESCRIPTION

FIG. 1 is a top perspective view of a coin capsule showing our new design;

FIG. 2 is a bottom perspective view thereof;

FIG. 3 is a top plan view thereof;

FIG. 4 is a bottom plan view thereof;

FIG. 5 is a side elevation view thereof;

FIG. 6 is a cross sectional view taken along line 6-6 in FIG. 3;

FIG. 7 is an exploded top perspective view thereof, showing the base and lid of the coin capsule separated;

FIG. 8 is a top plan view of the base shown separately for ease of illustration;

FIG. 9 is bottom plan view of FIG. 8;

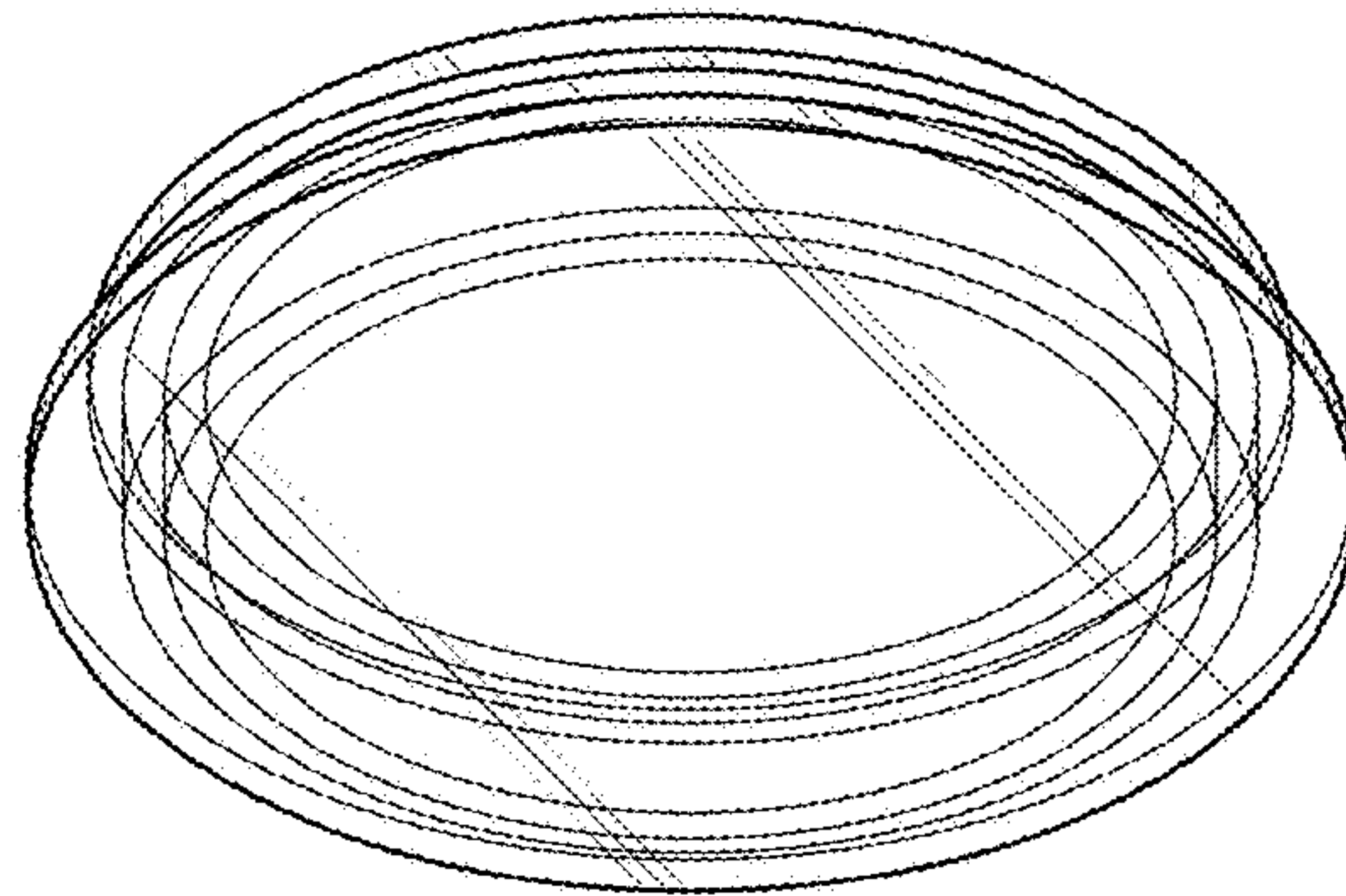
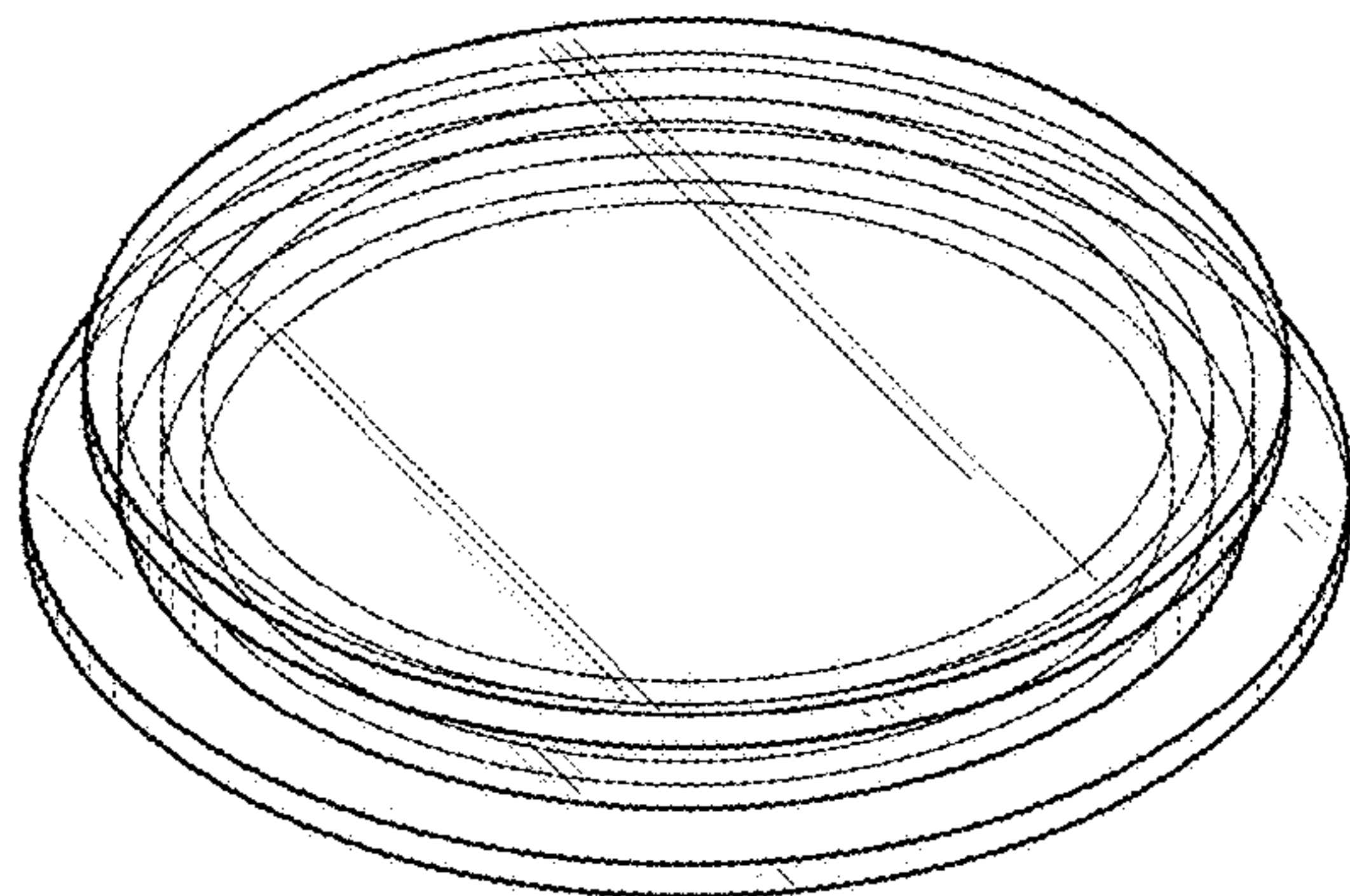
FIG. 10 is a side elevation view of FIG. 8; and,

FIG. 11 is a cross sectional view taken along line 11-11 in FIG. 8.

The coin capsule in the present invention is a clear or transparent round coin holder that can include a round base and lid which can be assembled together to contain a coin within the interior of the coin capsule for protected viewing or display. The coin capsule can be mounted to a display card.

The broken lines shown in the drawings represent portions of the coin capsule that form no part of the claimed design. All surfaces not shown form no part of the claimed design.

1 Claim, 4 Drawing Sheets



(58) **Field of Classification Search**

CPC A45C 1/12; A45C 2001/003; A45C
 2001/006; A45C 2001/102; A45C
 2001/104; A45C 2001/105; A45C
 2001/107; A45C 2001/108; A45B
 2001/125; G07D 9/00; G07D 9/002;
 G07D 9/004; G07D 9/006; G07D 9/008;
 G07D 9/02; G07D 9/04; G07D 9/06;
 G07D 9/065; G07D 11/00; G07D 13/00;
 G07D 2201/00; G07F 9/04; G07F 9/06;
 G07F 9/08; B42F 5/00

See application file for complete search history.

(56) **References Cited**

U.S. PATENT DOCUMENTS

D42,535 S * 5/1912 Davis D99/34
 1,152,097 A * 8/1915 Joseph A45C 1/12
 232/4 R
 2,129,879 A 9/1938 Samuel
 2,258,535 A 10/1941 Buranelli
 2,457,998 A 1/1949 Hayes et al.
 2,597,227 A 5/1952 Colliton
 2,899,046 A 8/1959 Cox, Jr.
 2,971,638 A 2/1961 Allison et al.
 3,025,952 A 3/1962 Phipps
 3,100,567 A 8/1963 Levy
 D197,045 S * 12/1963 Spadero D99/34
 3,139,977 A 7/1964 Burdick
 3,193,090 A 7/1965 Hudgeons, Sr. et al.
 3,199,666 A 8/1965 Burdick
 3,212,637 A 10/1965 Shippee
 D203,737 S * 2/1966 Friedman D11/79
 3,788,464 A 1/1974 Skinner
 3,913,732 A 10/1975 Peterson
 3,968,582 A * 7/1976 Jones A44C 21/00
 264/246

4,063,639 A 12/1977 Grant
 4,270,659 A 6/1981 Kuchenbecker
 D267,047 S * 11/1982 Lindstrom D9/426
 4,385,688 A 5/1983 Grant
 5,042,650 A 8/1991 Mayer et al.
 D383,702 S * 9/1997 MacDonald D11/79
 D423,757 S * 4/2000 Briggs D99/34
 6,076,675 A 6/2000 Pawlowski
 D431,341 S * 9/2000 DiPaolo D3/208
 D443,126 S * 5/2001 Reviea D99/34
 D447,052 S * 8/2001 Goserud D9/418
 7,100,761 B2 9/2006 Helzer et al.
 D569,575 S * 5/2008 Yalinkaya D99/34
 D570,075 S * 5/2008 Wood D99/34
 D575,147 S * 8/2008 Ruybal D99/34
 D589,787 S * 4/2009 Ruybal D99/34
 D595,924 S * 7/2009 Haynes D99/34
 8,177,057 B1 5/2012 Krull et al.
 8,408,387 B2 * 4/2013 Sottile A45C 1/10
 206/0.82
 D761,515 S * 7/2016 Johnson D99/34
 D770,405 S * 11/2016 Esagoff D13/183
 D778,717 S * 2/2017 Lundin D8/331
 2006/0278539 A1 12/2006 Fager
 2013/0067866 A1 3/2013 Zacard
 2013/0228488 A1 9/2013 Wu et al.

FOREIGN PATENT DOCUMENTS

GB 1 603 569 11/1981
 WO WO 2004/023942 3/2004

OTHER PUBLICATIONS

U.S. Appl. No. 14/515,801 entitled "Rotatable Display" filed Oct.
 16, 2014.

* cited by examiner

FIG. 1

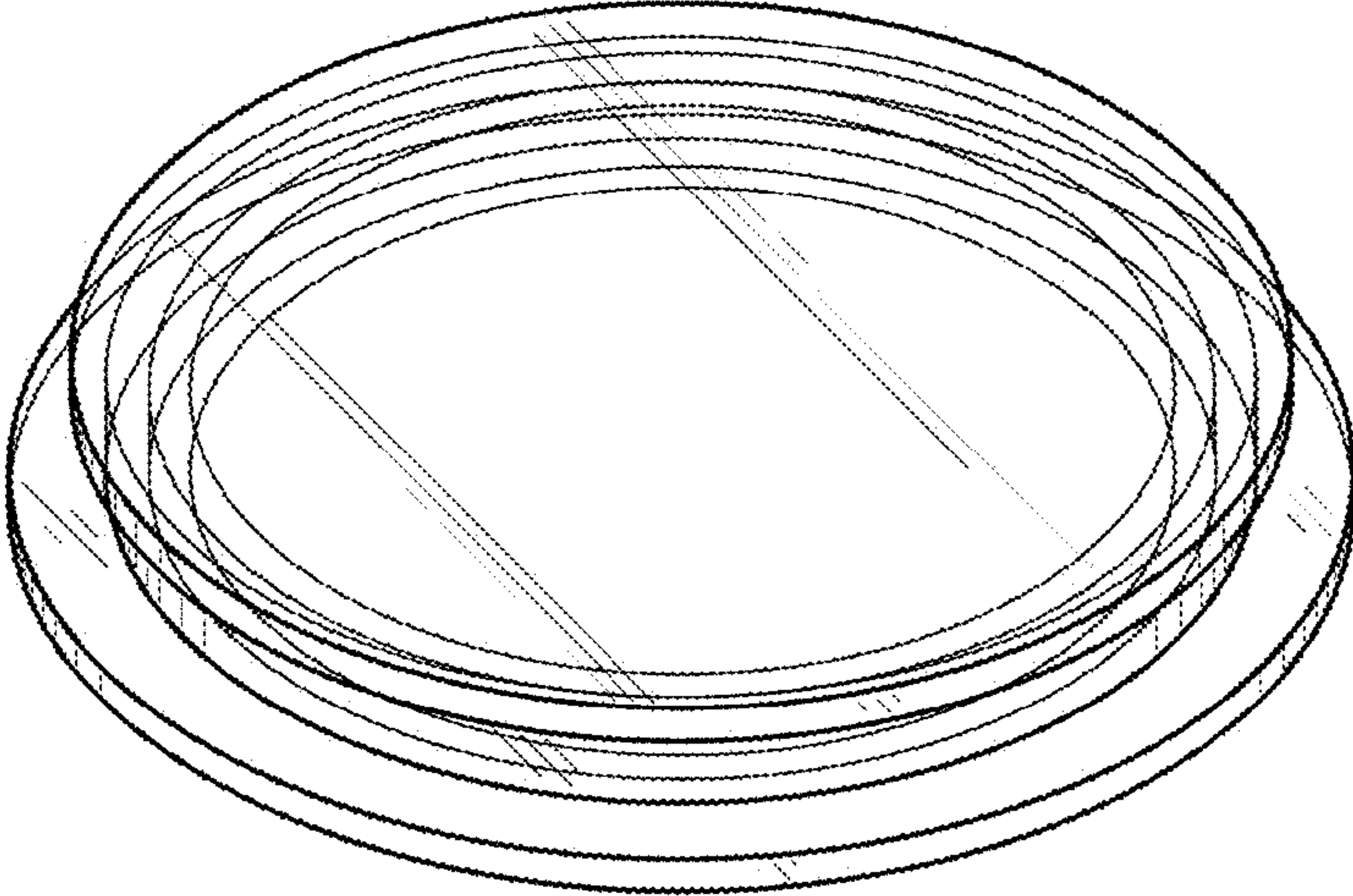


FIG. 2

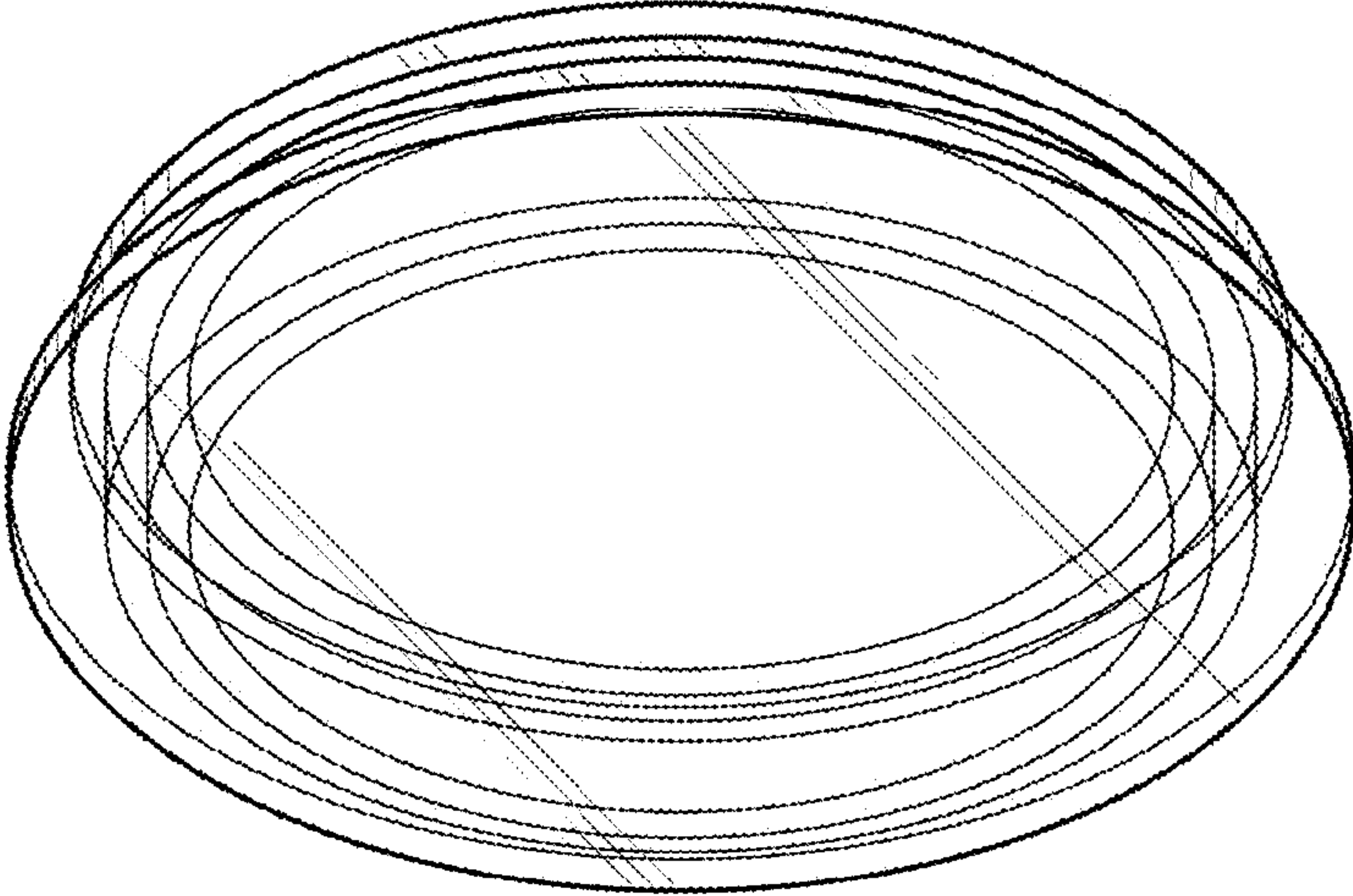


FIG. 3

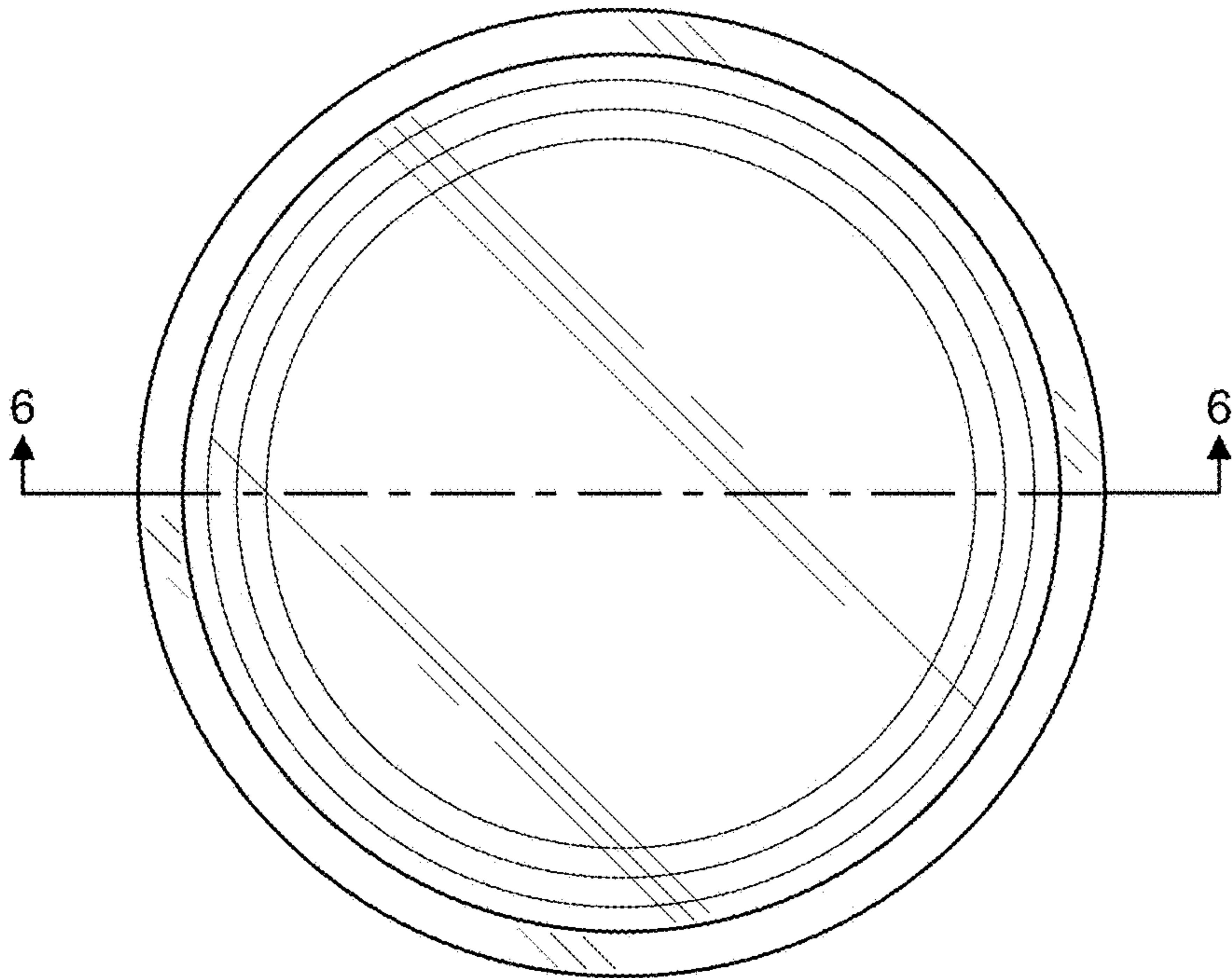


FIG. 4

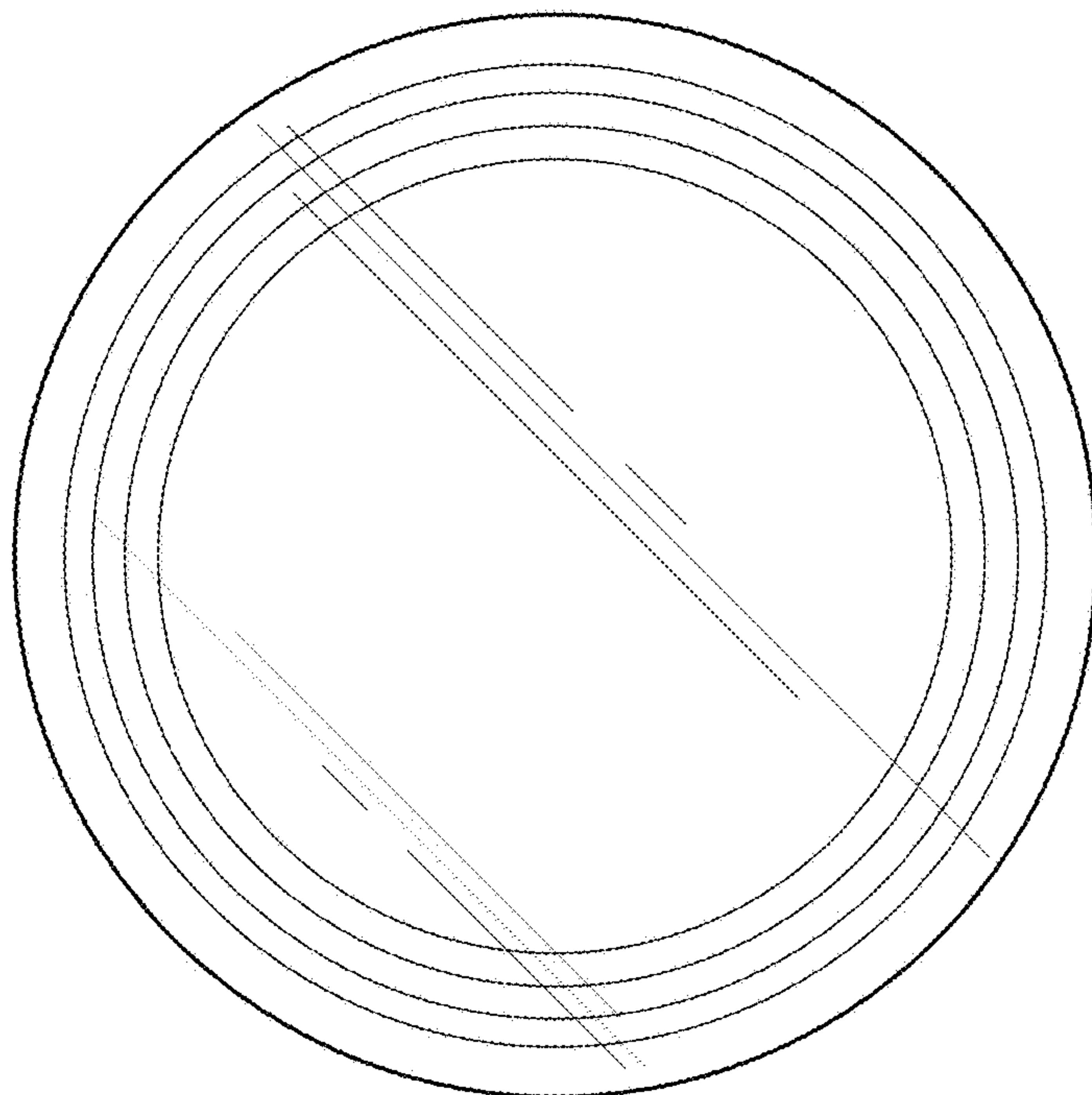


FIG. 5

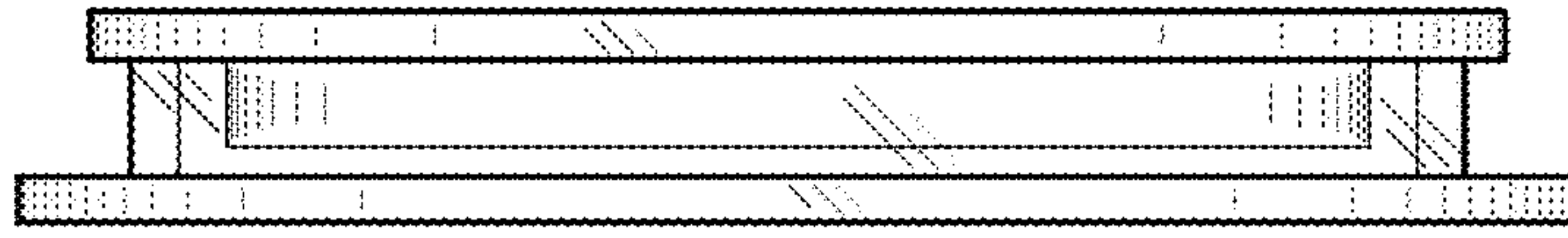


FIG. 6

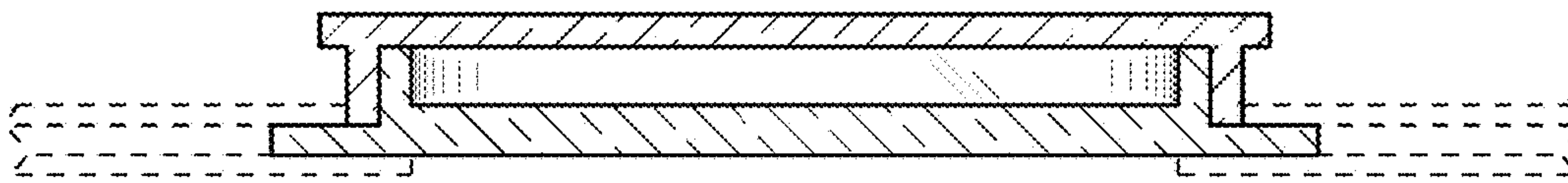
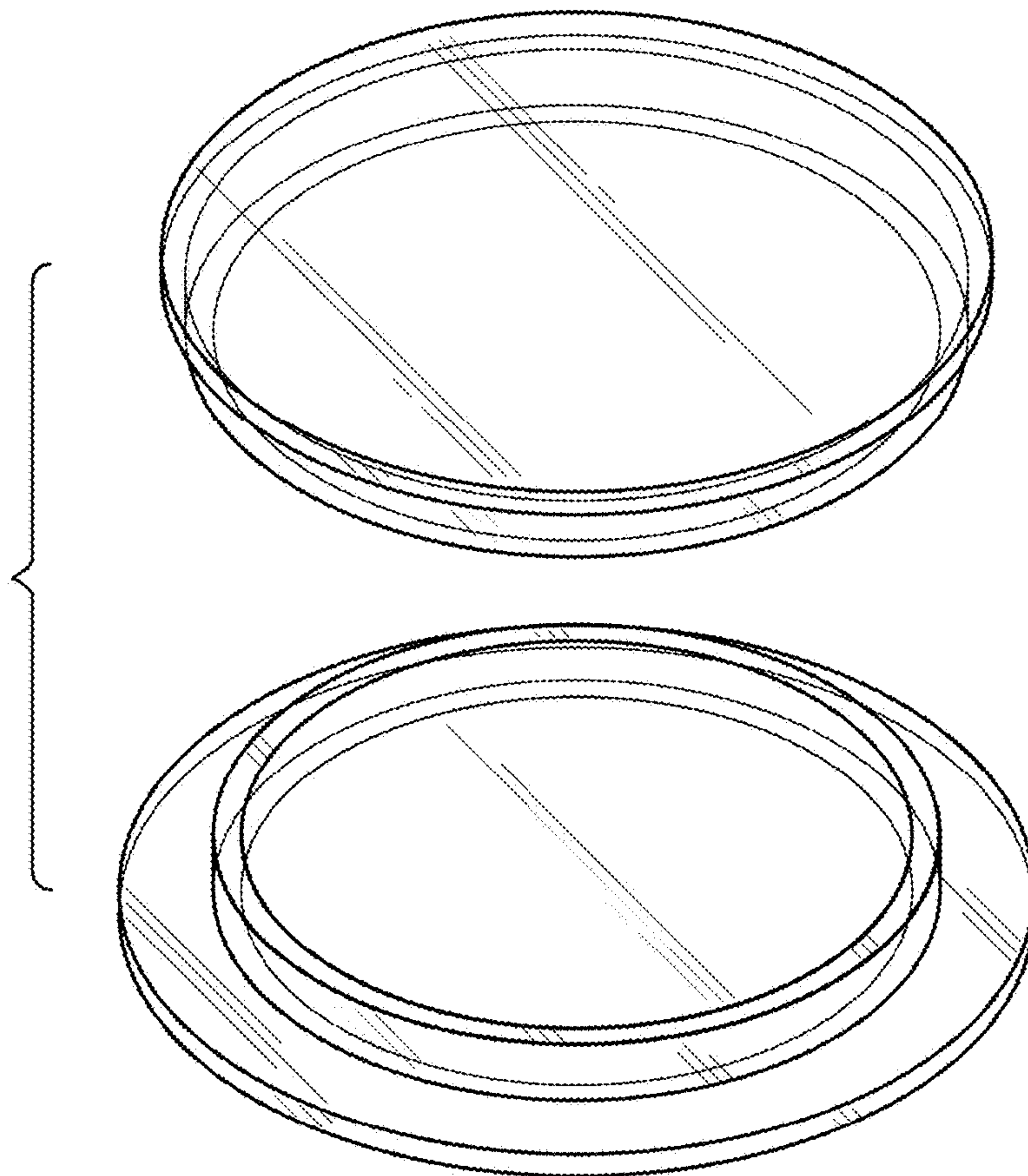


FIG. 7



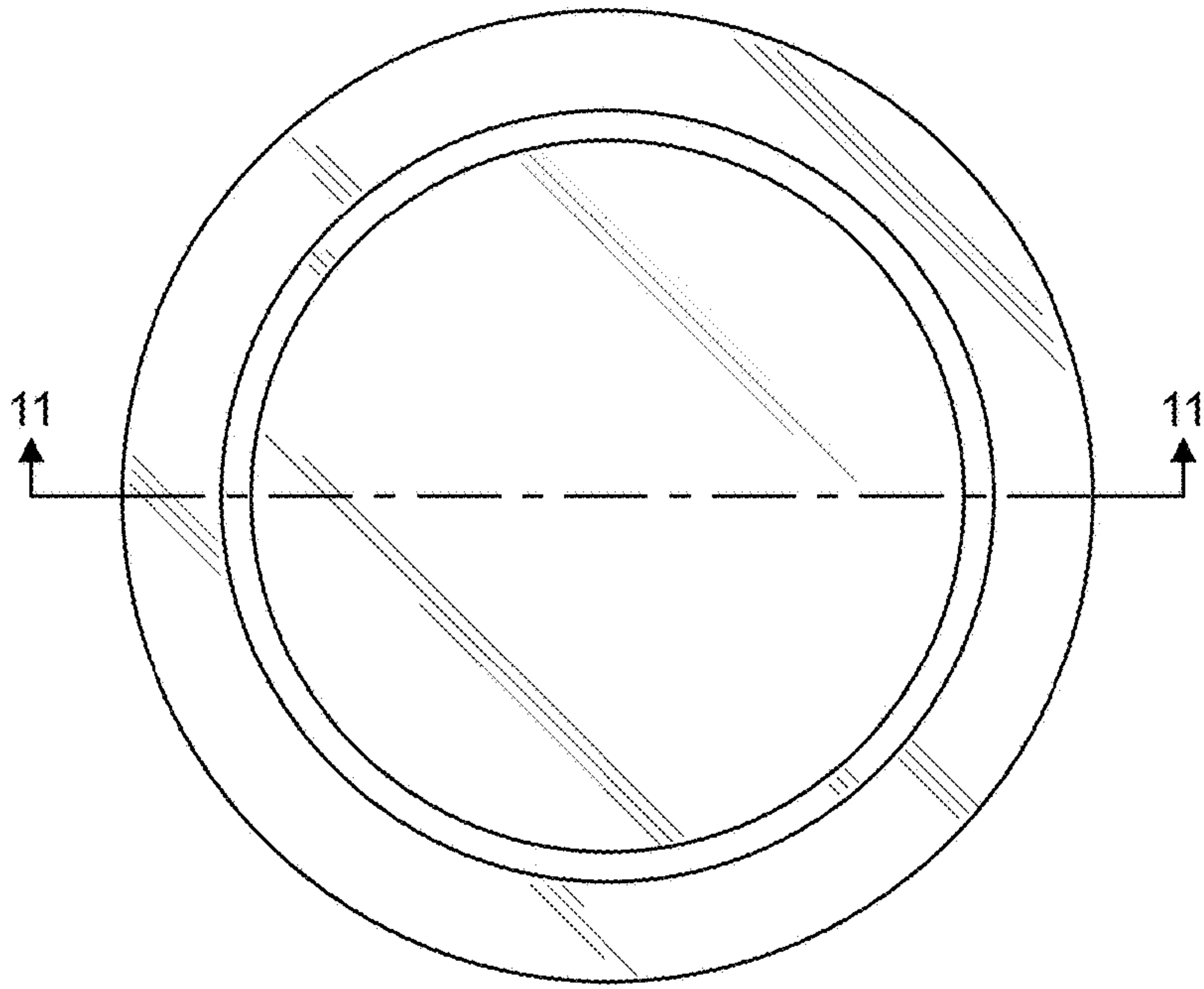


FIG. 8

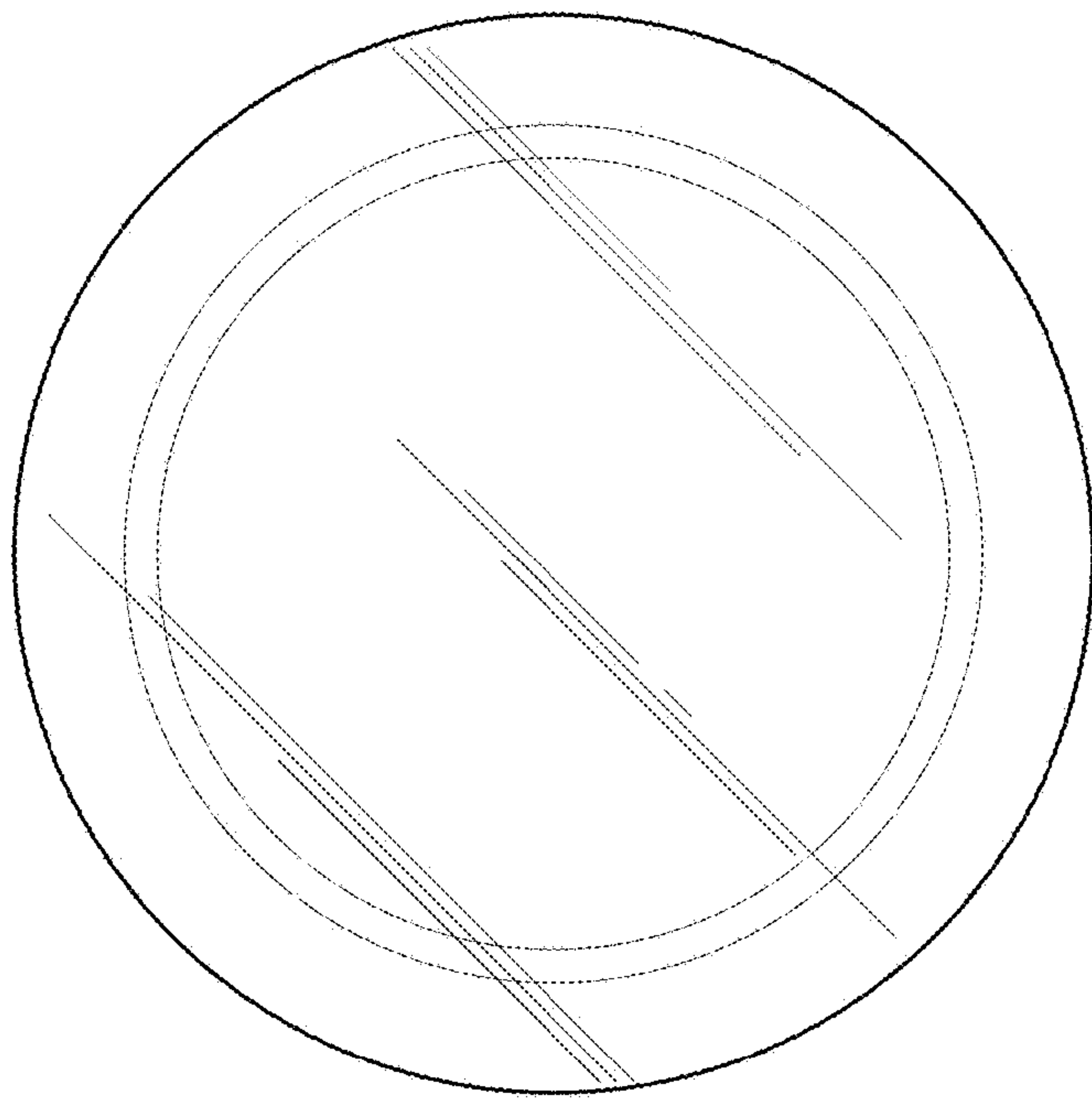


FIG. 9



FIG. 10

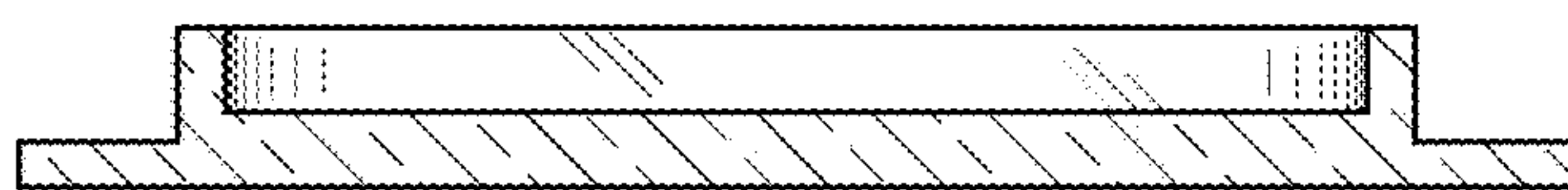


FIG. 11