



US00D797397S

(12) **United States Design Patent** (10) **Patent No.:** **US D797,397 S**
Donohue (45) **Date of Patent:** **** Sep. 12, 2017**

(54) **STANCHION FOR VEHICLE LOADING**

(71) Applicant: **James P Donohue**, Dayton, OH (US)

(72) Inventor: **James P Donohue**, Dayton, OH (US)

(**) Term: **14 Years**

(21) Appl. No.: **29/516,019**

(22) Filed: **Jan. 28, 2015**

(51) **LOC (10) Cl.** **12-05**

(52) **U.S. Cl.**
USPC **D34/35**

(58) **Field of Classification Search**
USPC D34/28, 33, 35; D12/400, 106, 406, 408,
D12/162, 223, 159, 160
CPC B60P 1/6454; B60P 1/48; B60P 1/4427;
B60P 3/122; B60P 3/107; B60D 1/065;
B60D 1/00; B60D 1/60; B60D 1/06
See application file for complete search history.

(56) **References Cited**

U.S. PATENT DOCUMENTS

- 3,733,051 A * 5/1973 Bollinger B60S 9/04
254/94
- D300,815 S * 4/1989 Chambers D12/162
- 5,511,929 A * 4/1996 Loftus B60P 1/5423
212/180
- D373,886 S * 9/1996 McCloud, Jr. D34/33
- D390,094 S * 2/1998 Pamplin D12/400
- D396,669 S * 8/1998 Wilson D12/106
- 6,155,587 A * 12/2000 Milazzo B60D 1/06
280/457
- 7,392,975 B2 * 7/2008 Nespor B60P 3/07
242/397
- D622,472 S * 8/2010 Hancock D34/33
- 7,997,850 B2 * 8/2011 Hutchison B60P 3/07
414/478
- D664,322 S * 7/2012 Peng D34/33

- 8,985,934 B1 * 3/2015 Jennison E02F 3/962
37/403
- D741,039 S * 10/2015 Huang D34/33
- D744,379 S * 12/2015 Penner D12/106
- D748,538 S * 2/2016 Waldner D12/162
- D759,336 S * 6/2016 Piispanen D34/33
- 2008/0219828 A1 * 9/2008 Schuettenberg B60D 1/00
414/800
- 2009/0139801 A1 * 6/2009 Friesen B66F 9/12
187/237

* cited by examiner

Primary Examiner — Cynthia Ramirez

(74) *Attorney, Agent, or Firm* — Gerald R. Black, Esq.

(57) **CLAIM**

The ornamental design for a stanchion for vehicle loading, as shown and described.

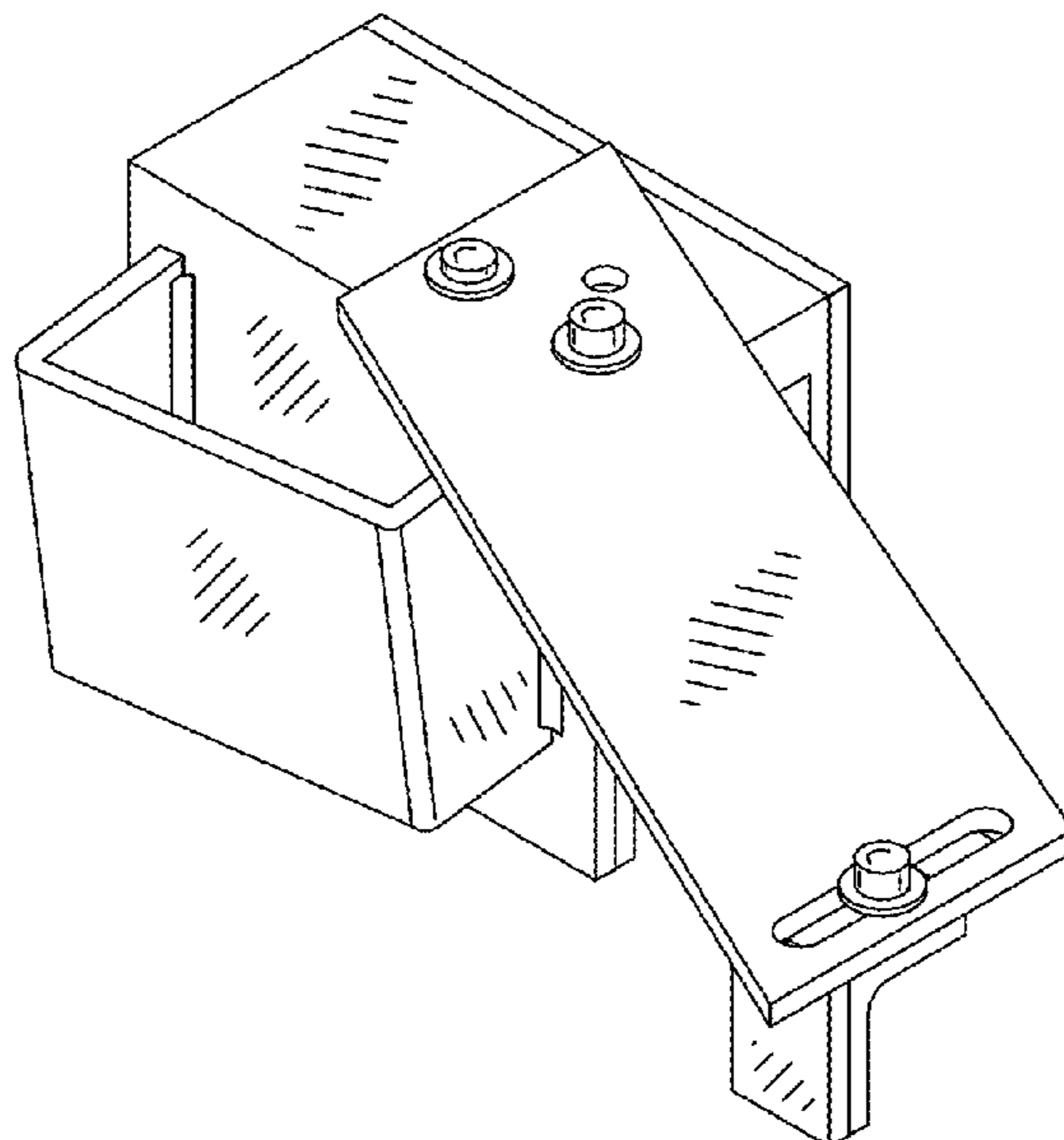
DESCRIPTION

This application is related to and claims priority to U.S. patent application Ser. No. 12/653,610, entitled "Vehicle Loading Apparatus" (Donohue) filed on Oct. 16, 2009; and U.S. patent application Ser. No. 13/573,886, entitled "Vehicle Loading Apparatus" (Donohue) filed on Oct. 12, 2012.

FIG. 1 is a perspective view of a stanchion for vehicle loading showing my new design; FIG. 2 is an illustrative perspective view thereof; FIG. 3 is a rear view thereof; FIG. 4 is a top view thereof; FIG. 5 is a left view thereof; FIG. 6 is a front view thereof; FIG. 7 is a right view thereof; and, FIG. 8 is a bottom view thereof.

The broken line showing in FIG. 2 is included for the purpose of illustrating environment and forms no part of the claimed design.

1 Claim, 8 Drawing Sheets



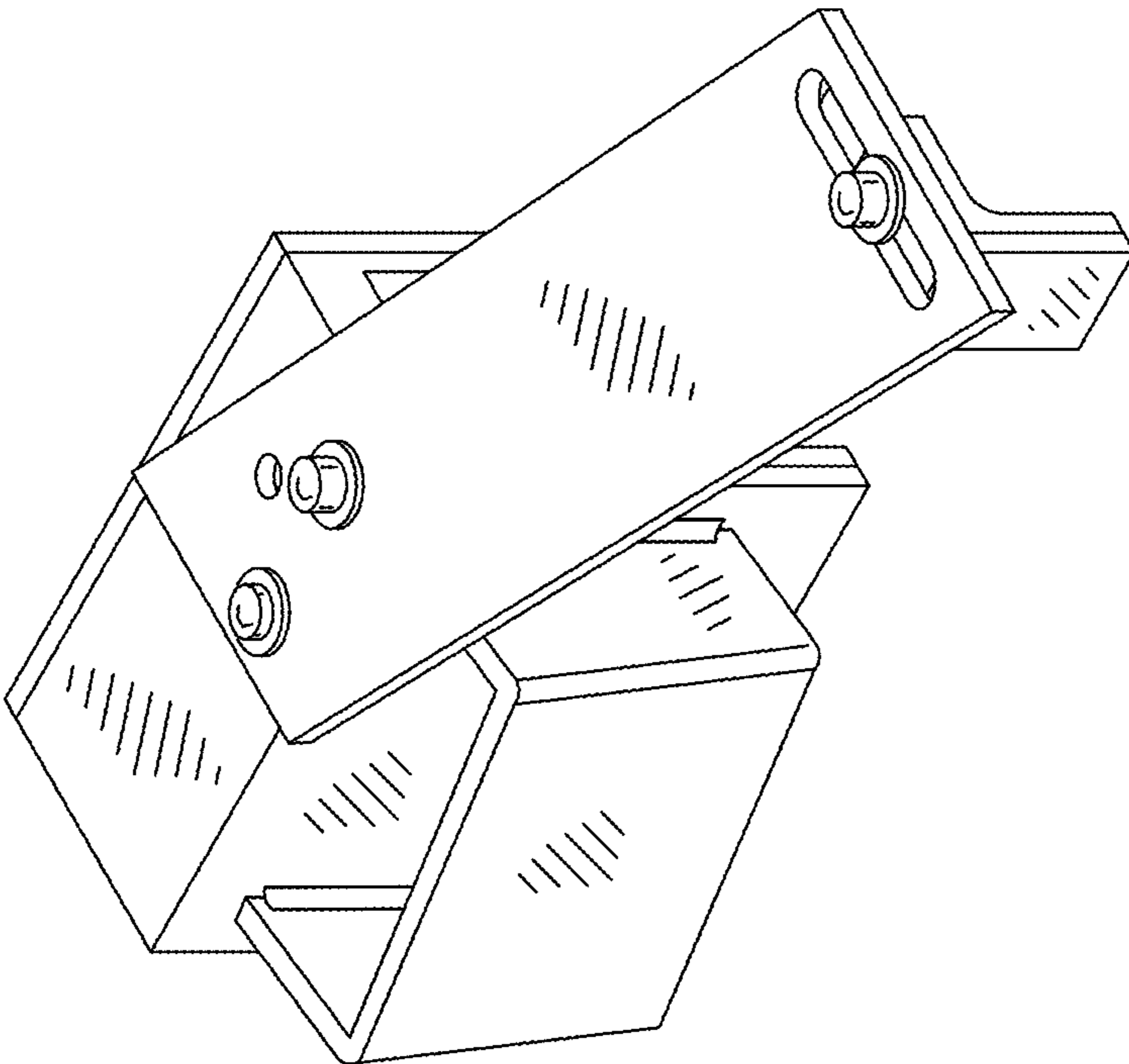


FIGURE 1

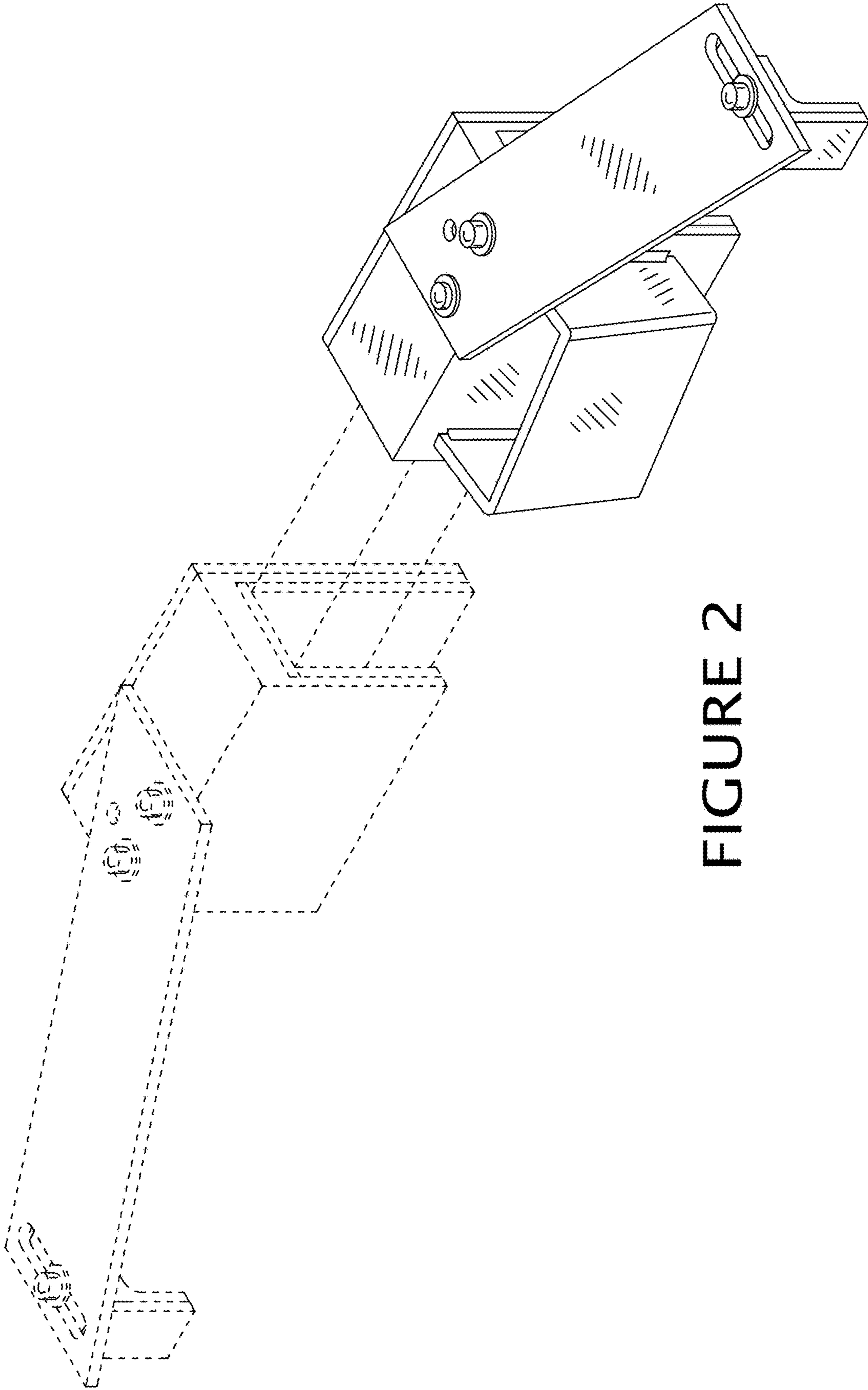


FIGURE 2

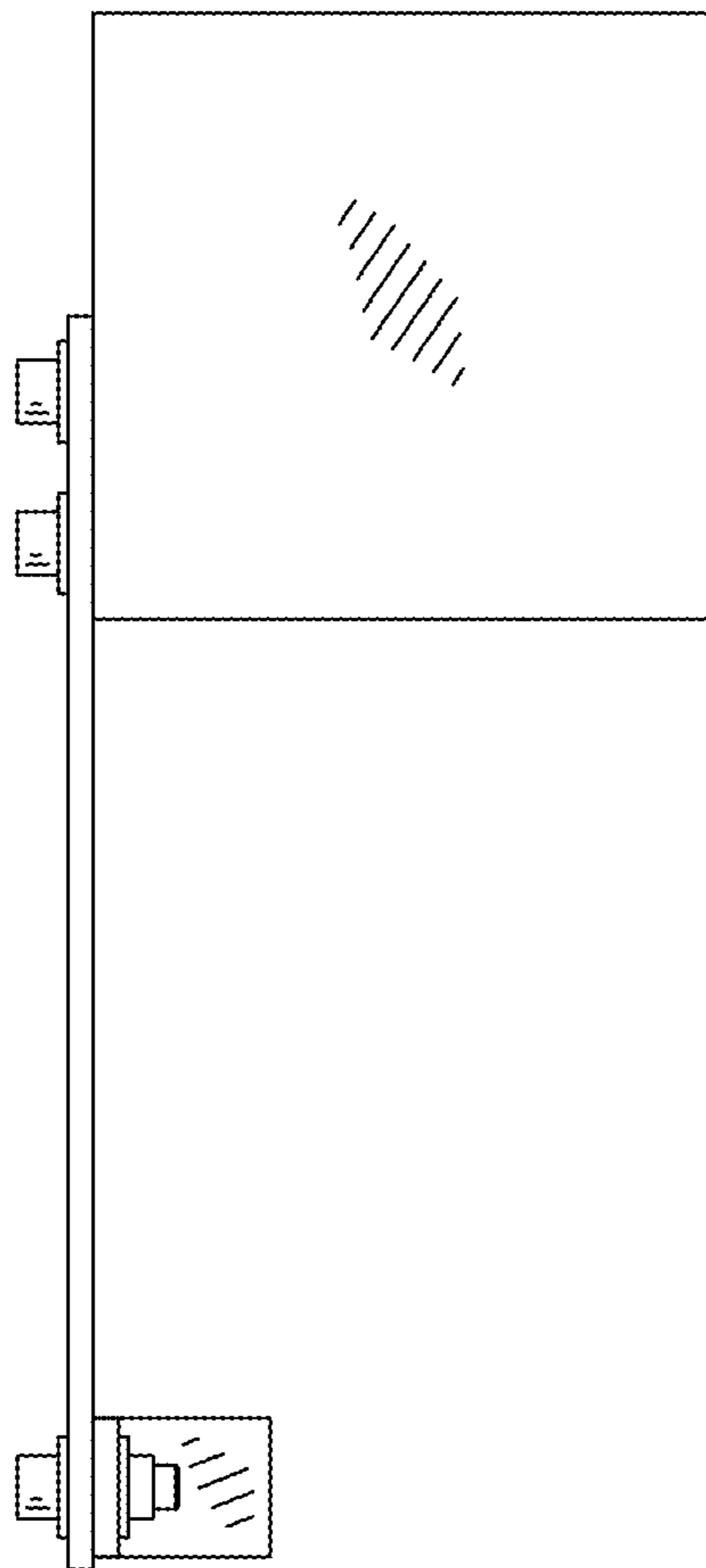


FIGURE 3

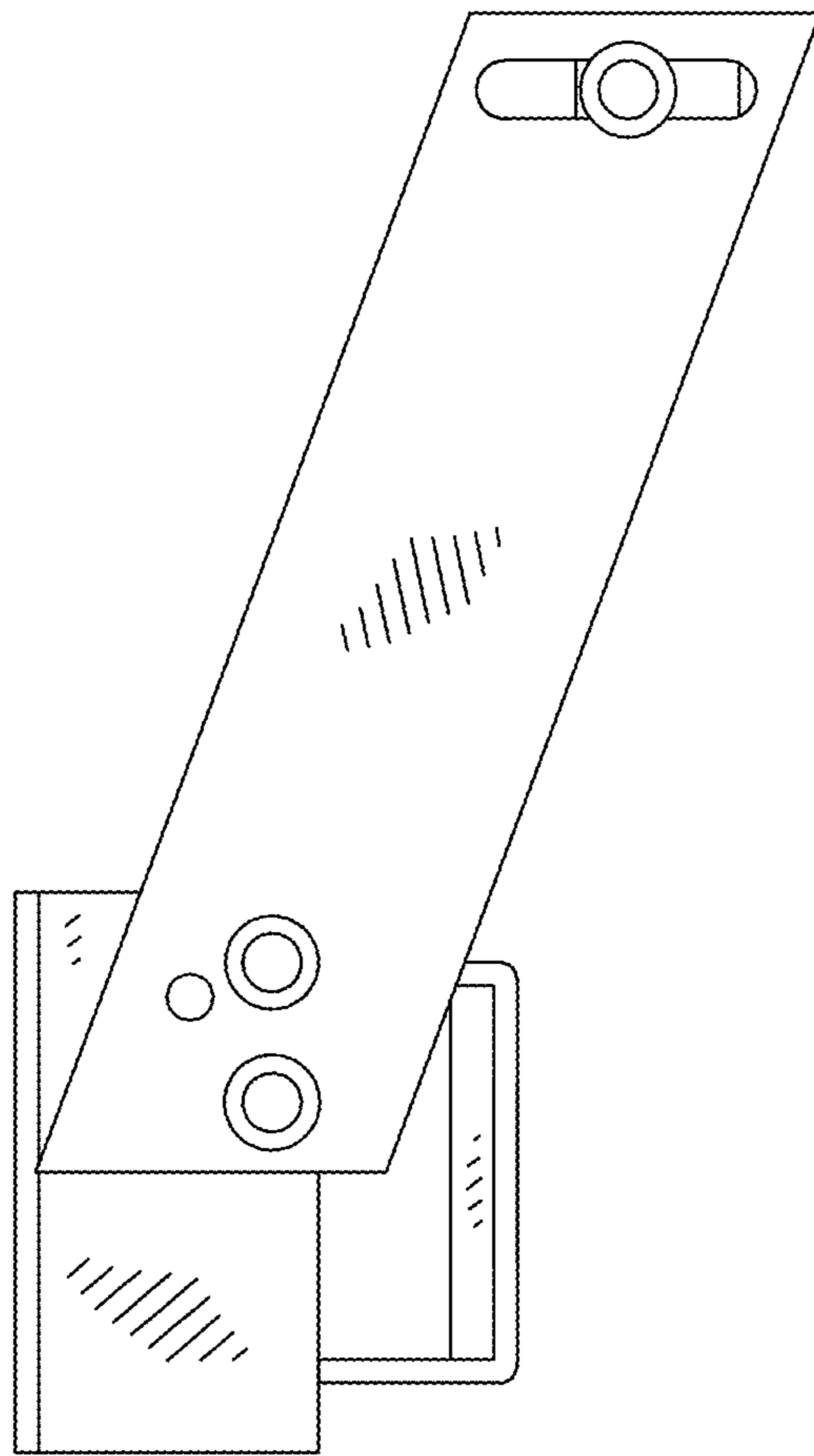


FIGURE 4

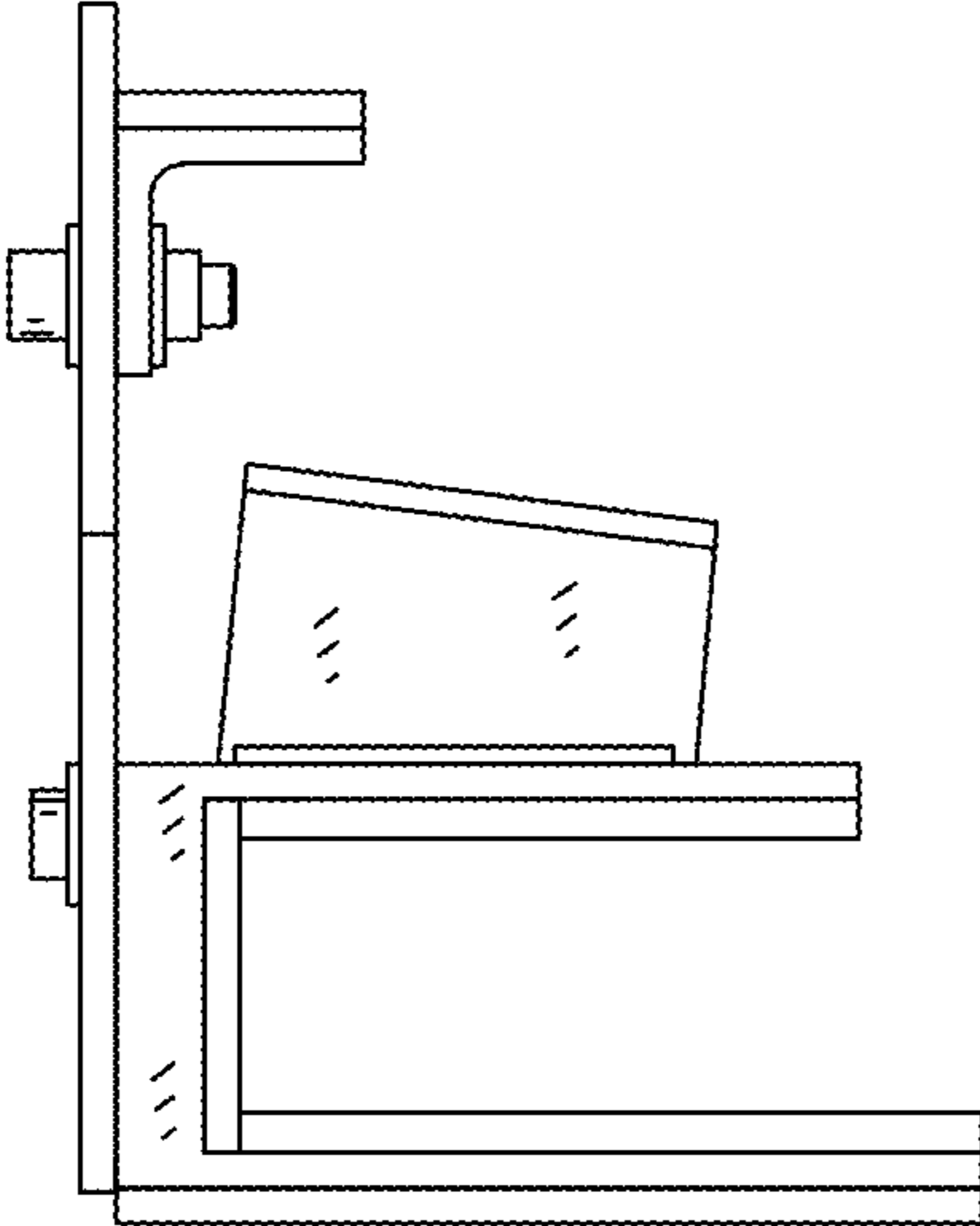


FIGURE 5

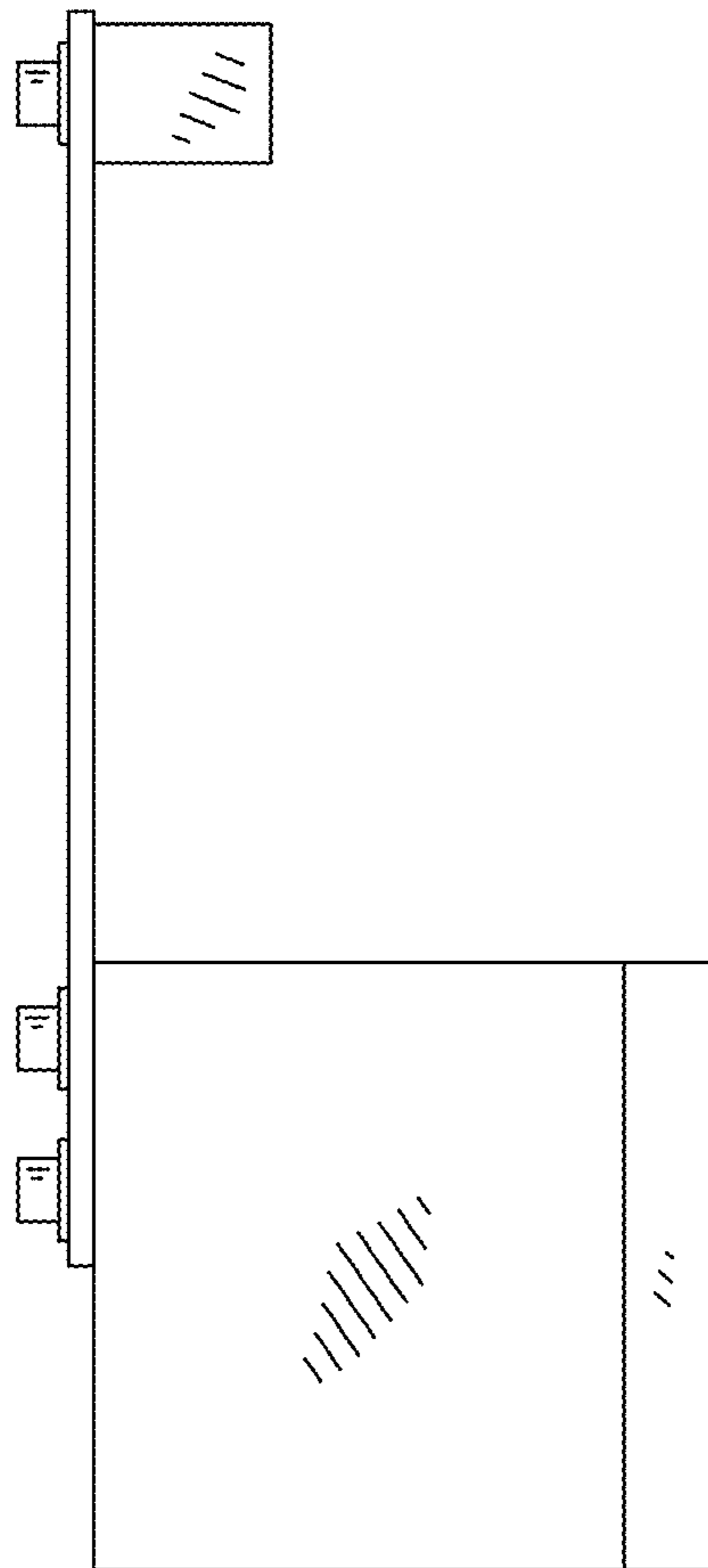


FIGURE 6

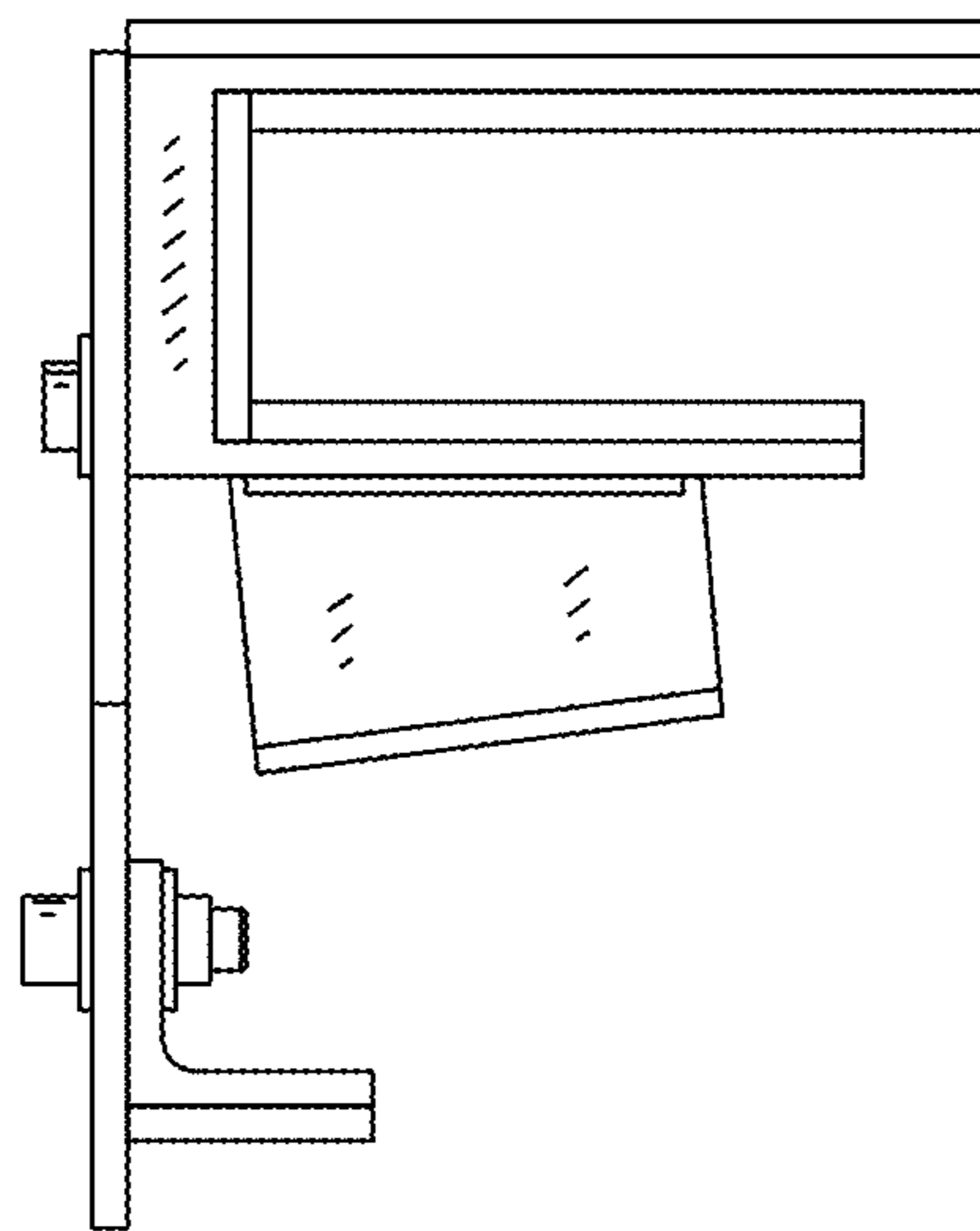


FIGURE 7

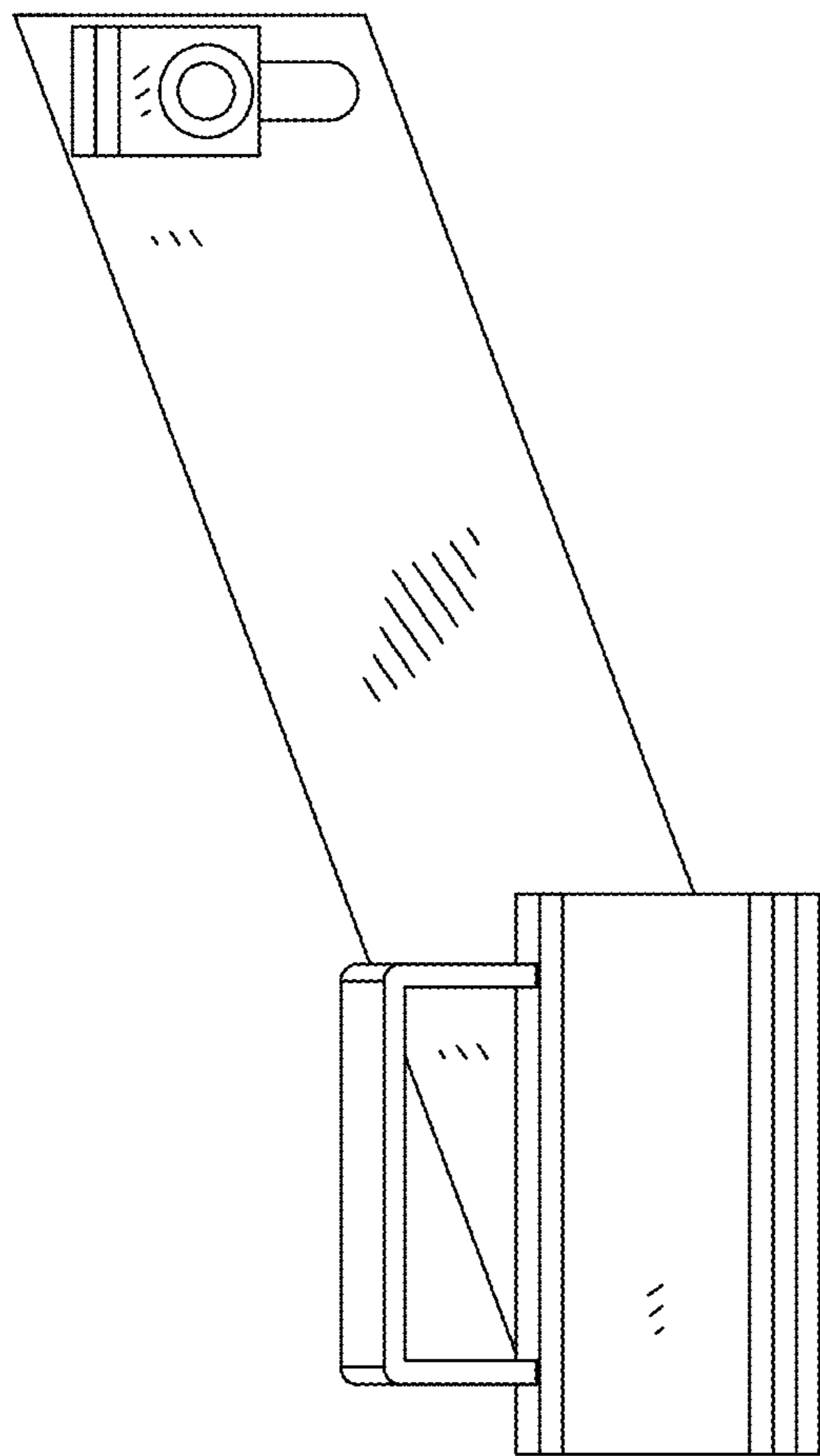


FIGURE 8