



US00D797396S

(12) **United States Design Patent** (10) **Patent No.:** **US D797,396 S**
Bettcher, III et al. (45) **Date of Patent:** **** Sep. 12, 2017**

(54) **VEHICLE LIFT PLATFORM**
(71) Applicant: **The Braun Corporation**, Winamac, IN (US)
(72) Inventors: **Robert E. Bettcher, III**, Winamac, IN (US); **Justin M. Kline**, Westfield, IN (US); **Steven Visser**, West Lafayette, IN (US); **Yingxiao Cao**, West Lafayette, IN (US)
(73) Assignee: **The Braun Corporation**, Winamac, IN (US)
(**) Term: **15 Years**
(21) Appl. No.: **29/566,180**
(22) Filed: **May 27, 2016**
(51) **LOC (10) Cl.** **12-05**
(52) **U.S. Cl.**
USPC **D34/31**
(58) **Field of Classification Search**
USPC D34/31, 32, 28; 187/211, 269; 254/122, 254/89 R, 8, 10, 88, 89 H, 92; 182/141,
(Continued)

(56) **References Cited**

U.S. PATENT DOCUMENTS

D307,813 S * 5/1990 Isogai D34/31
D310,747 S * 9/1990 Isogai D34/31
(Continued)

OTHER PUBLICATIONS

Braunability "Century Series™ Lift", <https://www.braunability.com/wheelchair-lifts/>. Dec. 31, 2016. shown in p. 1, Item # N/A.*

Primary Examiner — Susan E Krakower
Assistant Examiner — Michael Maharajh
(74) *Attorney, Agent, or Firm* — Taft, Stettinius & Hollister, LLP; Ryan O. White

(57) **CLAIM**

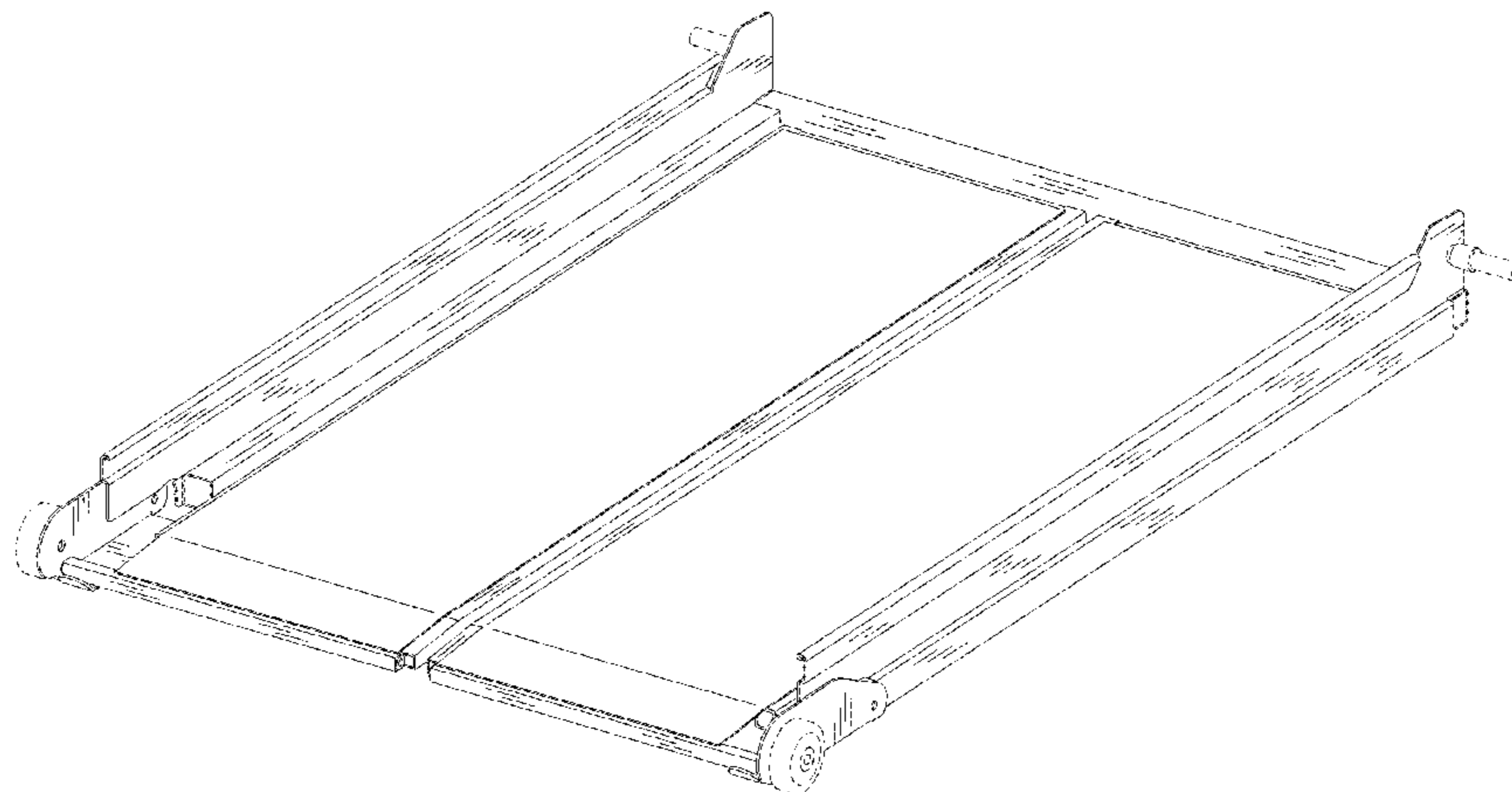
The ornamental design for the vehicle lift platform, as shown and described.

DESCRIPTION

FIG. 1 is a front perspective view showing a first embodiment of a vehicle lift platform, showing our new design.

FIG. 2 is a top view of the vehicle lift platform of FIG. 1. FIG. 3 is a bottom view of the vehicle lift platform of FIG. 1.
FIG. 4 is a front view of the vehicle lift platform of FIG. 1. FIG. 5 is a front perspective view, showing a second embodiment.
FIG. 6 is a left side view of the vehicle lift platform of FIG. 5.
FIG. 7 is a right side view of the vehicle lift platform of FIG. 5.
FIG. 8 is a rear view of the vehicle lift platform of FIG. 5. FIG. 9 is a front view of the vehicle lift platform of FIG. 5. FIG. 10 is a front perspective view, showing a third embodiment.
FIG. 11 is a rear view of the vehicle lift platform of FIG. 10. FIG. 12 is a front view of the vehicle lift platform of FIG. 10.
FIG. 13 is a front perspective view, showing a fourth embodiment.
FIG. 14 is a left side view of the vehicle lift platform of FIG. 13.
FIG. 15 is a right side view of the vehicle lift platform of FIG. 13.
FIG. 16 is a rear view of the vehicle lift platform of FIG. 13. FIG. 17 is a front view of the vehicle lift platform of FIG. 13.
FIG. 18 is a front perspective view, showing a fifth embodiment.
FIG. 19 is a top view of the vehicle lift platform of FIG. 18. FIG. 20 is a bottom view of the vehicle lift platform of FIG. 18.
FIG. 21 is a left side view of the vehicle lift platform of FIG. 18.
FIG. 22 is a right side view of the vehicle lift platform of FIG. 18.
FIG. 23 is a rear view of the vehicle lift platform of FIG. 18; and,
FIG. 24 is a front view of the vehicle lift platform of FIG. 18.
The broken lines in the drawings depict portions of the vehicle lift platform that form no part of the claimed design.

1 Claim, 17 Drawing Sheets



(58) **Field of Classification Search**

USPC 182/148; 414/540, 541, 558, 921, 537;
14/71.1, 71.3; D12/52, 106, 133

CPC B62B 2203/10; B62B 3/02; B66F 1/00;
B66F 3/00; B66F 5/00

See application file for complete search history.

(56) **References Cited**

U.S. PATENT DOCUMENTS

5,382,130 A * 1/1995 Kempf A61G 3/06
14/71.3
5,542,811 A * 8/1996 Vartanian A61G 3/06
414/541
7,533,432 B2 * 5/2009 Morris A61G 3/061
14/71.3
8,250,693 B1 * 8/2012 Johnson B60P 1/433
14/71.1
8,375,496 B1 * 2/2013 Johnson B60P 1/433
14/71.3
8,438,683 B1 * 5/2013 Morris A61G 3/061
14/71.1
8,533,884 B1 * 9/2013 Johnson 14/71.1
8,578,536 B1 * 11/2013 Morris B60P 1/433
14/71.1
8,635,729 B1 * 1/2014 Johnson A61G 3/061
14/71.3
2001/0036397 A1 * 11/2001 Pierrou B60P 1/4471
414/540

* cited by examiner

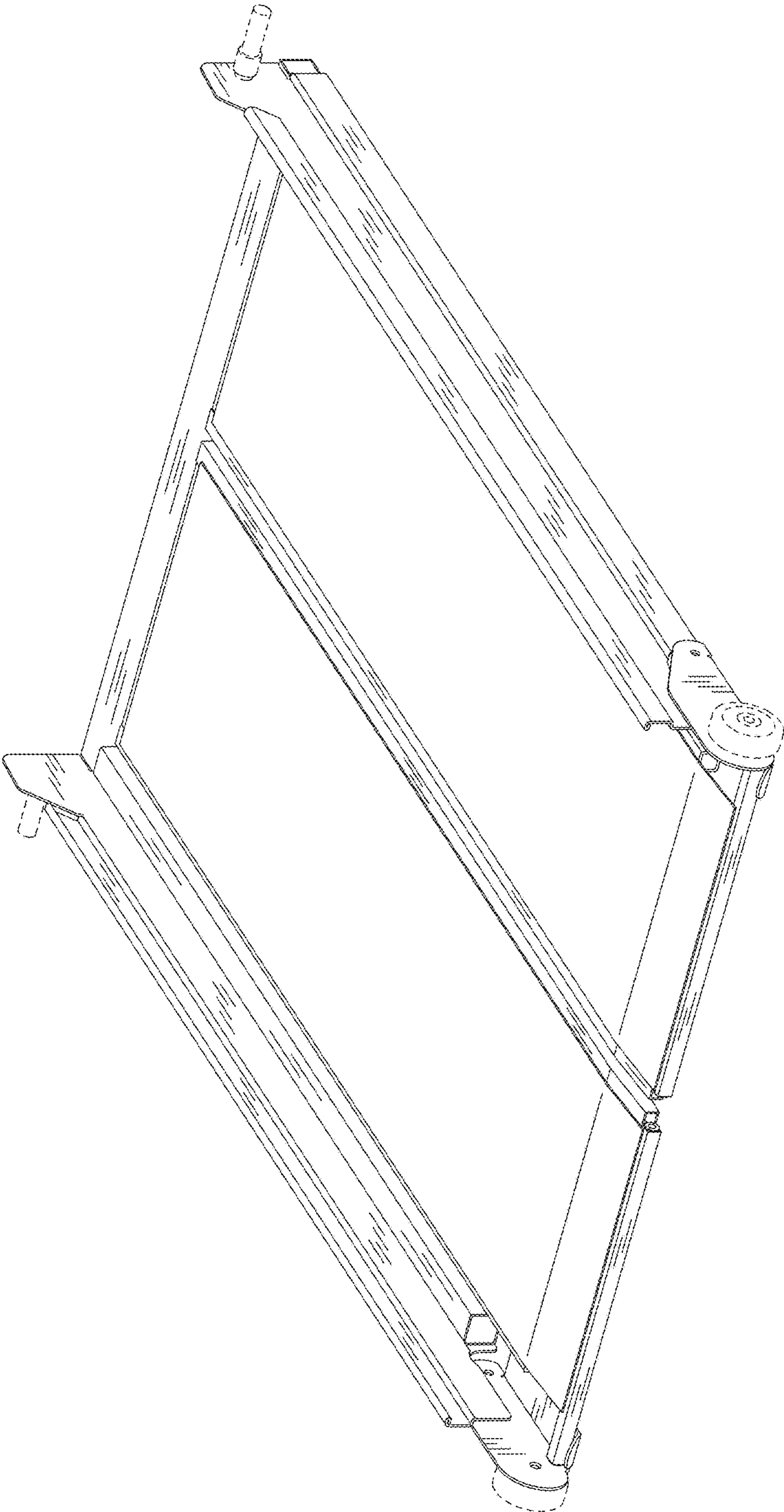


Fig. 1

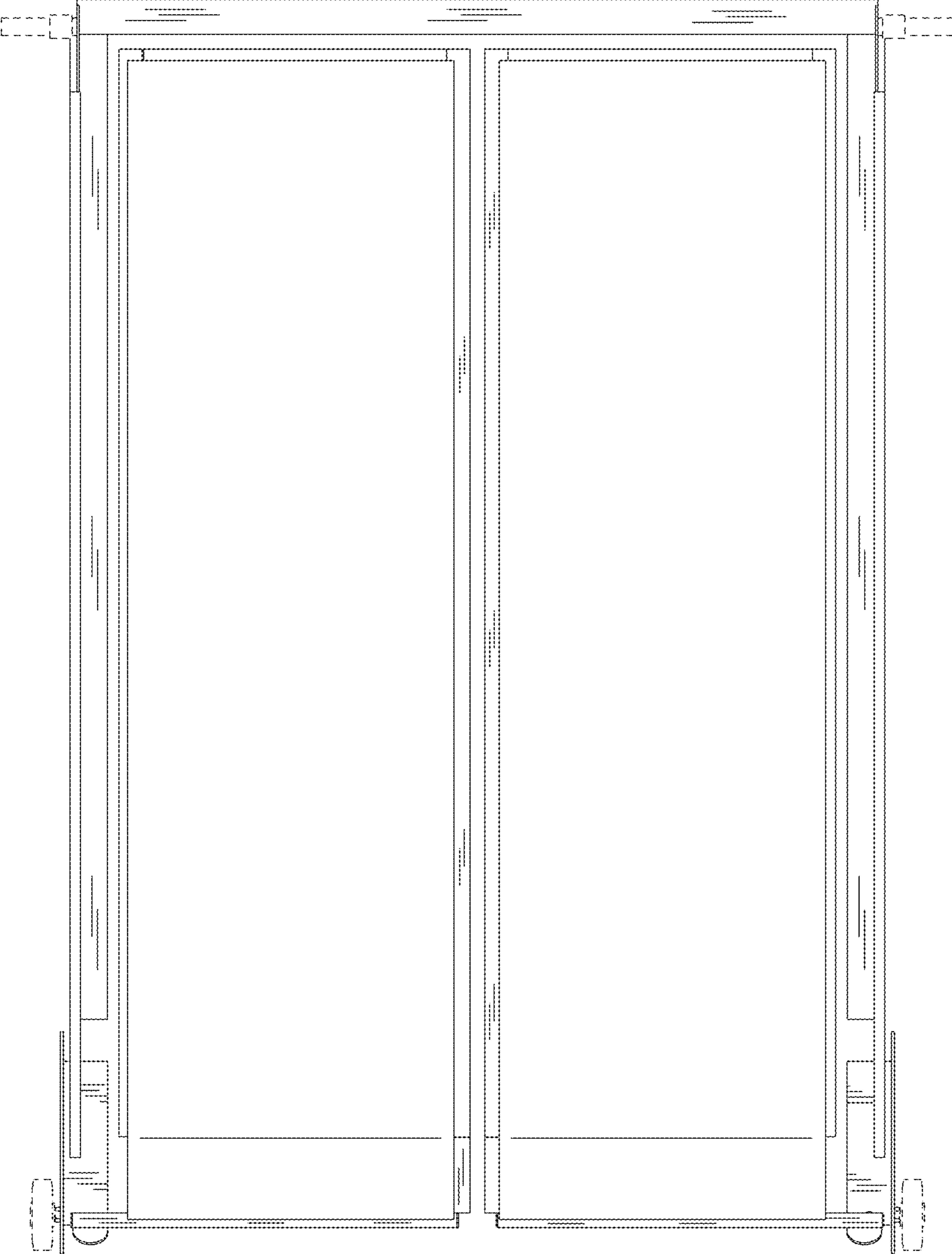


Fig. 2

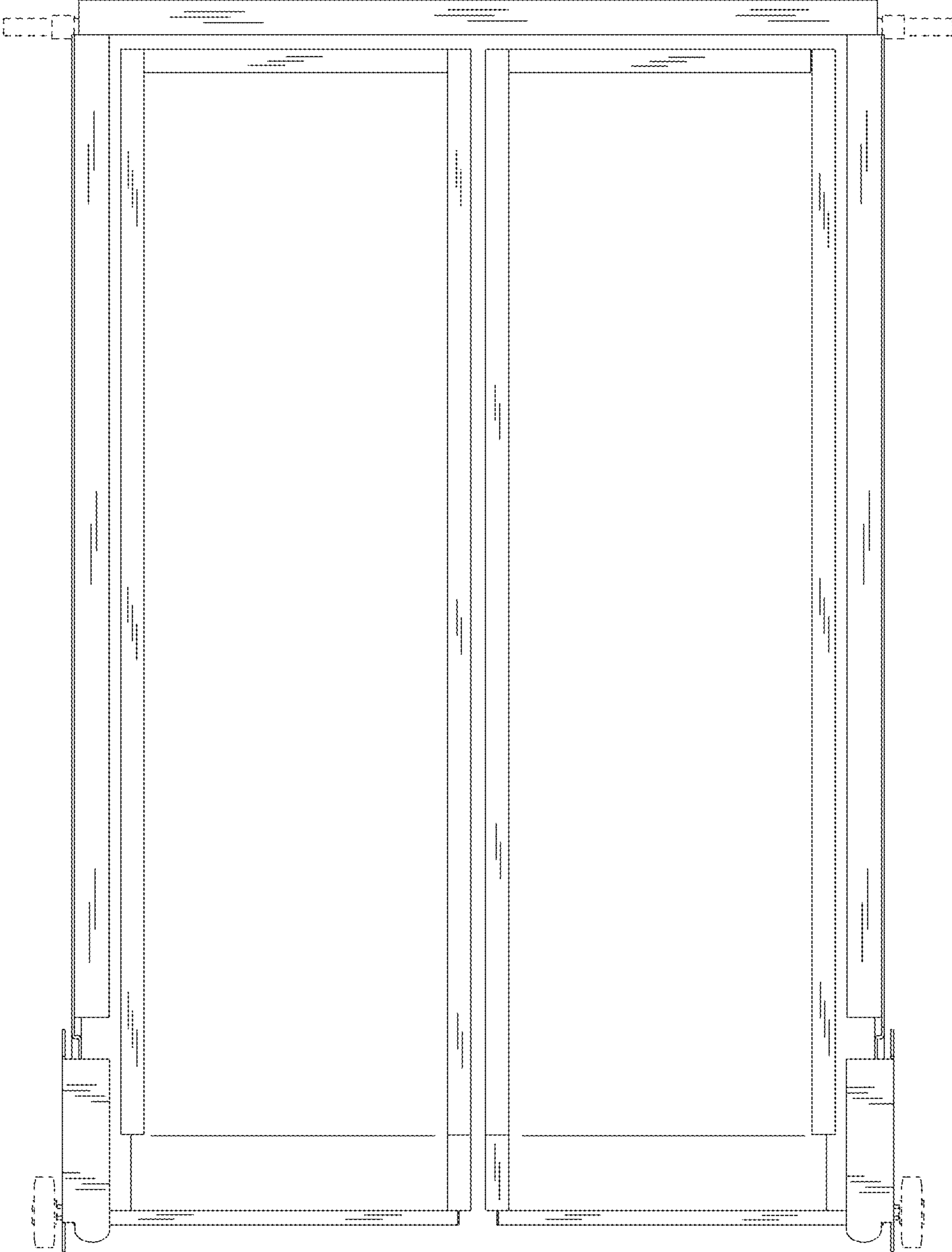


Fig. 3

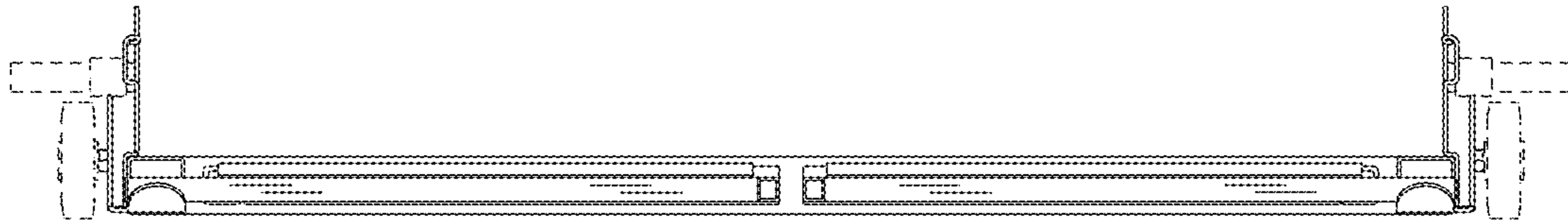


Fig. 4

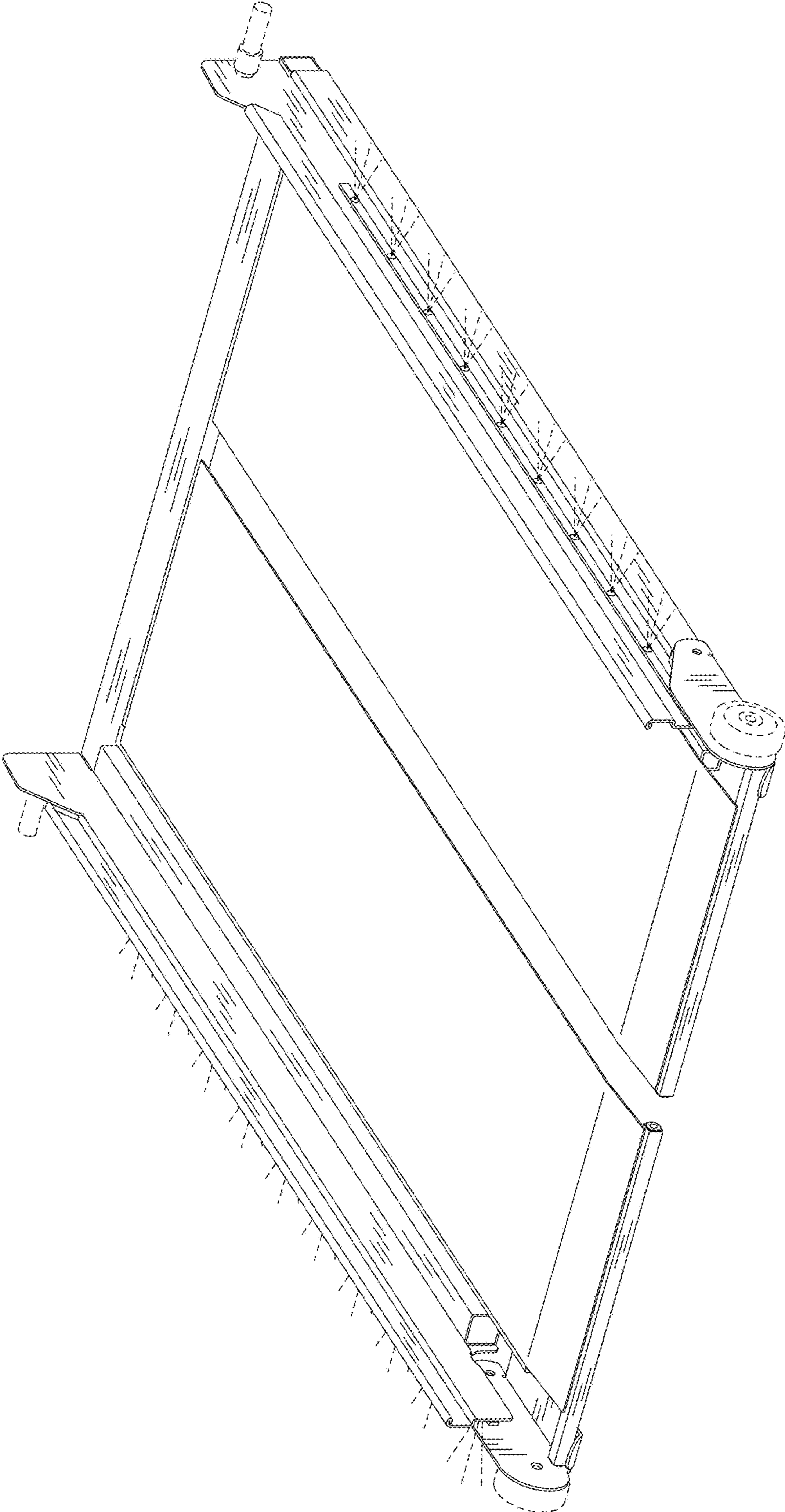


Fig. 5

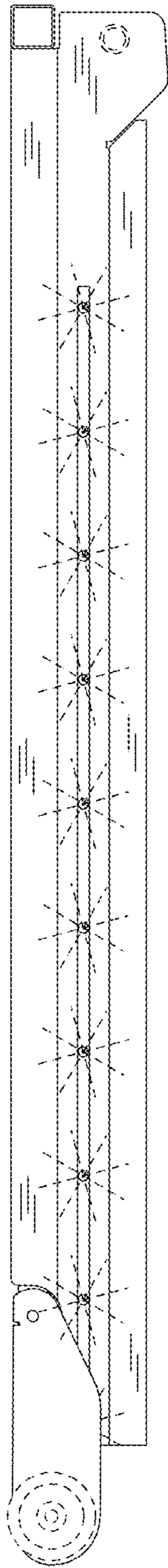


Fig. 6

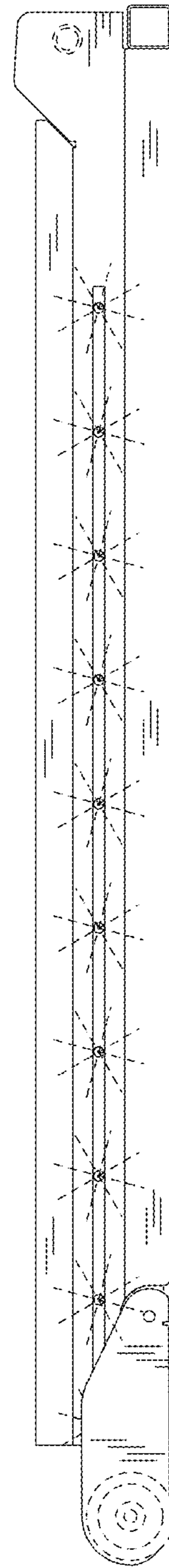


Fig. 7

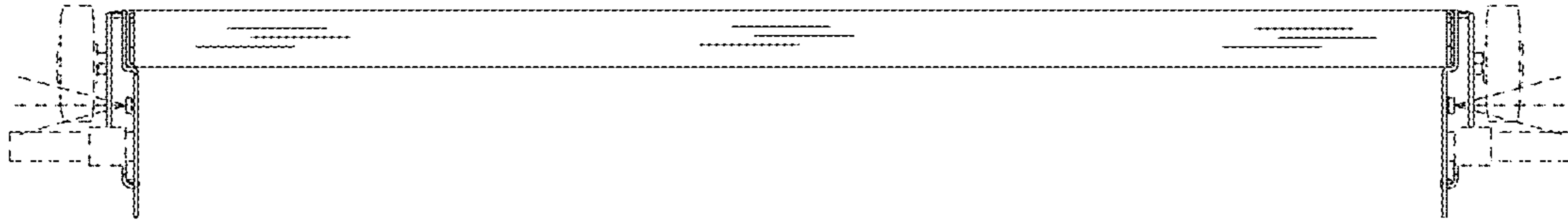


Fig. 8

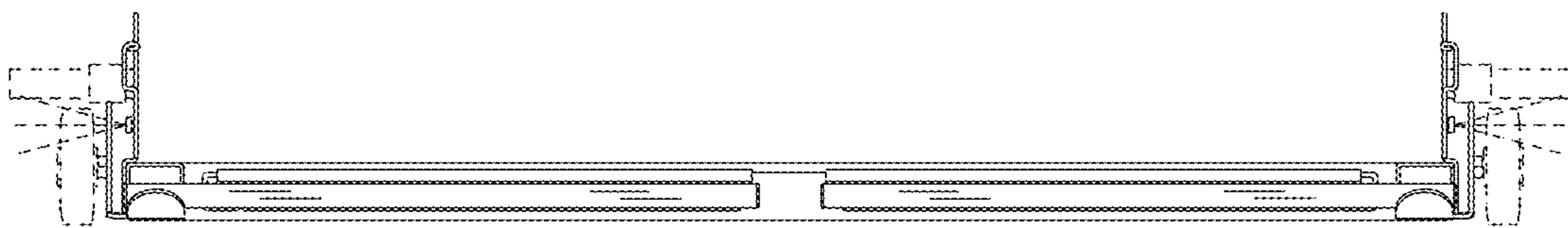


Fig. 9

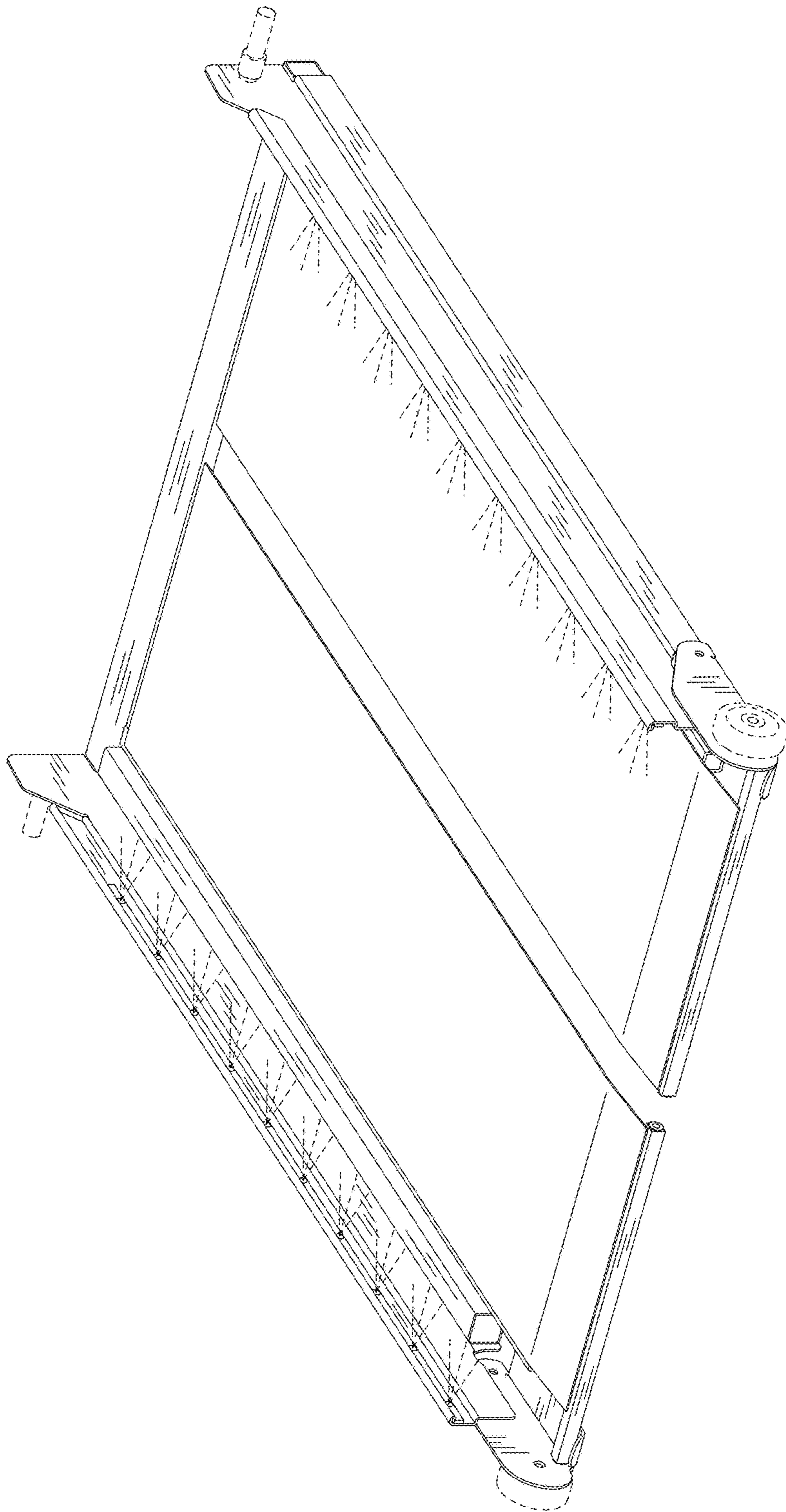


Fig. 10

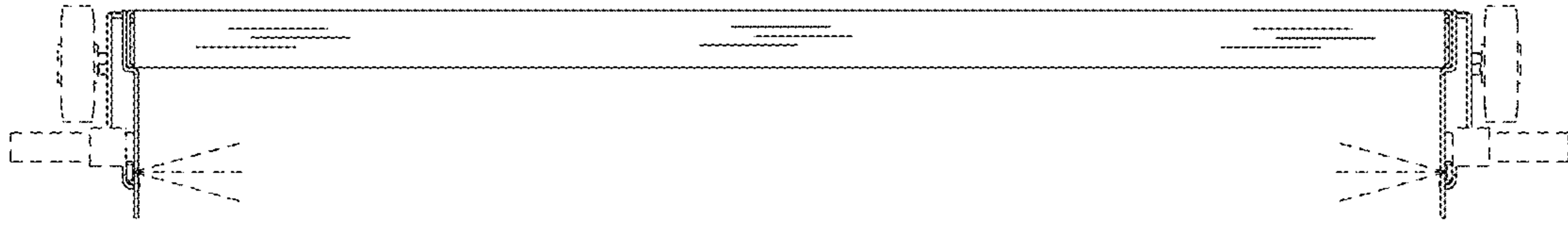


Fig. 11

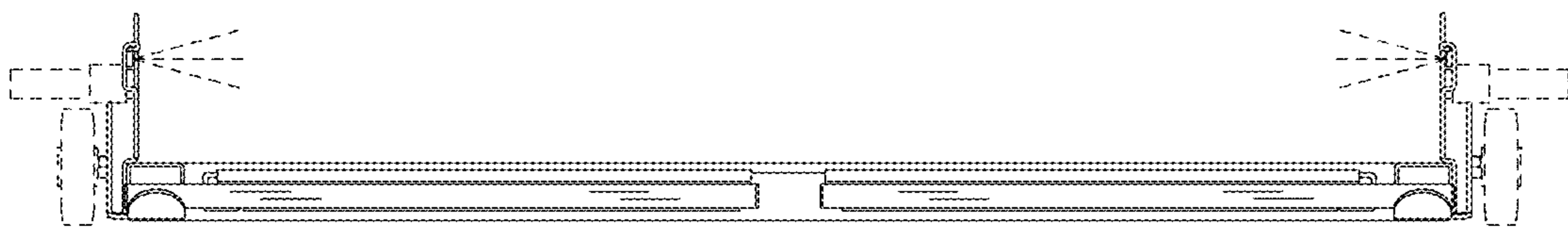


Fig. 12

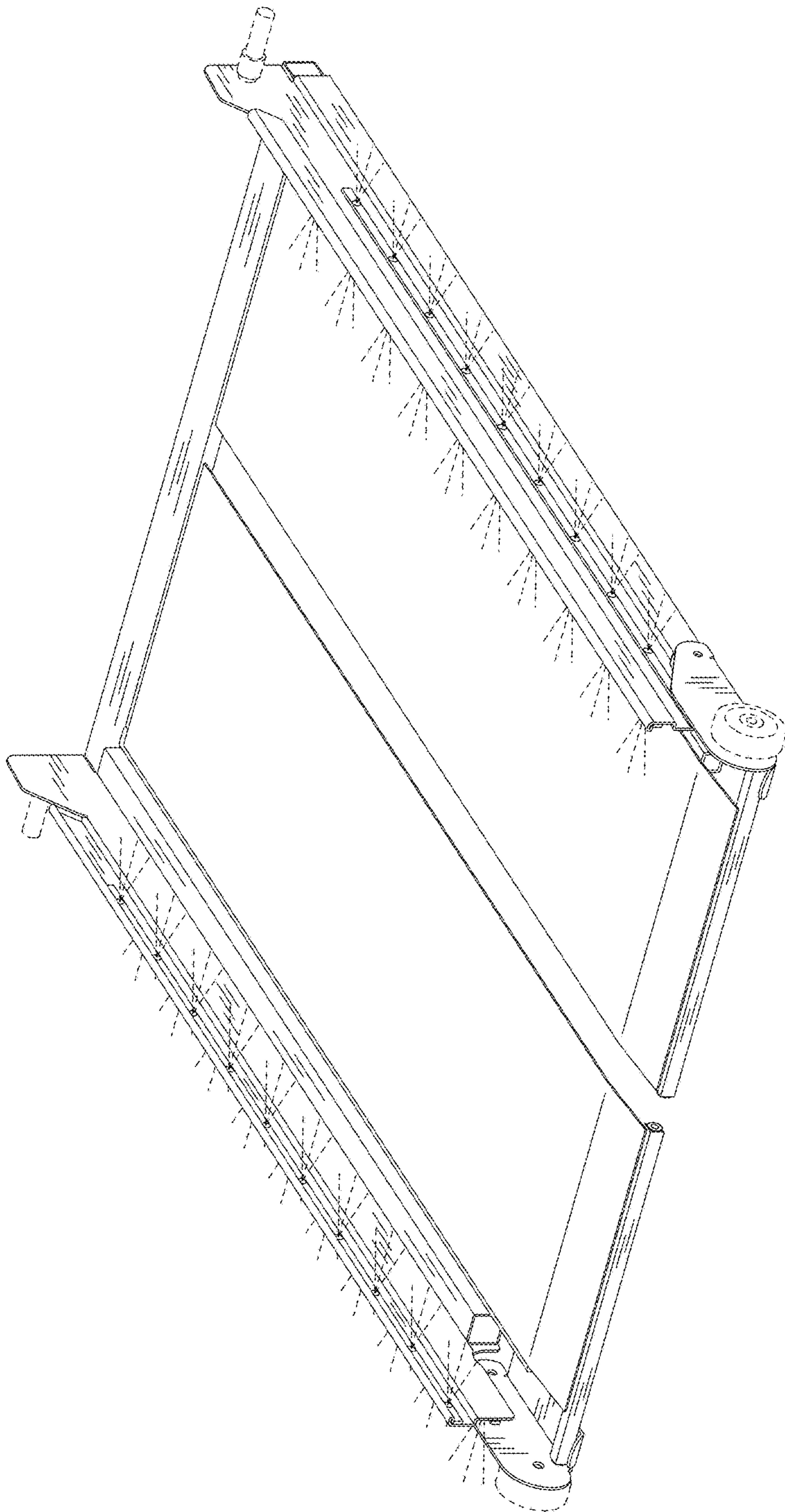


Fig. 13

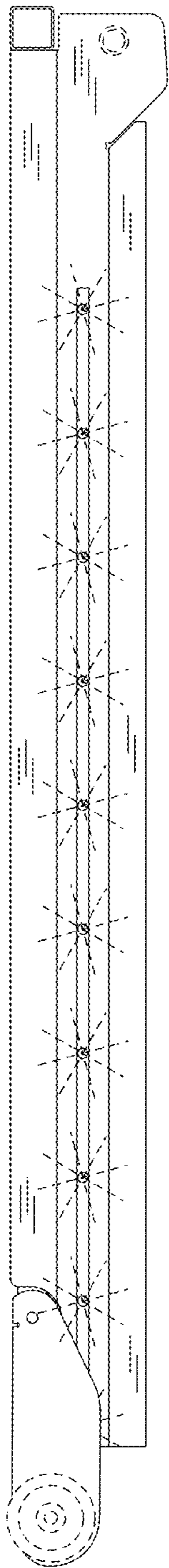


Fig. 14

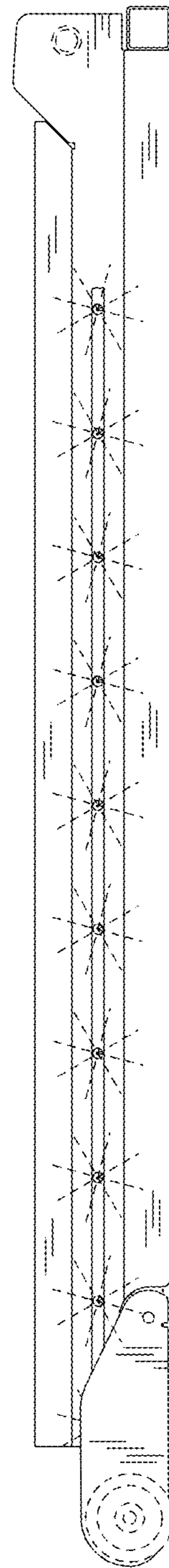


Fig. 15

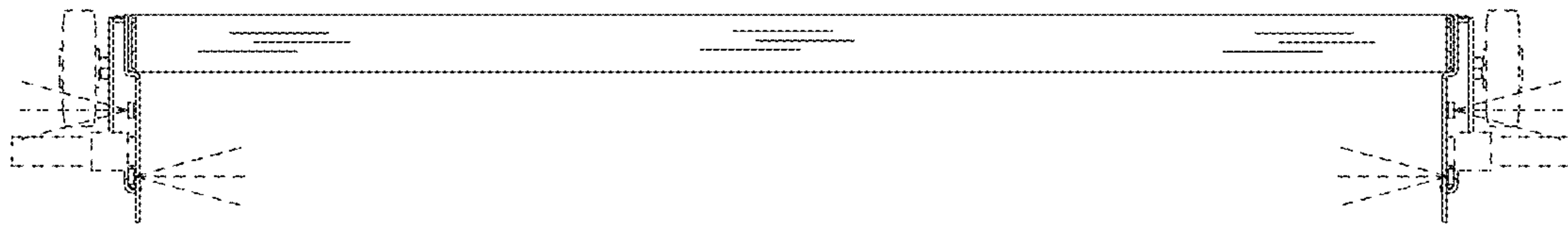


Fig. 16

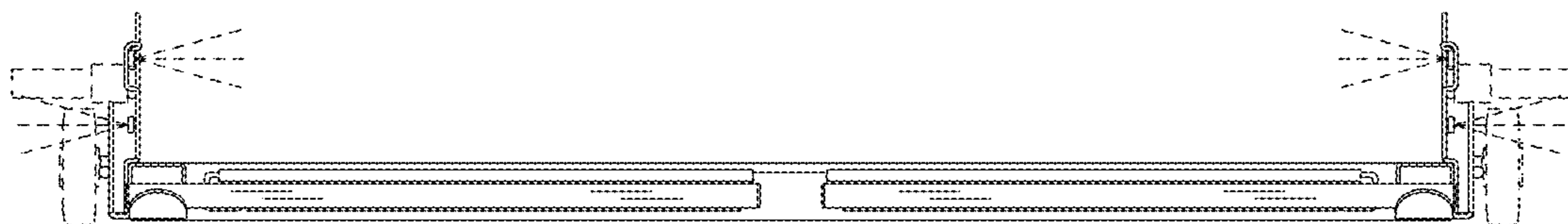


Fig. 17

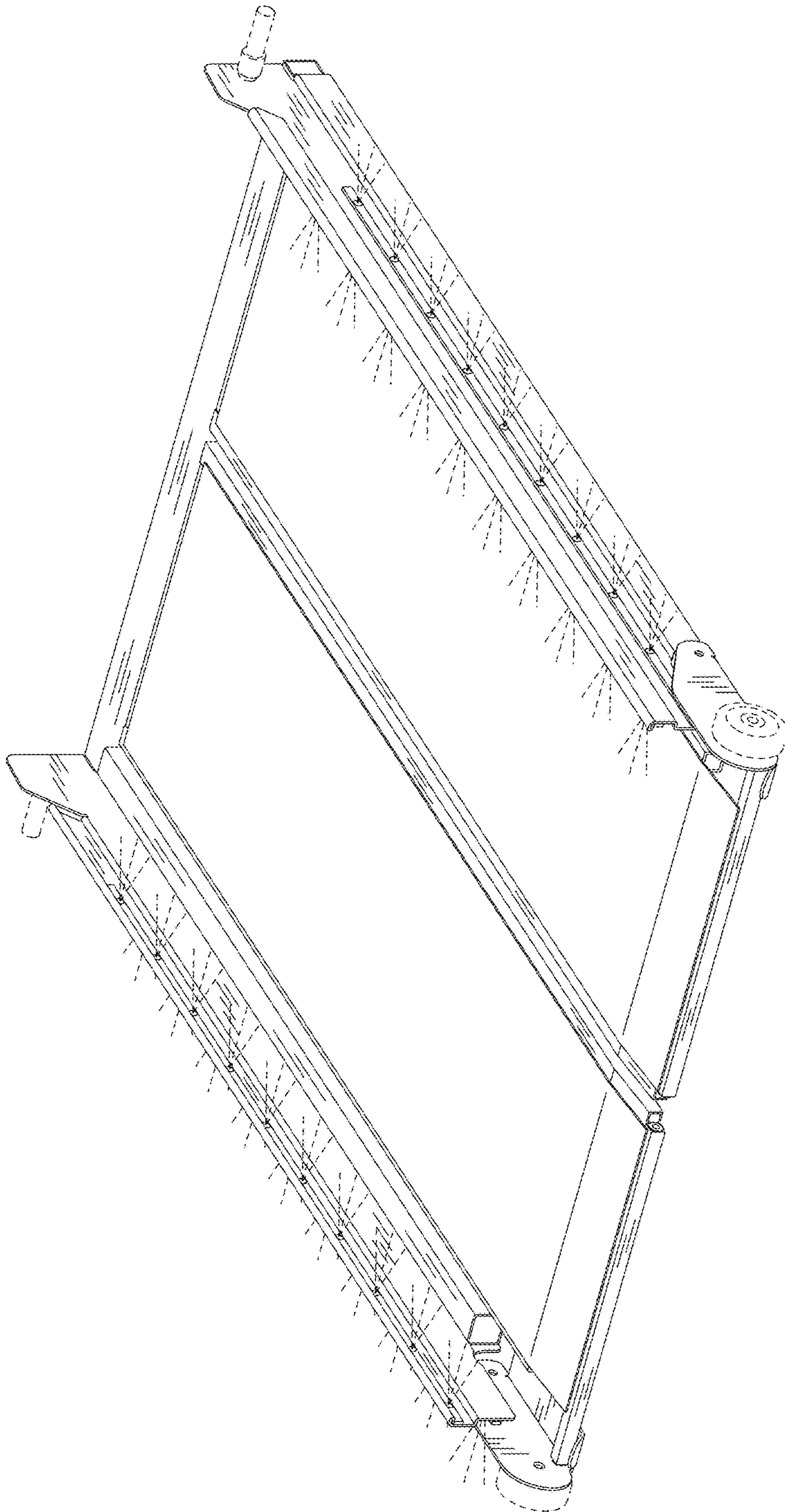


Fig. 18

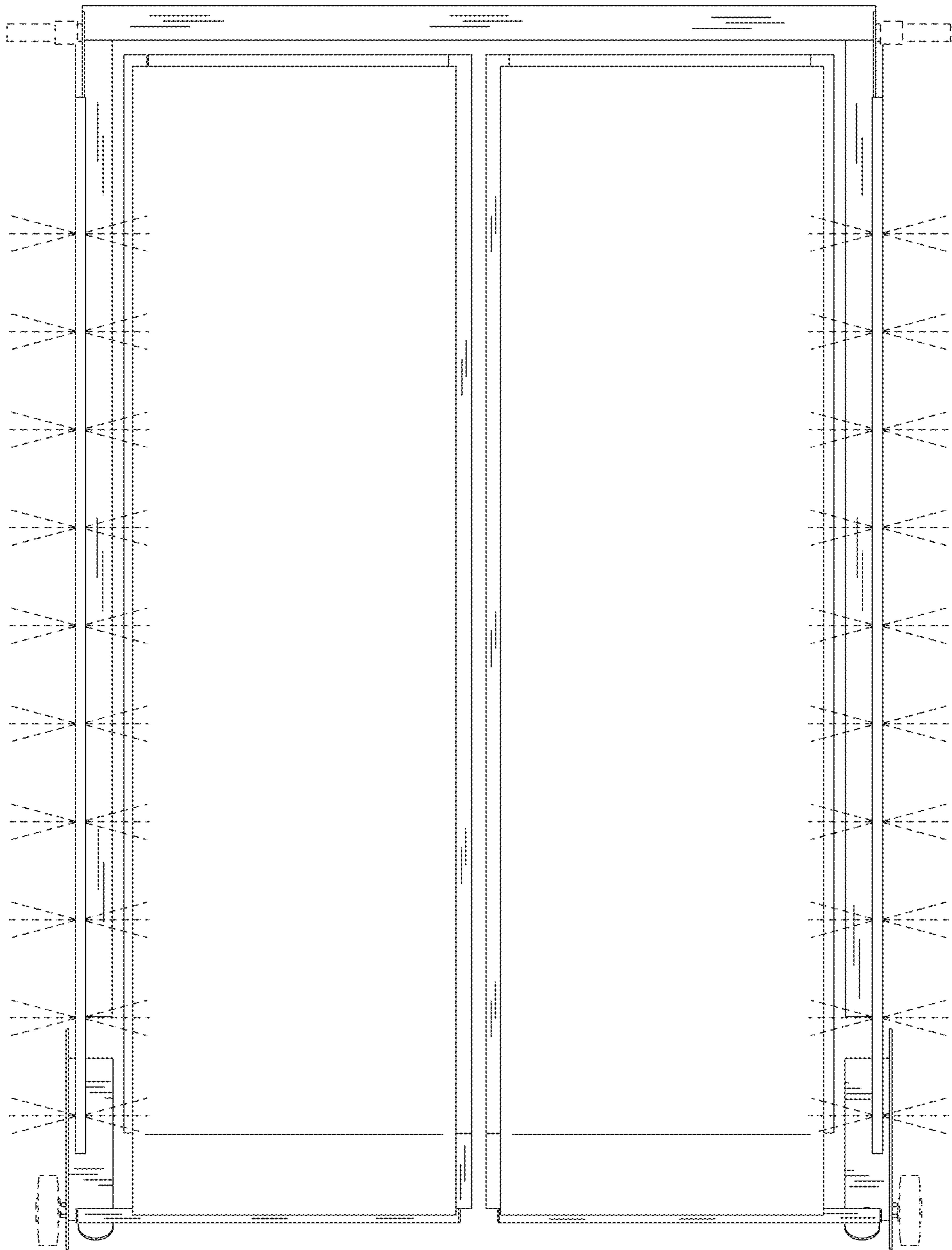


Fig. 19

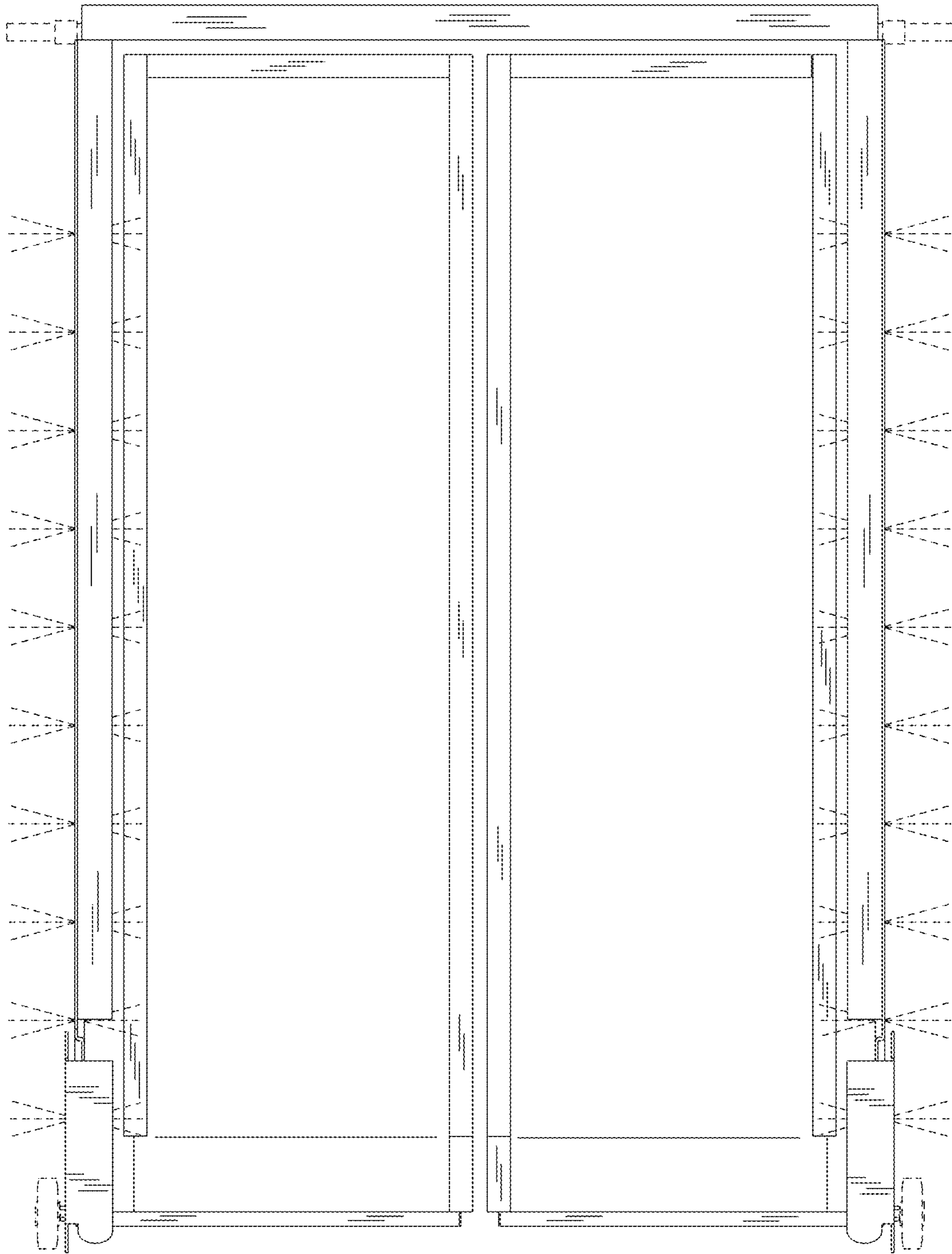


Fig. 20

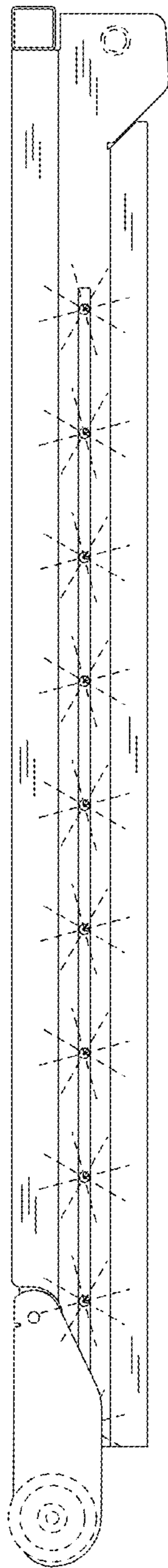


Fig. 21

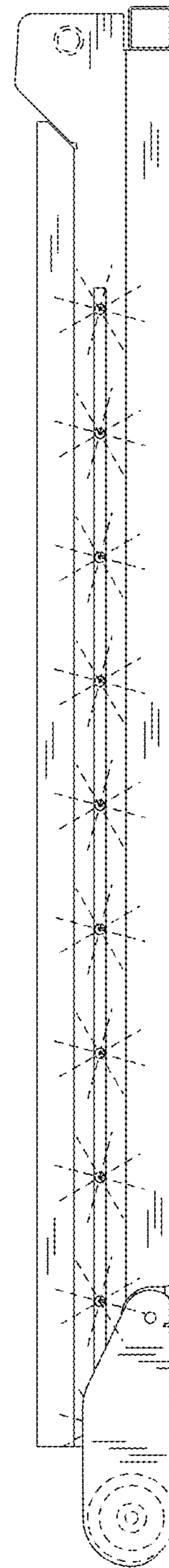


Fig. 22

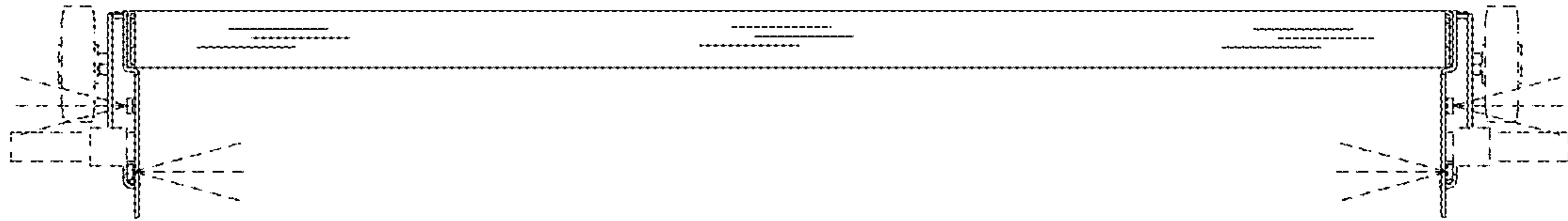


Fig. 23

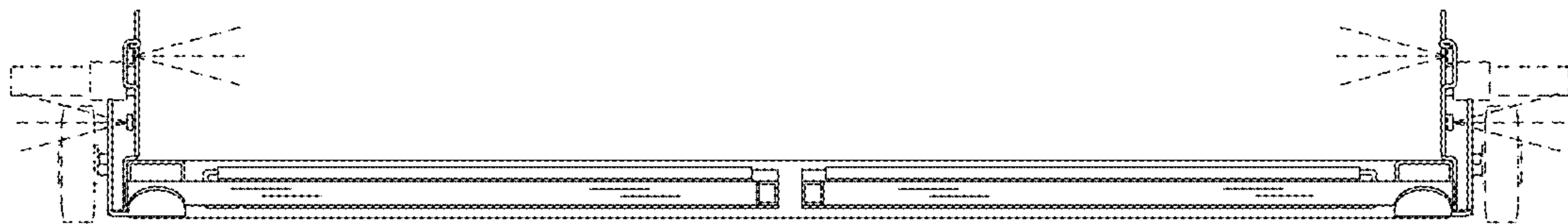


Fig. 24