



US00D797395S

(12) **United States Design Patent**
Gil Duarte Pereira

(10) **Patent No.:** **US D797,395 S**

(45) **Date of Patent:** **** Sep. 12, 2017**

(54) **SHOPPING BASKET**

(71) Applicant: **Joalpe Industria de Expositores S.A.**,
Tortosendo (PT)

(72) Inventor: **Maria da Conceicao Gil Duarte**
Pereira, Tortosendo (PT)

(73) Assignee: **JOALPE INDUSTRIA DE**
EXPOSITORES S.A., Tortosendo (PT)

(**) Term: **15 Years**

(21) Appl. No.: **29/538,145**

(22) Filed: **Sep. 1, 2015**

(30) **Foreign Application Priority Data**

Jul. 1, 2015 (EM) 002729442-0001

(51) **LOC (10) Cl.** **12-02**

(52) **U.S. Cl.**
USPC **D34/24**

(58) **Field of Classification Search**

USPC D34/12-27; 280/47.38, 47.19, 47.24,
280/47.26, 79.3, 641, 651, 47.34, 79.2

CPC B62B 2202/404; B65F 1/1468; B65F 1/18;
B65F 1/12; B65F 1/10; B65F 1/14; B65F
1/20

See application file for complete search history.

(56) **References Cited**

U.S. PATENT DOCUMENTS

D608,073 S * 1/2010 Alves D34/24
D631,222 S * 1/2011 Gimeno D34/24

D633,680 S * 3/2011 Gimeno D34/24
D649,730 S * 11/2011 Walter D34/14
D672,112 S * 12/2012 Bizzarri D34/24
D694,982 S * 12/2013 Overland D34/24
D715,512 S * 10/2014 Subiros Berenguer D34/24
2006/0103087 A1* 5/2006 Alcala Sebastian A47F 10/04
280/47.26

* cited by examiner

Primary Examiner — Cynthia Ramirez

(74) *Attorney, Agent, or Firm* — Lucas & Mercanti, LLP

(57) **CLAIM**

The ornamental design for a shopping basket, as shown and described.

DESCRIPTION

FIG. 1 is a side view of a shopping basket showing my new design;

FIG. 2 is a top view thereof;

FIG. 3 is a bottom view thereof;

FIG. 4 is a back view thereof;

FIG. 5 is a front perspective side view thereof;

FIG. 6 is a back perspective side view thereof; and,

FIG. 7 is a front view thereof.

The broken lines in FIG. 3 are for the purpose of illustrating portions of the shopping basket and form no part of the claimed design.

1 Claim, 7 Drawing Sheets

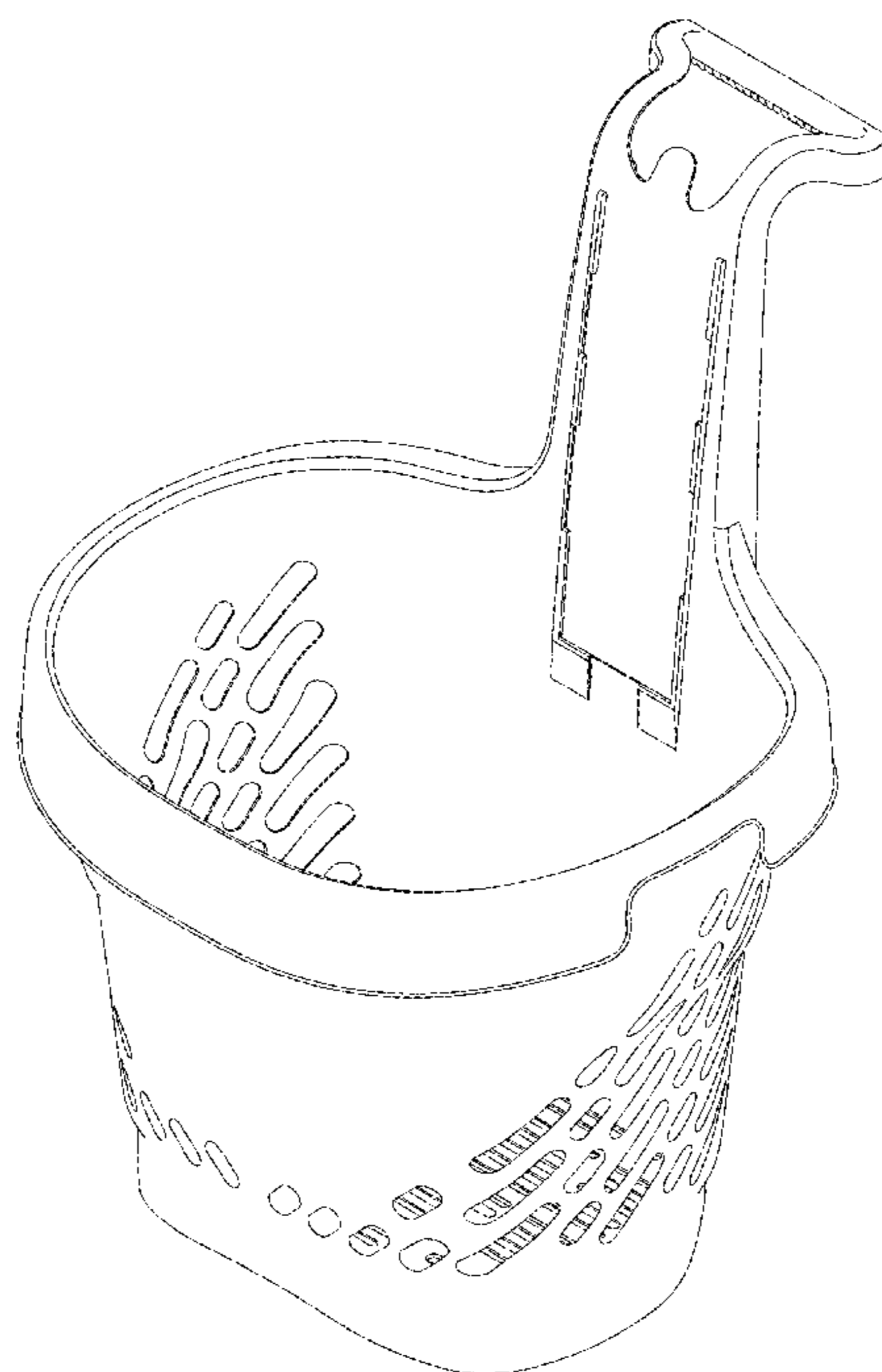
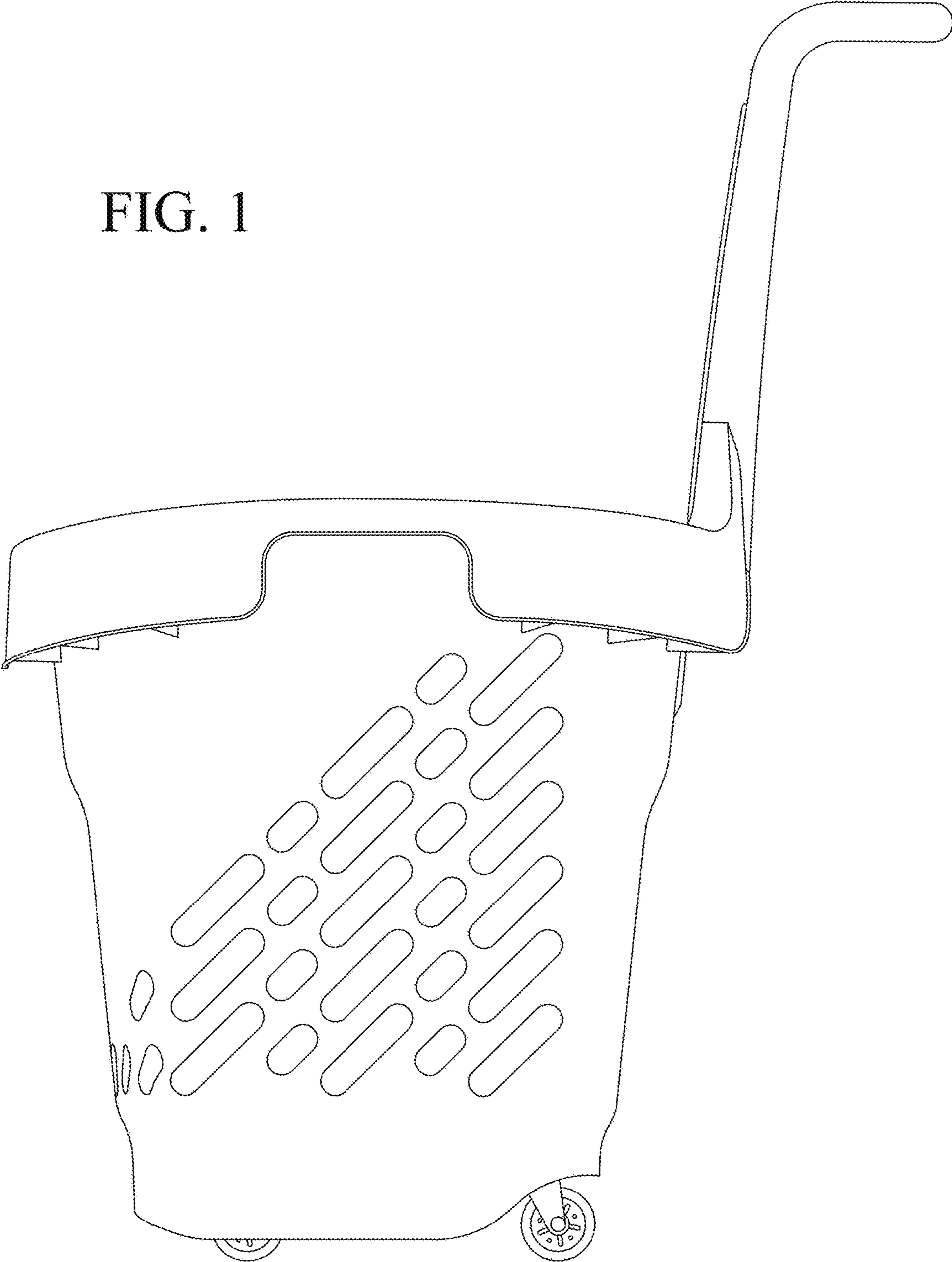


FIG. 1



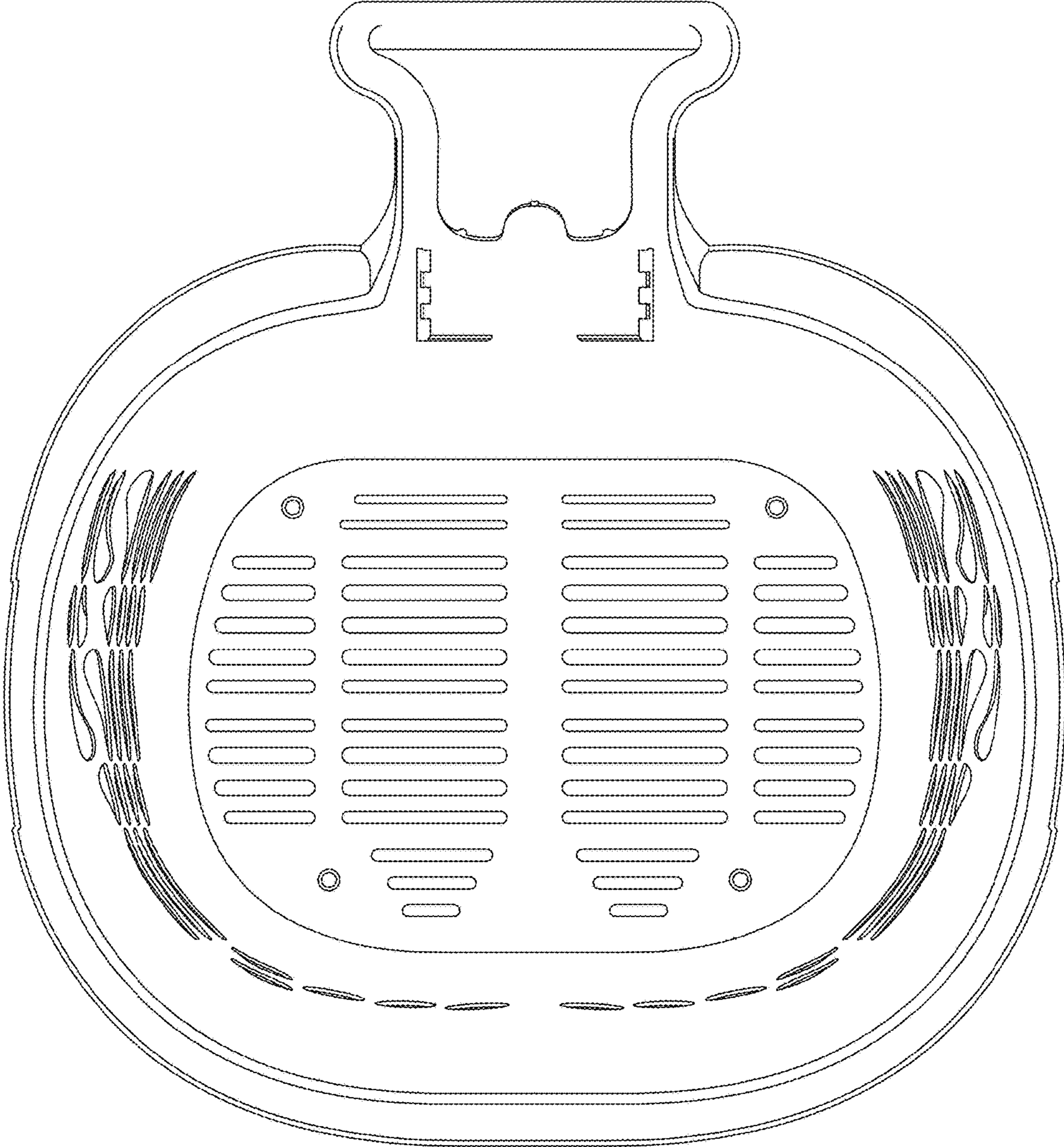


FIG. 2

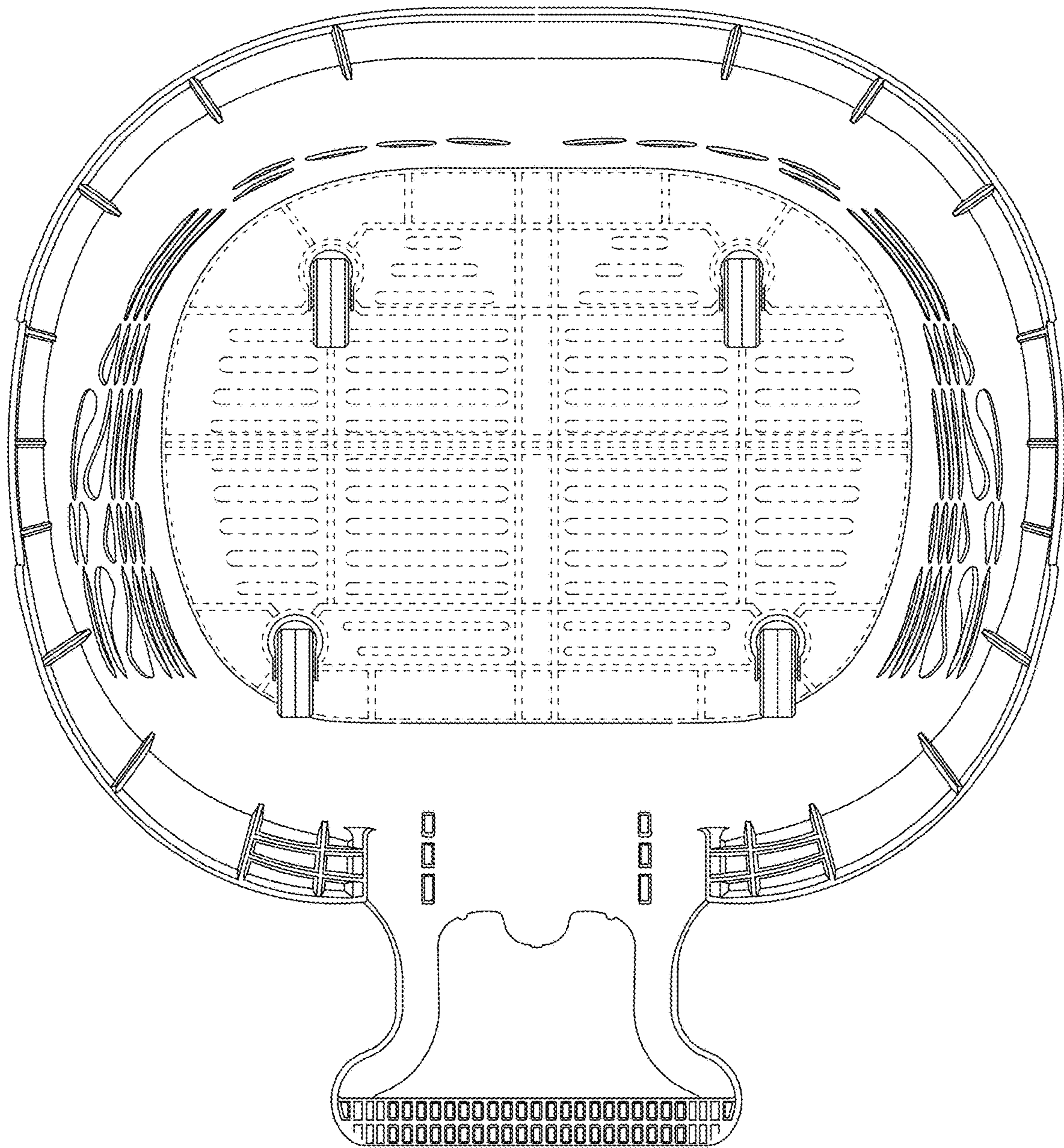


FIG. 3

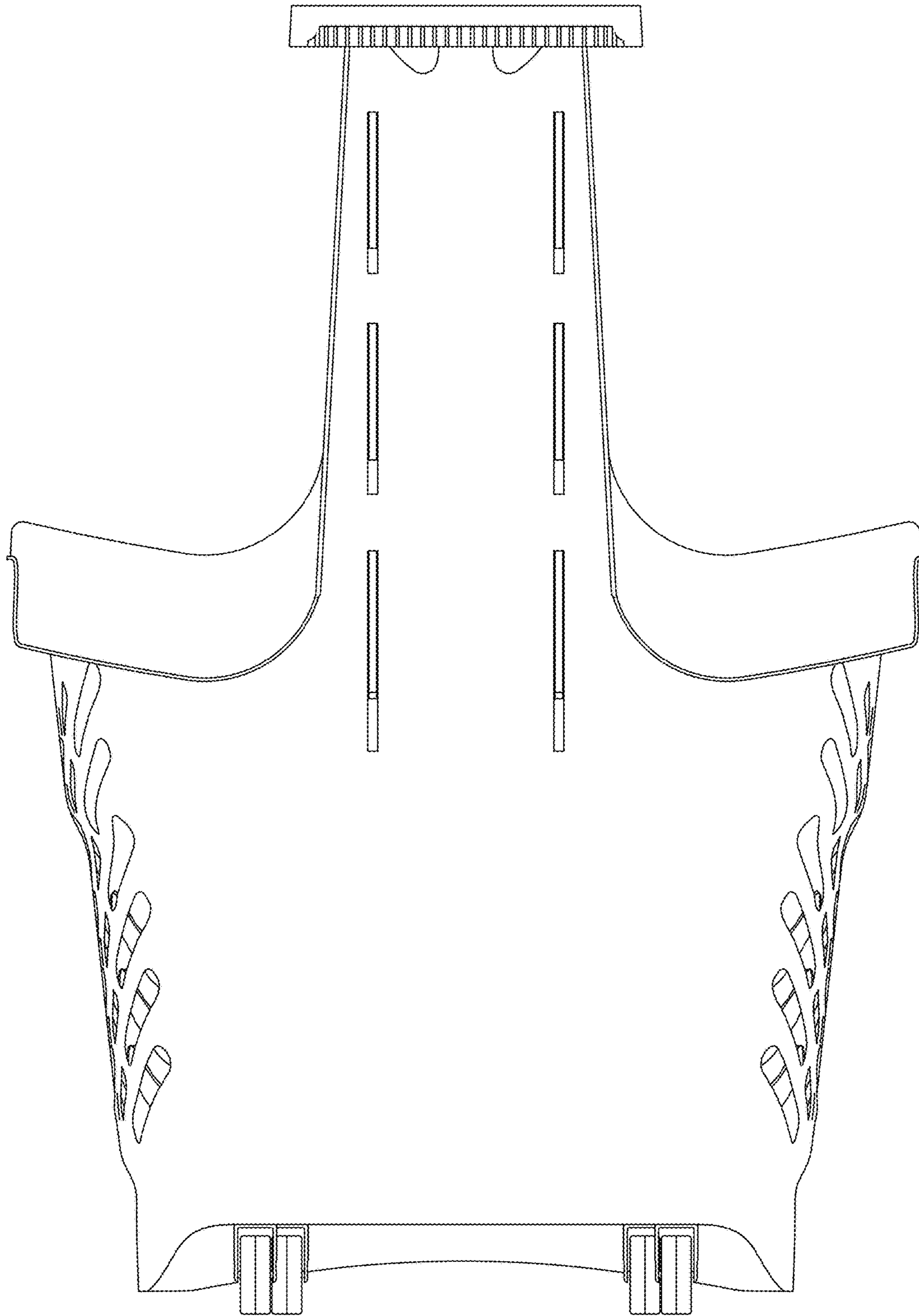
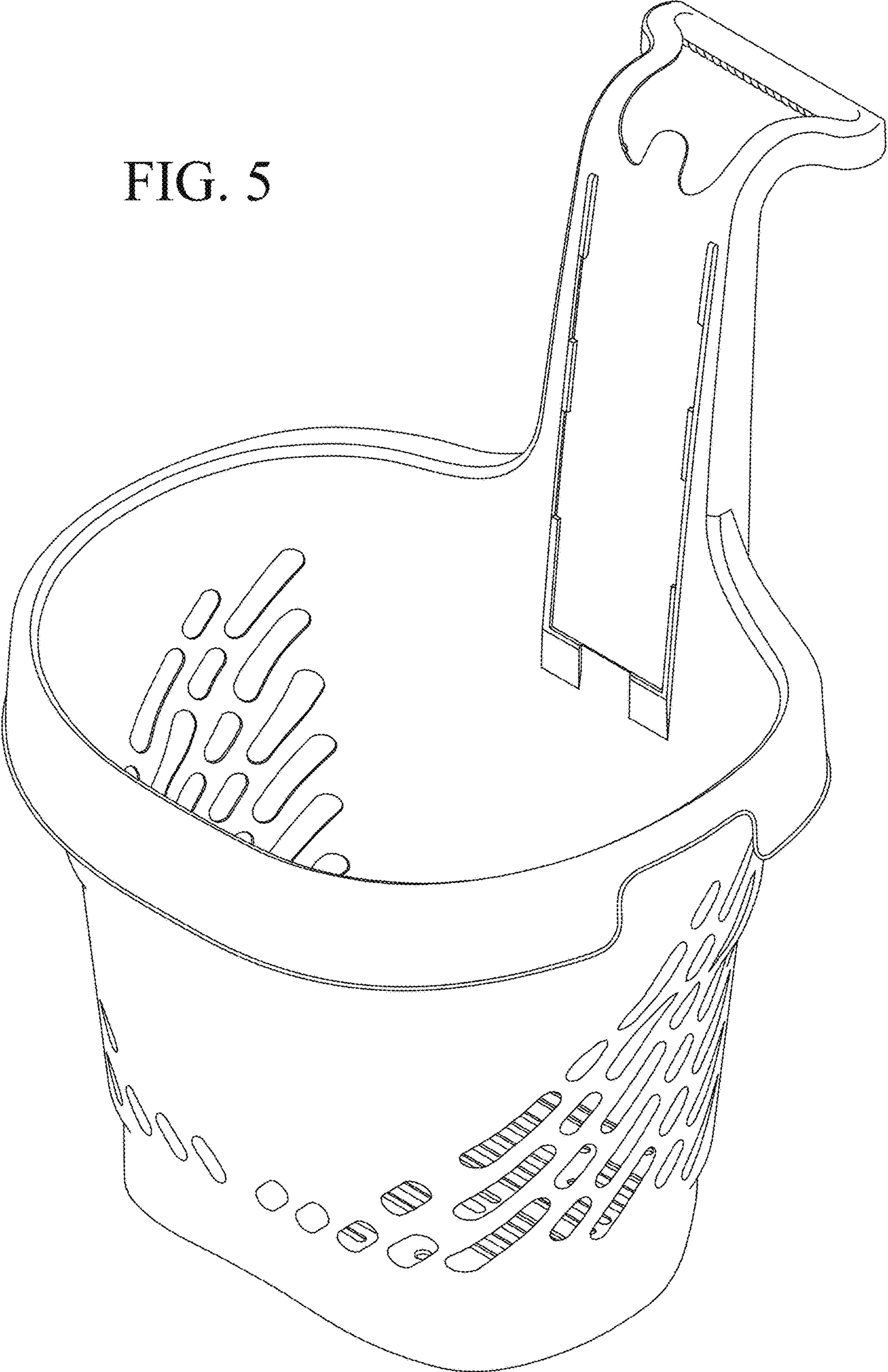


FIG. 4

FIG. 5



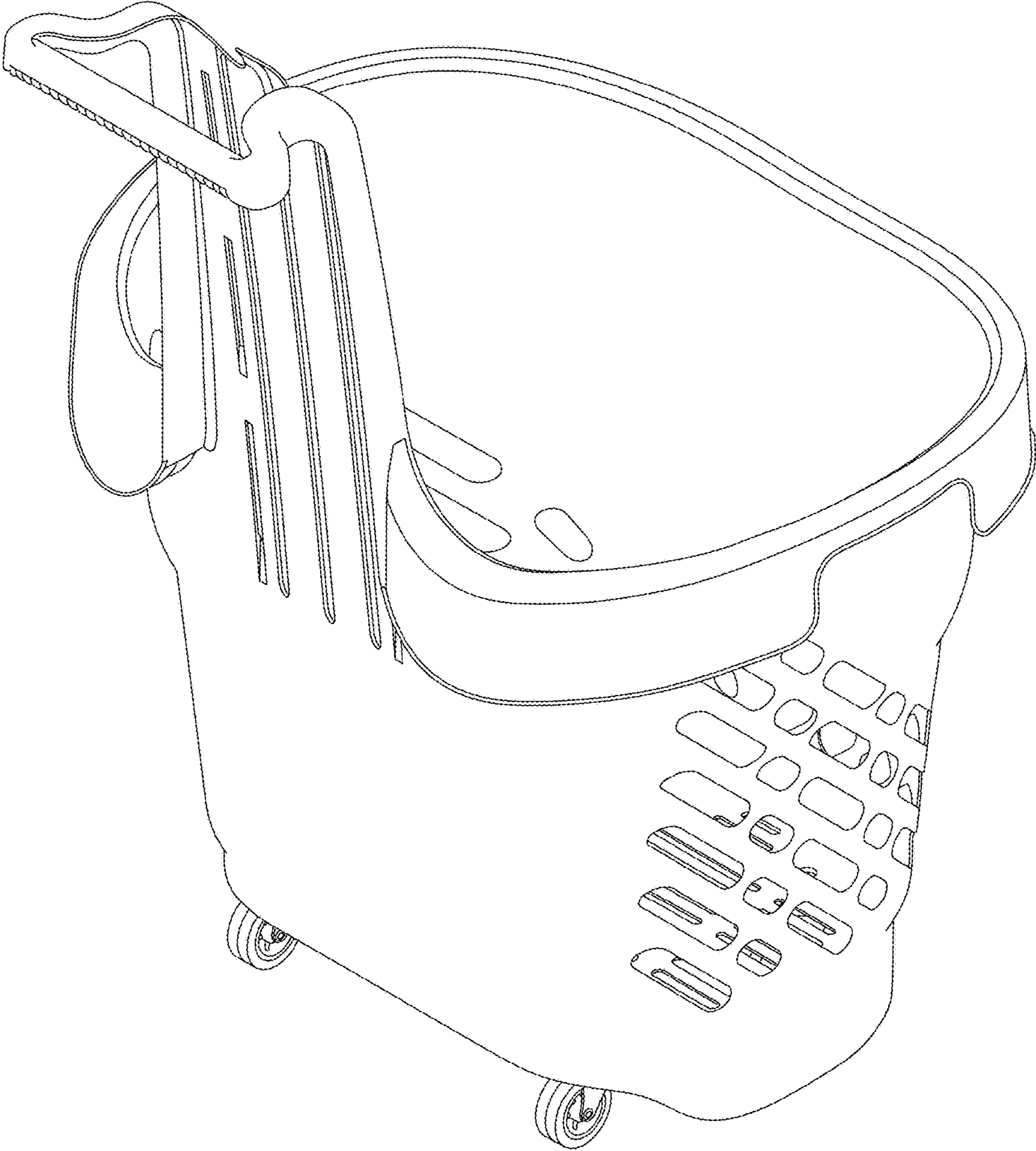


FIG. 6

FIG. 7

