



US00D797391S

(12) **United States Design Patent** (10) **Patent No.:** **US D797,391 S**  
**Latham** (45) **Date of Patent:** **\*\* Sep. 12, 2017**

(54) **ICE SCRAPER WITH OPENING FOR  
REMOVABLE LIGHT SOURCE**

(71) Applicant: **Jeffrey Latham**, Nooksack, WA (US)

(72) Inventor: **Jeffrey Latham**, Nooksack, WA (US)

(\*\*) Term: **14 Years**

(21) Appl. No.: **29/520,595**

(22) Filed: **Mar. 16, 2015**

(51) **LOC (10) Cl.** ..... **07-05**

(52) **U.S. Cl.**  
USPC ..... **D32/46**

(58) **Field of Classification Search**  
USPC ..... D32/46, 49, 42; D8/14, 45, 46, 47, 105,  
D8/98, 90, 101; D19/169, 163, 117, 184,  
D19/166; D7/682  
CPC ..... A47L 13/08; A47L 17/06; A47L 13/022;  
A47L 1/16; B29C 63/0047; A63F 3/068;  
B60S 3/045; B27G 17/00; B60J 3/0295;  
B25G 3/26; B25G 1/04; B25B 13/48;  
A45B 9/02; B05C 17/0205  
See application file for complete search history.

(56) **References Cited**

**U.S. PATENT DOCUMENTS**

4,040,140	A *	8/1977	Hopkins	.....	B60S 3/045 15/236.02
4,164,801	A *	8/1979	Thomas	.....	B60S 3/045 15/236.02
4,275,476	A *	6/1981	Hopkins	.....	B60S 3/045 15/236.02
D279,415	S *	6/1985	Osrow	.....	D26/38
4,719,660	A *	1/1988	Hopkins	.....	B60S 3/045 15/105
D346,903	S *	5/1994	Hillmer	.....	D32/42
D373,863	S *	9/1996	Shepherd	.....	D32/42
D392,784	S *	3/1998	Hellinger	.....	D32/49
D394,923	S *	6/1998	Hellinger	.....	D32/46

(Continued)

*Primary Examiner* — Michael A. Pratt  
*Assistant Examiner* — Michael E Wilson  
(74) *Attorney, Agent, or Firm* — Michael J. Tavella

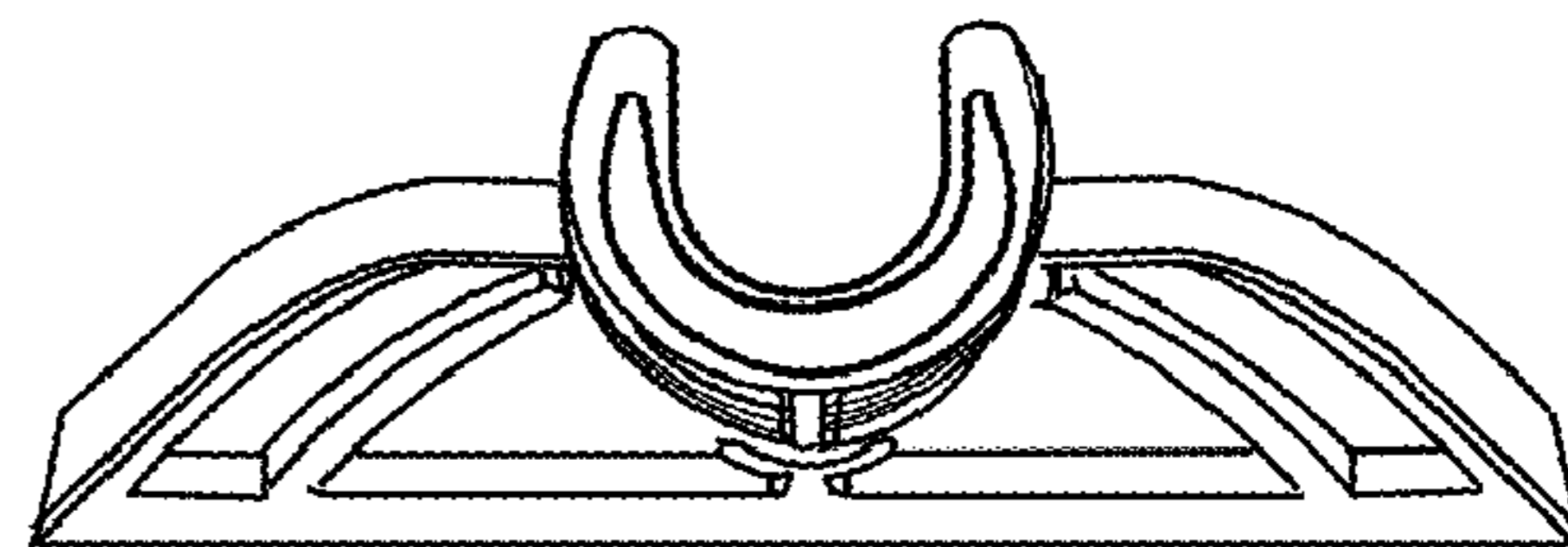
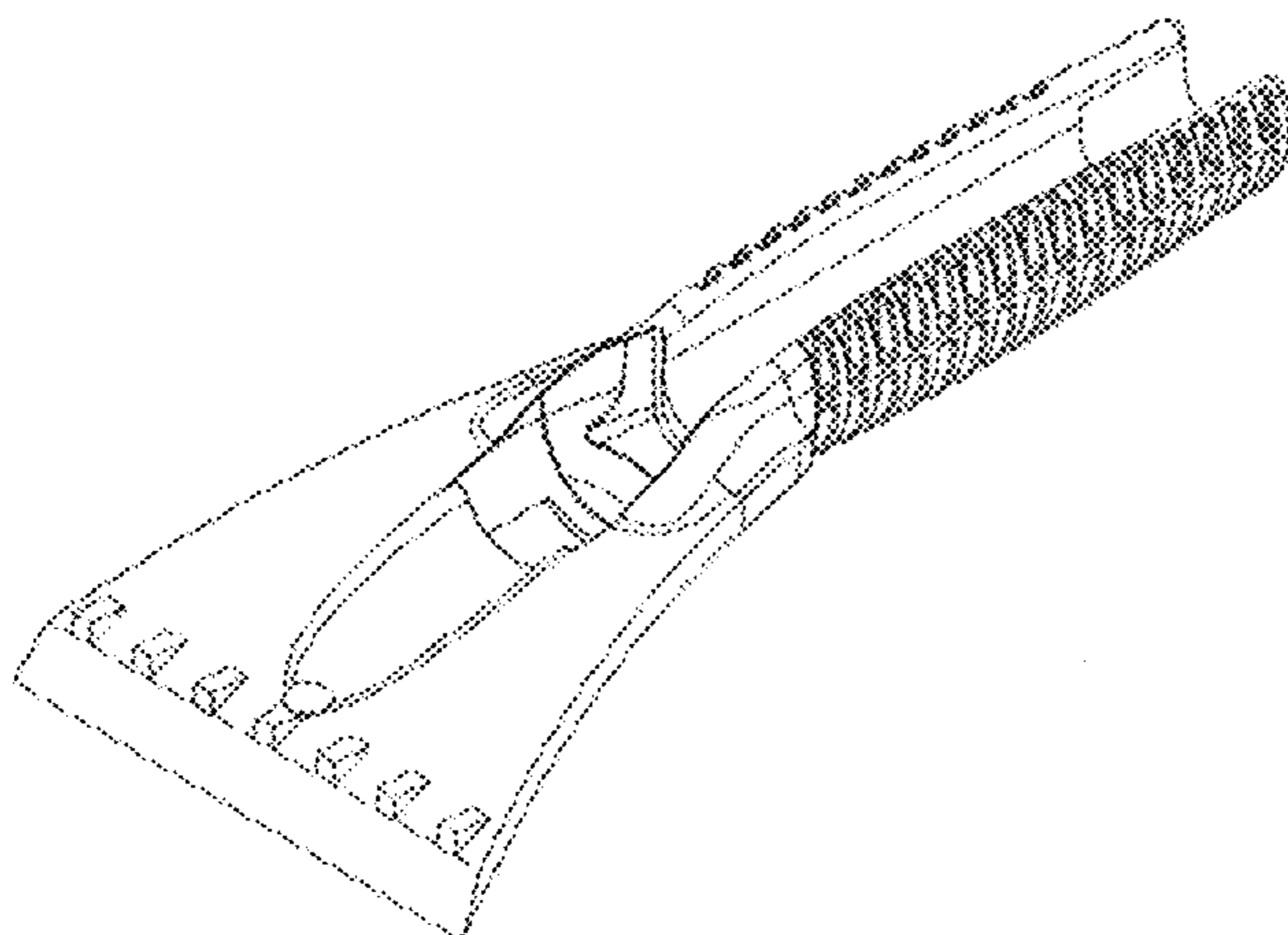
(57) **CLAIM**

The ornamental design for an ice scraper with an opening for a removable light source, as shown and described.

**DESCRIPTION**

FIG. 1 is a top perspective view of a first embodiment of an ice scraper with an opening for a removable light source, showing my new design;  
FIG. 2 is a top plan view thereof;  
FIG. 3 is a right side elevation view thereof;  
FIG. 4 is a left side elevation view thereof;  
FIG. 5 is a front elevation view thereof;  
FIG. 6 is a rear elevation view thereof;  
FIG. 7 is a bottom plan view thereof;  
FIG. 8 is a perspective view of a second embodiment of an ice scraper with an opening for a removable light source showing my new design, showing a small metal blade along the front edge;  
FIG. 9 is a top plan view of the ice scraper;  
FIG. 10 is a right side elevation view thereof;  
FIG. 11 is a left side elevation view thereof;  
FIG. 12 is a front elevation view thereof;  
FIG. 13 is a rear elevation view thereof;  
FIG. 14 is a bottom plan view thereof;  
FIG. 15 is a top perspective view of the first embodiment showing a removable light source installed therein;  
FIG. 16 is a top plan view of the first embodiment showing a removable light source installed therein; and,  
FIG. 17 is a right side elevation view of the first embodiment showing a removable light source installed therein.  
The broken line showing the removable light source in FIGS. 15, 16 and 17 illustrates the environment of the claimed design and forms no part thereof.

**1 Claim, 13 Drawing Sheets**



(56)

**References Cited**

U.S. PATENT DOCUMENTS

D410,122 S \* 5/1999 Hellinger ..... D32/46  
D415,325 S \* 10/1999 Hellinger ..... D32/46  
6,006,396 A \* 12/1999 Hellinger ..... A47L 1/16  
15/143.1  
D422,125 S \* 3/2000 Sneed ..... D32/49  
D422,146 S \* 4/2000 Sneed ..... D32/42  
D498,891 S \* 11/2004 Sickler ..... D32/46  
D501,608 S \* 2/2005 Uffner ..... D4/118  
D542,490 S \* 5/2007 Barnes, Jr. .... D32/49  
D542,491 S \* 5/2007 Barnes, Jr. .... D32/49  
D544,162 S \* 6/2007 Uffner ..... D32/46  
7,469,444 B1 \* 12/2008 Thomas ..... A47L 1/16  
15/172  
D652,218 S \* 1/2012 Hoffelner ..... D4/118  
D656,736 S \* 4/2012 Hoffelner ..... D4/118  
8,312,589 B1 \* 11/2012 Thomas ..... A47L 1/16  
15/236.01  
D702,905 S \* 4/2014 Holma ..... D32/46  
D703,408 S \* 4/2014 Holma ..... D32/46  
8,966,703 B1 \* 3/2015 Thomas ..... A47L 1/16  
15/236.01

\* cited by examiner

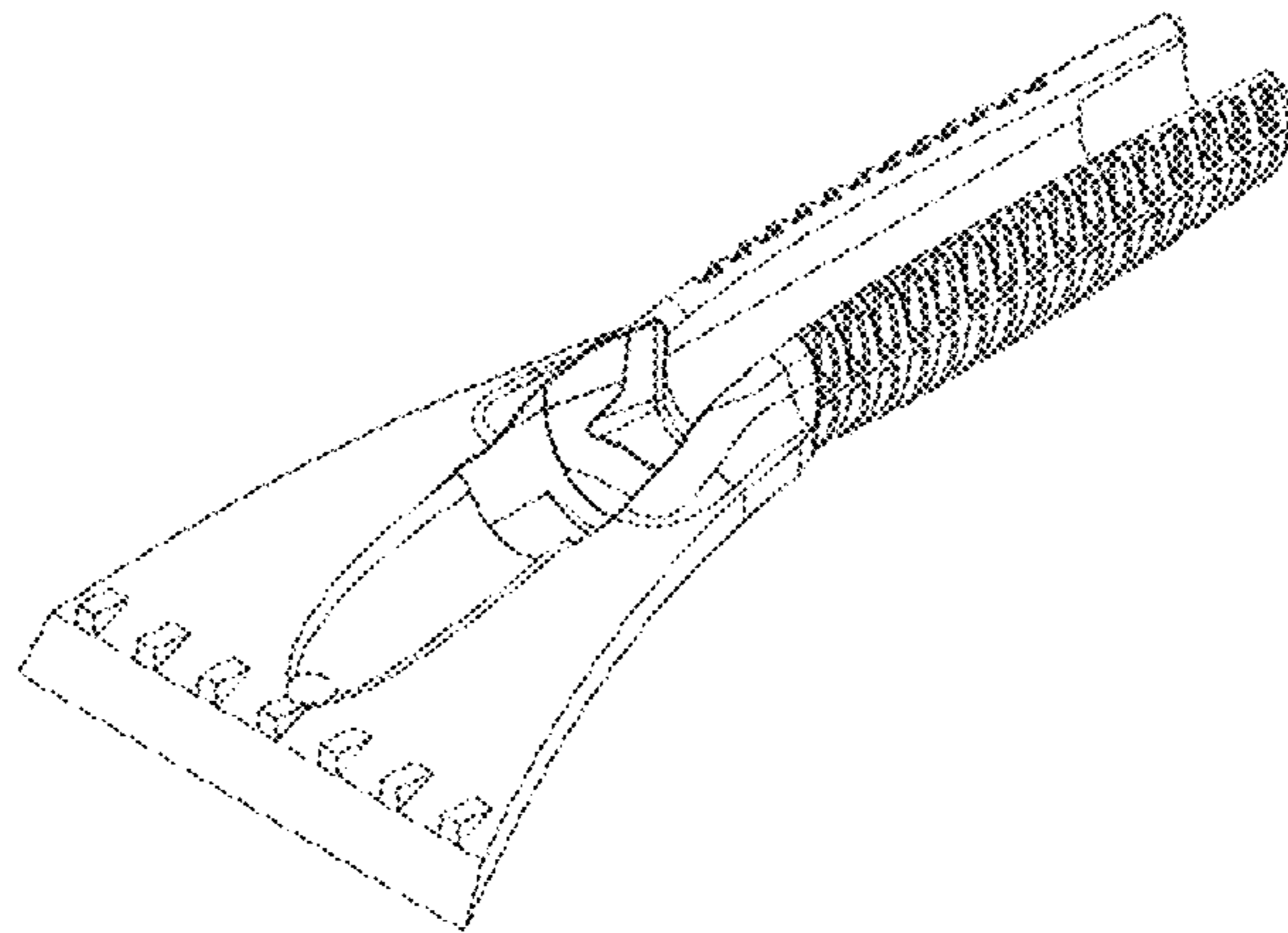


Figure 1

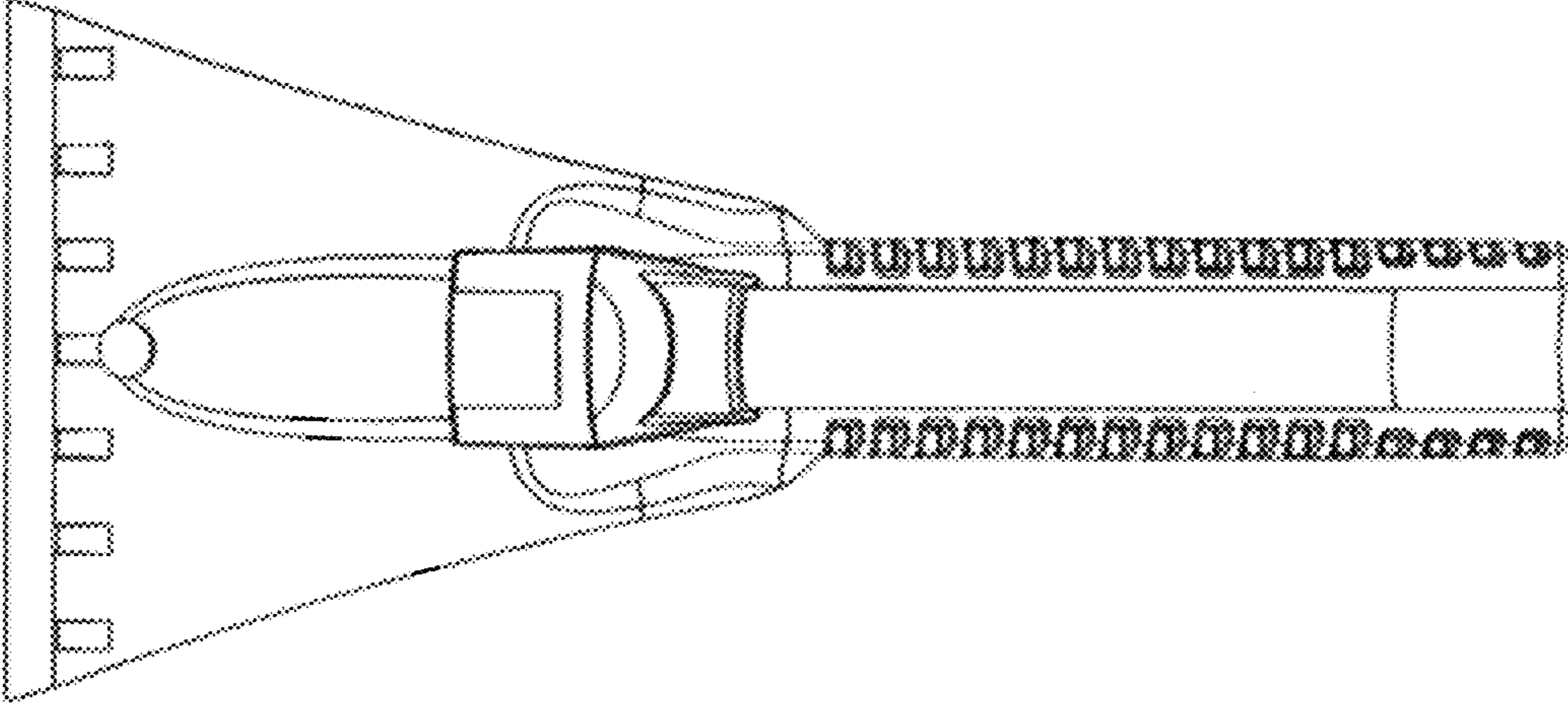


Figure 2

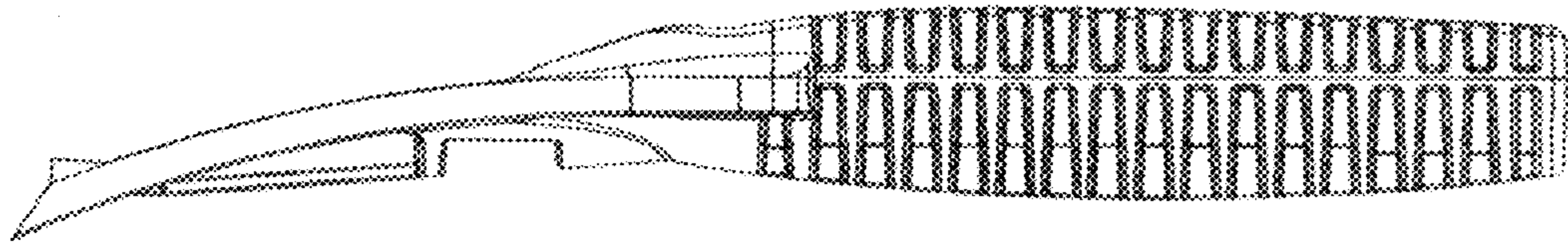


Figure 3

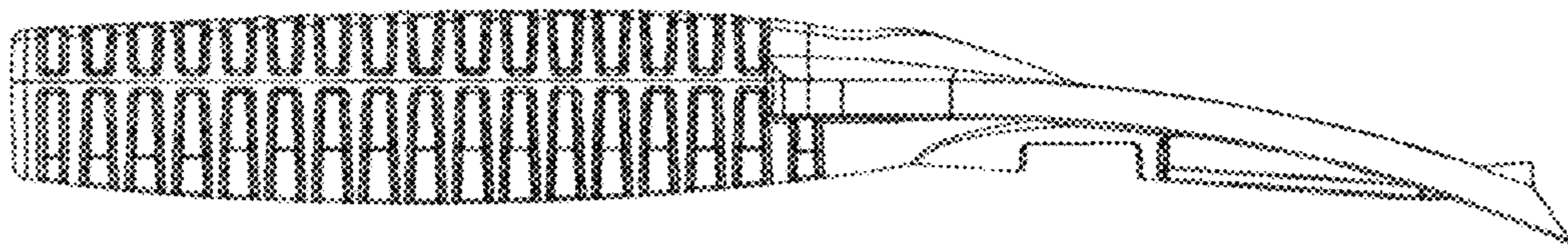


Figure 4

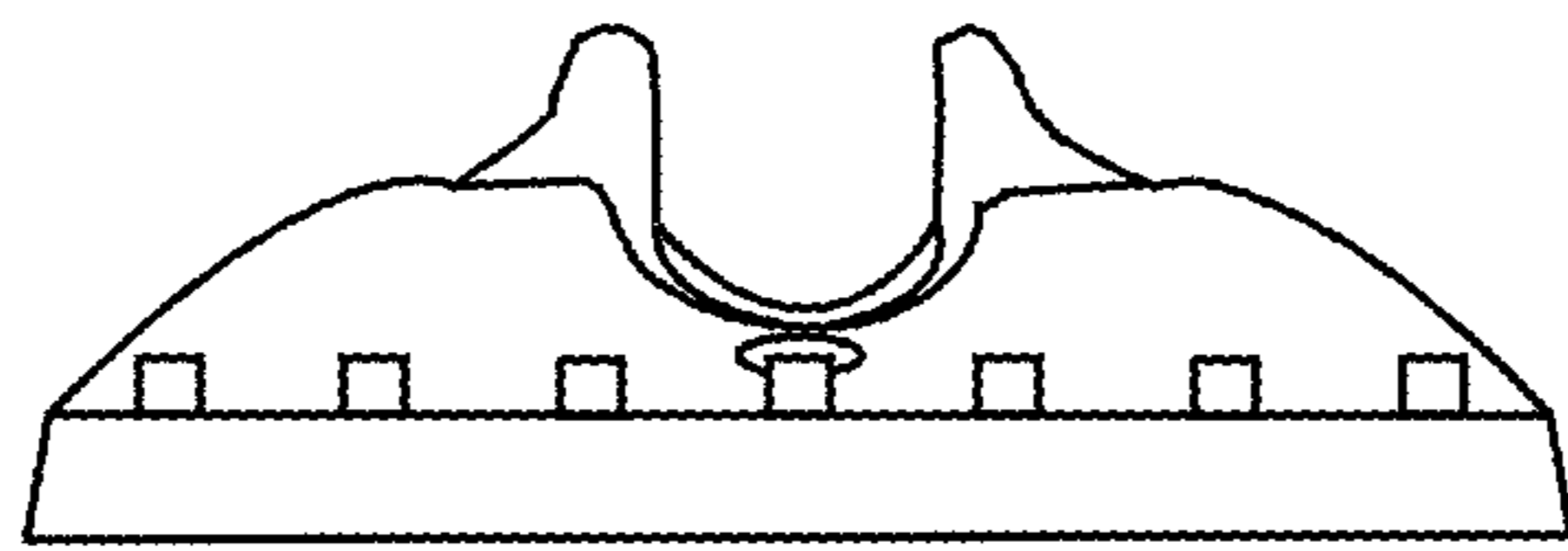


Figure 5

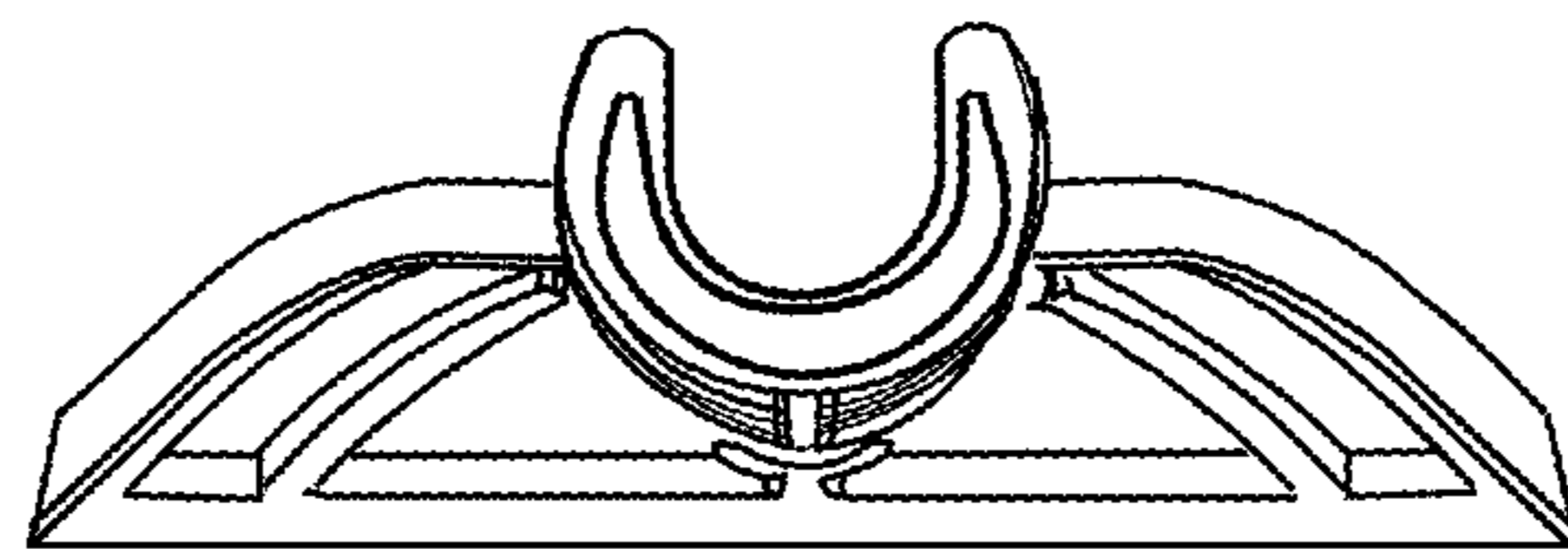


Figure 6

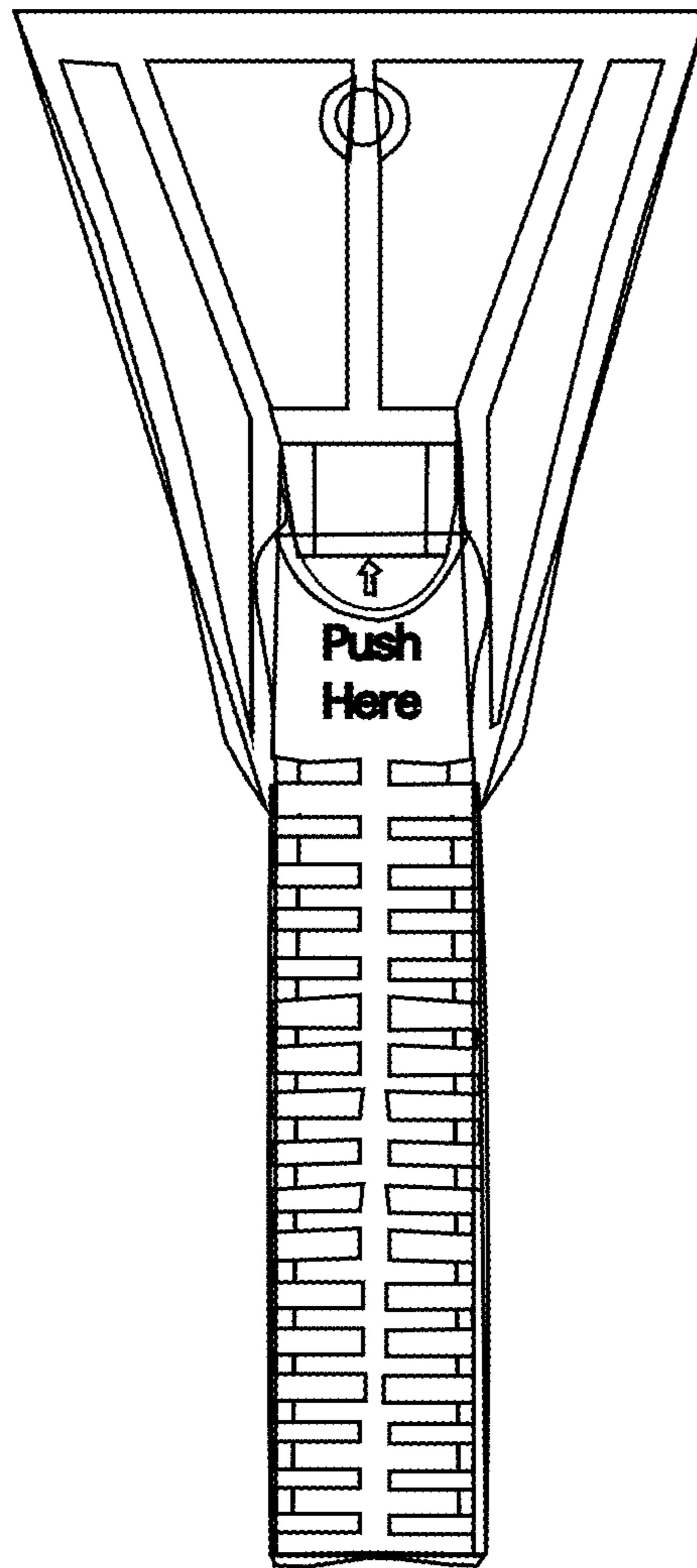


Figure 7

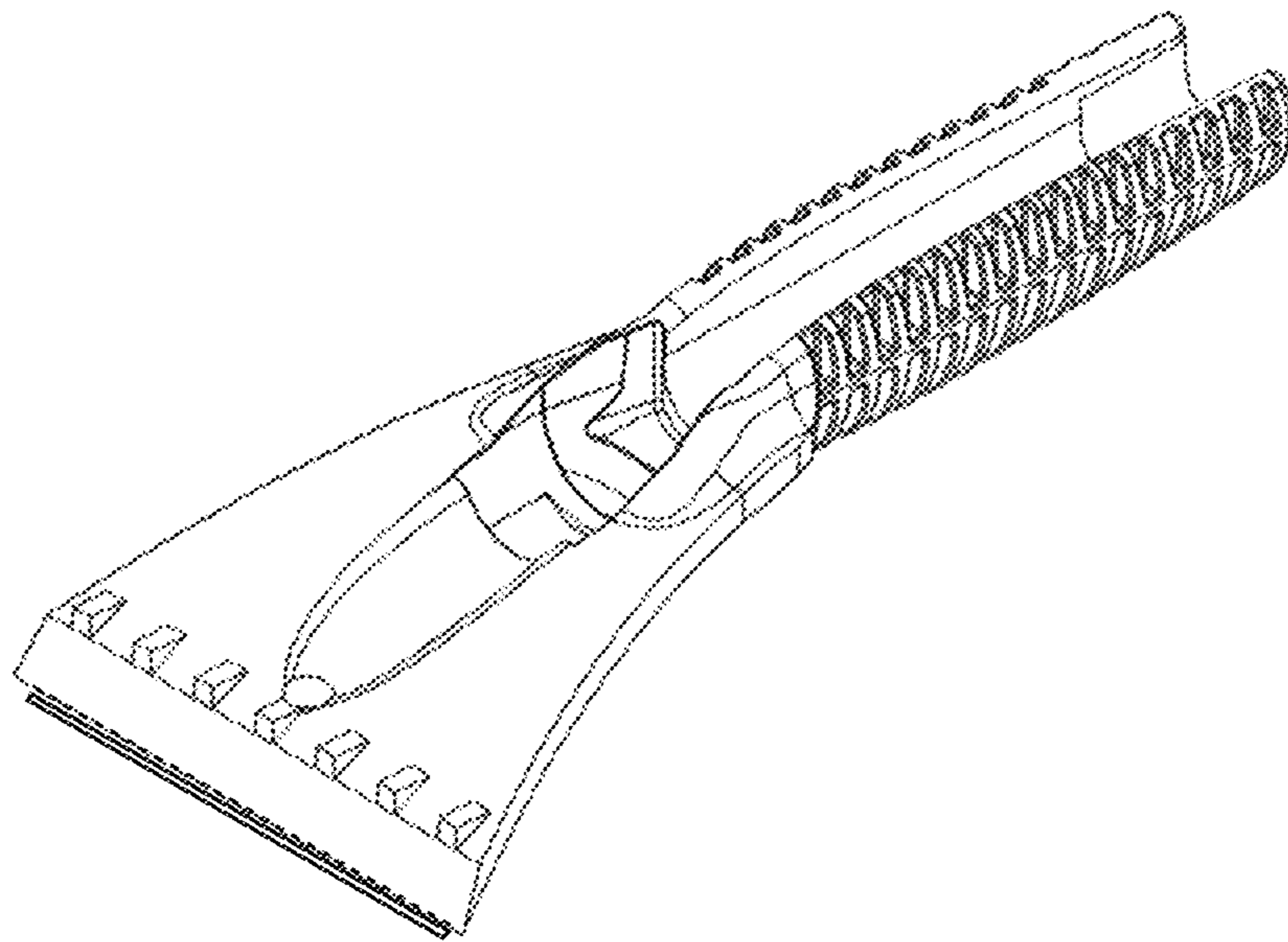


Figure 8



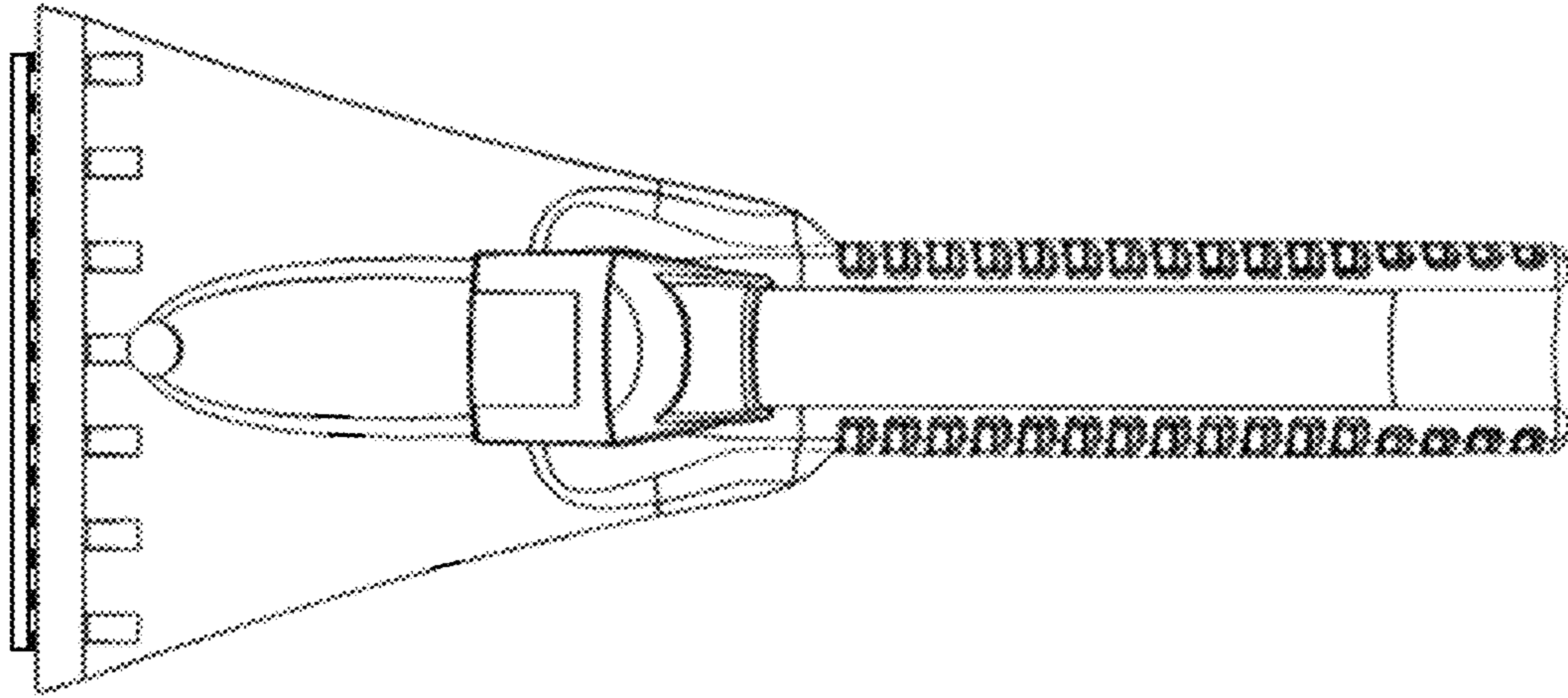


Figure 9

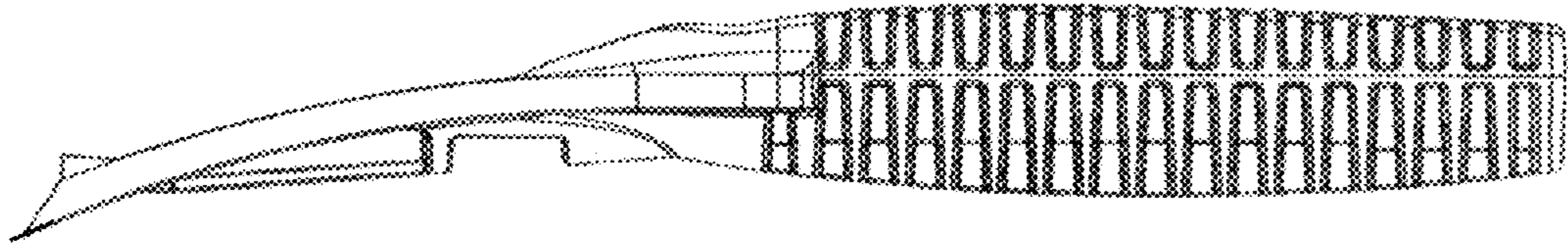


Figure 10

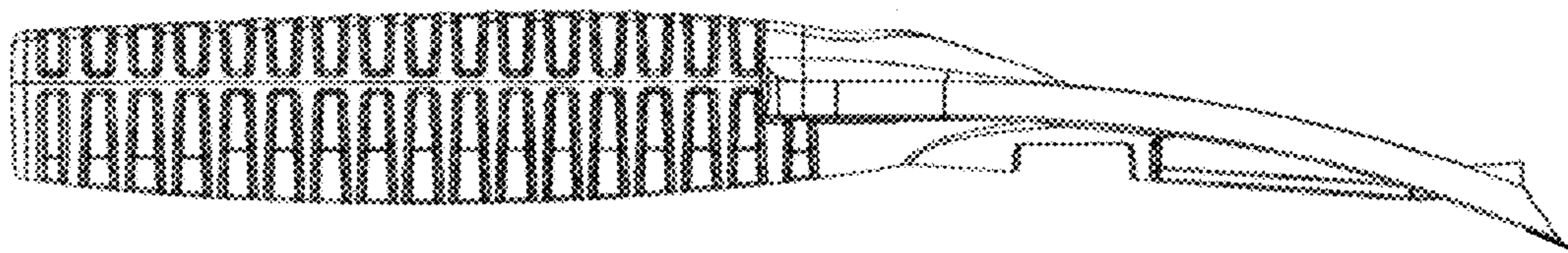


Figure 11

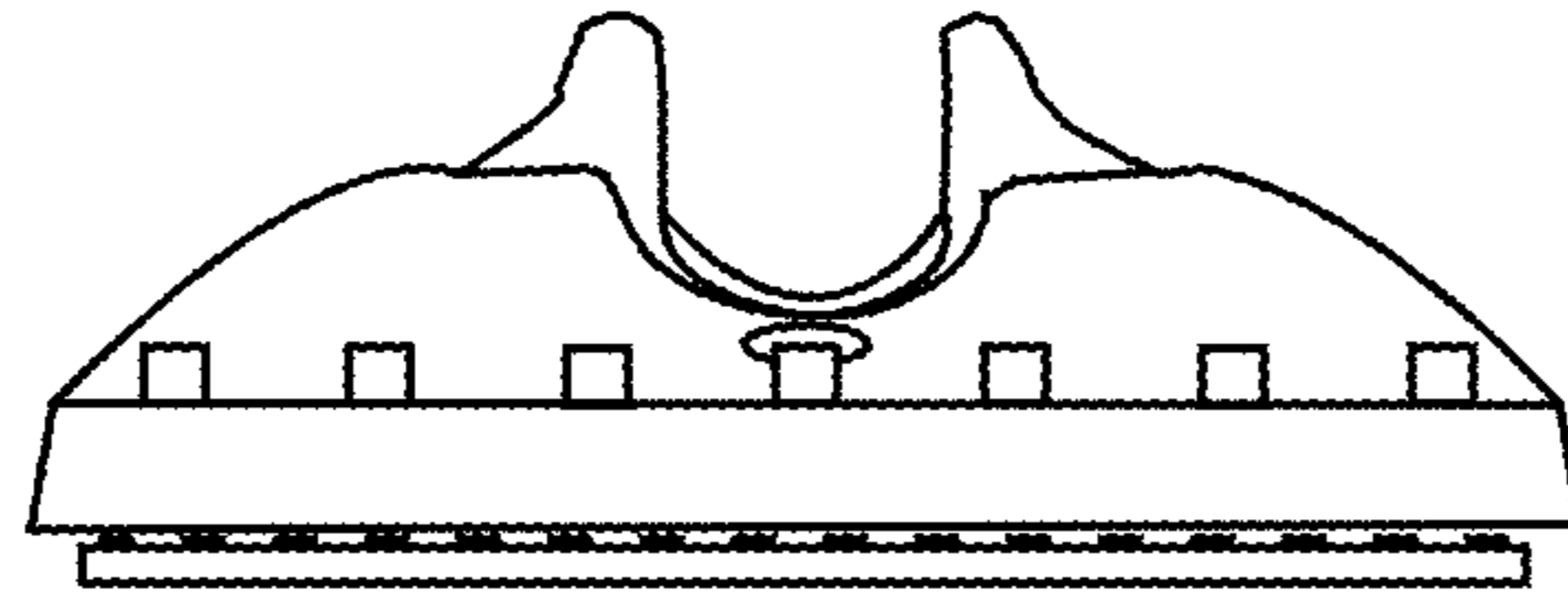


Figure 12

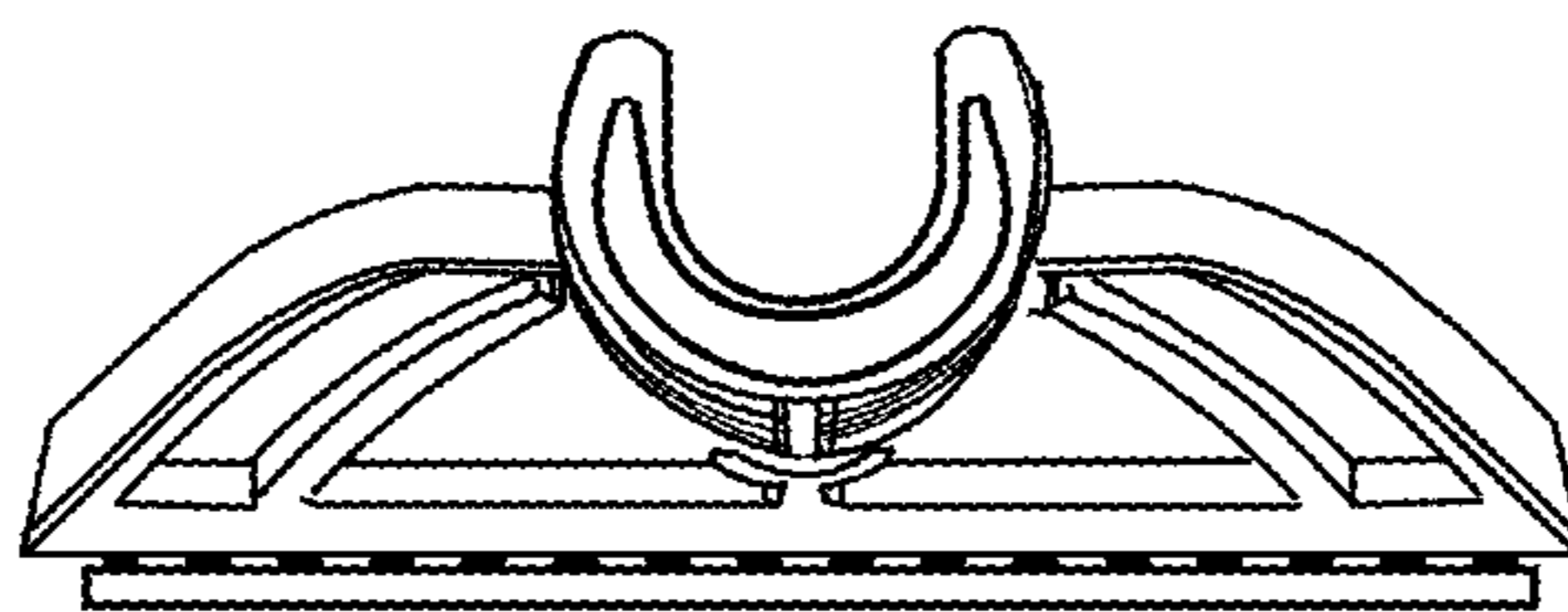


Figure 13

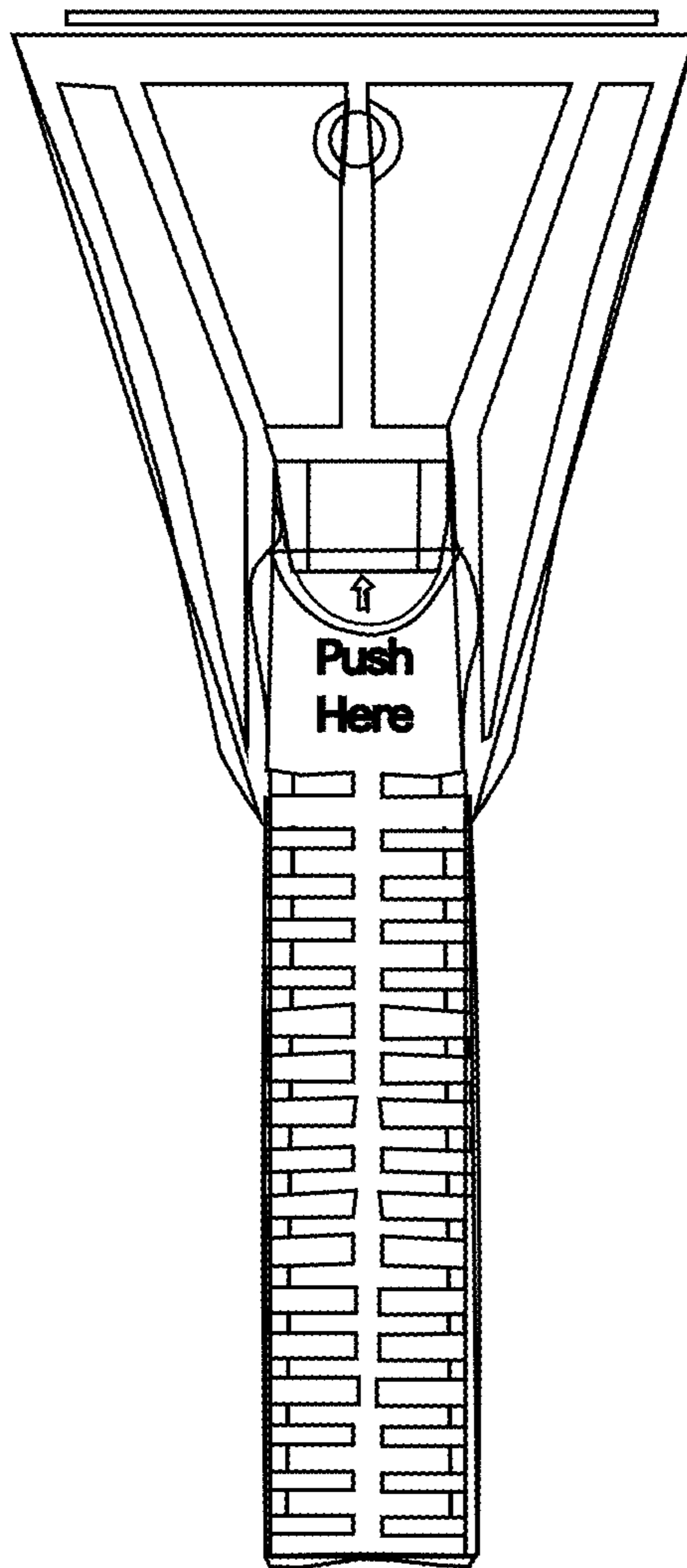


Figure 14

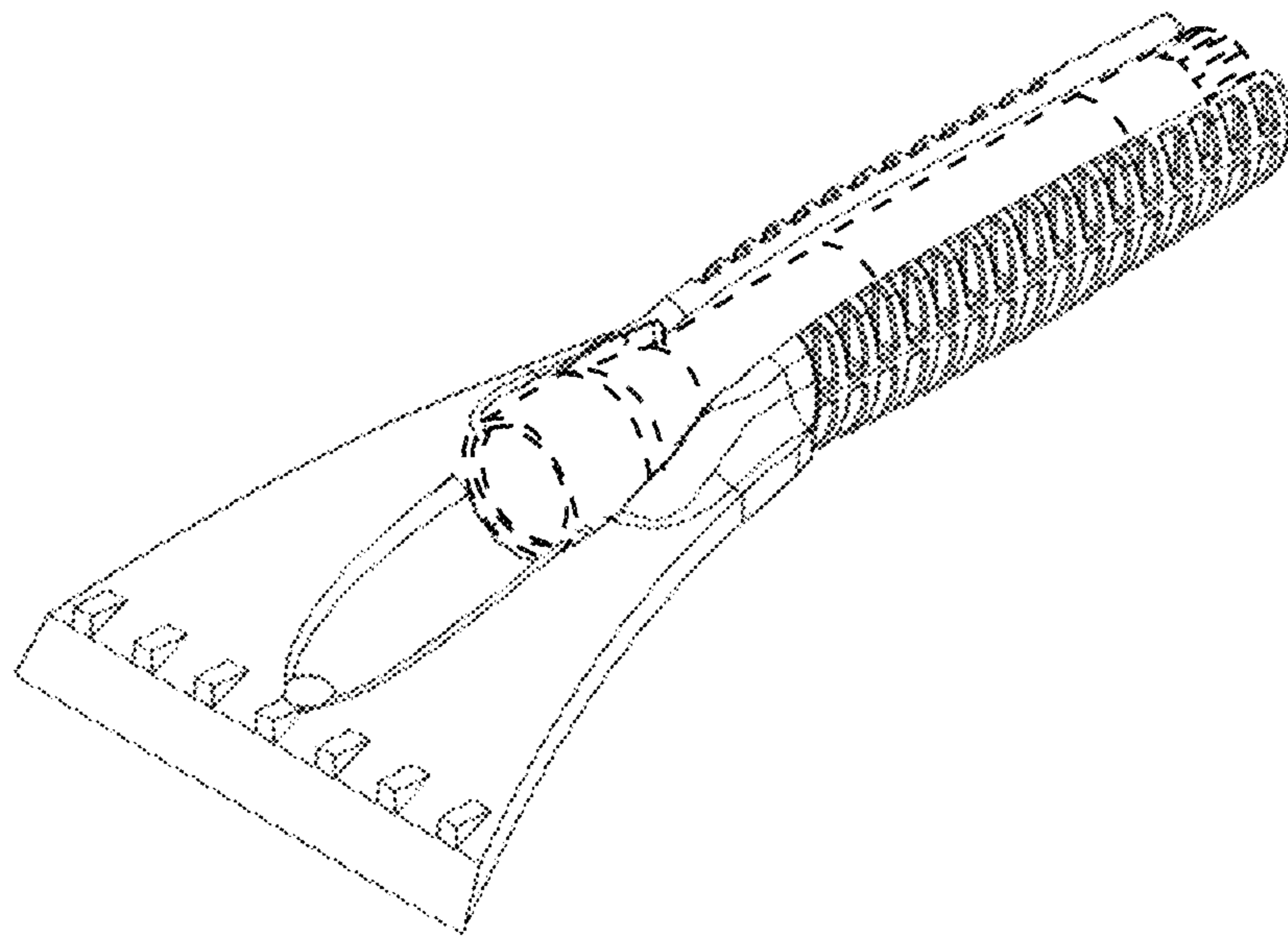


Figure 15

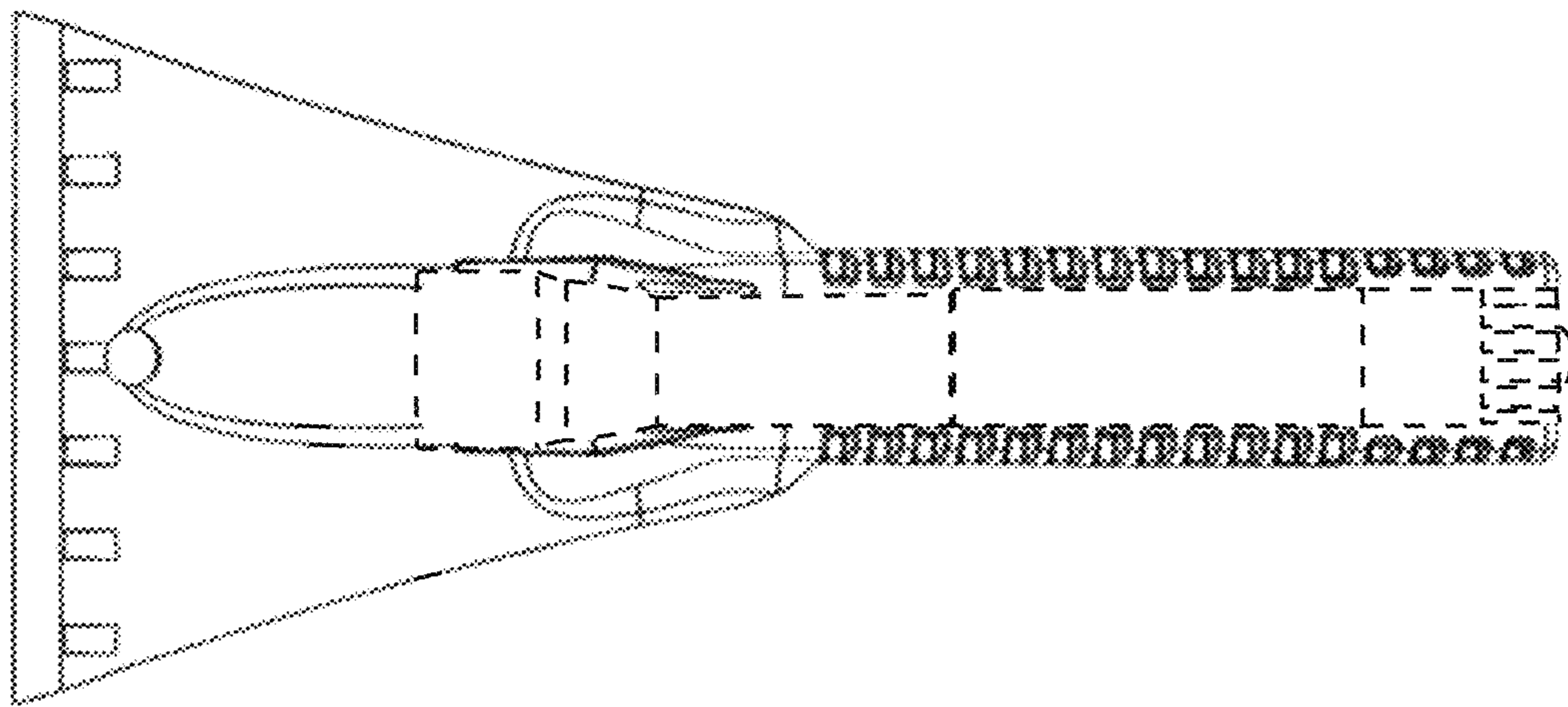


Figure 16

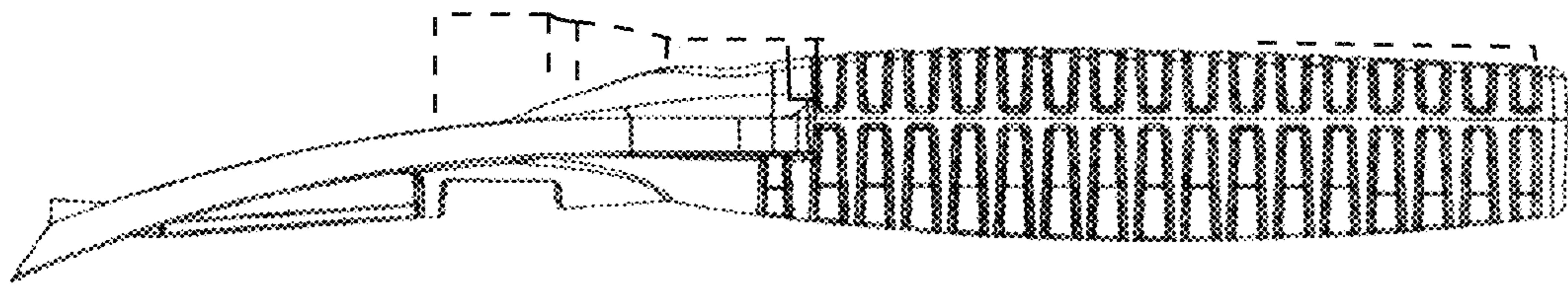


Figure 17