



US00D797388S

(12) **United States Design Patent**
Kim et al.

(10) **Patent No.:** **US D797,388 S**
(45) **Date of Patent:** **** Sep. 12, 2017**

(54) **DETERGENT CONTAINER FOR WASHING MACHINE**

(71) Applicant: **Samsung Electronics Co., Ltd.**,
Suwon-si (KR)

(72) Inventors: **Jin-Nam Kim**, Seoul (KR); **Ji-Yeun Yoon**, Seoul (KR); **Dong-Won Chun**, Seoul (KR)

(73) Assignee: **Samsung Electronics Co., Ltd.**,
Suwon-si (KR)

(**) Term: **15 Years**

(21) Appl. No.: **29/548,204**

(22) Filed: **Dec. 11, 2015**

(30) **Foreign Application Priority Data**

Jul. 2, 2015 (KR) 30-2015-0033374

(51) **LOC (10) Cl.** **15-05**

(52) **U.S. Cl.**
USPC **D32/29.1**

(58) **Field of Classification Search**
USPC D32/29.1, 29, 28, 6, 8, 25, 1, 5, 10;
D6/510; D7/348-349
CPC D06F 39/045; D06F 29/00; D06F 29/005;
D06F 39/002; D06F 33/02; D06F
2204/065; A47L 15/4418
See application file for complete search history.

(56) **References Cited**

U.S. PATENT DOCUMENTS

D440,600 S * 4/2001 Seino 347/86
D442,219 S * 5/2001 Chou D18/56
D595,464 S * 6/2009 Nam D32/25
7,950,088 B2 * 5/2011 Dalton A47L 15/44
68/17 R

8,196,441 B2 * 6/2012 Hendrickson D06F 39/02
68/17 R
9,315,936 B2 * 4/2016 Bolduan D06F 39/022
2010/0107704 A1 * 5/2010 Seo D06F 39/02
68/17 R

(Continued)

FOREIGN PATENT DOCUMENTS

KR 30-2007-0051461 7/2008
KR 30-2008-0028602 2/2009

OTHER PUBLICATIONS

Whirlpool. "Detergent Dispensing Cartridge". [2015] www.wirlpool.com May 24, 2015 <[http://www.whirlpool.com/-3/-\[W10250743A\]-1001550/W1025043A/](http://www.whirlpool.com/-3/-[W10250743A]-1001550/W1025043A/)>.

(Continued)

Primary Examiner — Caron D Veynar

Assistant Examiner — Laura Yu

(74) *Attorney, Agent, or Firm* — NSIP Law

(57) **CLAIM**

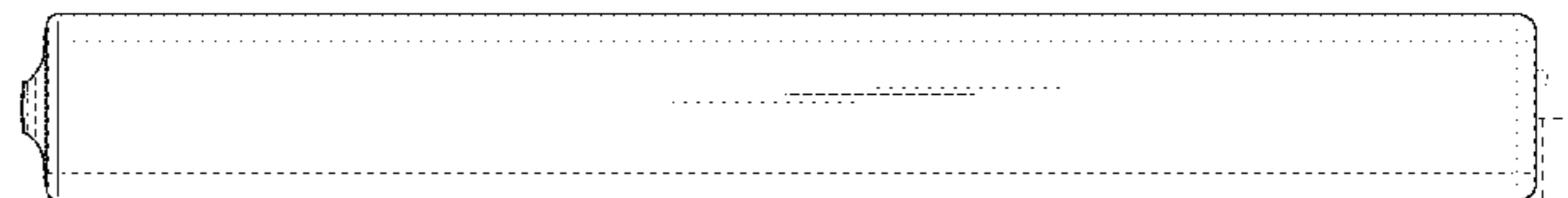
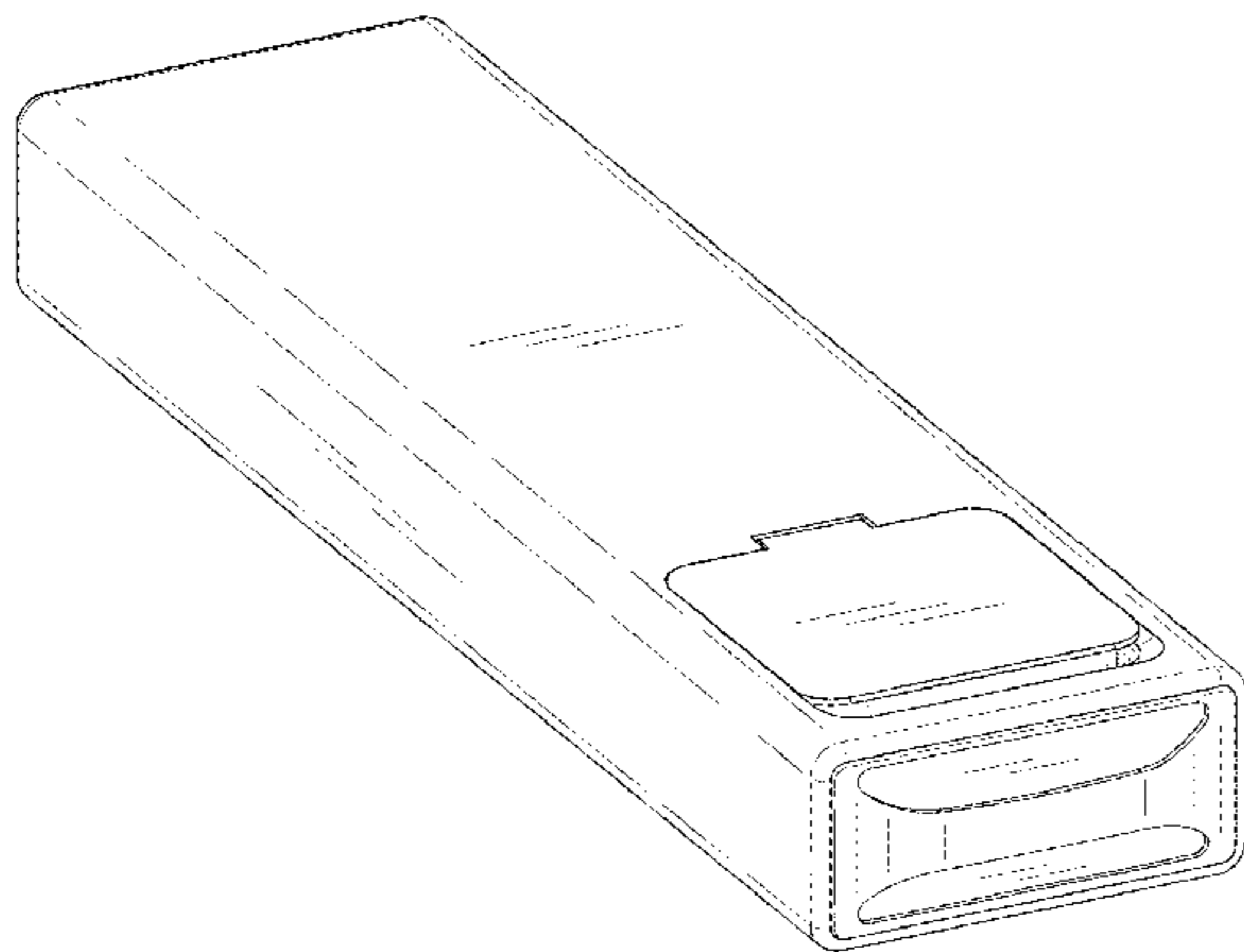
We claim the ornamental design for a detergent container for washing machine, as shown and described.

DESCRIPTION

FIG. 1 is a front perspective view of a detergent container for washing machine showing our new design;
FIG. 2 is a front view thereof;
FIG. 3 is a rear view thereof;
FIG. 4 is a left-side view thereof;
FIG. 5 is a right-side view thereof;
FIG. 6 is a top view thereof;
FIG. 7 is a bottom view thereof; and,
FIG. 8 is another front perspective view of the detergent container for washing machine in which a washing machine is provided in broken lines to illustrate an example environment.

The broken lines in the figures depict environmental subject matter and form no part of the claimed design.

1 Claim, 5 Drawing Sheets



(56)

References Cited

U.S. PATENT DOCUMENTS

2010/0161143 A1* 6/2010 Smith A47L 15/4418
700/283
2012/0159998 A1* 6/2012 Bolduan D06F 39/022
68/17 R
2013/0312463 A1* 11/2013 Kim D06F 39/022
68/17 R
2014/0190220 A1* 7/2014 Lee D06F 39/02
68/17 R
2016/0194813 A1* 7/2016 Kurtkaya A47L 15/4418
134/115 R
2016/0258106 A1* 9/2016 Kim D06F 39/022
2016/0289883 A1* 10/2016 Lv D06F 35/005

OTHER PUBLICATIONS

Buyers and Sellers. "the inside of the new Miele Washing machine TwinDos ultra phase 1 and 2 system" [2013] plus.google.com Sep. 14, 2013 <<https://plus.google.com/+buyersandsellers/post/3Phj9nkm2Sf>>.

"Miele ULTRAPHASE1". [2015] www.geraldgiles.co.uk May 24, 2015 <<http://www.geraldgiles.co.uk/store/miele/accessories/ultraphase1/product-5664>>.

* cited by examiner

FIG. 1

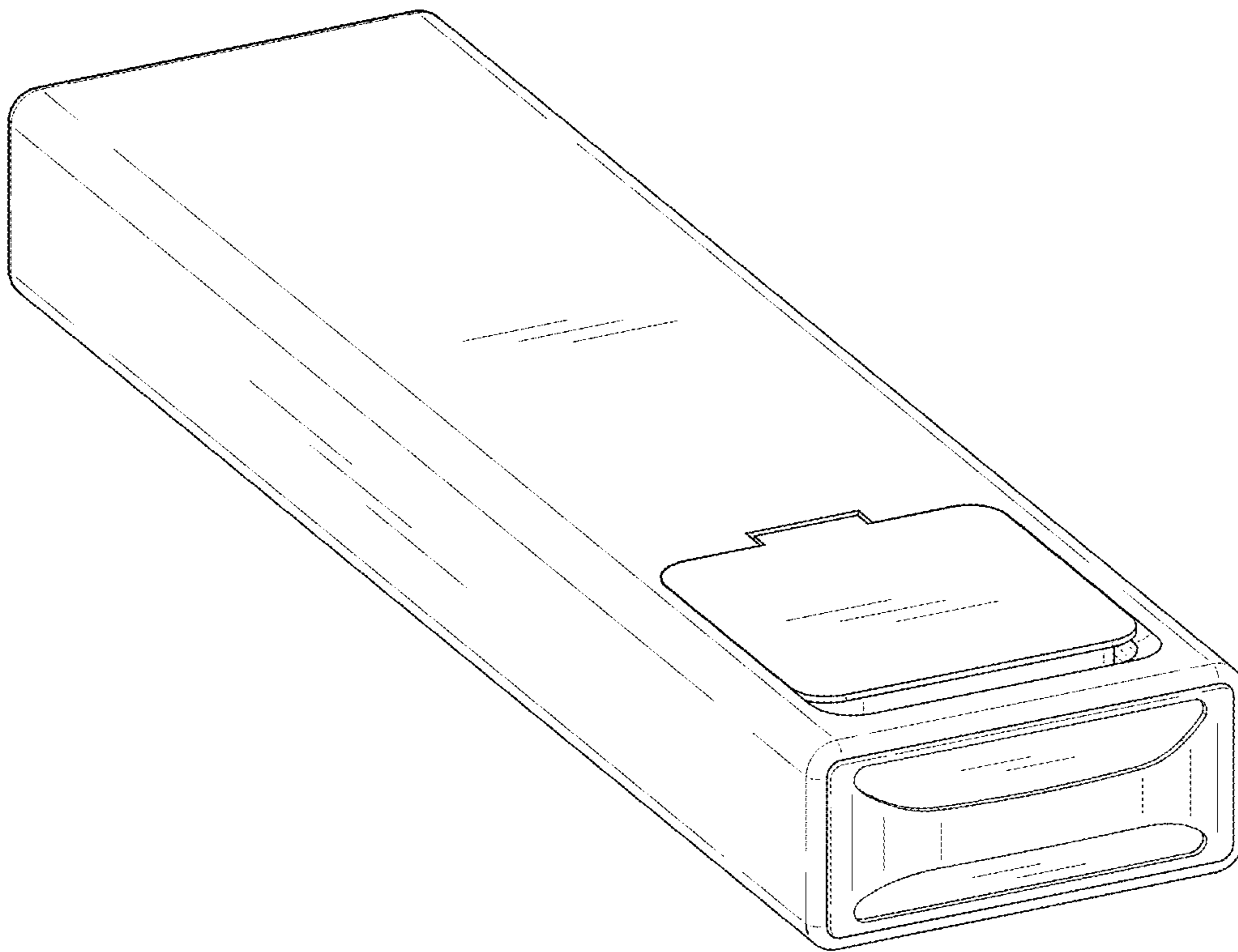


FIG. 2

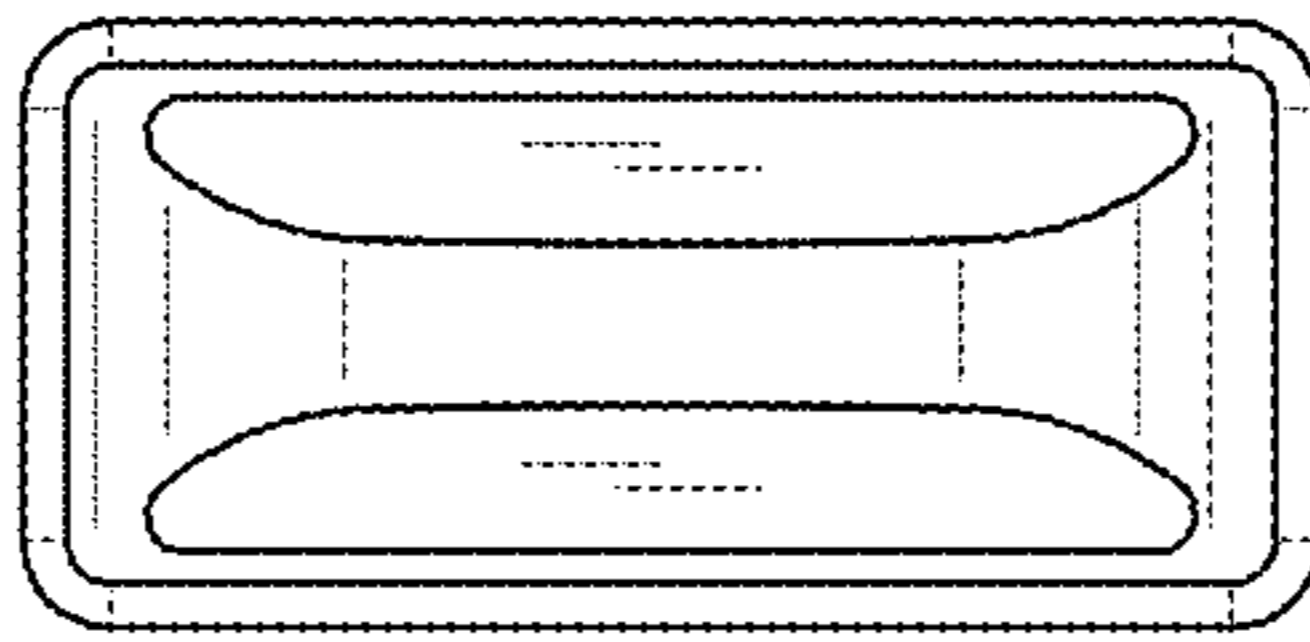


FIG. 3

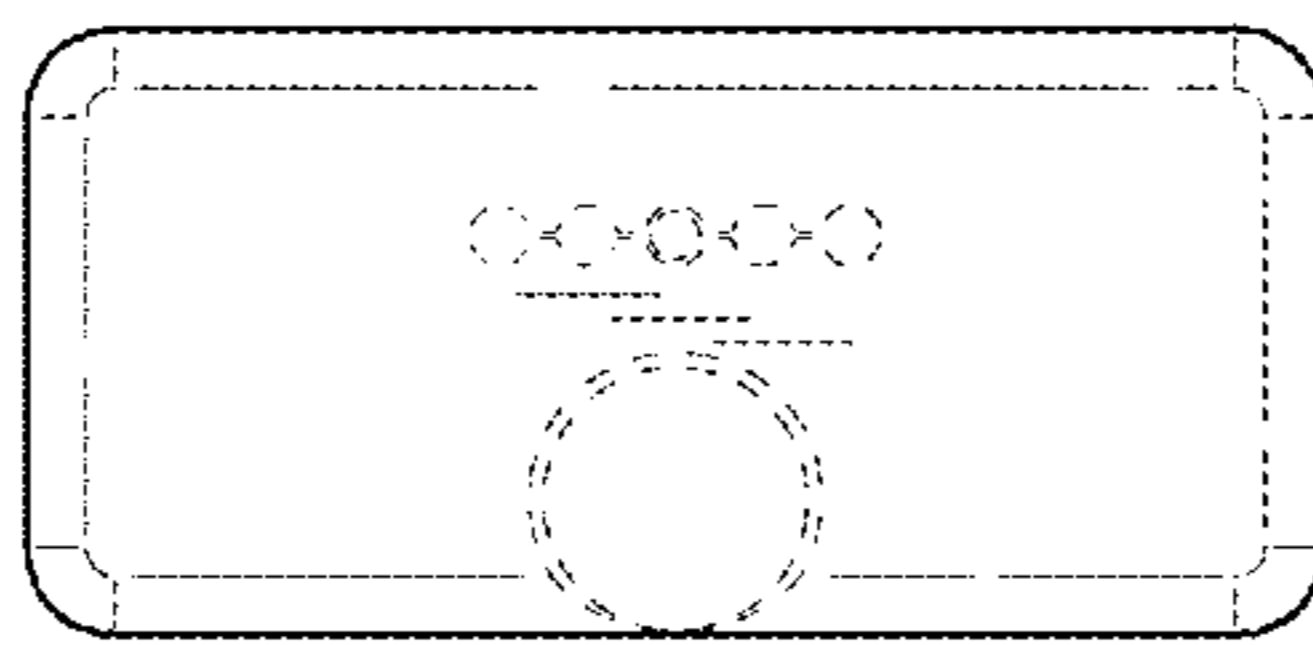


FIG. 4

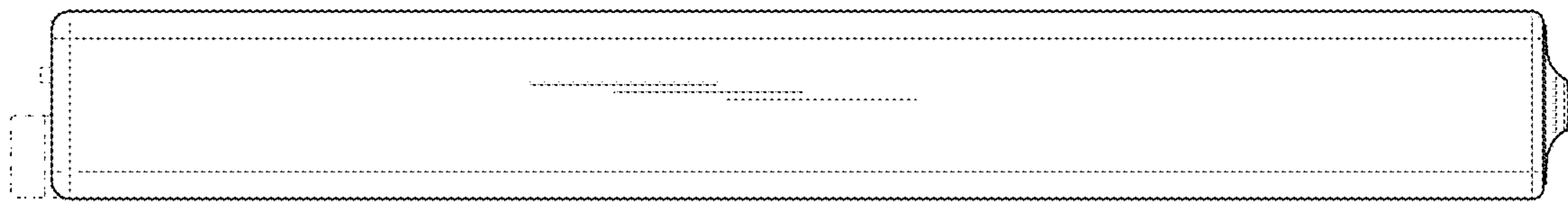


FIG. 5

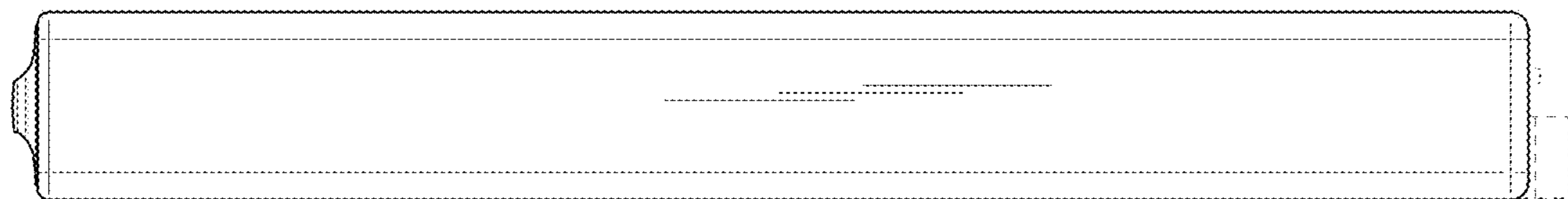


FIG. 6

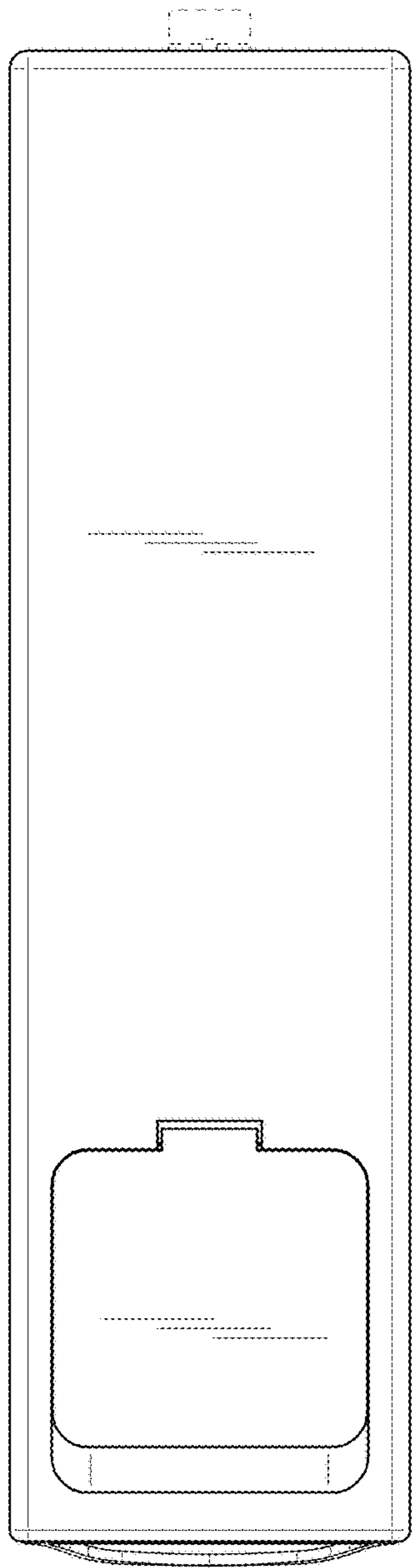


FIG. 7

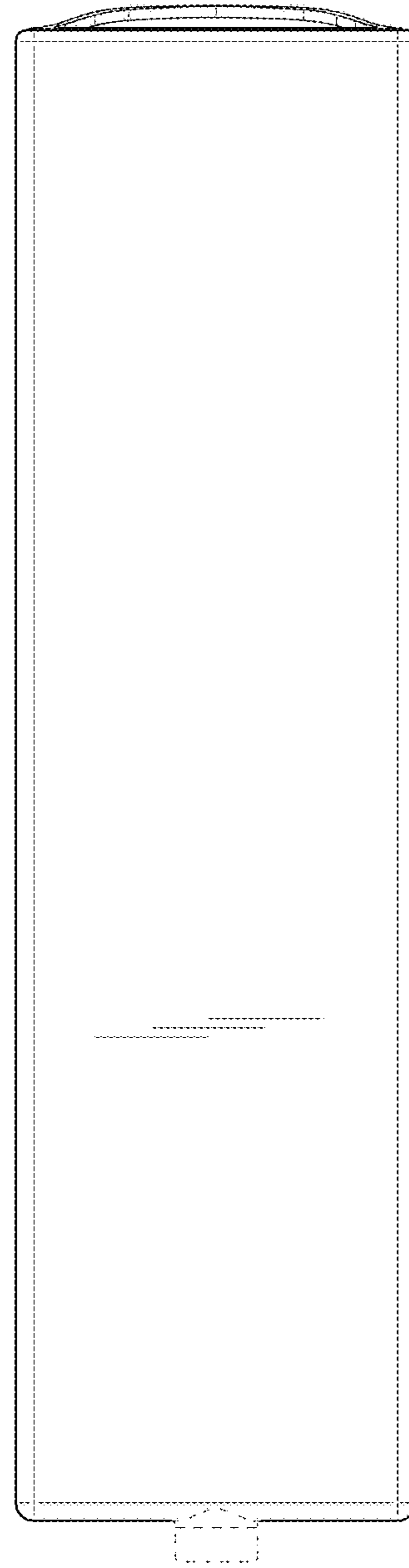


FIG. 8

