



US00D797387S

(12) **United States Design Patent** (10) **Patent No.:** **US D797,387 S**
Bixby et al. (45) **Date of Patent:** **** Sep. 12, 2017**

(54) **TOPLOAD WASHING APPLIANCE**

Primary Examiner — Michael A. Pratt

Assistant Examiner — Michelle E Wilson

(71) Applicant: **Whirlpool Corporation**, Benton Harbor, MI (US)

(74) *Attorney, Agent, or Firm* — Price Heneveld LLP

(72) Inventors: **Seth E. Bixby**, Stevensville, MI (US); **Richard K. Gresens**, Saint Joseph, MI (US); **John W. McConnell**, Saint Joseph, MI (US); **Patrick J. Schiavone**, Benton Harbor, MI (US); **Samuel B. Breneman**, Saint Joseph, MI (US)

(57) **CLAIM**

The ornamental design for a topload washing appliance, as shown and described.

(73) Assignee: **Whirlpool Corporation**, Benton Harbor, MI (US)

DESCRIPTION

(**) Term: **14 Years**

FIG. 1 is a first top perspective view of the topload washing appliance of the present invention;
FIG. 2 is a second top perspective view of the topload washing appliance of the present invention;
FIG. 3 is a top plan view of the topload washing appliance of the present invention;
FIG. 4 is a bottom plan view of the topload washing appliance of the present invention;
FIG. 5 is a first side elevation view of the topload washing appliance of the present invention;
FIG. 6 is a second side elevation view of the topload washing appliance of the present invention;
FIG. 7 is a third side elevation view of the topload washing appliance of the present invention;
FIG. 8 is a fourth side elevation view of the topload washing appliance of the present invention; and,
FIG. 9 is another first side elevation view of the topload washing appliance of the present invention with the door in an open position to view the underside of the topload washing appliance door.

(21) Appl. No.: **29/499,792**

(22) Filed: **Aug. 19, 2014**

(51) **LOC (10) Cl.** **15-05**

(52) **U.S. Cl.**
USPC **D32/6**

(58) **Field of Classification Search**
USPC D32/1, 5-6, 8, 25, 28, 29
CPC D06F 33/02; D06F 2204/065; D06F 25/00;
D06F 35/006; D06F 37/28; D06F 39/14;
D06F 58/203
See application file for complete search history.

The broken lines in the figures are for contextual purposes or show the environment and form no part of the claimed design.

The stipple pattern in the figures indicates a transitional condition applied to the underside of the transparent material moving from the outer edge to the interior. The transition material is located between the transparent material and the lid base.

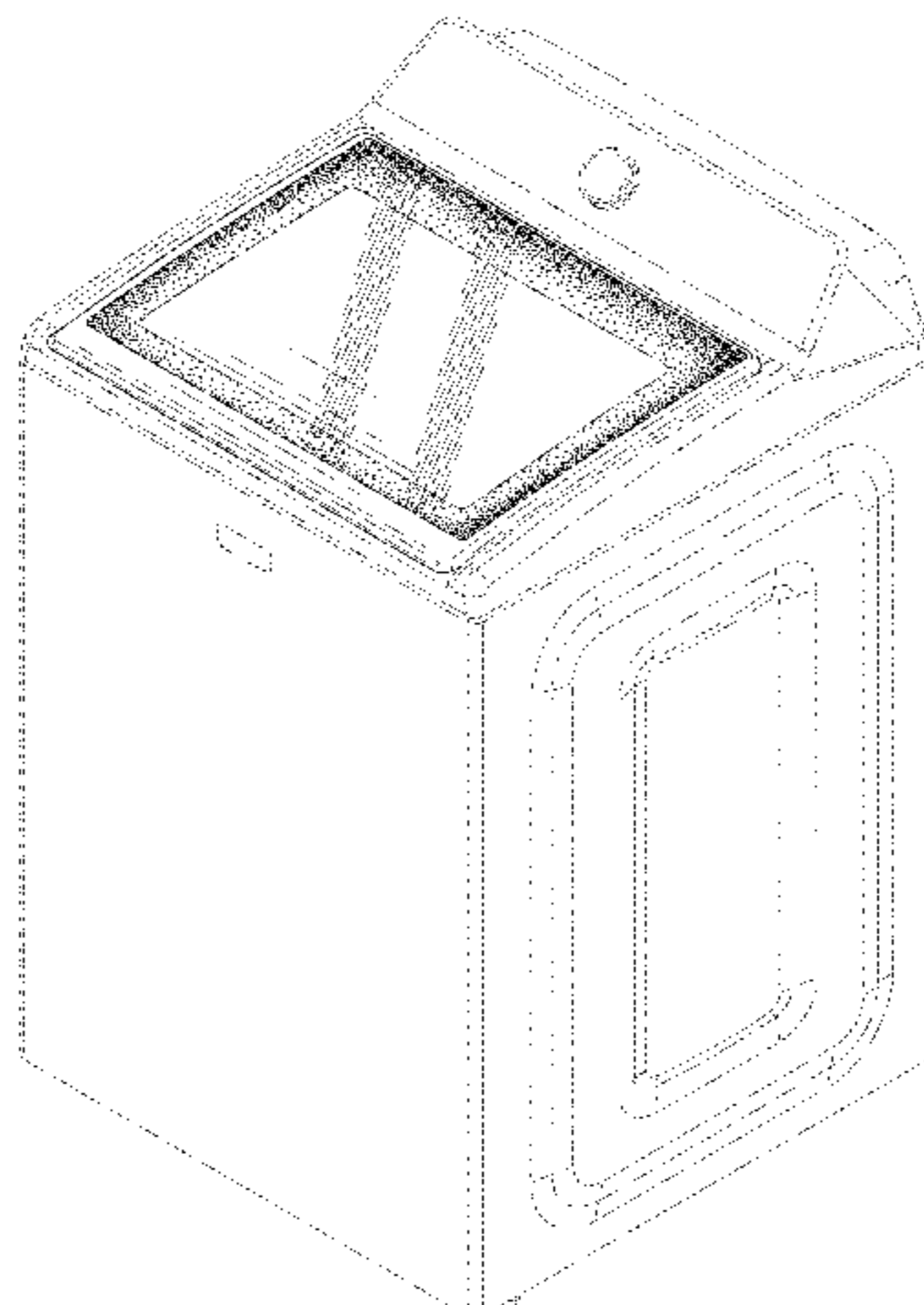
(56) **References Cited**

U.S. PATENT DOCUMENTS

- 4,307,588 A * 12/1981 Smith D06F 39/12
312/257.1
- 4,429,817 A * 2/1984 Ikeda D06F 39/022
222/252
- D359,602 S * 6/1995 Swartz D32/6
- D360,500 S * 7/1995 Millet D32/5
- 6,618,887 B2 * 9/2003 Kim D06F 23/04
68/23.1
- D492,073 S * 6/2004 Sneddon D32/6
- D527,150 S * 8/2006 Jun D32/6
- D527,853 S * 9/2006 Carey D32/6

(Continued)

1 Claim, 9 Drawing Sheets



(56)

References Cited

U.S. PATENT DOCUMENTS

D532,941	S	*	11/2006	Carey	D32/6
D538,488	S	*	3/2007	Carey	D32/6
D542,487	S	*	5/2007	Jun	D32/6
D556,394	S	*	11/2007	Kim	D32/6
D575,012	S	*	8/2008	Rossetto	D32/6
D630,807	S	*	1/2011	Song	D32/6
D632,033	S	*	2/2011	Song	D32/6
D633,261	S	*	2/2011	Song	D32/6
D654,640	S	*	2/2012	Song	D32/6
D679,462	S	*	4/2013	Zhang	D32/6
D694,965	S	*	12/2013	Lee	D32/6
D699,907	S	*	2/2014	Choi	D32/28
D701,656	S	*	3/2014	Choi	D32/6
D729,998	S	*	5/2015	Jeon	D32/6
D739,096	S	*	9/2015	Qin	D32/6
D759,325	S	*	6/2016	Jeon	D32/6
D760,454	S	*	6/2016	Joo	D32/6
D760,967	S	*	7/2016	Joo	D32/6
D761,502	S	*	7/2016	Joo	D32/6
D761,503	S	*	7/2016	Choi	D32/6
D762,021	S	*	7/2016	Qin	D32/6
D762,025	S	*	7/2016	Joo	D32/6
D764,121	S	*	8/2016	Choi	D32/6
D772,505	S	*	11/2016	Bixby	D32/25
D772,506	S	*	11/2016	Bixby	D32/25

* cited by examiner

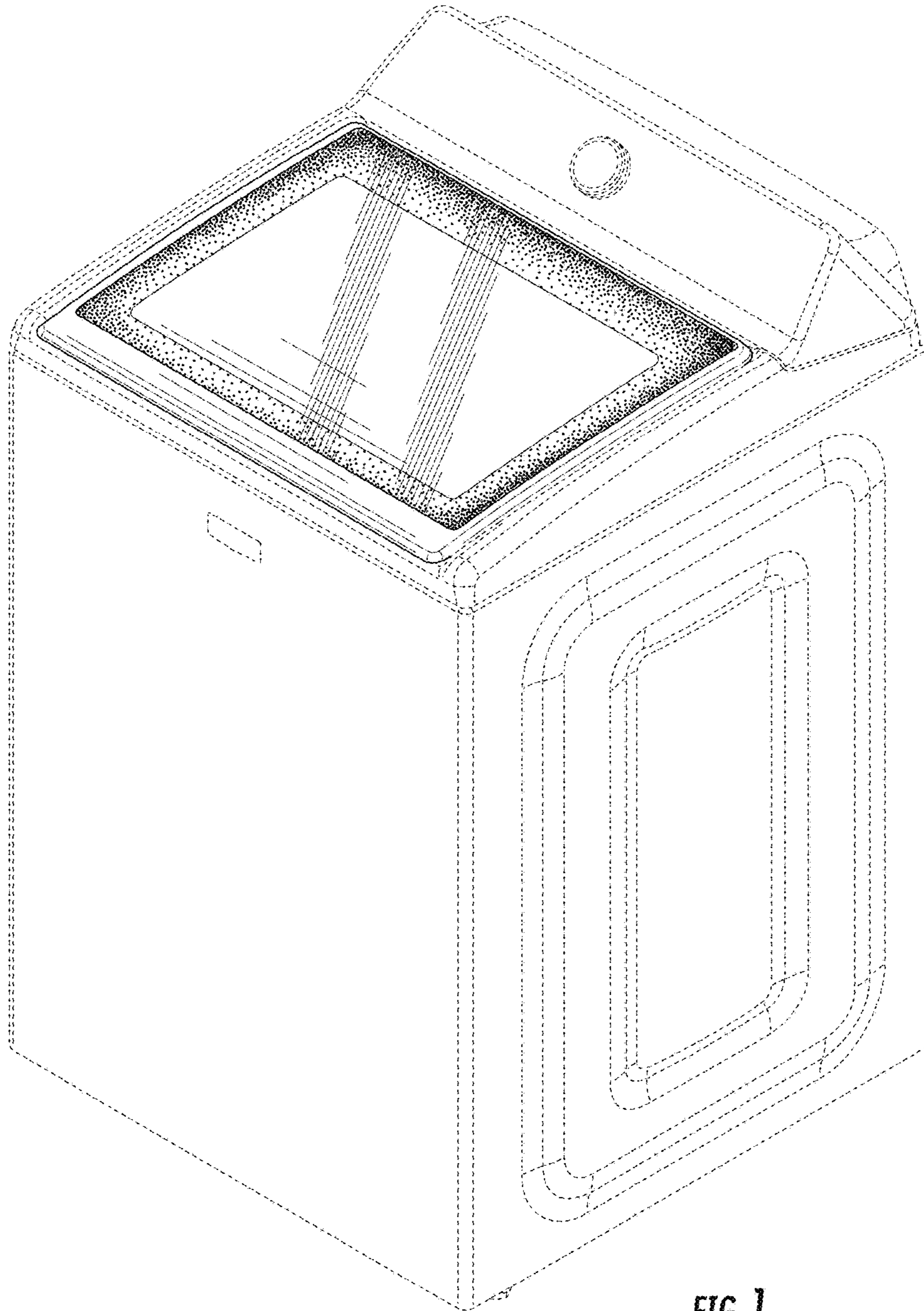


FIG. 1

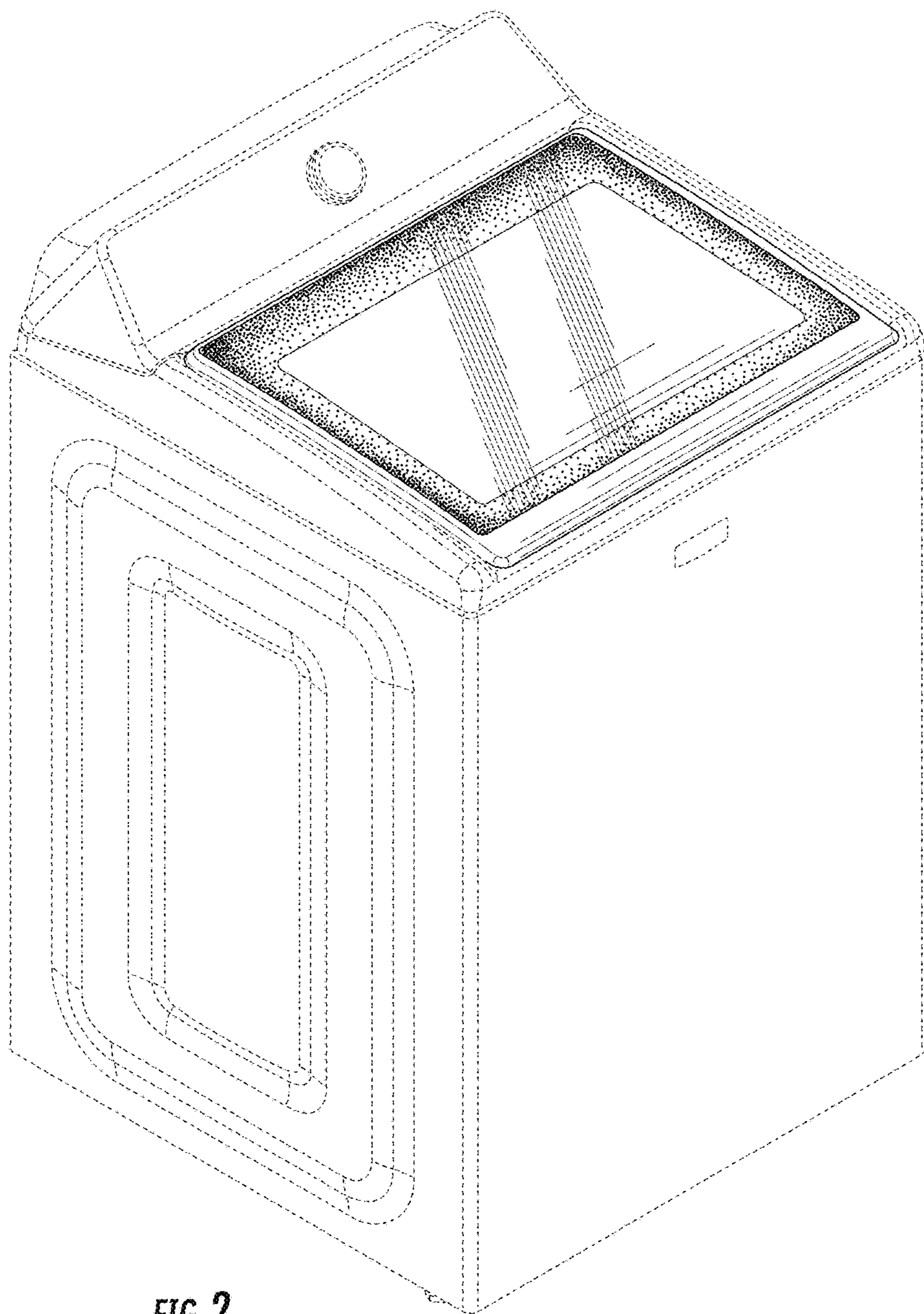


FIG. 2

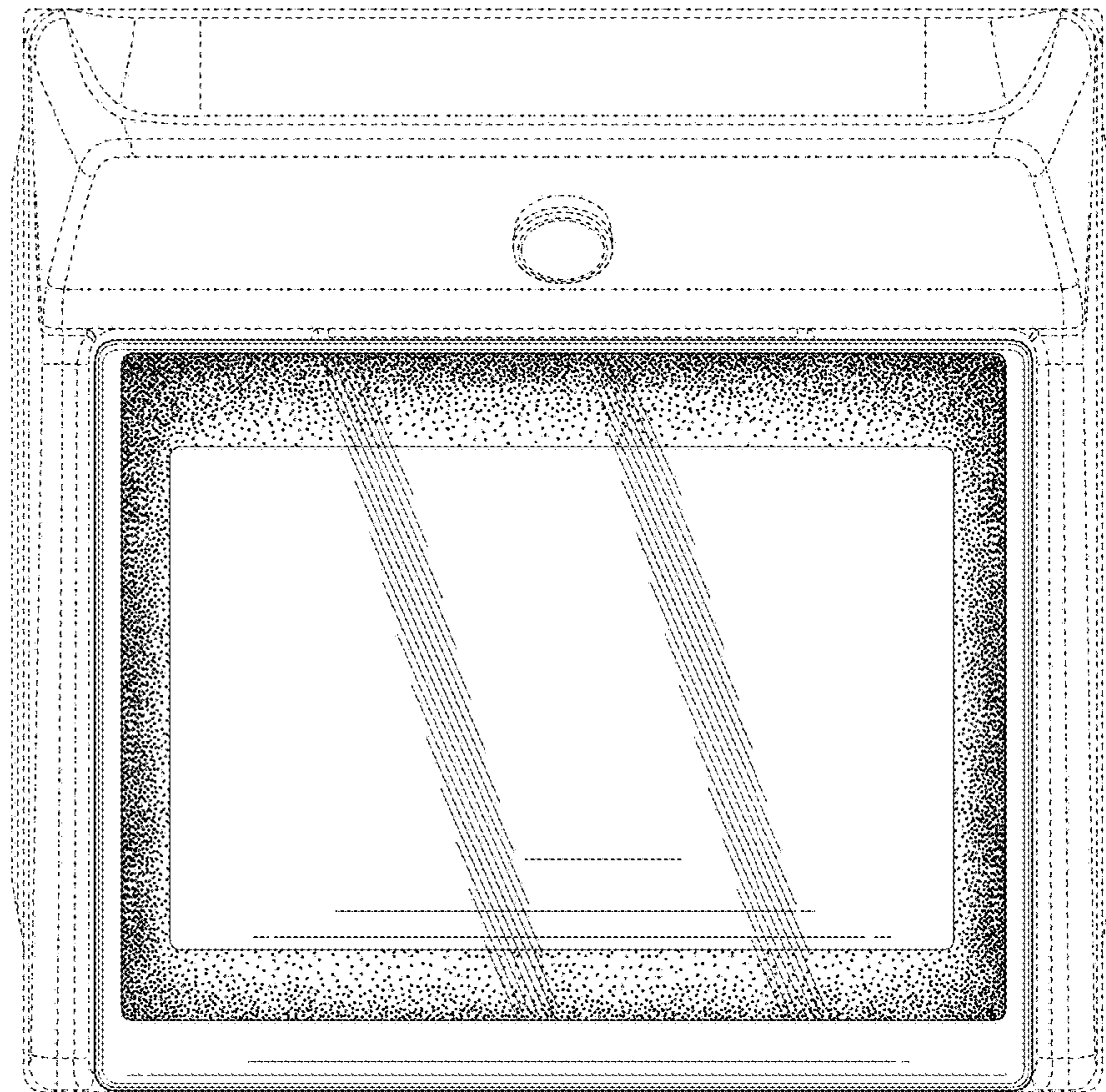


FIG. 3

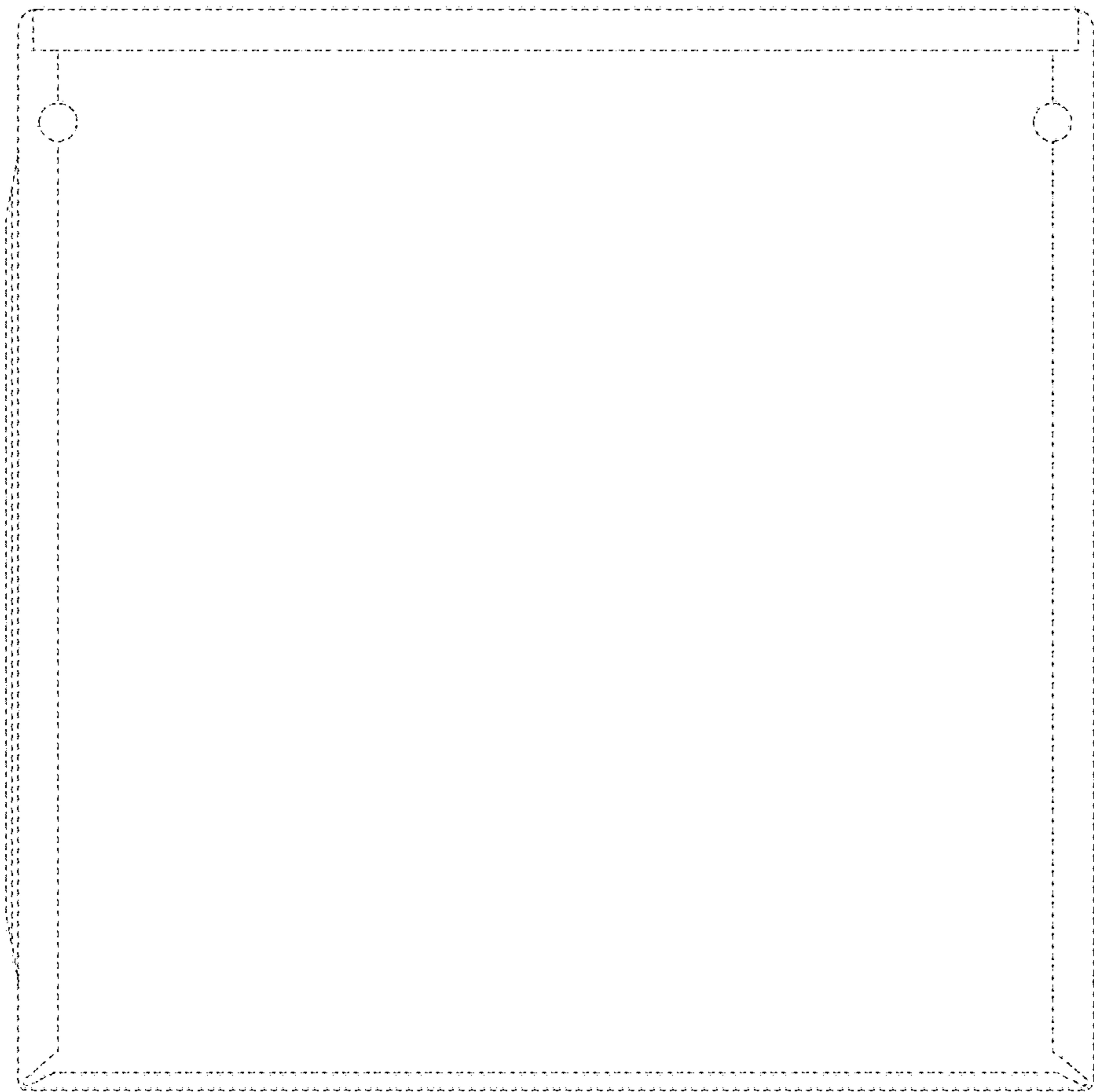


FIG. 4

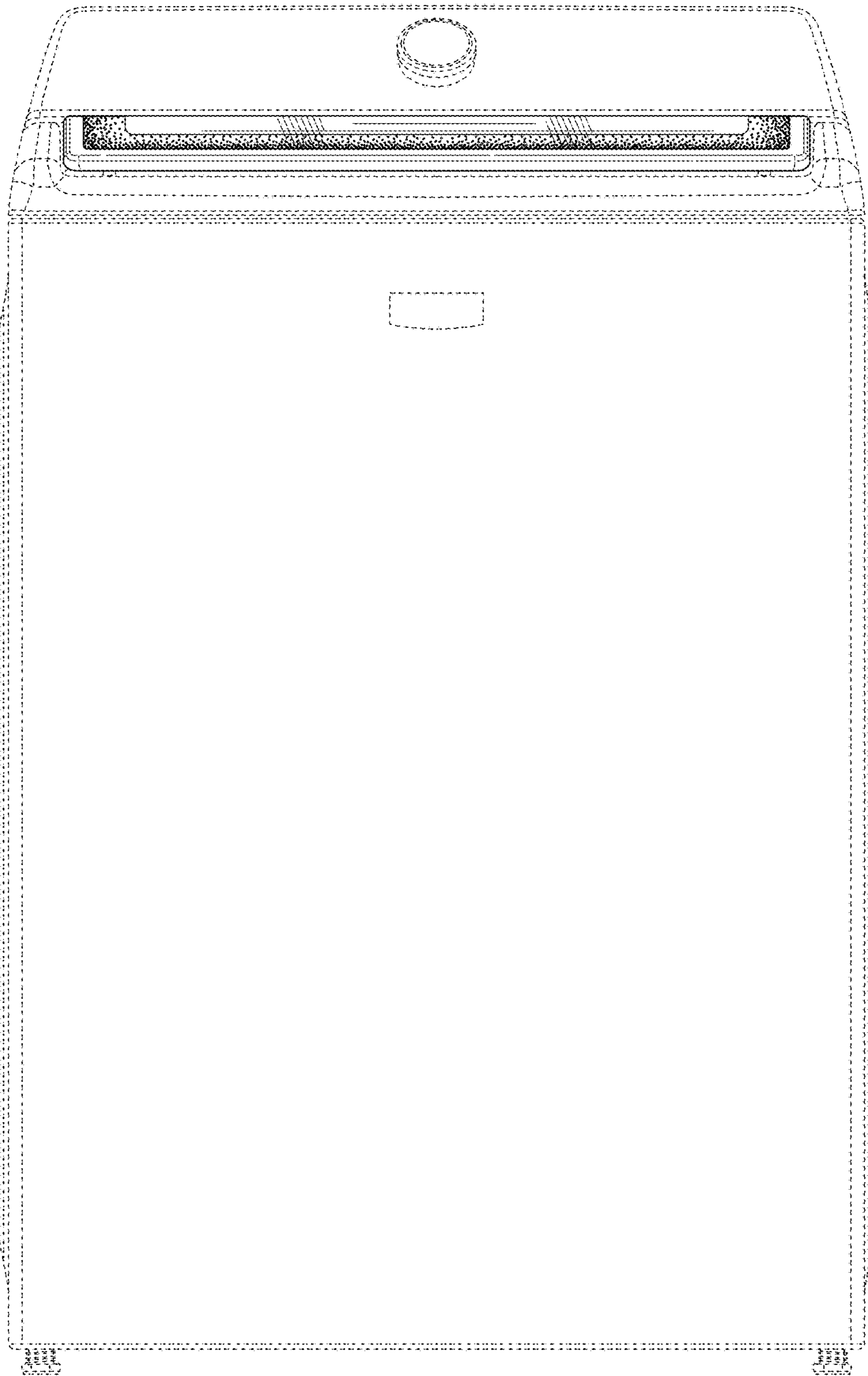


FIG. 5

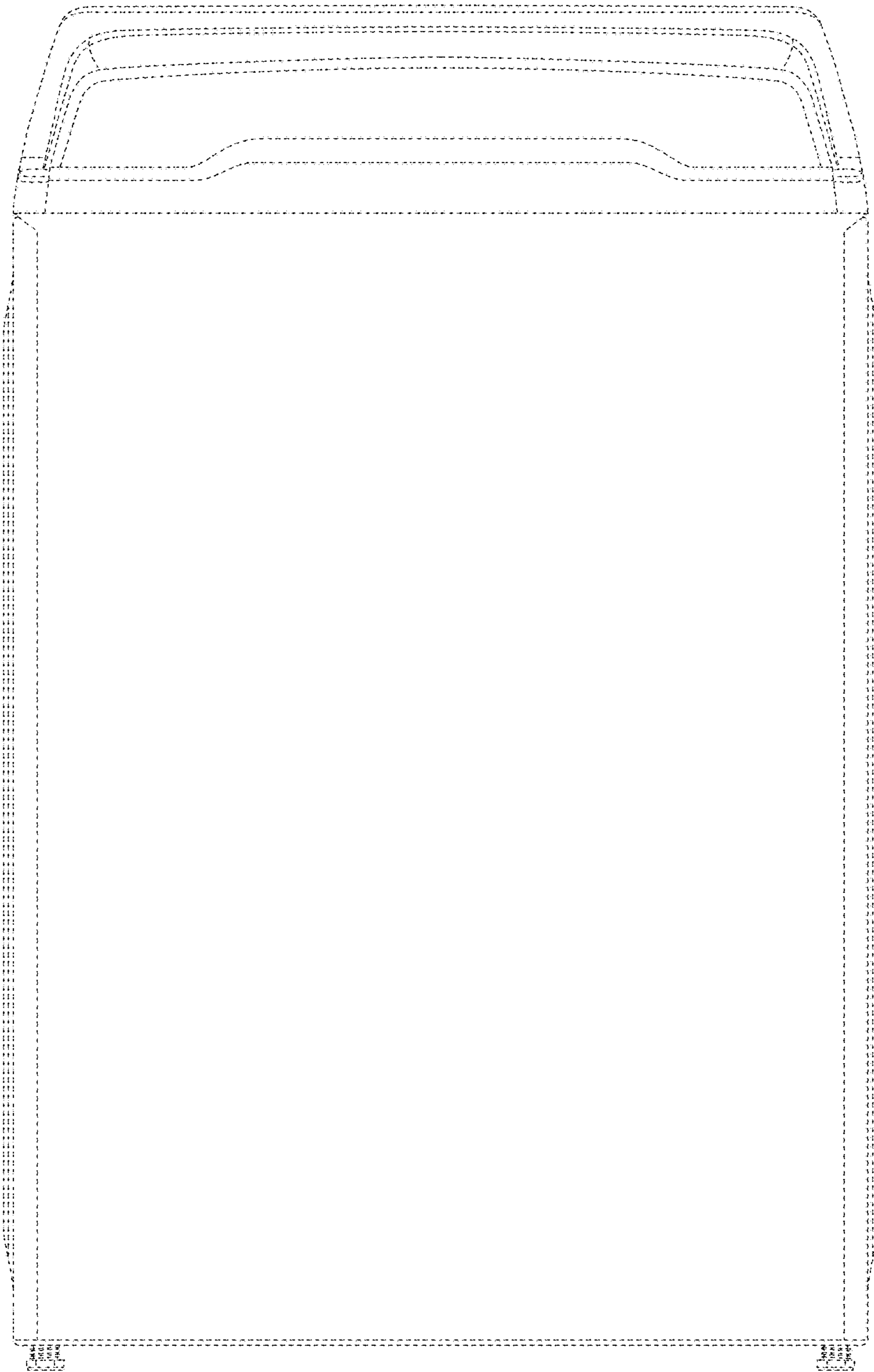


FIG. 6

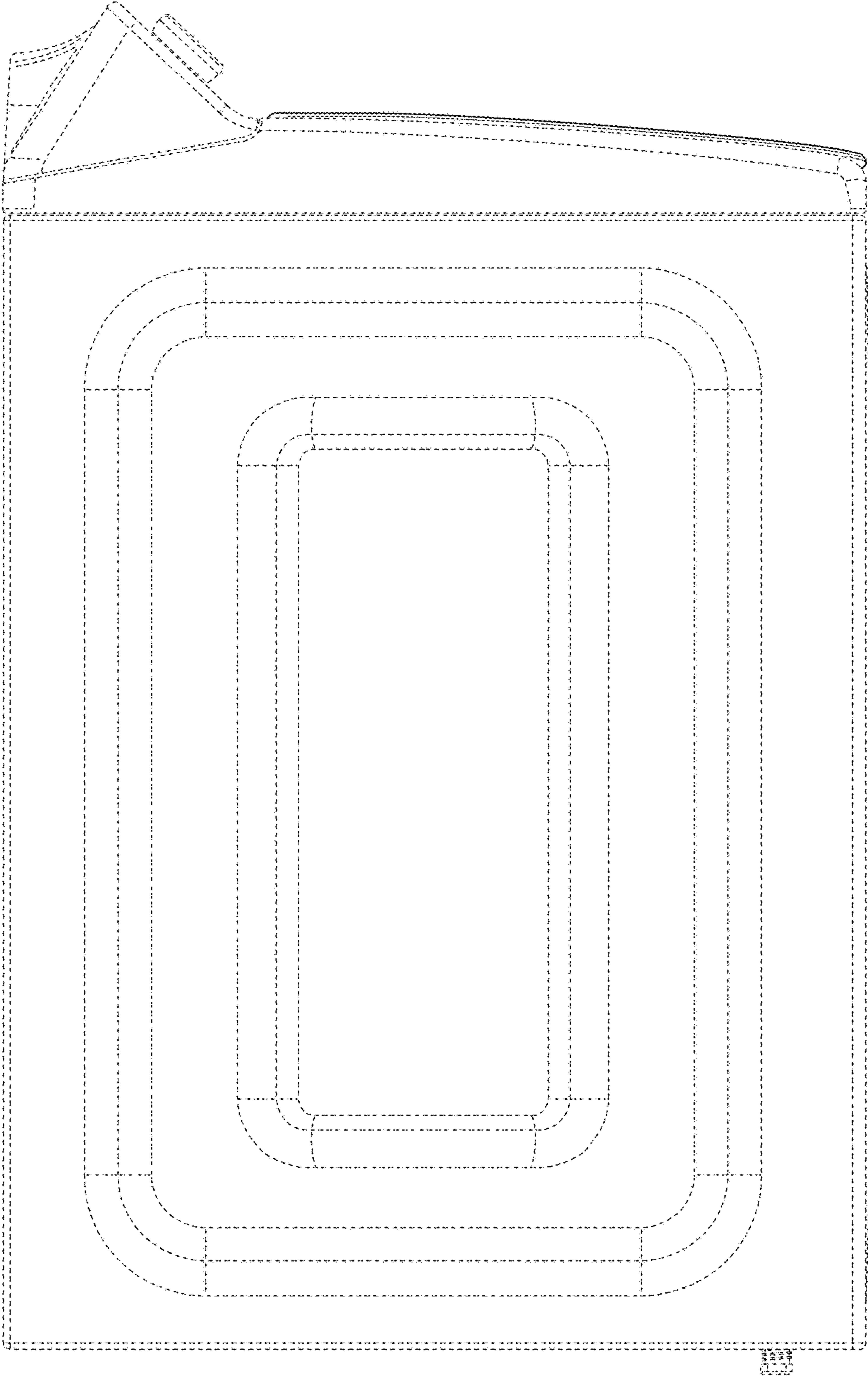


FIG. 7

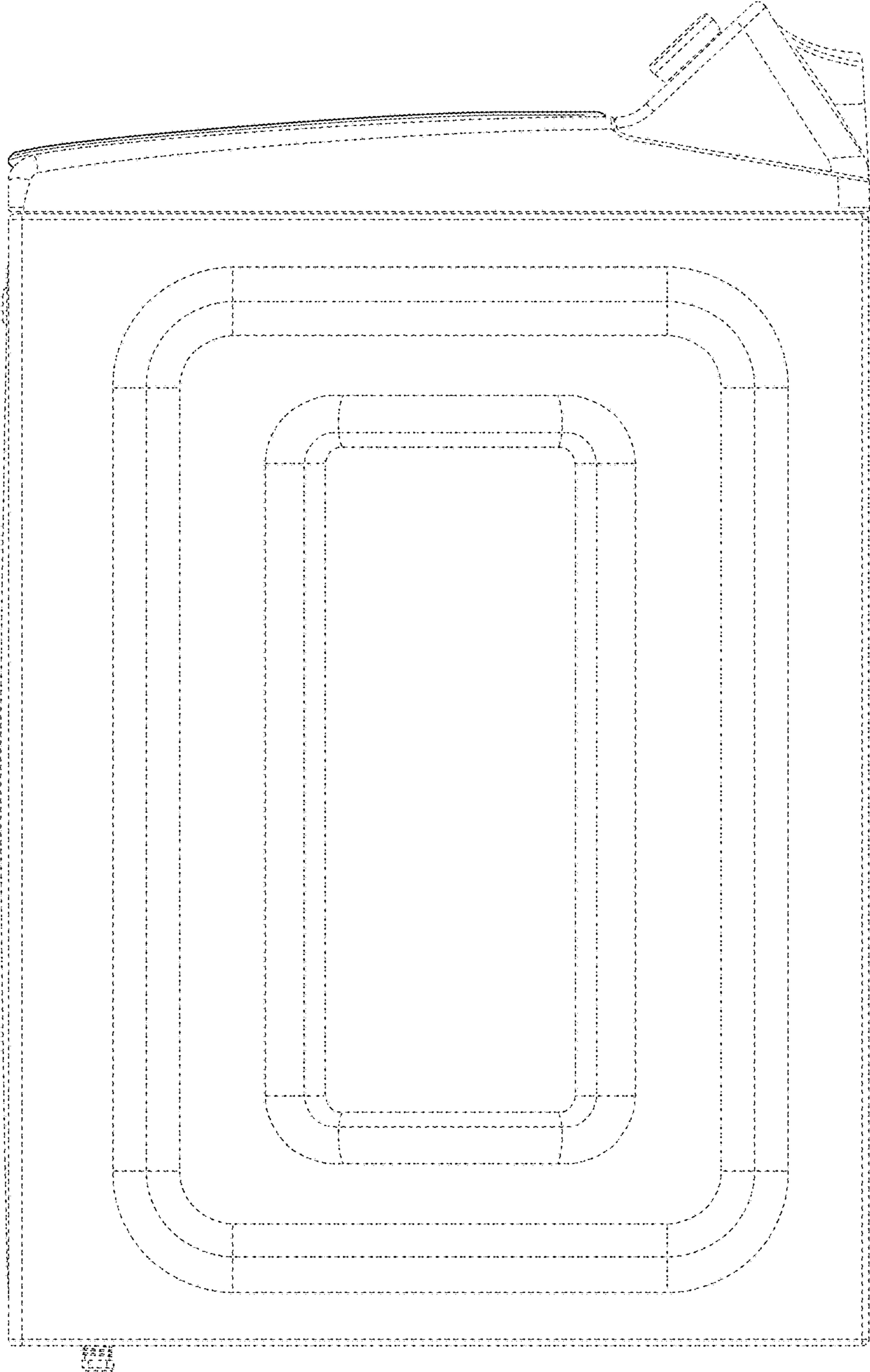


FIG. 8

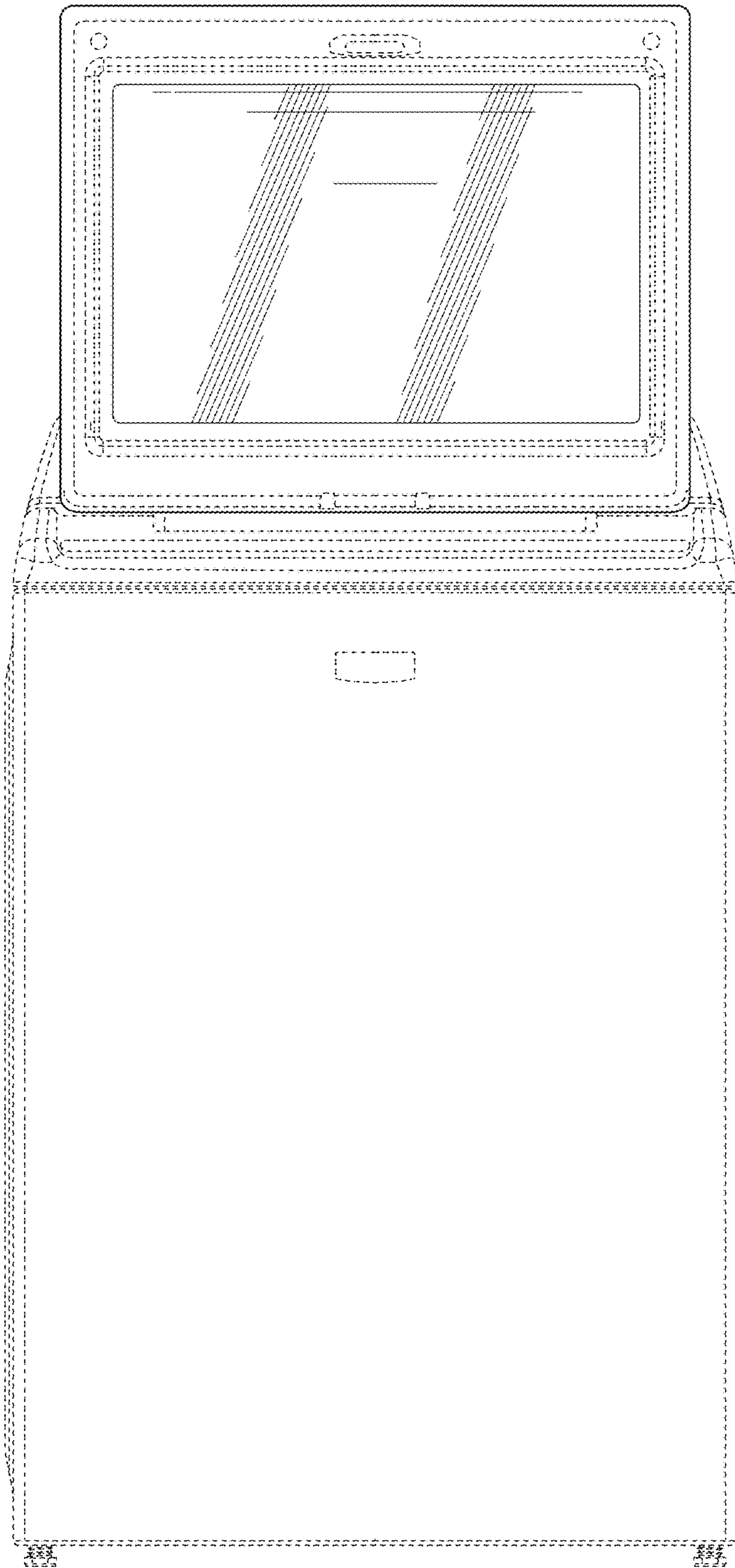


FIG. 9