



US00D797385S

(12) **United States Design Patent**
Hamill et al.

(10) **Patent No.:** **US D797,385 S**
(45) **Date of Patent:** **** Sep. 12, 2017**

- (54) **FETCHING DEVICE FOR PETS**
- (71) Applicant: **iFetch, LLC**, Austin, TX (US)
- (72) Inventors: **Dennis W. Hamill**, Austin, TX (US);
Deborah Lynn Hamill, Austin, TX (US); **Smith Newnam**, Austin, TX (US); **Nick Poteracki**, Austin, TX (US); **Kit Morris**, Austin, TX (US)
- (73) Assignee: **iFetch, LLC**, Austin, TX (US)

(**) Term: **14 Years**

(21) Appl. No.: **29/493,460**

(22) Filed: **Jun. 10, 2014**

(51) **LOC (10) Cl.** **30-99**

(52) **U.S. Cl.**
USPC **D30/160**

(58) **Field of Classification Search**
USPC D30/160; D21/567, 720, 722; 119/702, 119/706-711; 124/16, 54, 78
CPC A01K 1/10; A01K 15/00; A01K 15/02; A01K 15/025; A63B 7/00; A63B 65/10; A63B 65/12; A63B 69/40; A63B 69/406; A63H 27/00; B68B 1/00

See application file for complete search history.

(56) **References Cited**

U.S. PATENT DOCUMENTS

3,611,996	A *	10/1971	Wegner	119/707
3,844,267	A *	10/1974	Mohr	124/78
4,267,799	A *	5/1981	Bacon	119/707
4,323,047	A	4/1982	McIntosh et al.	
4,583,514	A	4/1986	Nozato	
D294,411	S	2/1988	Merriman	
4,834,060	A	5/1989	Greene	
4,865,318	A	9/1989	Lehmann et al.	
4,995,374	A	2/1991	Black	
D340,491	S	10/1993	Nass	
5,529,016	A *	6/1996	Lonsway	119/707

D391,332	S	2/1998	Williams	
5,749,797	A	5/1998	Sunseri et al.	
5,911,214	A	6/1999	Andrews	
6,176,230	B1	1/2001	Thompson	
6,190,271	B1	2/2001	Rappaport et al.	
6,505,576	B2	1/2003	Nathanson et al.	
6,684,819	B1 *	2/2004	Locke	119/707
6,772,745	B2 *	8/2004	McEachen et al.	124/6
6,875,136	B2	4/2005	Leal et al.	
6,880,542	B1	4/2005	Johndreau et al.	
7,089,720	B2	8/2006	Kurt	
7,111,620	B2	9/2006	Johndreau	
7,114,465	B1	10/2006	Winter	

(Continued)

OTHER PUBLICATIONS

Notice of Third Party Submission, U.S. Appl. No. 13/784,377 mailed Feb. 20, 2014, 12 pages.

(Continued)

Primary Examiner — Cathy Anne MacCormac

(74) *Attorney, Agent, or Firm* — Polsinelli PC

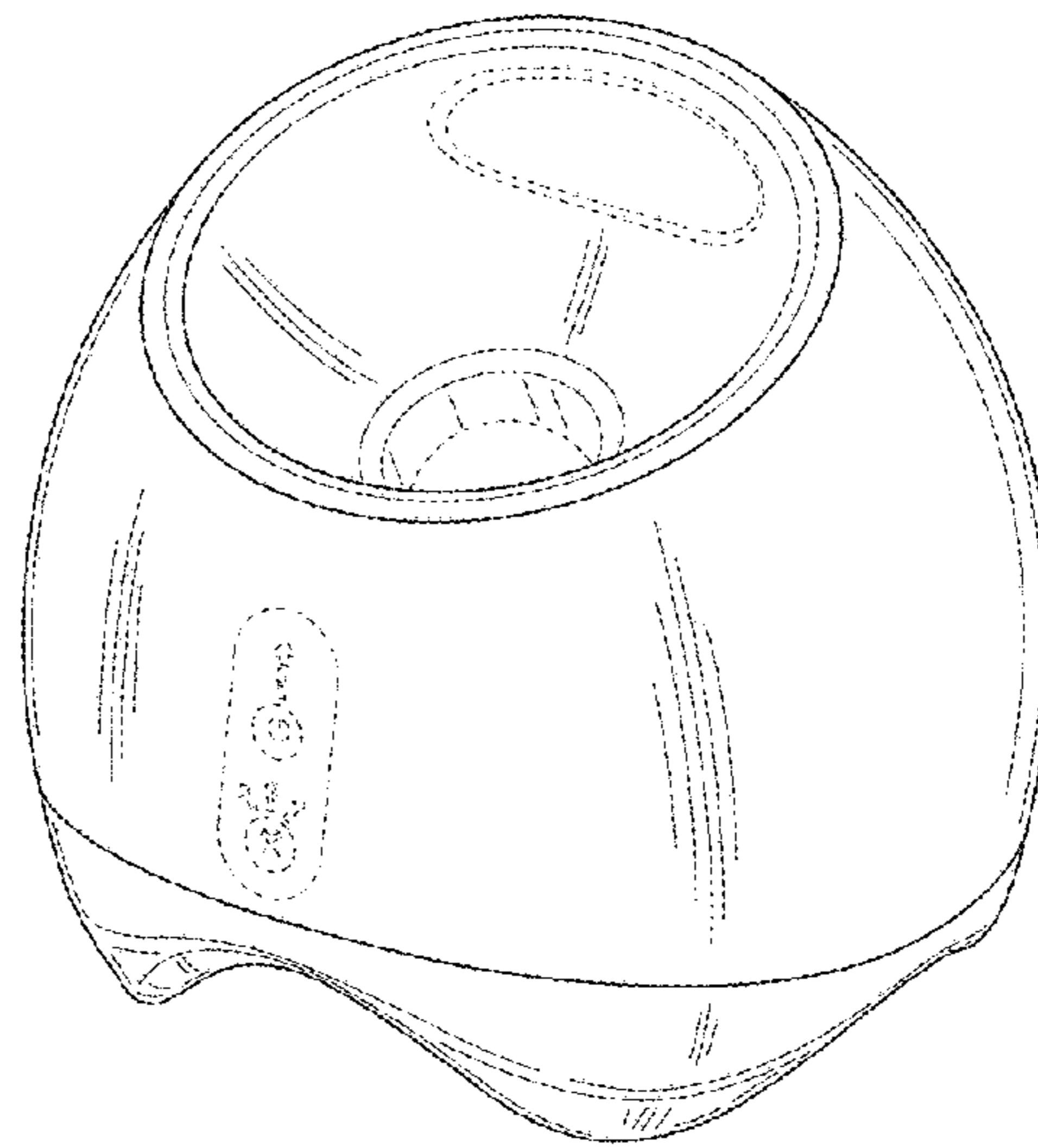
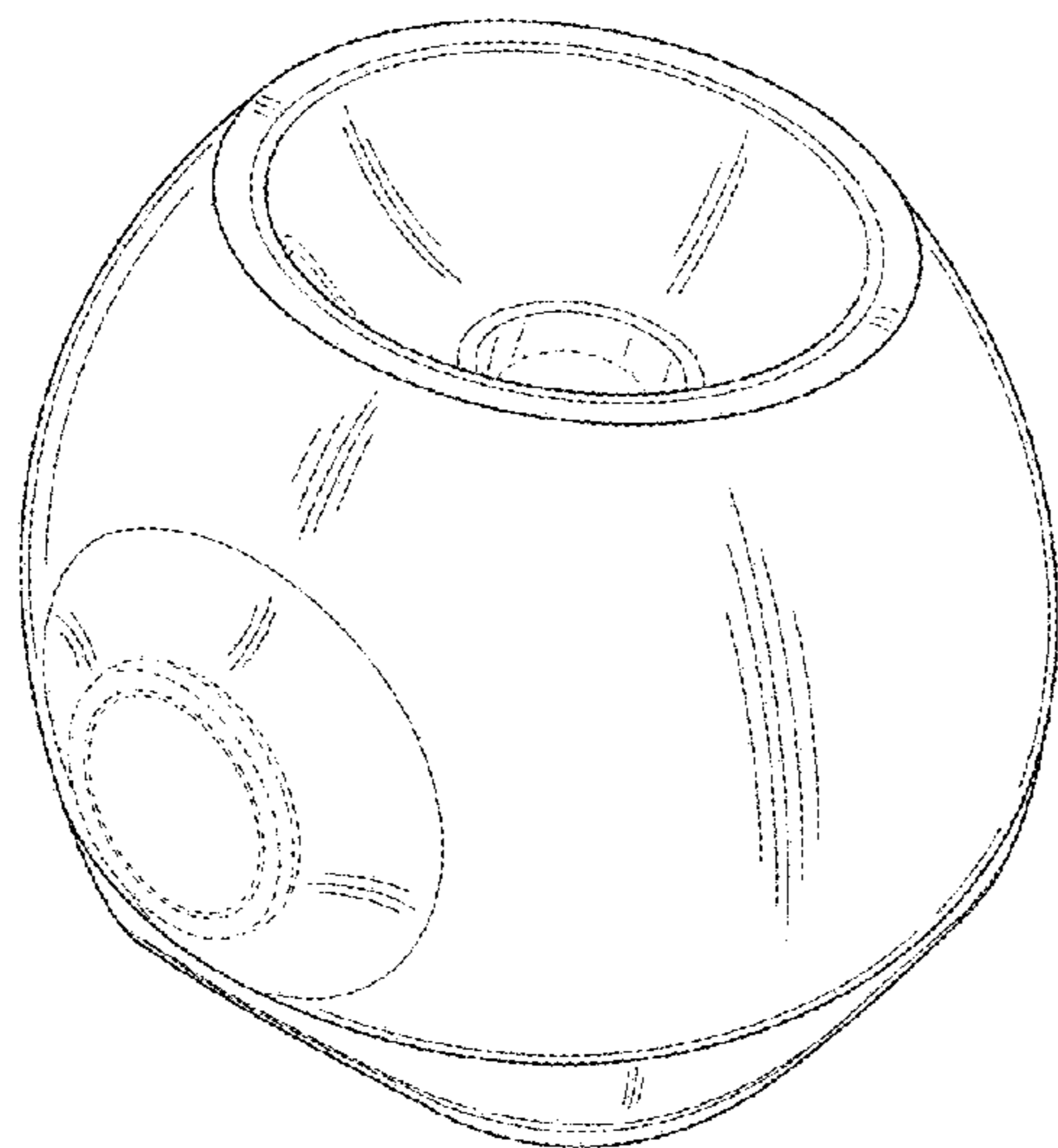
(57) **CLAIM**

The ornamental design for a fetching device for pets, as shown and described.

DESCRIPTION

FIG. 1 is a front perspective view of a fetching device for pets showing our new design.
 FIG. 2 is a back perspective view thereof.
 FIG. 3 is a side view thereof.
 FIG. 4 is a front view thereof.
 FIG. 5 is a back view thereof.
 FIG. 6 is a top view thereof.
 FIG. 7 is a bottom view thereof; and,
 FIG. 8 is a bottom perspective view thereof.
 The broken lines in the Figures depict environmental subject matter that form no part of the claimed design.

1 Claim, 8 Drawing Sheets



(56)

References Cited

U.S. PATENT DOCUMENTS

7,237,546 B2 7/2007 Nozato
7,270,080 B1 9/2007 Kane
7,823,574 B2 11/2010 Chu
8,151,782 B2 4/2012 Huang
D719,706 S * 12/2014 Hamill D30/160
2006/0213453 A1 9/2006 Conrady
2006/0219187 A1 10/2006 Krishnamurthy
2011/0303208 A1 12/2011 Taylor
2013/0228138 A1* 9/2013 Hamill et al. 119/707

OTHER PUBLICATIONS

Office Action with Restriction Requirement, U.S. Appl. No. 13/784,377 mailed Jan. 13, 2015, 7 pages.
Response to Office Action with Restriction Requirement, U.S. Appl. No. 13/784,377, filed Mar. 13, 2015, 12 pages.
Examiner's Report, Canadian Patent App No. CA152818, mailed Mar. 27, 2014 2 pages.

Response to Examiner's Report, Canadian Patent App No. CA152818, mailed Jul. 28, 2014, 8 pages.
Examiner's Report, Australian Patent App No. 351288, mailed Sep. 11, 2014, 6 pages.
Response to Examiner's Report, Australian Patent App No. 351288, filed Nov. 28, 2014, 2 pages.
Second Examiner's Report, Australian Patent App No. 351288, mailed Dec. 16, 2014, 2 pages.
Response to Examiner's Second Report, Australian Patent App No. 351288, filed Mar. 4, 2015, 3 pages.
Examiner's Report, European Patent App No. 13758071.8, mailed Oct. 14, 2014, 3 pages.
Response to Examiner's Report, European Patent App No. 13758071.8, filed Apr. 15, 2015, 8 pages.
Nonfinal Office Action, U.S. Appl. No. 13/784,377 mailed May 1, 2015, 17 pages.
First Office Action, Chinese Patent App No. 2013800225901, mailed Aug. 17, 2015, 25 pages.
Response to Nonfinal Office Action, U.S. Appl. No. 13/784,377, filed Aug. 3, 2015, 6 pages.
Final Office Action, U.S. Appl. No. 13/784,377 mailed Aug. 19, 2015, 11 pages.

* cited by examiner

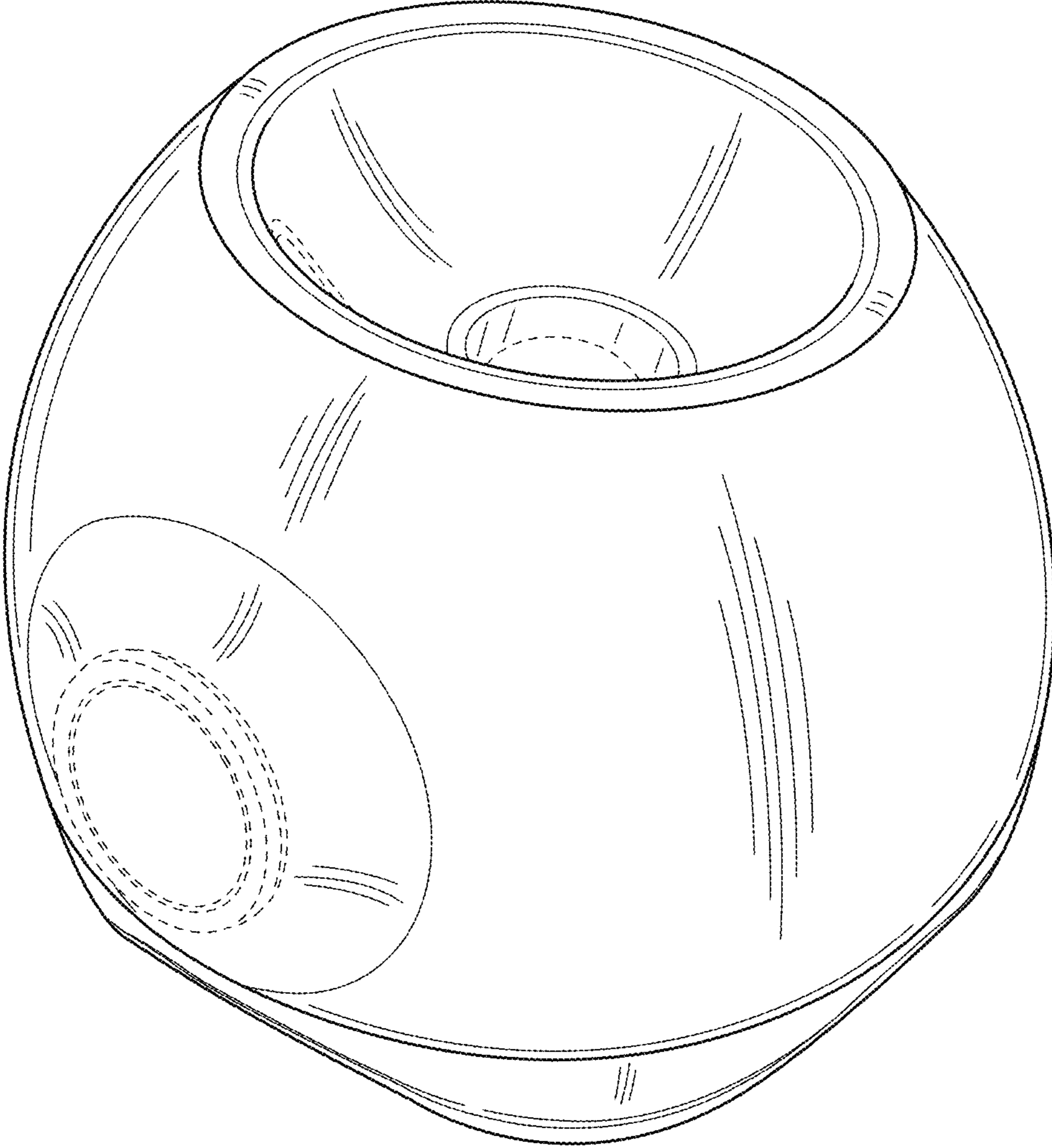


FIG.1

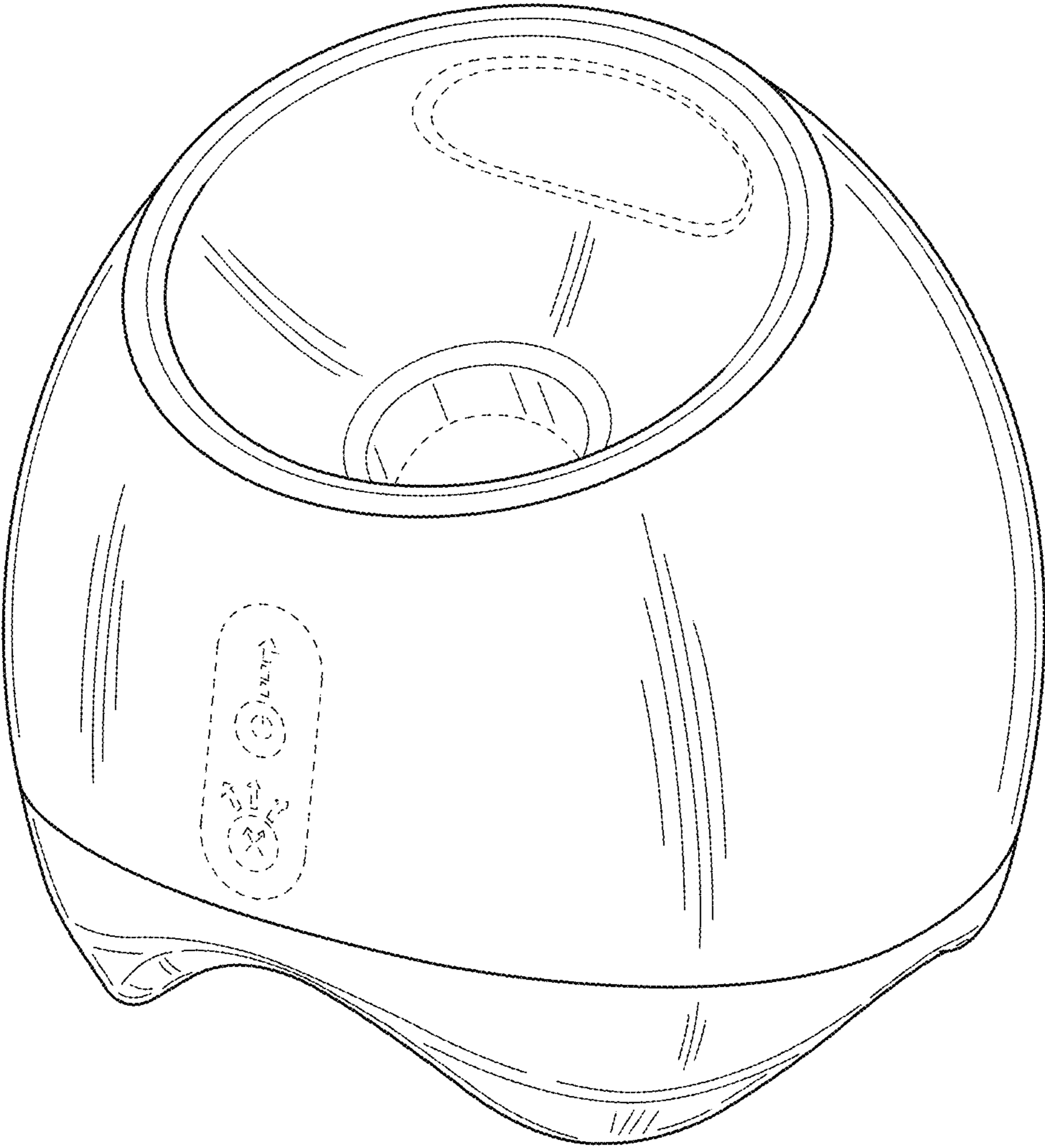


FIG.2

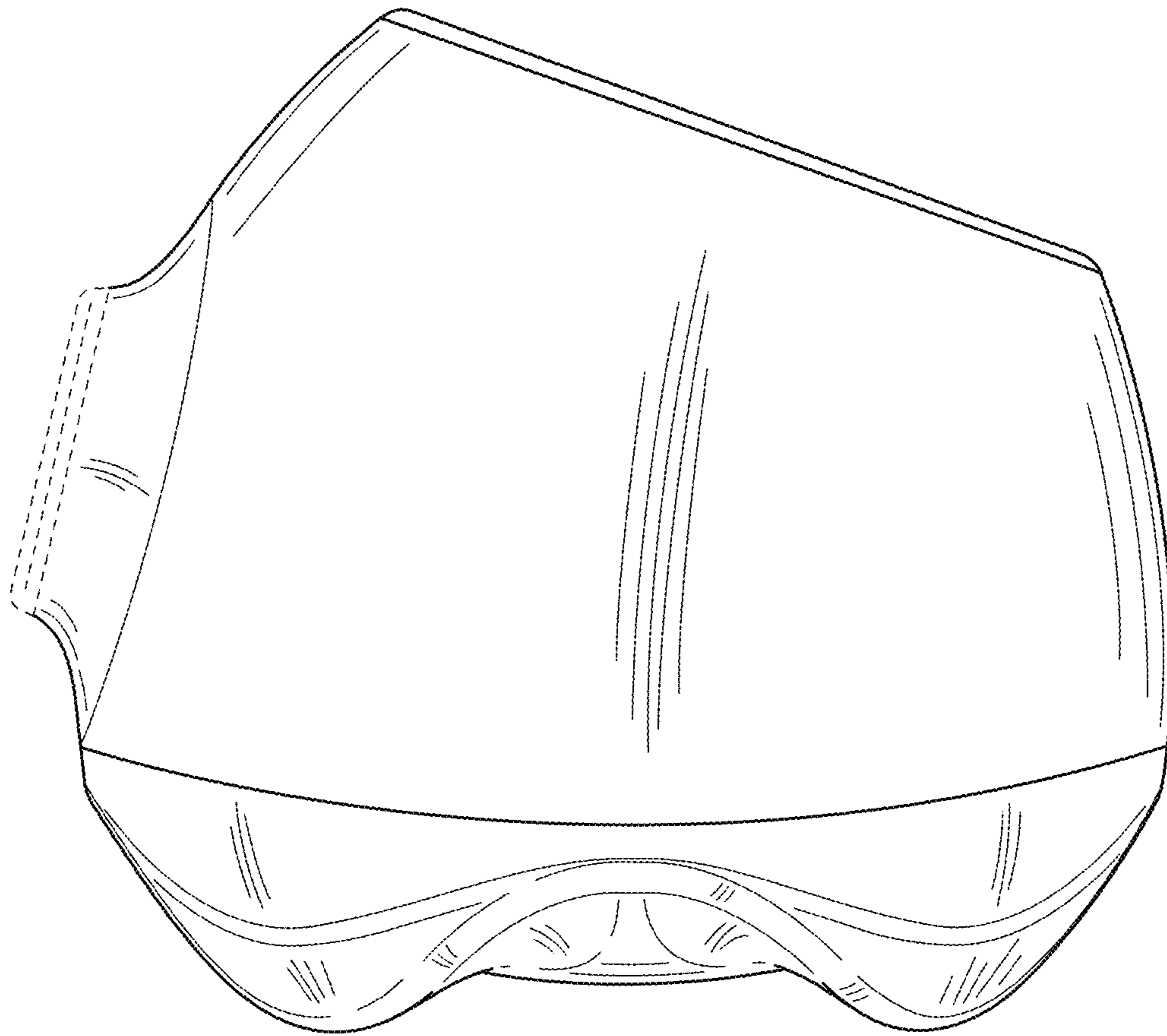


FIG.3

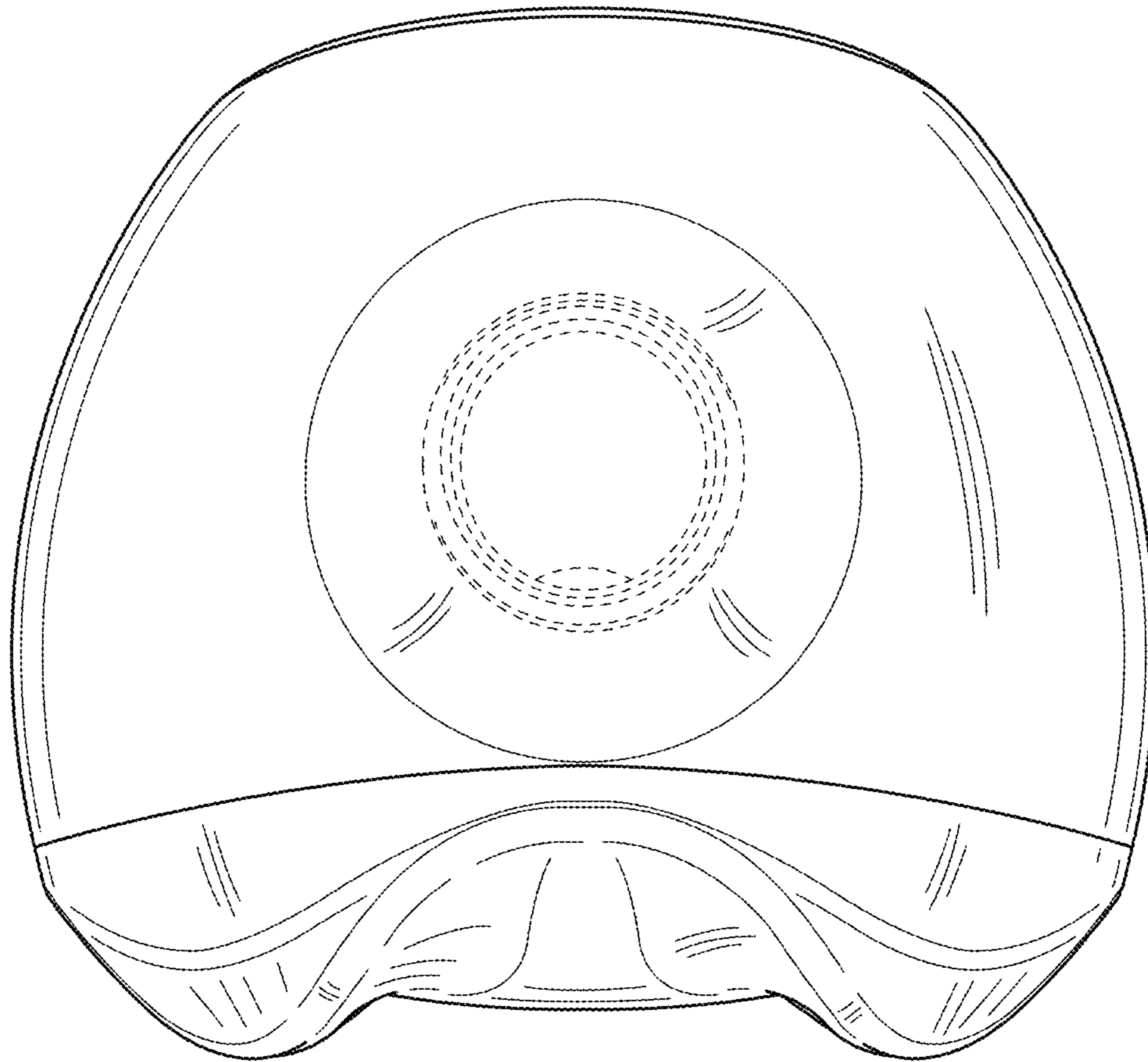


FIG.4

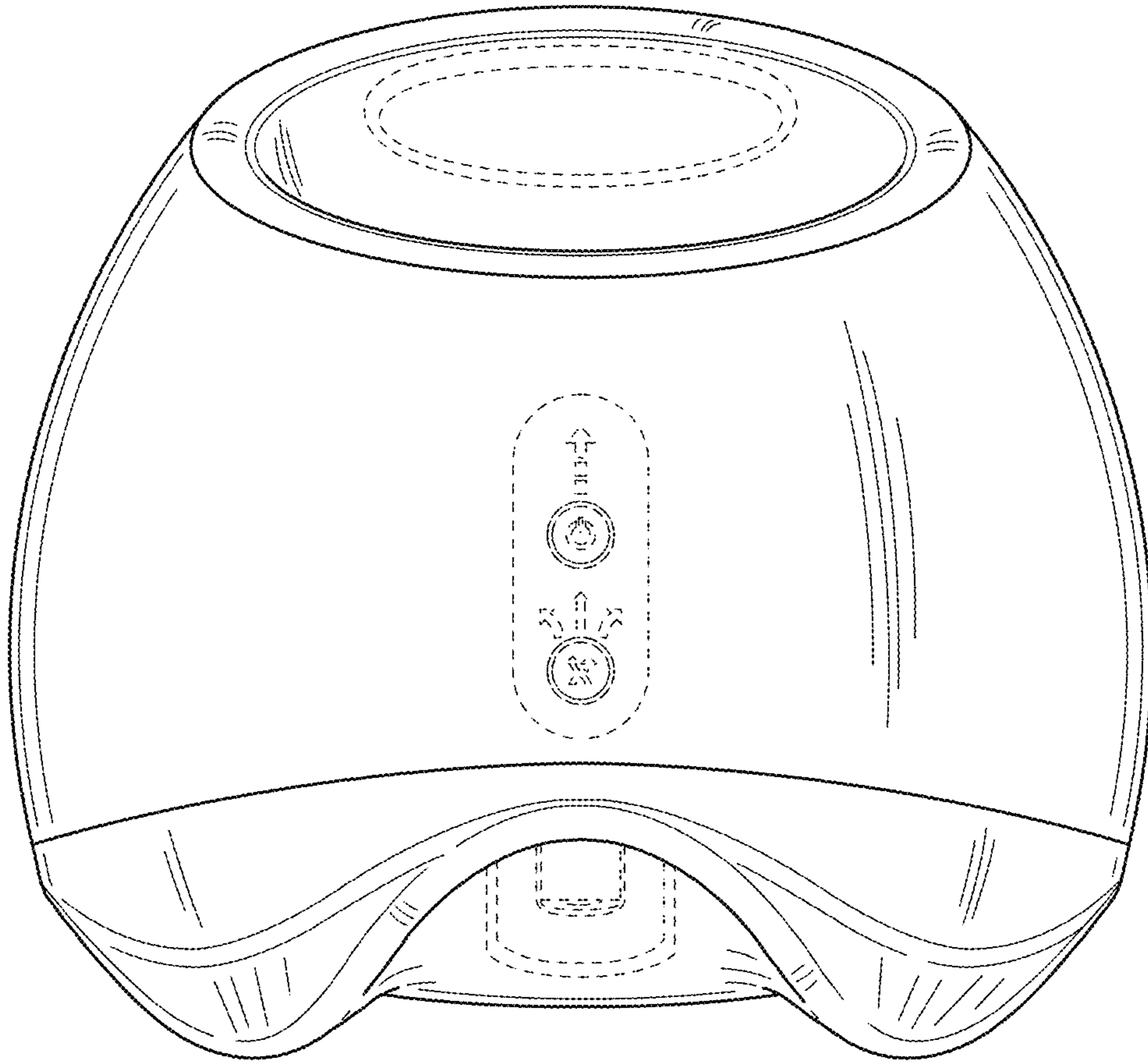


FIG.5

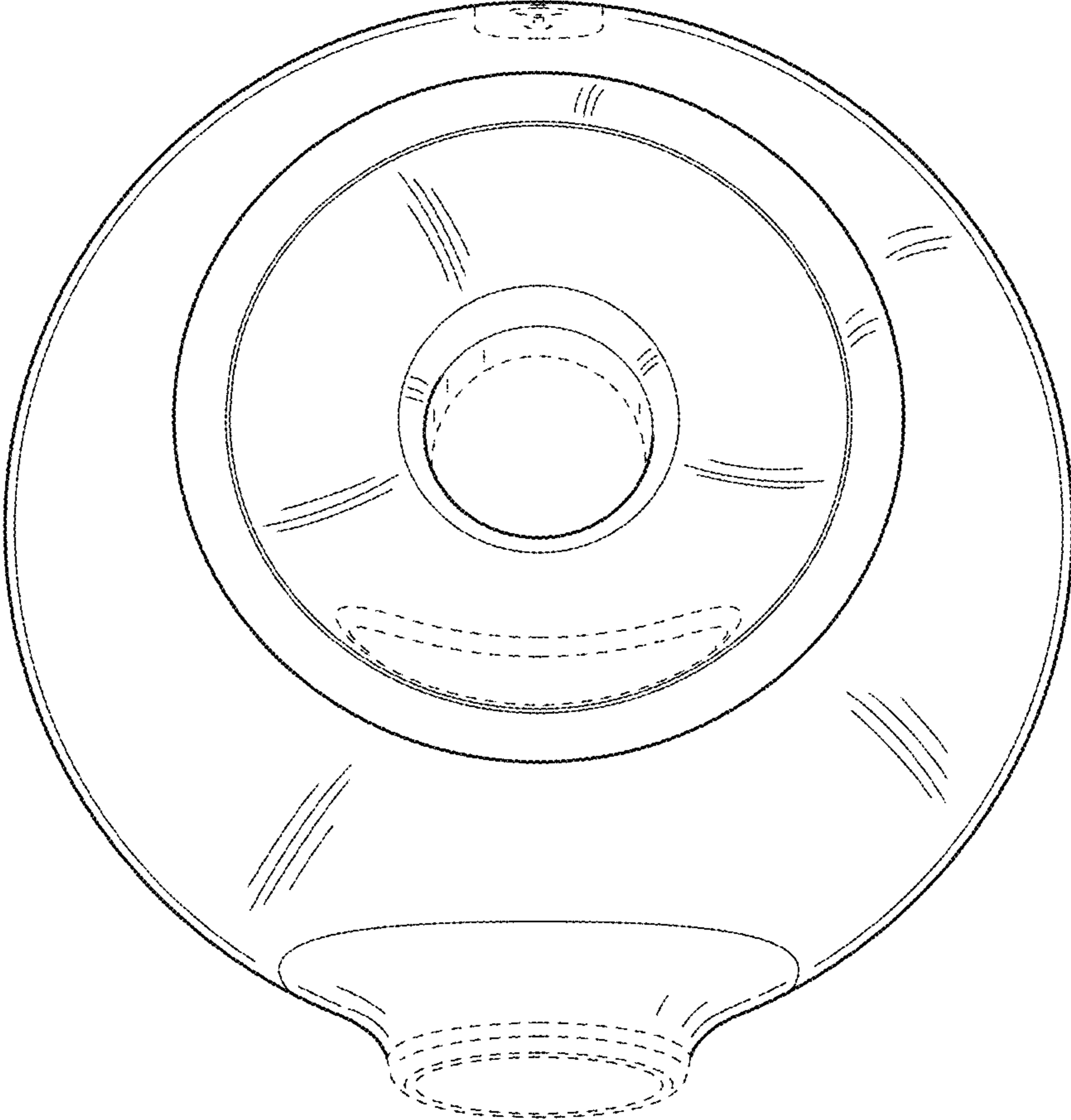


FIG.6

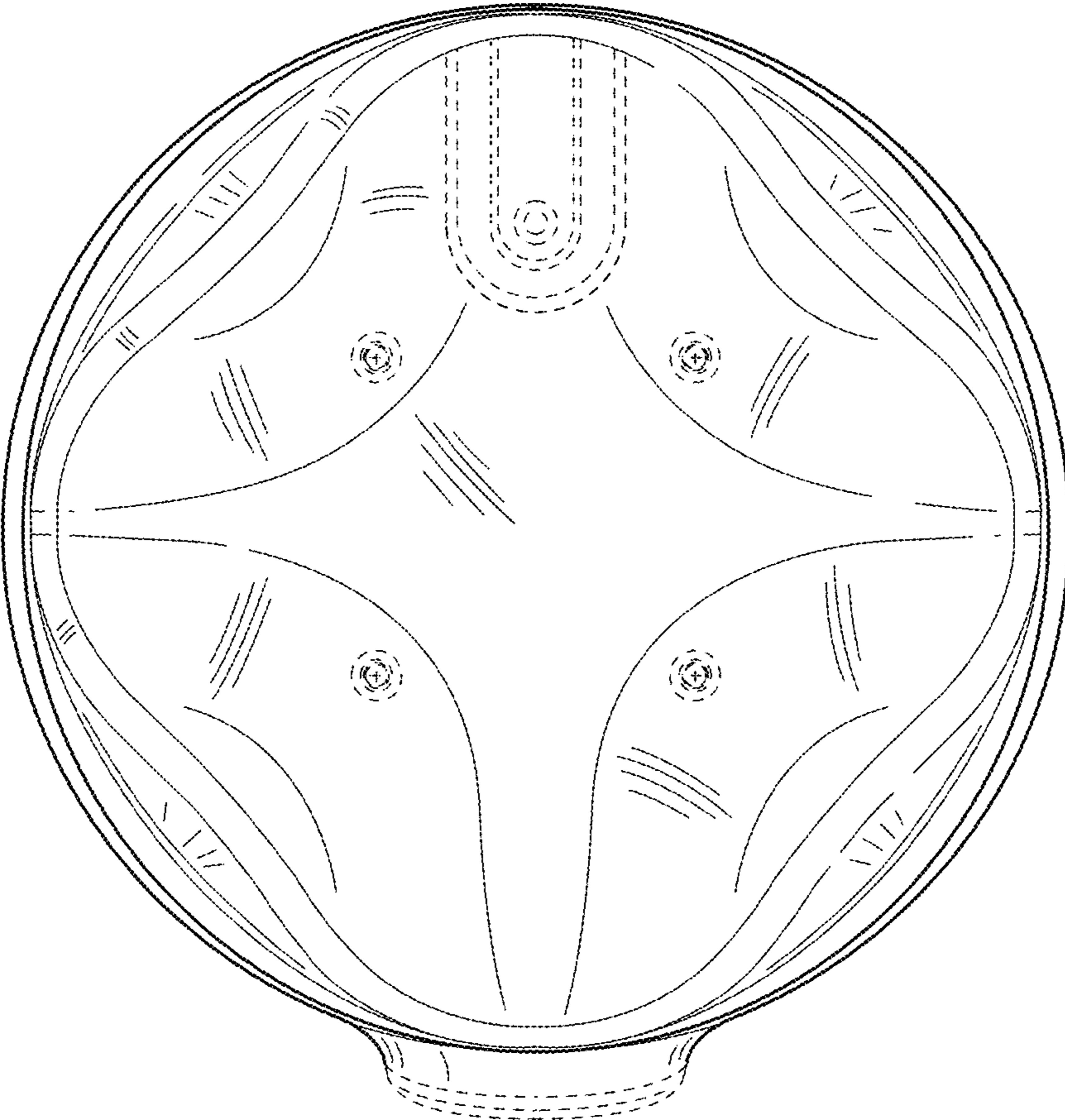


FIG.7

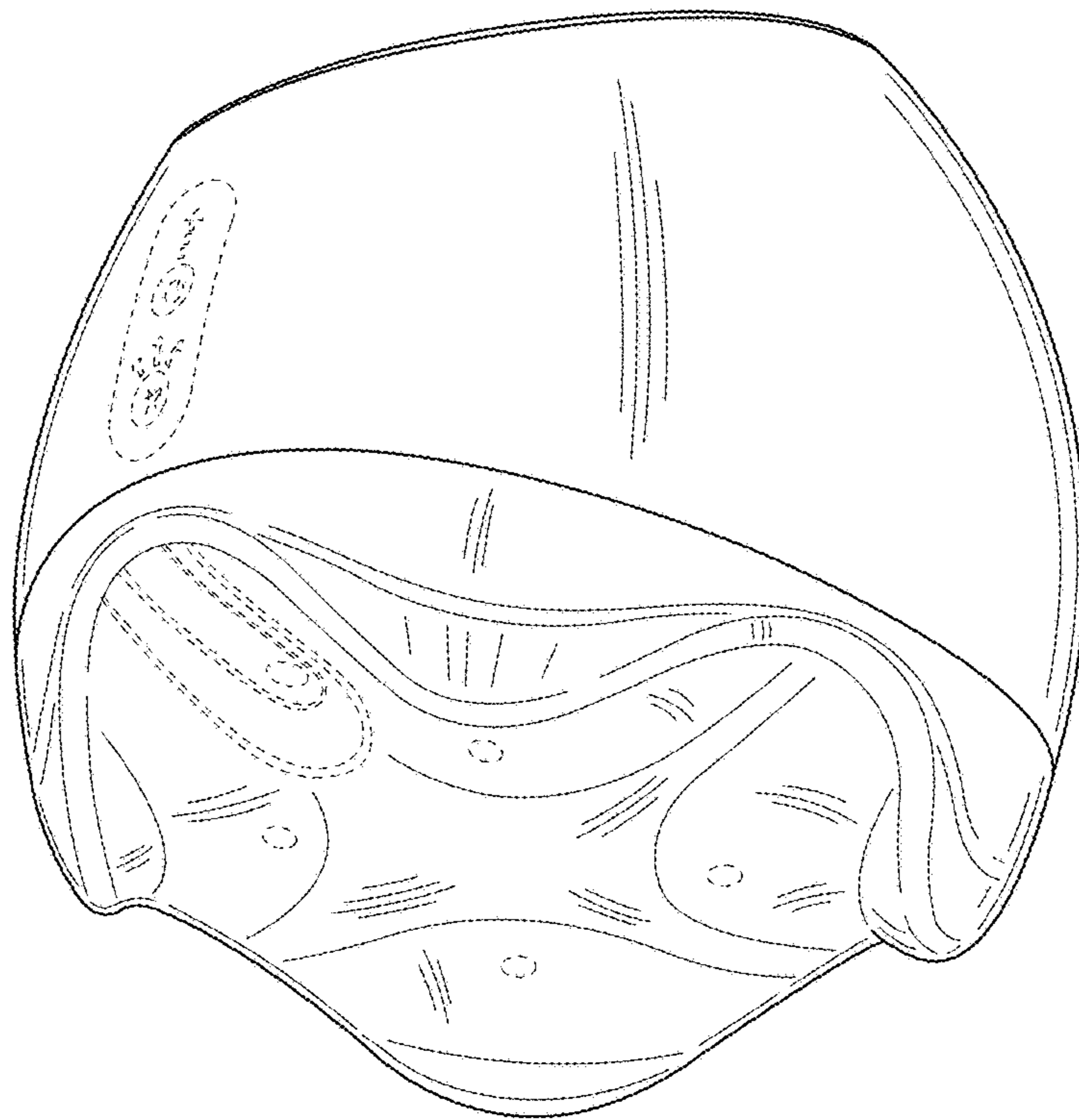


FIG.8