



US00D797383S

(12) **United States Design Patent** (10) **Patent No.:** **US D797,383 S**
Peninger (45) **Date of Patent:** **** Sep. 12, 2017**

(54) **ELEVATED PET FEEDER**
(71) Applicant: **Stout Stuff, LLC**, Bentonville, AR (US)
(72) Inventor: **Kelly Peninger**, Rogers, AR (US)
(73) Assignee: **Stout Stuff, LLC**, Bentonville, AR (US)
(**) Term: **15 Years**
(21) Appl. No.: **29/572,922**
(22) Filed: **Aug. 1, 2016**
(51) **LOC (10) Cl.** **30-03**
(52) **U.S. Cl.**
USPC **D30/133**
(58) **Field of Classification Search**
USPC D30/133, 121, 128, 130, 132; 119/52.1, 119/55, 61.5, 61.6, 61.57, 61.56; D6/480-485; 248/188; 312/204; 108/153.1-157
CPC A01K 5/00; A01K 5/01; A01K 5/0107; A01K 5/0114; A01K 5/0121; A01K 5/0128; A01K 5/0135; A01K 7/005
See application file for complete search history.

(56) **References Cited**
U.S. PATENT DOCUMENTS
D237,787 S * 11/1975 Gower D30/133
D257,914 S * 1/1981 Wooters D12/419
D315,974 S * 4/1991 Steiner D30/131
D326,542 S * 5/1992 Bain, Jr. D30/129
D342,350 S * 12/1993 Gower D30/133
D412,377 S * 7/1999 Sharon D30/130
D412,605 S * 8/1999 Sharon D30/129
6,186,095 B1 * 2/2001 Simon A01K 15/025
119/707
D448,978 S * 10/2001 Isbell D7/619.1
D505,523 S * 5/2005 Rahman D30/133

D515,878 S * 2/2006 Czepowicz D7/619.1
D551,400 S * 9/2007 Tsengas D30/133
D563,607 S * 3/2008 Northrop D30/129
D577,466 S * 9/2008 Shamoon D30/121
D592,814 S * 5/2009 Uffner D30/130
D618,862 S * 6/2010 Shamoon D30/121
D625,885 S * 10/2010 Bianchi D30/129
D634,167 S * 3/2011 Foster D7/700
D646,440 S * 10/2011 Chance D30/130
D647,668 S * 10/2011 Siklosi D30/130
D662,674 S * 6/2012 Tsengas D30/130
D669,231 S * 10/2012 Chance D30/130
D677,576 S * 3/2013 Gridley D9/601
D679,197 S * 4/2013 Dos Santos D9/601
D679,455 S * 4/2013 Chance D30/130
D685,141 S * 6/2013 Dixon D30/129
D687,938 S * 8/2013 Furner D23/366
D688,027 S * 8/2013 Smith D1/106

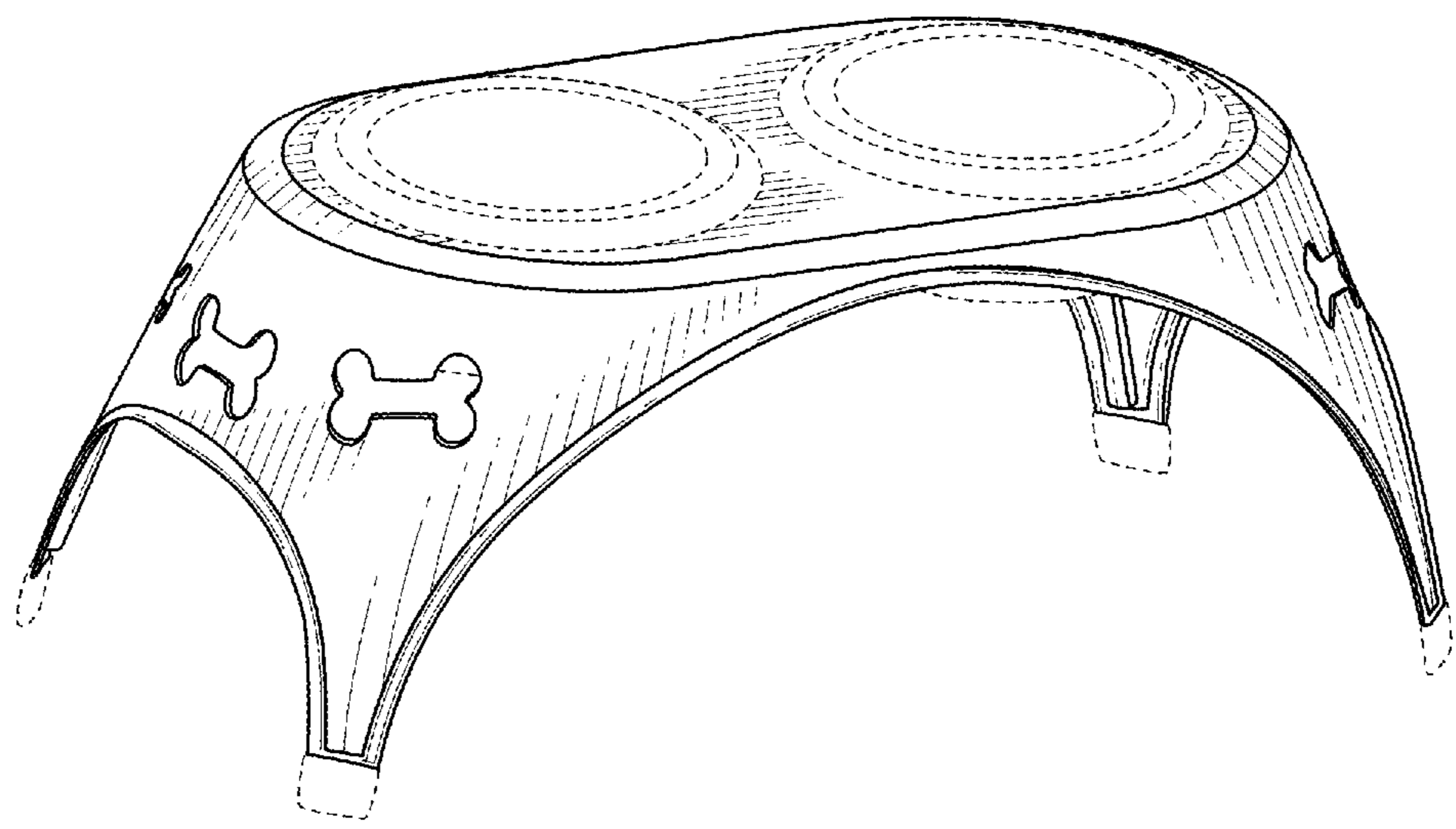
(Continued)

Primary Examiner — Susan Moon Lee
(74) *Attorney, Agent, or Firm* — Thomas J. Oppold; Larkin Hoffman Daly & Lindgren, Ltd.

(57) **CLAIM**
The ornamental design for an elevated pet feeder, as shown and described.

DESCRIPTION
FIG. 1 is a front perspective view of an elevated pet feeder in accordance with my new design;
FIG. 2 is a front elevation view thereof;
FIG. 3 is a rear elevation view thereof;
FIG. 4 is a right side elevation view thereof;
FIG. 5 is a left side elevation view thereof;
FIG. 6 is a top plan view thereof; and,
FIG. 7 is a bottom plan view thereof.
The broken lines and unshaded portions contained within broken lines depict exemplary elements of the feeder that are shown for illustrative purposes only and that form no part of the claimed design.

1 Claim, 4 Drawing Sheets



(56)

References Cited

U.S. PATENT DOCUMENTS

D702,077 S * 4/2014 Endres D7/354
D770,099 S * 10/2016 Jones D30/129
D782,128 S * 3/2017 Wechsler D30/121
2006/0130769 A1* 6/2006 Nichols A01K 5/0114
119/58
2006/0196436 A1* 9/2006 Nichols A01K 5/0114
119/61.53
2008/0216753 A1* 9/2008 Wang A01K 5/0114
119/61.1
2009/0126641 A1* 5/2009 Anderson A01K 5/0135
119/61.5
2009/0199775 A1* 8/2009 Shamoan A01K 5/0114
119/61.56
2010/0107984 A1* 5/2010 Uffner A01K 5/0128
119/61.5
2010/0275852 A1* 11/2010 Lipscomb A01K 5/0114
119/61.5
2013/0125823 A1* 5/2013 Simon A01K 5/0135
119/61.5
2014/0346293 A1* 11/2014 Qiu A01K 5/0114
248/176.1

* cited by examiner

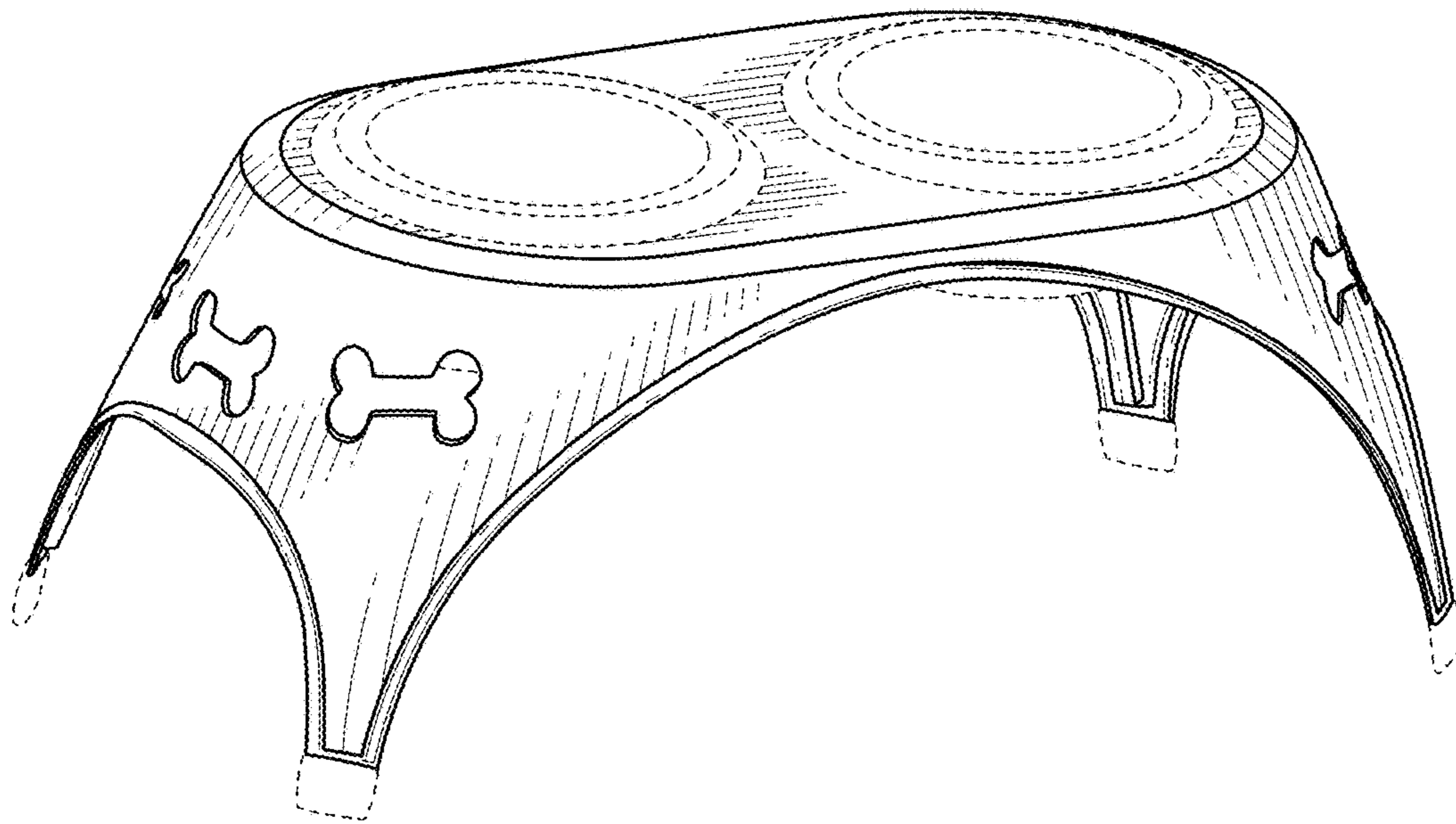


FIG. 1

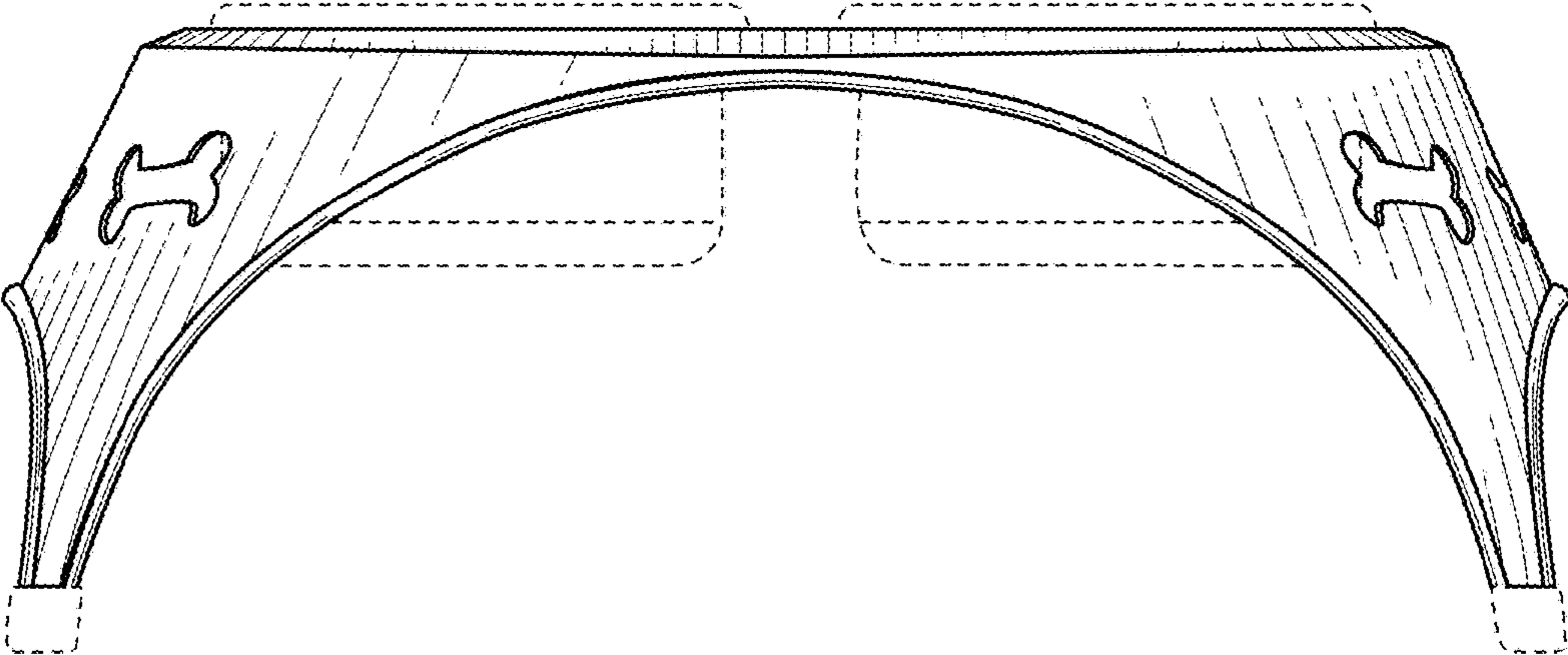


FIG. 2

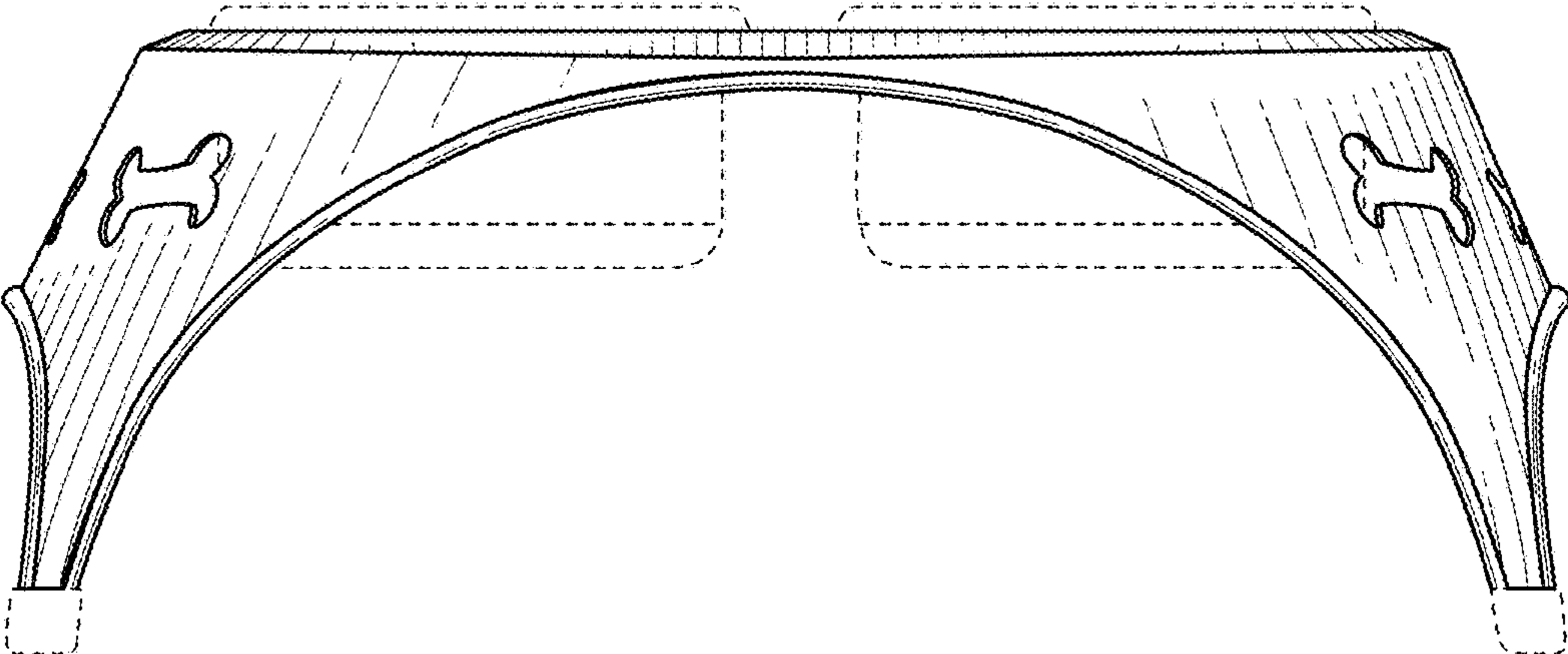


FIG. 3

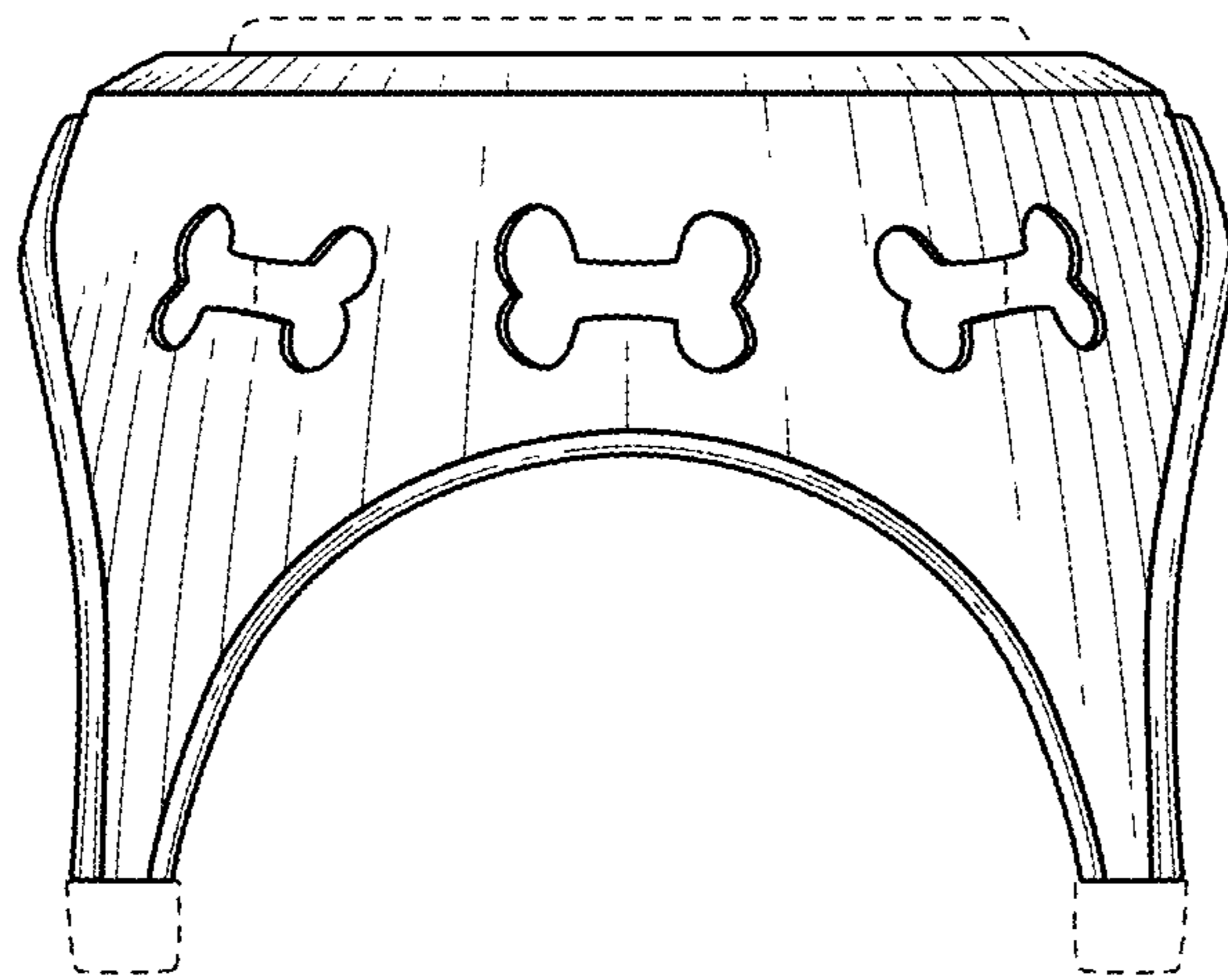


FIG. 4

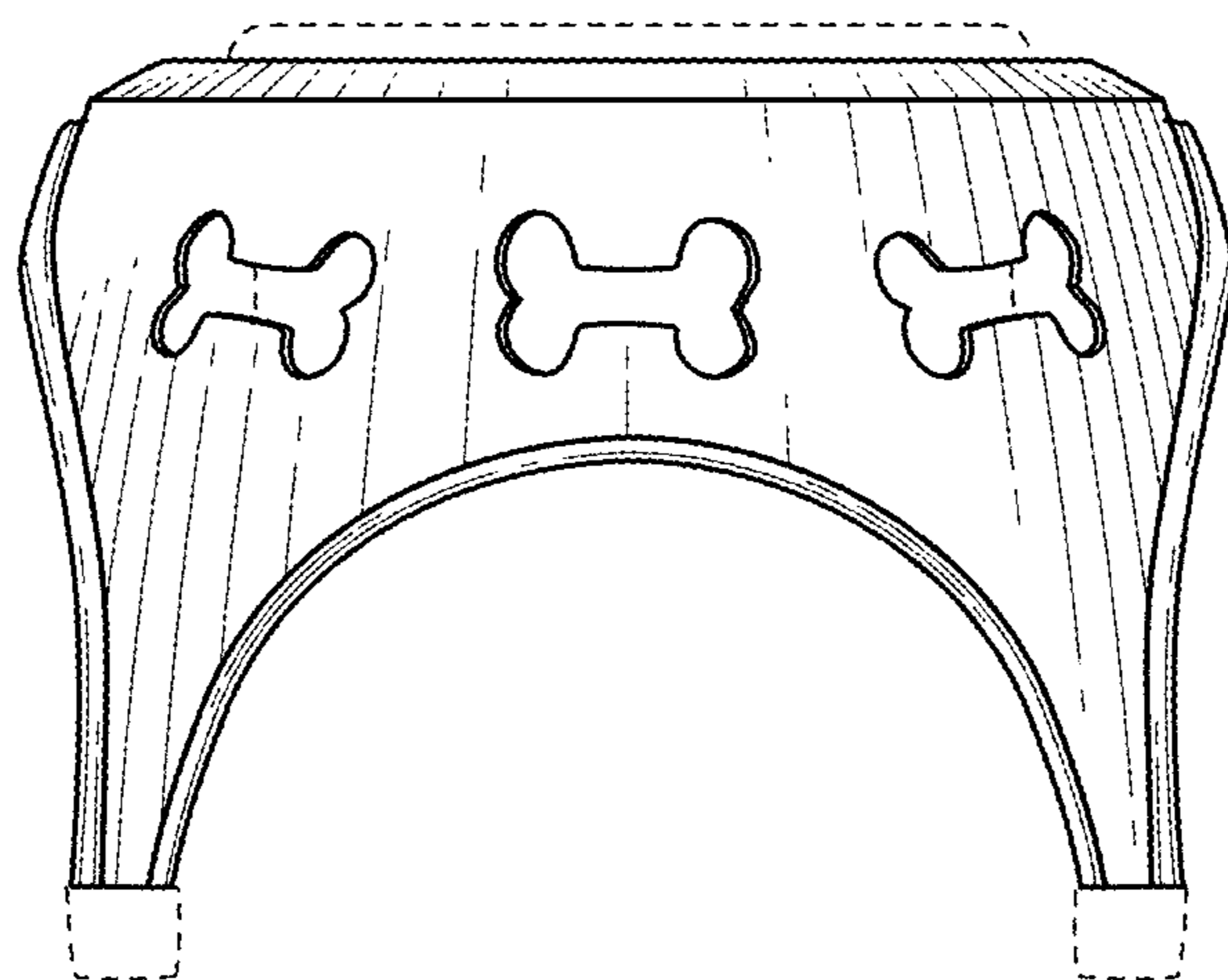


FIG. 5

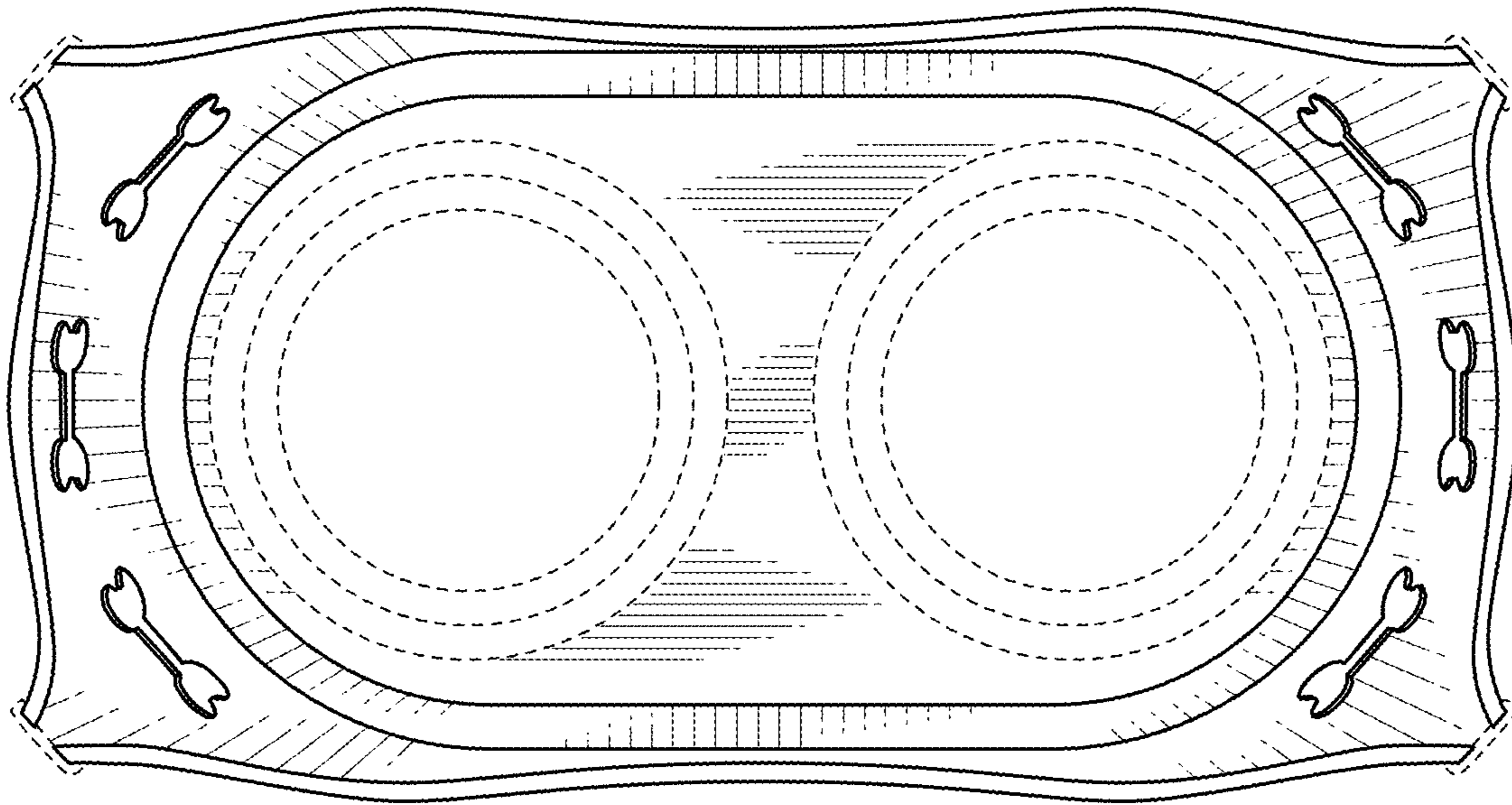


FIG. 6

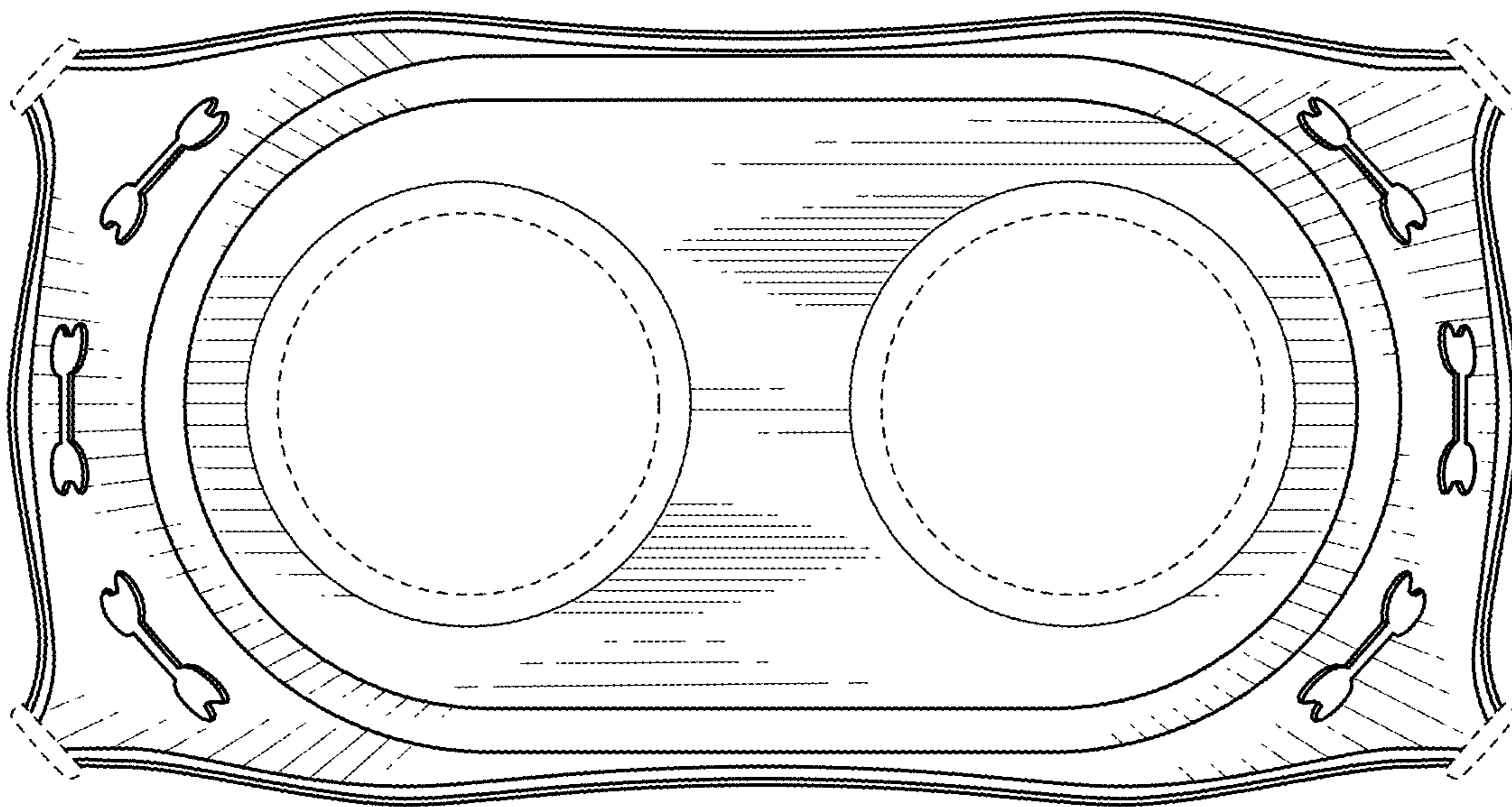


FIG. 7