

US00D797379S

(12) **United States Design Patent**  
**Patel et al.**

(10) **Patent No.:** **US D797,379 S**

(45) **Date of Patent:** **\*\* \*Sep. 12, 2017**

(54) **MOUTH GUARD**

(71) Applicant: **SMRT IP, LLC**, Midlothian, VA (US)

(72) Inventors: **Amish Patel**, Midlothian, VA (US);  
**Dana Dion Hawes**, Richmond, VA (US)

(73) Assignee: **SMRT IP, LLC**, Midlothian, VA (US)

(\*) Notice: This patent is subject to a terminal disclaimer.

(\*\*) Term: **14 Years**

(21) Appl. No.: **29/520,226**

(22) Filed: **Mar. 12, 2015**

(51) **LOC (10) Cl.** ..... **29-02**

(52) **U.S. Cl.**  
USPC ..... **D29/108**

(58) **Field of Classification Search**  
USPC ..... D29/100, 105, 106, 108, 122;  
D24/108-110.5, 156, 176, 181; 128/859,  
128/860, 861, 862, 857, 846, 848;  
602/902; 433/6, 18, 24, 168.1; 2/9, 424,  
2/425; D21/812  
CPC . A61F 5/566; A61F 5/58; A63B 71/08; A63B  
71/081; A63B 71/085; A63B 2071/085;  
A63B 2071/088; A61C 7/10; A61C  
13/08; A61C 13/081; A61C 13/083; A61C  
13/087; A61C 19/066; A61C 5/14; A61B  
13/00; A61B 1/24

See application file for complete search history.

(56) **References Cited**

**U.S. PATENT DOCUMENTS**

D593,714 S \* 6/2009 Hirshberg ..... D29/108  
D603,101 S \* 10/2009 Hirshberg ..... D29/108

D615,709 S \* 5/2010 Manzo ..... D29/108  
D616,152 S \* 5/2010 Manzo ..... D29/108  
D618,399 S \* 6/2010 Manzo ..... D29/108  
D623,357 S \* 9/2010 Manzo ..... D29/108  
D626,292 S \* 10/2010 Farrell ..... D29/108  
D627,107 S \* 11/2010 Manzo ..... D29/108  
D630,382 S \* 1/2011 Manzo ..... D29/108  
D634,480 S \* 3/2011 Manzo ..... D29/108  
D642,277 S \* 7/2011 Farrell ..... D24/181  
D648,900 S \* 11/2011 Manzo ..... D29/108  
D652,575 S \* 1/2012 Farrell ..... D29/108  
D652,576 S \* 1/2012 Farrell ..... D29/108  
D657,916 S \* 4/2012 Pelerin ..... D29/108  
D658,813 S \* 5/2012 Manzo ..... D29/108  
D670,866 S \* 11/2012 Chappuis ..... D29/108  
8,800,184 B1 \* 8/2014 Lerman ..... G09F 23/00  
128/861  
D727,571 S \* 4/2015 Brett ..... D29/108  
D743,108 S \* 11/2015 Charlton ..... D29/108  
D743,109 S \* 11/2015 Charlton ..... D29/108

\* cited by examiner

*Primary Examiner* — Elizabeth J Oswecki  
(74) *Attorney, Agent, or Firm* — Murray Tech Law;  
Kenneth A. Murray, Jr.

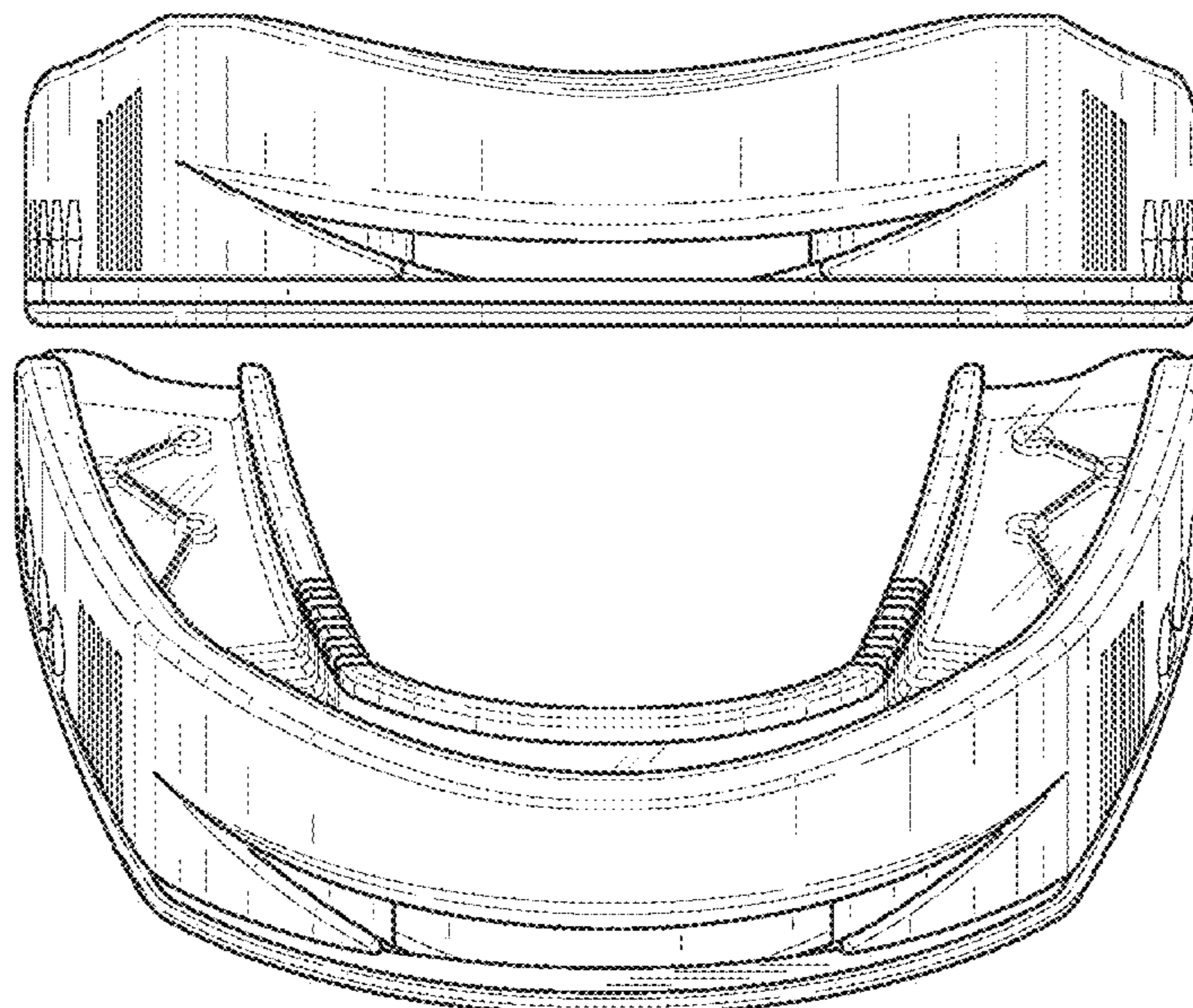
(57) **CLAIM**

The ornamental design for a mouth guard, as shown and described.

**DESCRIPTION**

FIG. 1 is a front elevation view of a mouth guard showing our new design;  
FIG. 2 is first perspective view thereof;  
FIG. 3 is a second perspective view thereof; and,  
FIG. 4 is a third perspective view thereof.  
All surfaces not shown form no part of the claimed design.

**1 Claim, 2 Drawing Sheets**



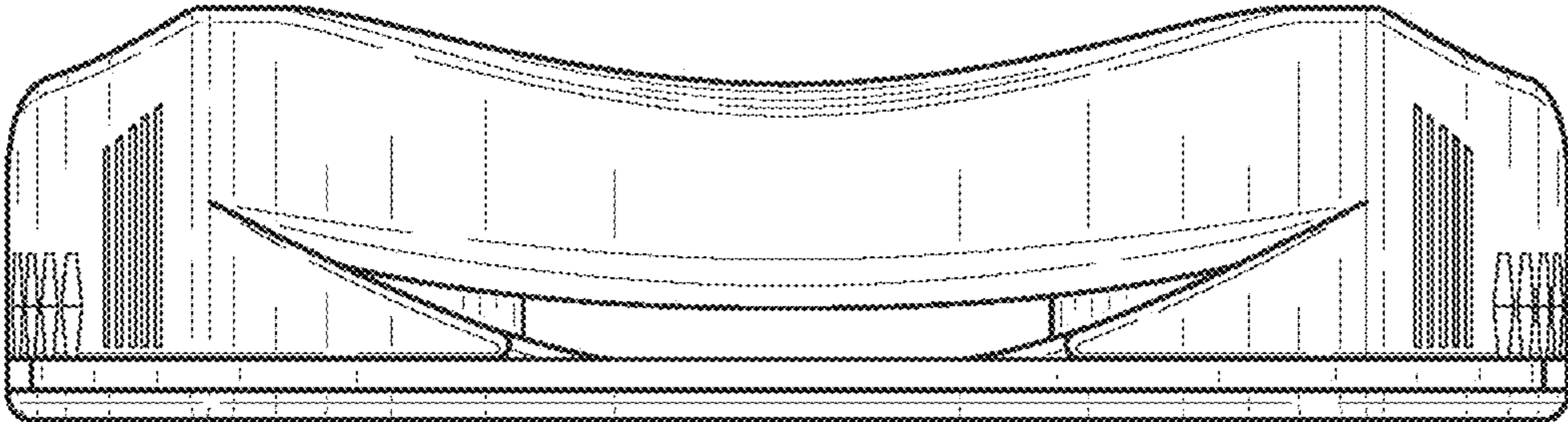


FIG. 1

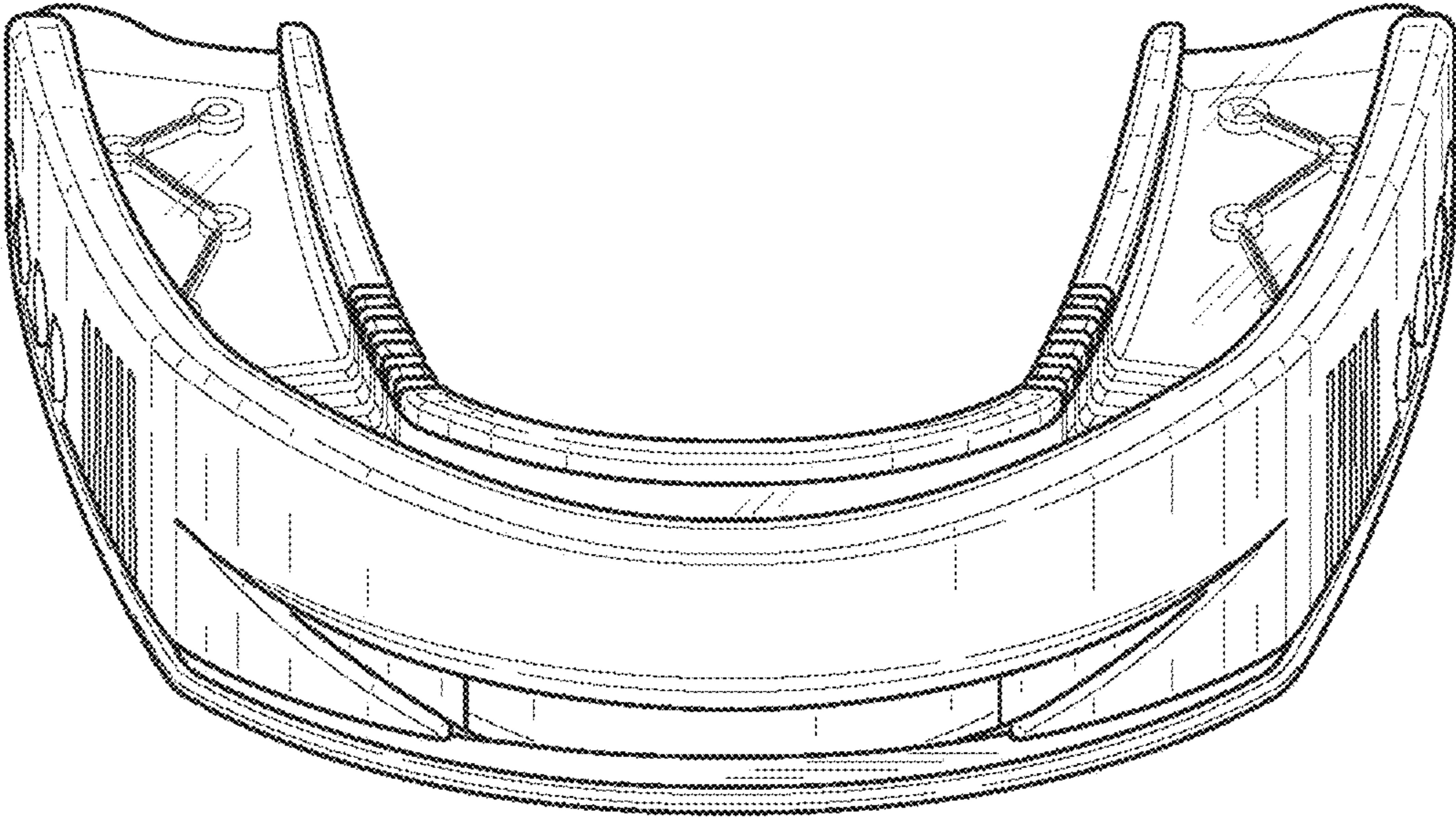


FIG. 2

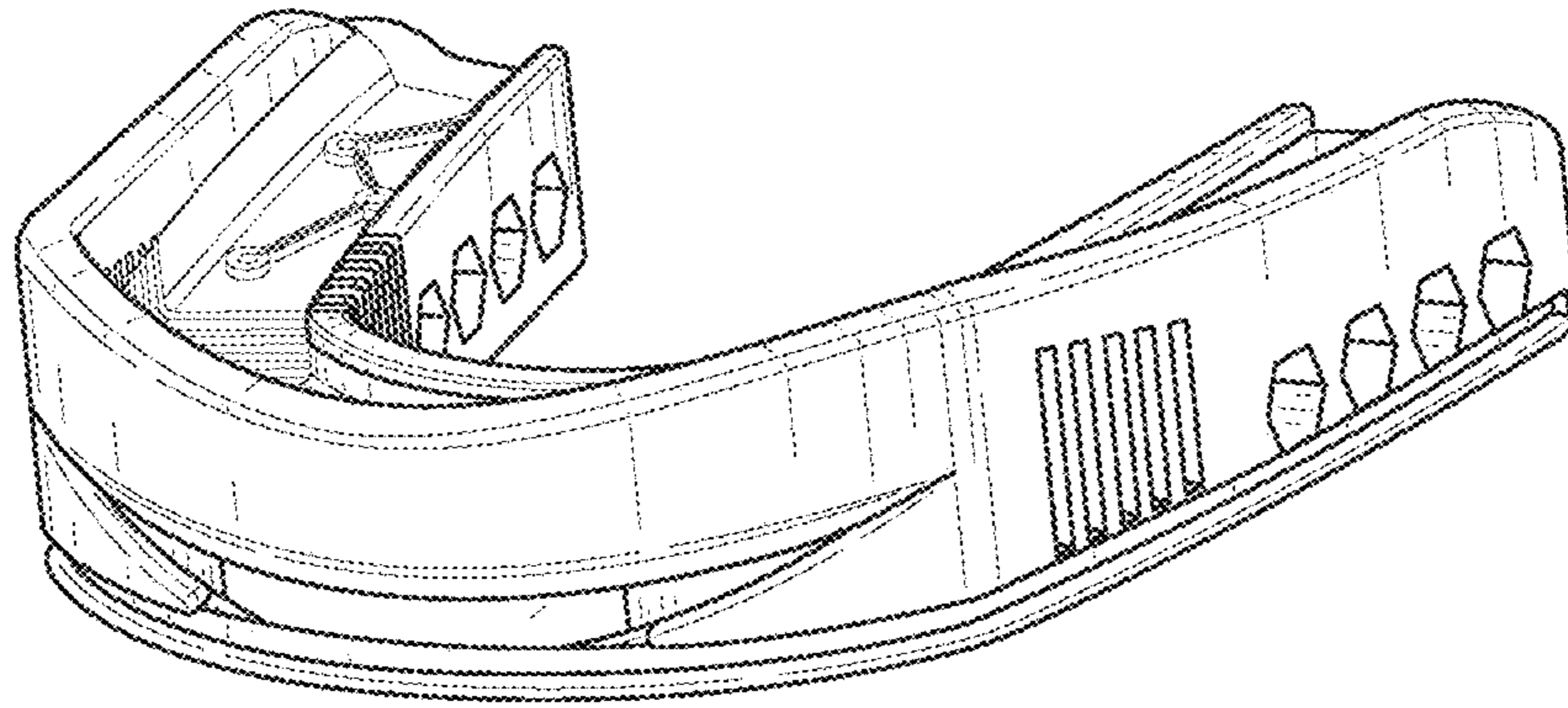


FIG. 3

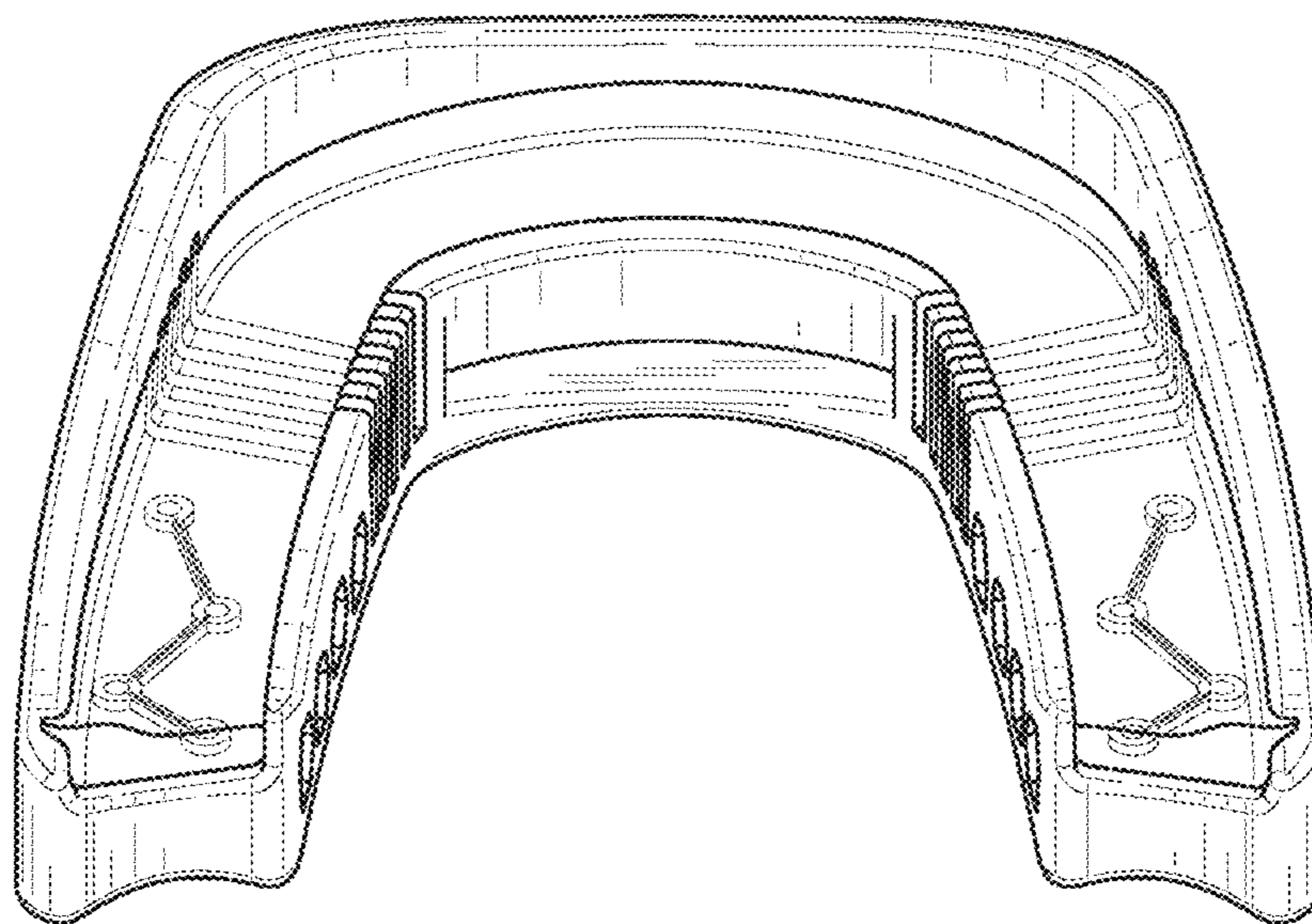


FIG. 4