



US00D797378S

(12) **United States Design Patent** (10) **Patent No.:** **US D797,378 S**  
**Gill et al.** (45) **Date of Patent:** **\*\* Sep. 12, 2017**

(54) **SAFETY JACKET WITH TREAD PATTERN STRIPS** D694,957 S \* 12/2013 Barker ..... D29/101.4  
D703,921 S \* 5/2014 Reisler ..... D2/828  
D733,999 S \* 7/2015 Parker ..... D2/717

(71) Applicants: **Peter E. Gill**, Tamuning, GU (US);  
**Peter E. Gill, III**, Tamuning, GU (US) \* cited by examiner

(72) Inventors: **Peter E. Gill**, Tamuning, GU (US);  
**Peter E. Gill, III**, Tamuning, GU (US) *Primary Examiner* — Randall Gholson  
(74) *Attorney, Agent, or Firm* — Donald J. Ersler

(73) Assignee: **KWIKSPACE GUAN**, Haganta, GU (US)

(\*\*) Term: **15 Years**

(21) Appl. No.: **29/584,436**

(22) Filed: **Nov. 15, 2016**

(51) **LOC (10) Cl.** ..... **29-02**

(52) **U.S. Cl.**

USPC ..... **D29/101.4**

(58) **Field of Classification Search**

USPC ..... D2/717, 840, 841, 844, 847, 849, 830,  
D2/834, 728; 2/106, 115, 116, 456;  
D29/101.1, 101.4

CPC ..... A41D 1/00; A41D 3/02; A41D 13/01  
See application file for complete search history.

(56) **References Cited**

U.S. PATENT DOCUMENTS

D117,331 S \* 10/1939 Callahan ..... D2/836  
D684,749 S \* 6/2013 Reisler ..... D2/828

(57) **CLAIM**

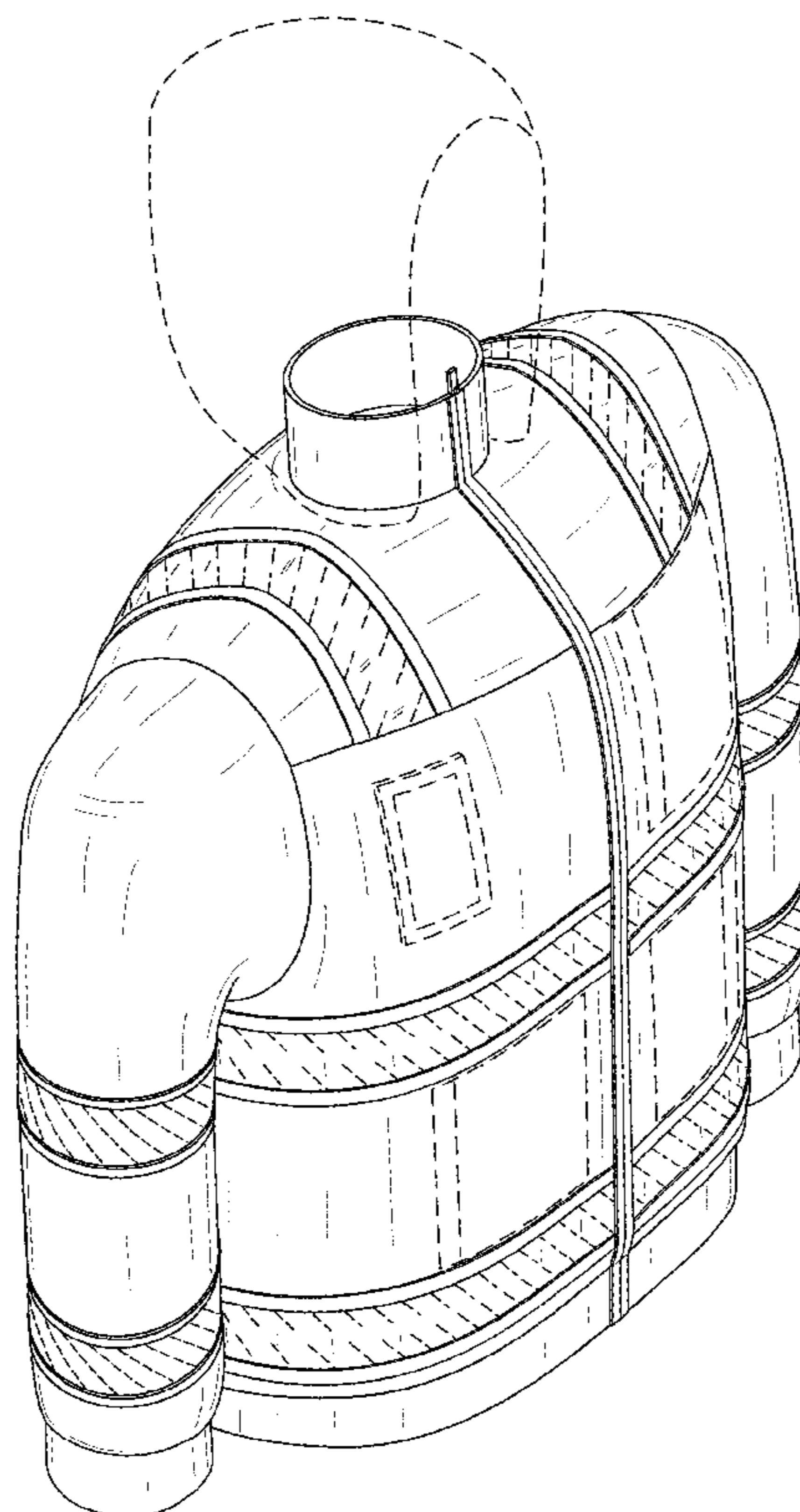
The ornamental design for safety jacket with tread pattern strips, as shown and described.

**DESCRIPTION**

FIG. 1 is a front perspective view of a safety jacket with tread pattern strips incorporating our new design; FIG. 2 is a bottom rear perspective view thereof; FIG. 3 is a top plan view thereof; FIG. 4 is a bottom plan view thereof; FIG. 5 is a left side view thereof; FIG. 6 is a front view thereof; and, FIG. 7 is a rear view thereof.

The broken lines shown in the drawings illustrate portions of the safety jacket with tread pattern strips that form no part of the claimed invention.

**1 Claim, 6 Drawing Sheets**



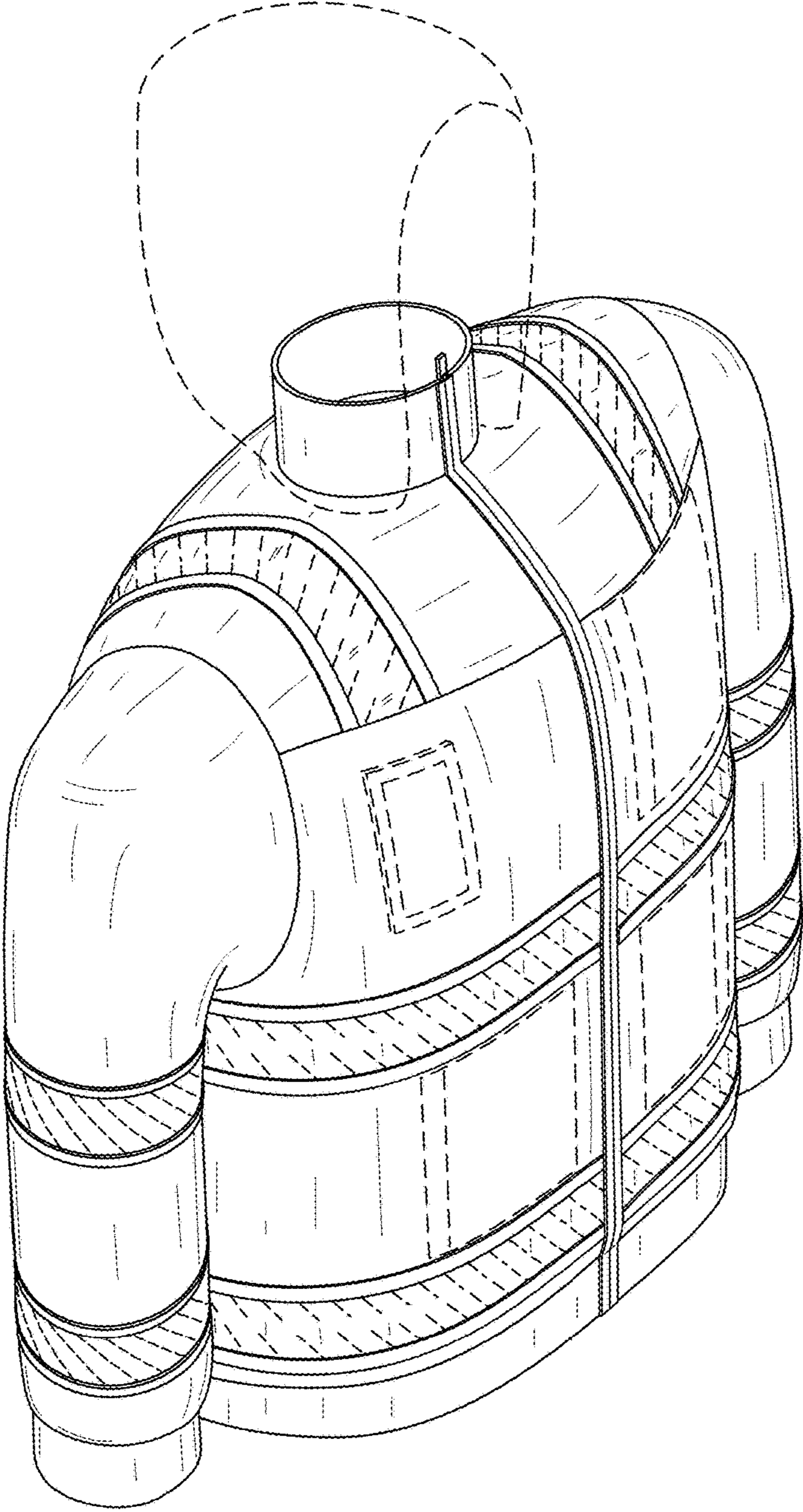


FIG. 1

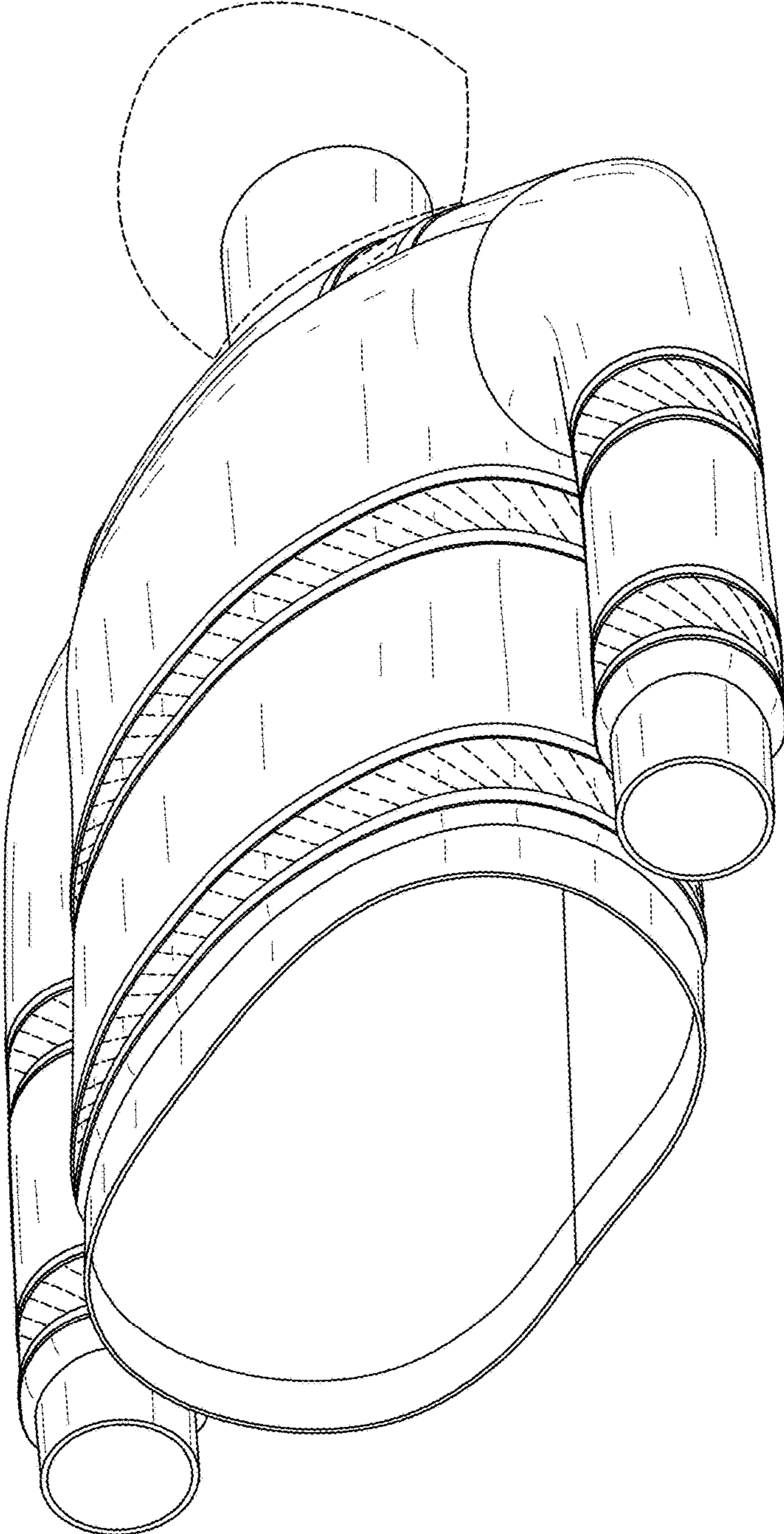


FIG. 2

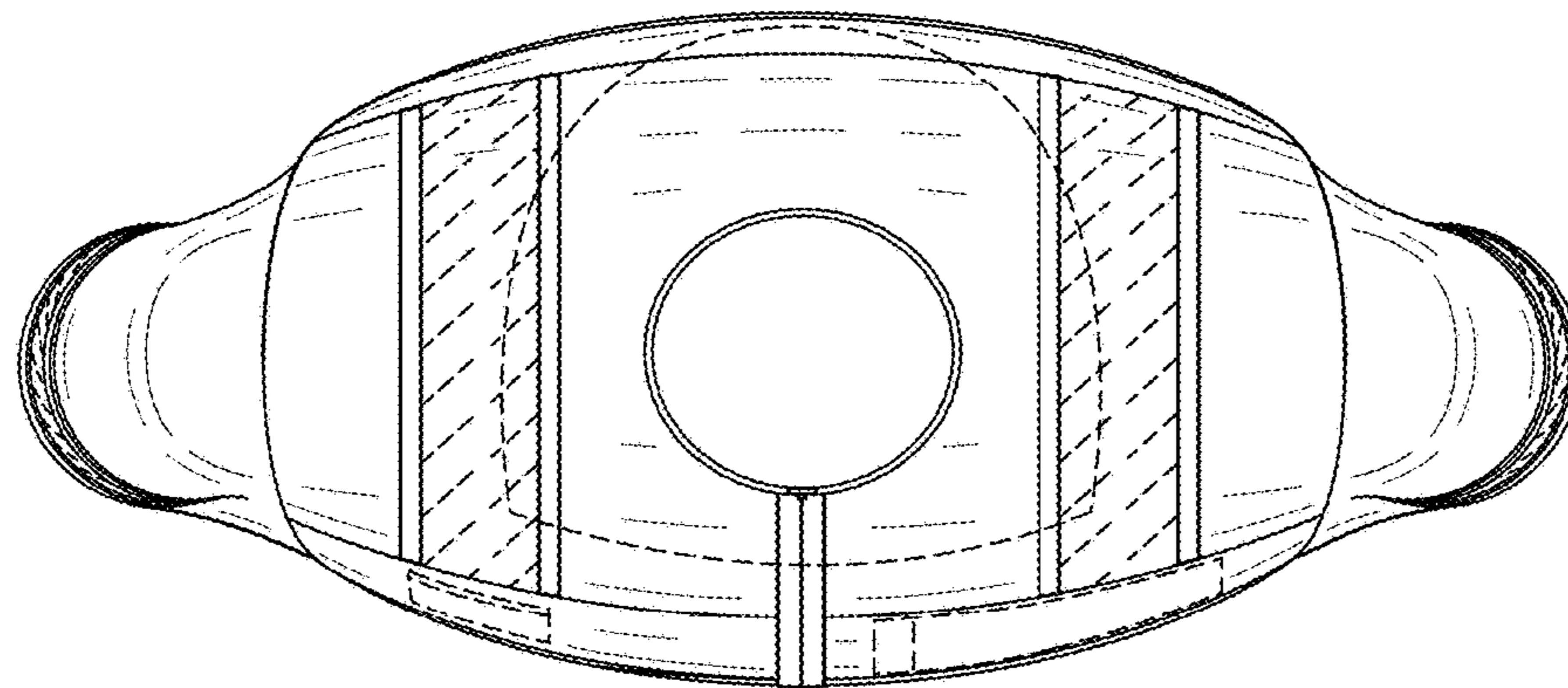


FIG. 3

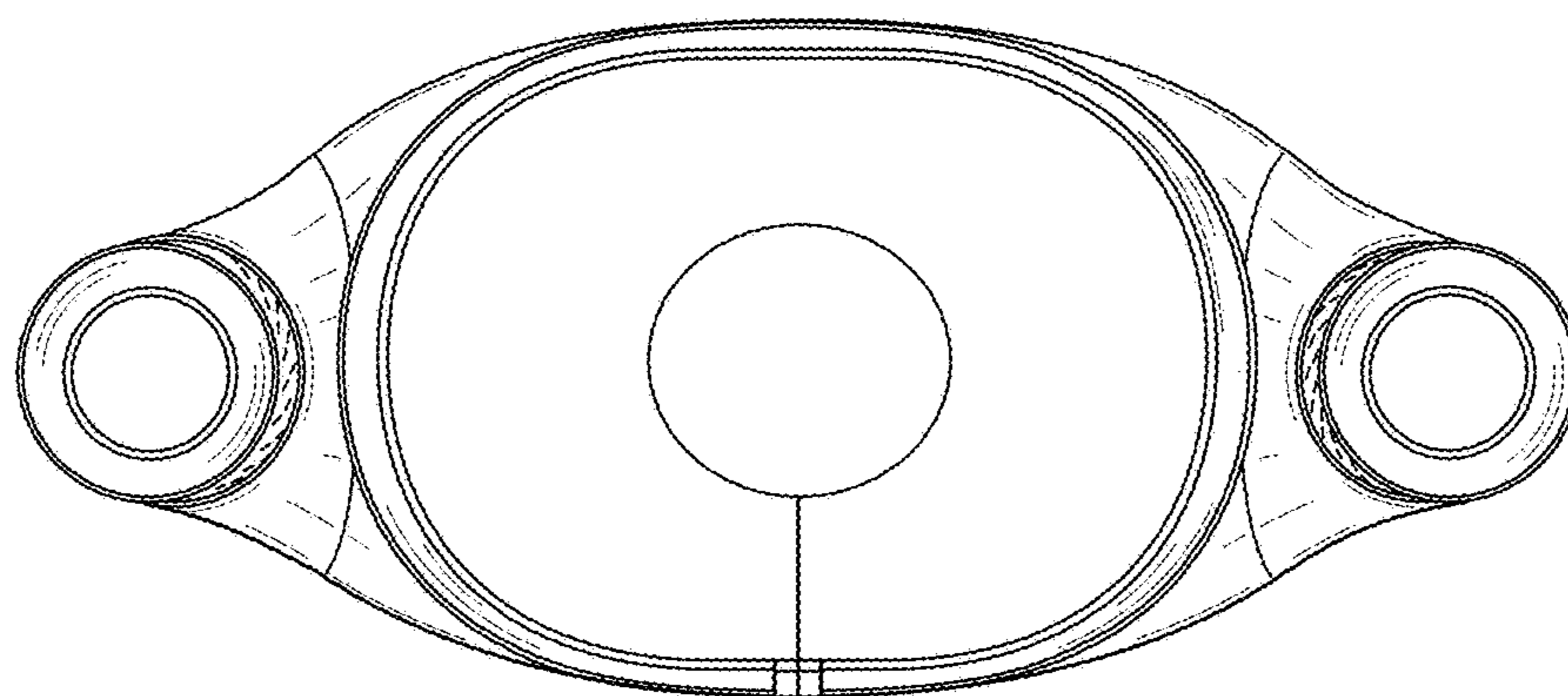


FIG. 4

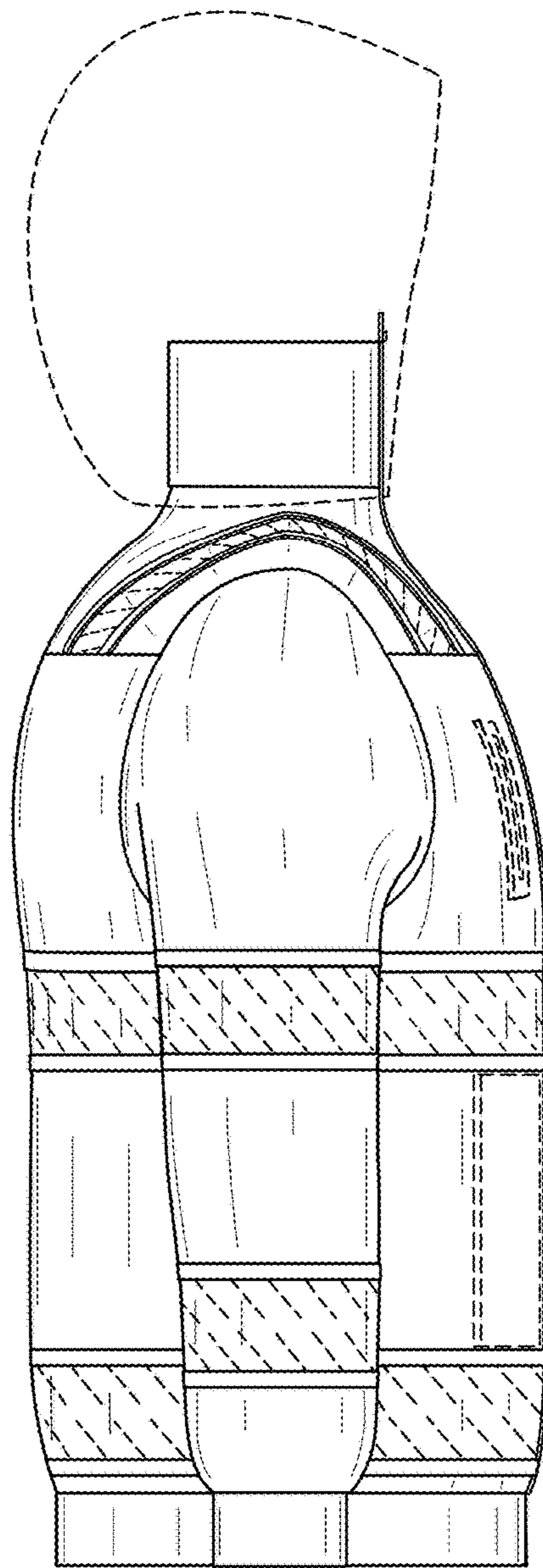


FIG. 5

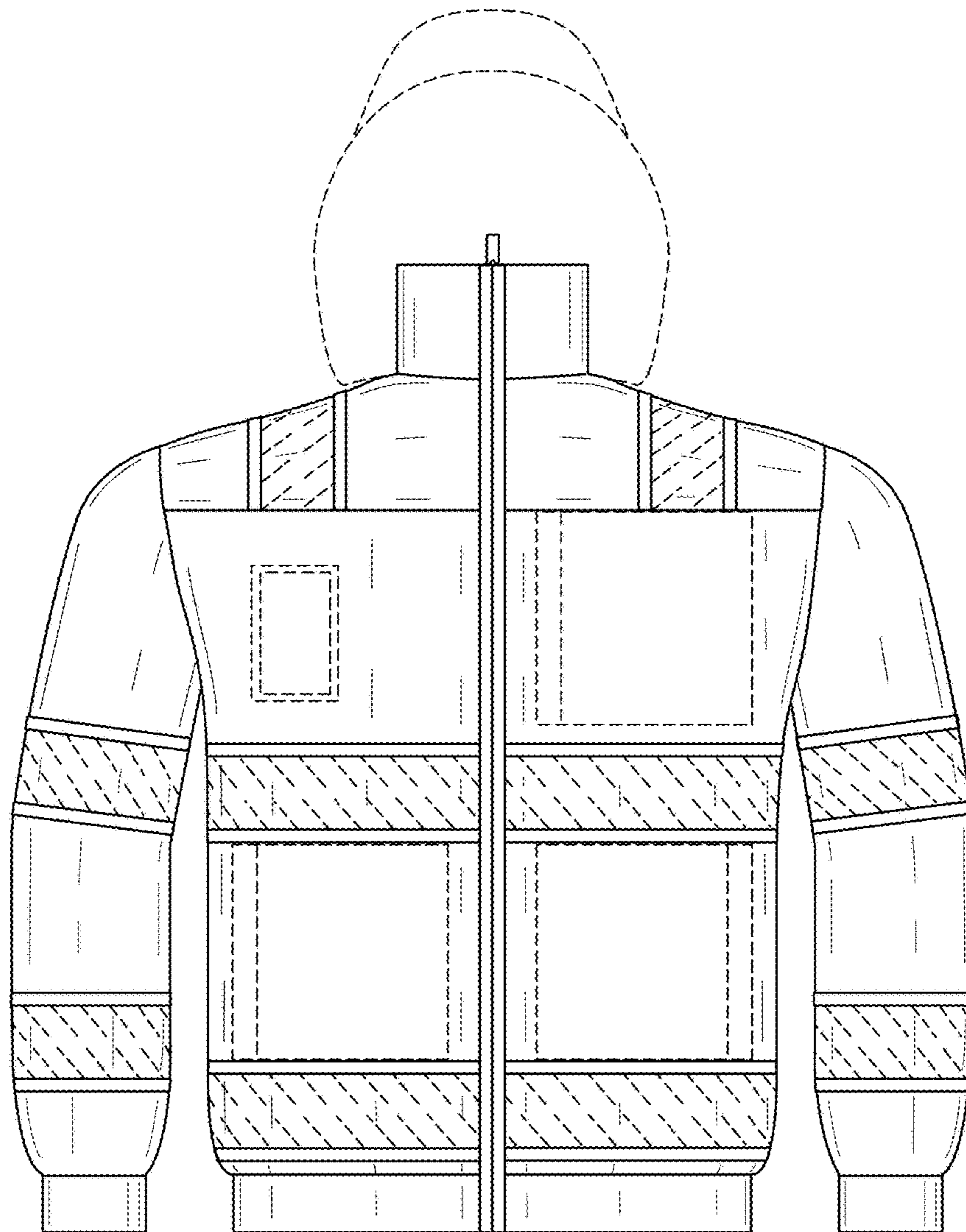


FIG. 6

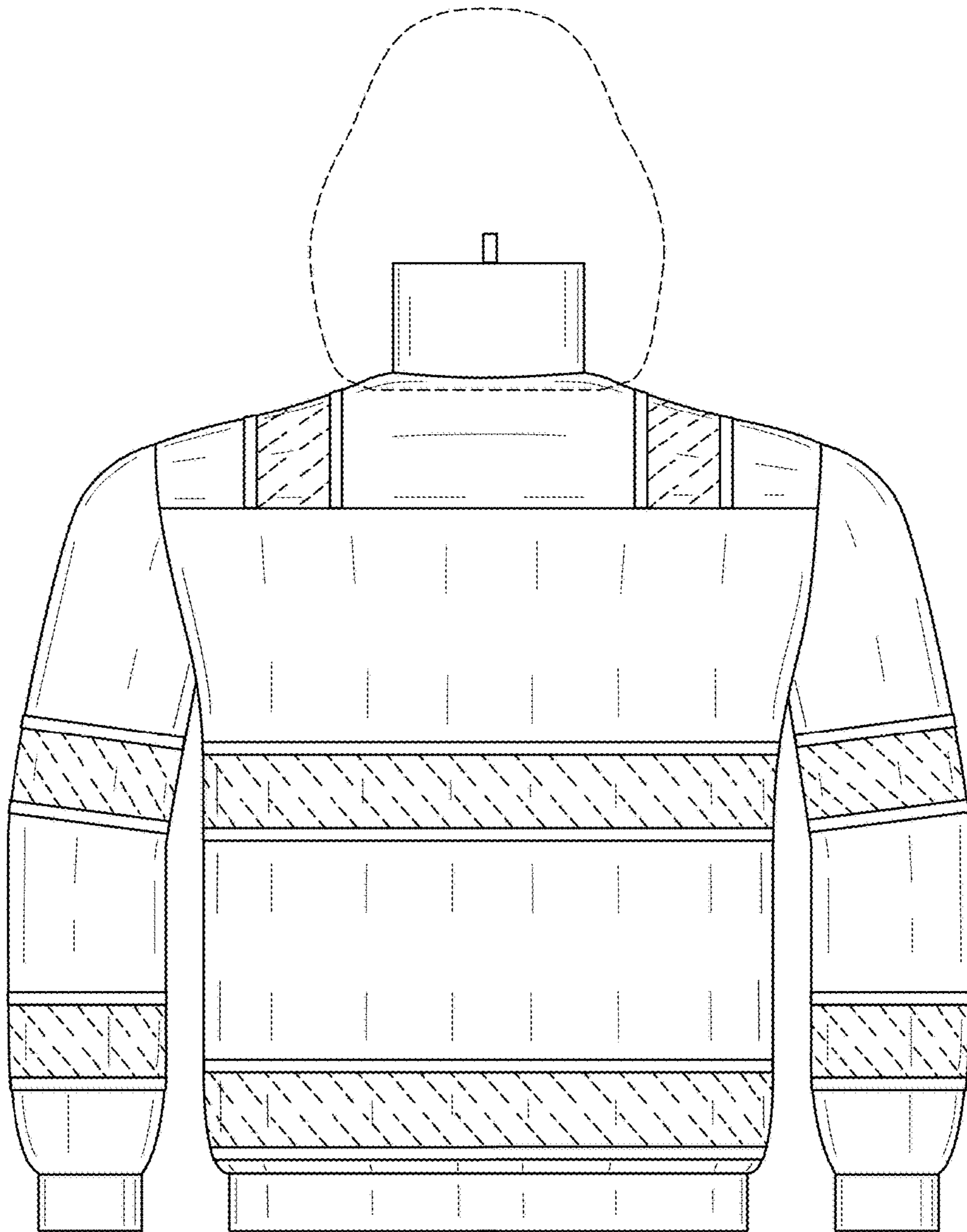


FIG. 7