

US00D797377S

(12) **United States Design Patent** (10) **Patent No.:** **US D797,377 S**
Reggiani et al. (45) **Date of Patent:** **** Sep. 12, 2017**

(54) **LIPSTICK PACKAGING**

(56) **References Cited**

(71) Applicant: **VULT COMERCIO DE COSMÉTICOS LTDA**, Mogi das Cruzes (BR)

U.S. PATENT DOCUMENTS

D432,268 S *	10/2000	Gavin	D28/85
D473,974 S *	4/2003	Fuller	D28/77
D564,706 S *	3/2008	Kadlubowski	D28/76
D632,014 S *	2/2011	Lee	D28/76
D661,024 S *	5/2012	Bakic	D28/76
D758,664 S *	6/2016	Van Maanen	D9/529

(72) Inventors: **Murilo Reggiani**, Mogi das Cruzes (BR); **Daniela Cristina Cruz Colin Cunha**, Mogi das Cruzes (BR)

* cited by examiner

(73) Assignee: **VULT COMERCIO DE COSMETICOS LTDA.**, Mogi das Cruzes, SP (BR)

Primary Examiner — Jennifer Rivard

(74) *Attorney, Agent, or Firm* — Ladas & Parry LLP

(**) Term: **15 Years**

(57) **CLAIM**

We claim the ornamental design for a lipstick packaging, as shown and described.

(21) Appl. No.: **29/568,566**

DESCRIPTION

(22) Filed: **Jun. 20, 2016**

(51) **LOC (10) Cl.** **28-03**

FIG. 1 is a perspective view of our new design for a lipstick packaging;

(52) **U.S. Cl.**

FIG. 2 is a front view thereof;

USPC **D28/89**; D9/504

FIG. 3 is a rear view thereof;

(58) **Field of Classification Search**

USPC D28/76, 77, 85–90; D9/503–504, 529

FIG. 4 is a side view thereof (the left and right sides are mirror images of one another);

CPC A45D 40/00; A45D 40/02–40/10; A45D

FIG. 5 is a top view thereof; and,

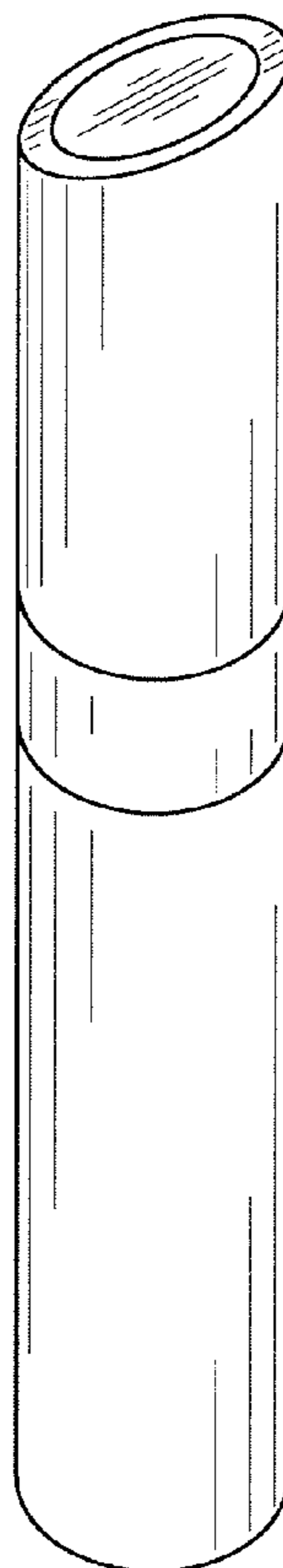
2040/0025; A45D 2040/0012; A45D

FIG. 6 is a bottom view thereof.

2040/0031; A45D 2040/0062

See application file for complete search history.

1 Claim, 2 Drawing Sheets



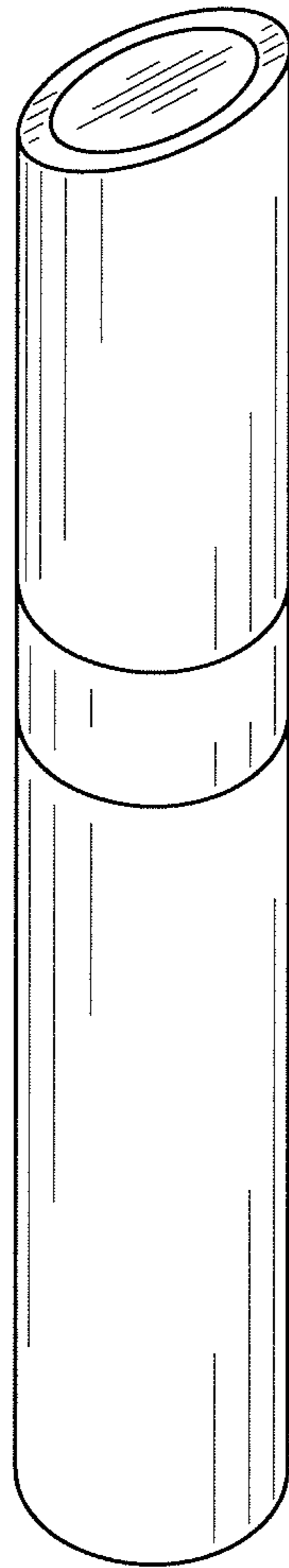


FIG. 1

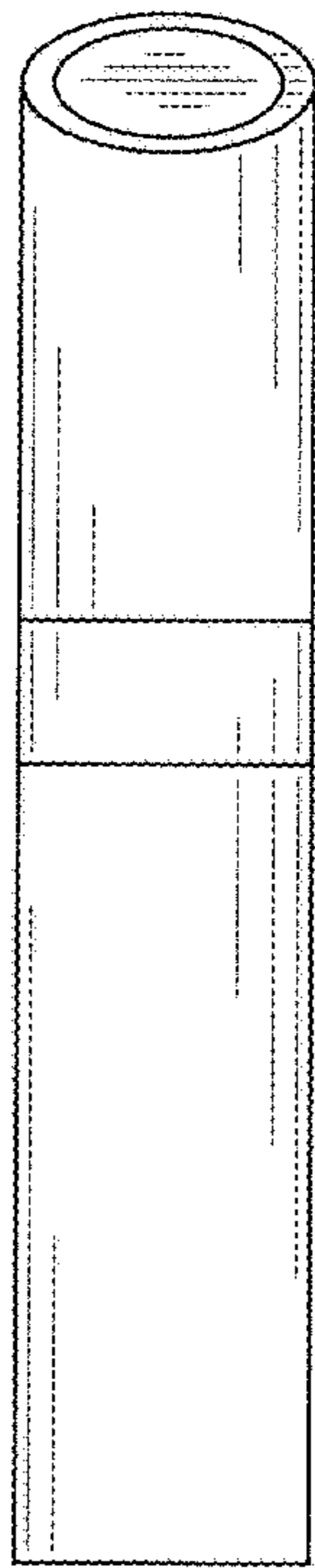


FIG. 2

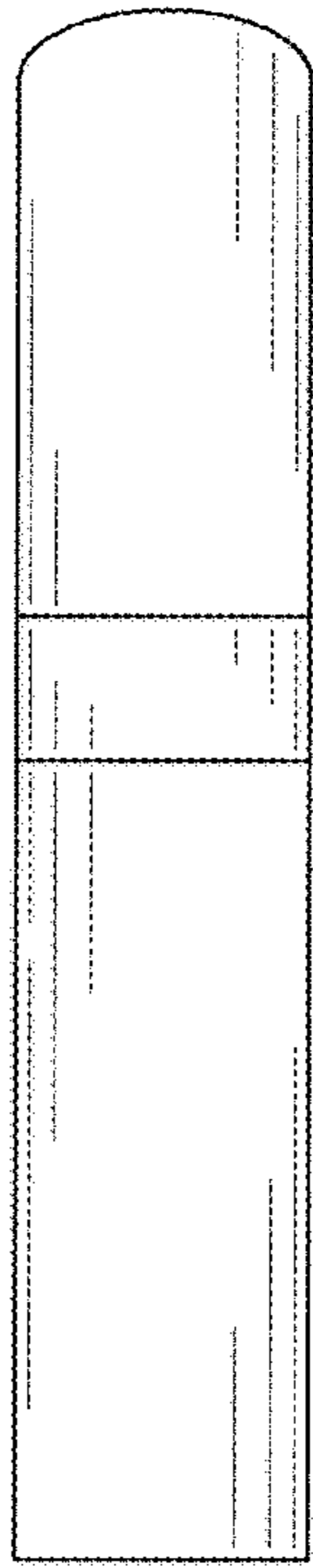


FIG. 3

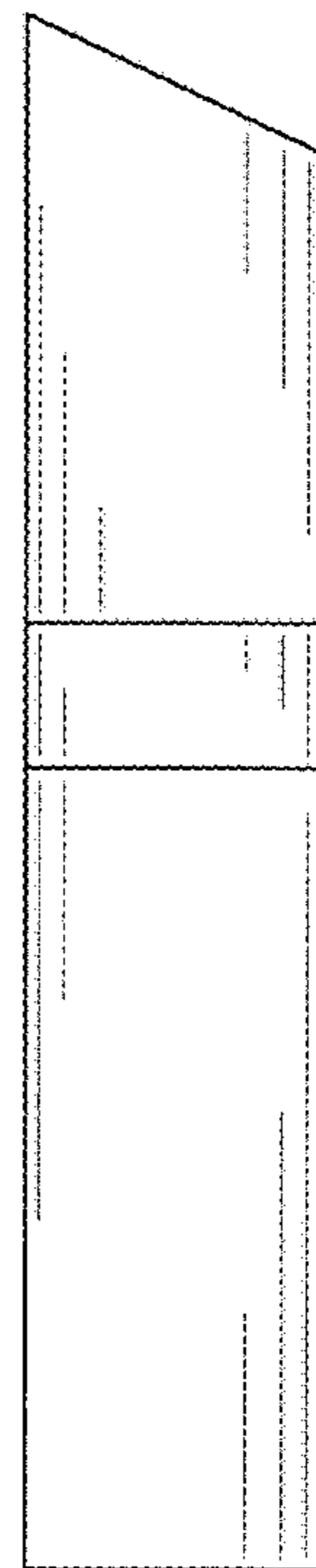


FIG. 4

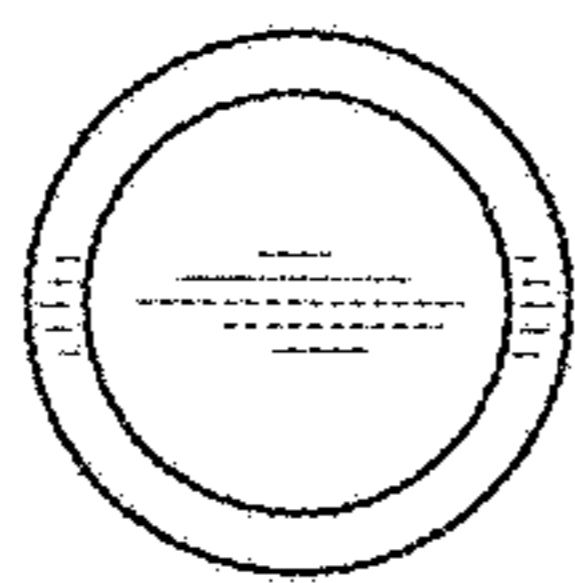


FIG. 5

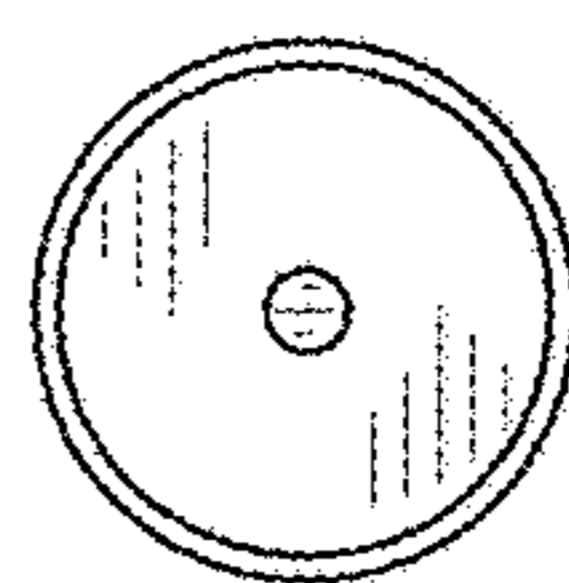


FIG. 6