



US00D797374S

(12) **United States Design Patent** (10) **Patent No.:** **US D797,374 S**  
**Forti et al.** (45) **Date of Patent:** **\*\* Sep. 12, 2017**

(54) **RAZOR HANDLE**

(71) Applicant: **The Gillette Company**, Boston, MA (US)

(72) Inventors: **Alexander Stephen Forti**, Dedham, MA (US); **Robert Harold Johnson**, Hingham, MA (US); **Hong Lu**, Newton, MA (US); **Vanessa Christie**, Boston, MA (US); **Thomas Anthony Gernetzke**, Beverly, MA (US); **Michael David Tinstman**, Malden, MA (US); **Benjamin Andrew Bangser**, Los Angeles, CA (US)

(73) Assignee: **The Gillette Company**, Boston, MA (US)

(\*\*) Term: **15 Years**

(21) Appl. No.: **29/573,987**

(22) Filed: **Aug. 11, 2016**

(51) **LOC (10) Cl.** ..... **28-03**

(52) **U.S. Cl.**  
USPC ..... **D28/48**

(58) **Field of Classification Search**  
USPC ..... D28/46-48

(Continued)

(56) **References Cited**

U.S. PATENT DOCUMENTS

D392,418 S \* 3/1998 Gray ..... D28/48  
D396,129 S \* 7/1998 Gray ..... D28/46

(Continued)

*Primary Examiner* — Jennifer Rivard

(74) *Attorney, Agent, or Firm* — Joanne N. Pappas; Kevin C. Johnson; Steven W. Miller

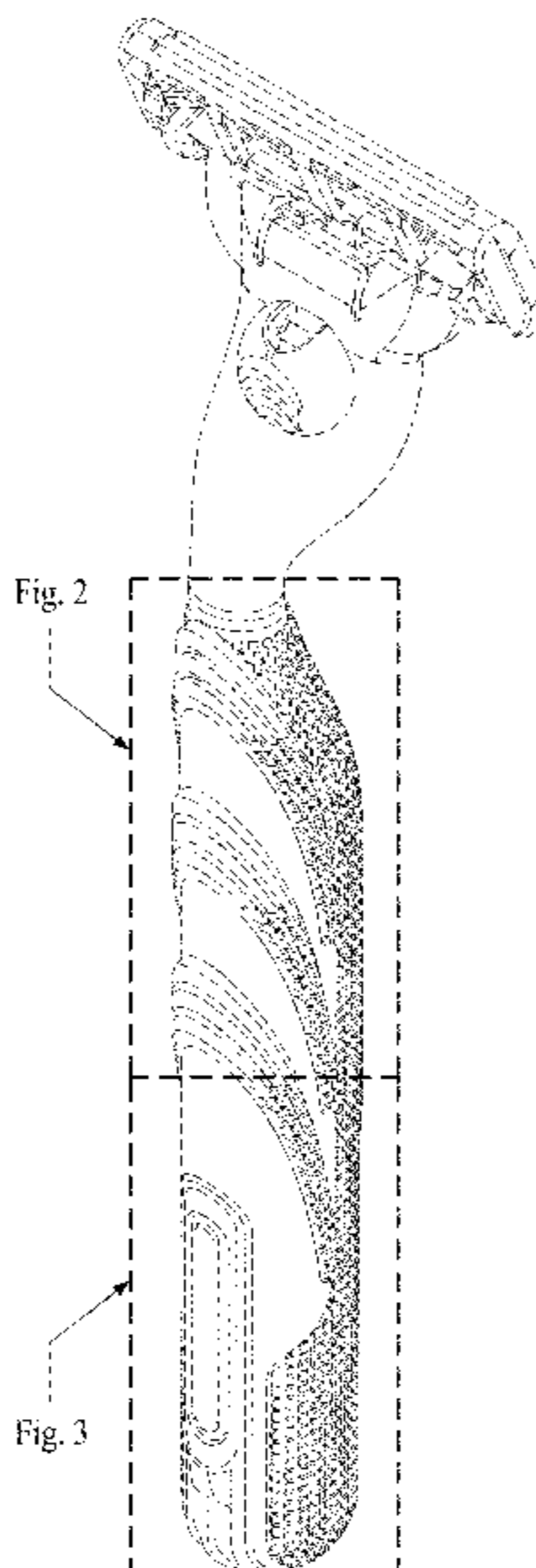
(57) **CLAIM**

The ornamental design for a razor handle, as shown and described.

**DESCRIPTION**

FIG. 1 is a perspective view of a razor handle of the present invention;  
FIG. 2 is a detailed close-up view of the upper portion FIG. 1;  
FIG. 3 is a detailed close-up view of the lower portion of FIG. 1;  
FIG. 4 is a front view of the razor handle of FIG. 1;  
FIG. 5 is a detailed close-up view of the upper portion of FIG. 4;  
FIG. 6 is a detailed close-up view of the lower portion of FIG. 4;  
FIG. 7 is a back view of the razor handle of FIG. 1.  
FIG. 8 is a detailed close-up view of the upper portion of FIG. 7;  
FIG. 9 is a detailed close-up view of the lower portion of FIG. 7;  
FIG. 10 is a right side view of the razor handle of FIG. 1;  
FIG. 11 is a detailed close-up view of the upper portion of FIG. 10;  
FIG. 12 is a detailed close-up view of the lower portion of FIG. 10;  
FIG. 13 is a left side view of the razor handle of FIG. 1;  
FIG. 14 is a detailed close-up view of the upper portion of FIG. 13;  
FIG. 15 is a detailed close-up view of the lower portion of FIG. 13;  
FIG. 16 is a top view of the razor handle of FIG. 1;  
FIG. 17 is a detailed close-up view of a portion of FIG. 16;  
FIG. 18 is a bottom view of the razor handle of FIG. 1; and,  
FIG. 19 is a detailed close-up view of a portion of FIG. 18.  
The broken lines illustrate portions of the razor handle and form no part of the claimed design.

**1 Claim, 16 Drawing Sheets**



(58) **Field of Classification Search**

CPC ..... B26B 21/14–21/38; B26B 21/08; B26B  
21/00

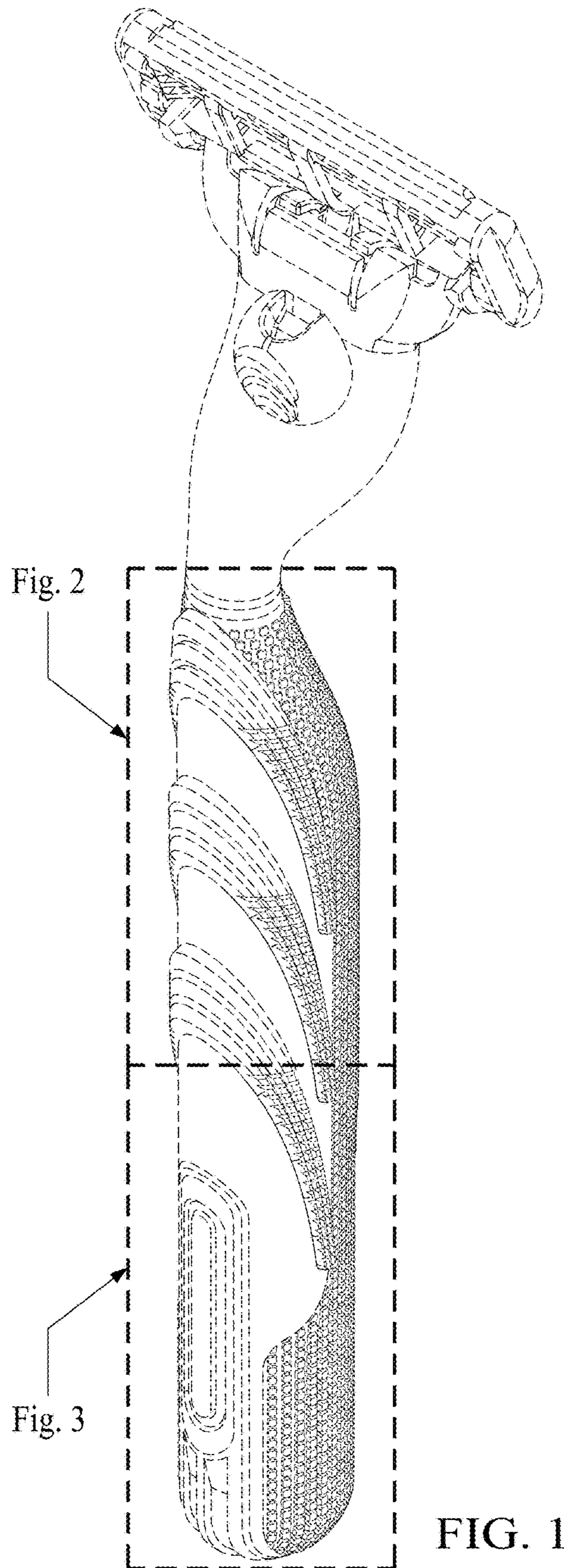
See application file for complete search history.

(56) **References Cited**

U.S. PATENT DOCUMENTS

D397,512	S	*	8/1998	Gray	.....	D28/48
D404,527	S	*	1/1999	Gray	.....	D28/48
D406,393	S	*	3/1999	Gray	.....	D28/48
D407,849	S	*	4/1999	Gray	.....	D28/47
D422,751	S	*	4/2000	Gray	.....	D28/47
D438,342	S	*	2/2001	Gray	.....	D28/48
D444,267	S	*	6/2001	Gray	.....	D28/48
D500,174	S	*	12/2004	Gray	.....	D28/48
D500,390	S	*	12/2004	Gray	.....	D28/47
D509,321	S	*	9/2005	Gray	.....	D28/46
D510,643	S	*	10/2005	Gray	.....	D28/48
D515,740	S	*	2/2006	Provost	.....	D28/46
D558,398	S	*	12/2007	Park	.....	D28/46
D603,556	S	*	11/2009	Rhoad	.....	D28/47
D603,557	S	*	11/2009	Rhoad	.....	D28/47
D643,977	S	*	8/2011	Wonderley	.....	D28/47
D661,425	S	*	6/2012	Cataudella	.....	D28/46
D674,552	S	*	1/2013	Barrow	.....	D28/48
D695,457	S	*	12/2013	Watson	.....	D28/47
D725,824	S	*	3/2015	Sims	.....	D28/48
D731,119	S	*	6/2015	Daniel	.....	D28/46
D739,980	S	*	9/2015	Psimadas	.....	D28/48
D741,009	S	*	10/2015	Bruno	.....	D28/47
D766,506	S	*	9/2016	Bruno	.....	D28/47
D779,122	S	*	2/2017	Dubin	.....	D28/48
D787,125	S	*	5/2017	Dubin	.....	D28/48
D787,127	S	*	5/2017	Dubin	.....	D28/48

\* cited by examiner



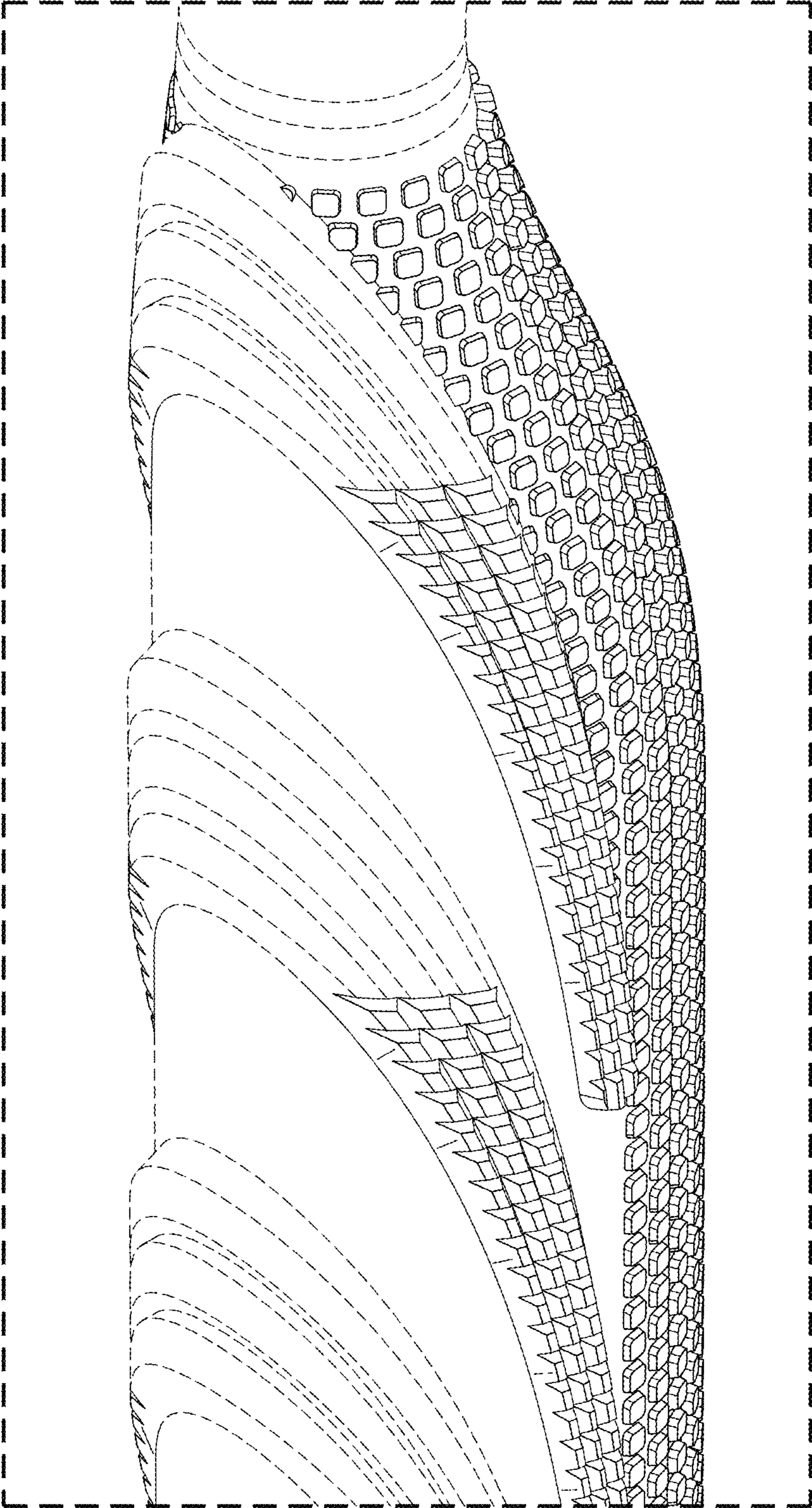


FIG. 2

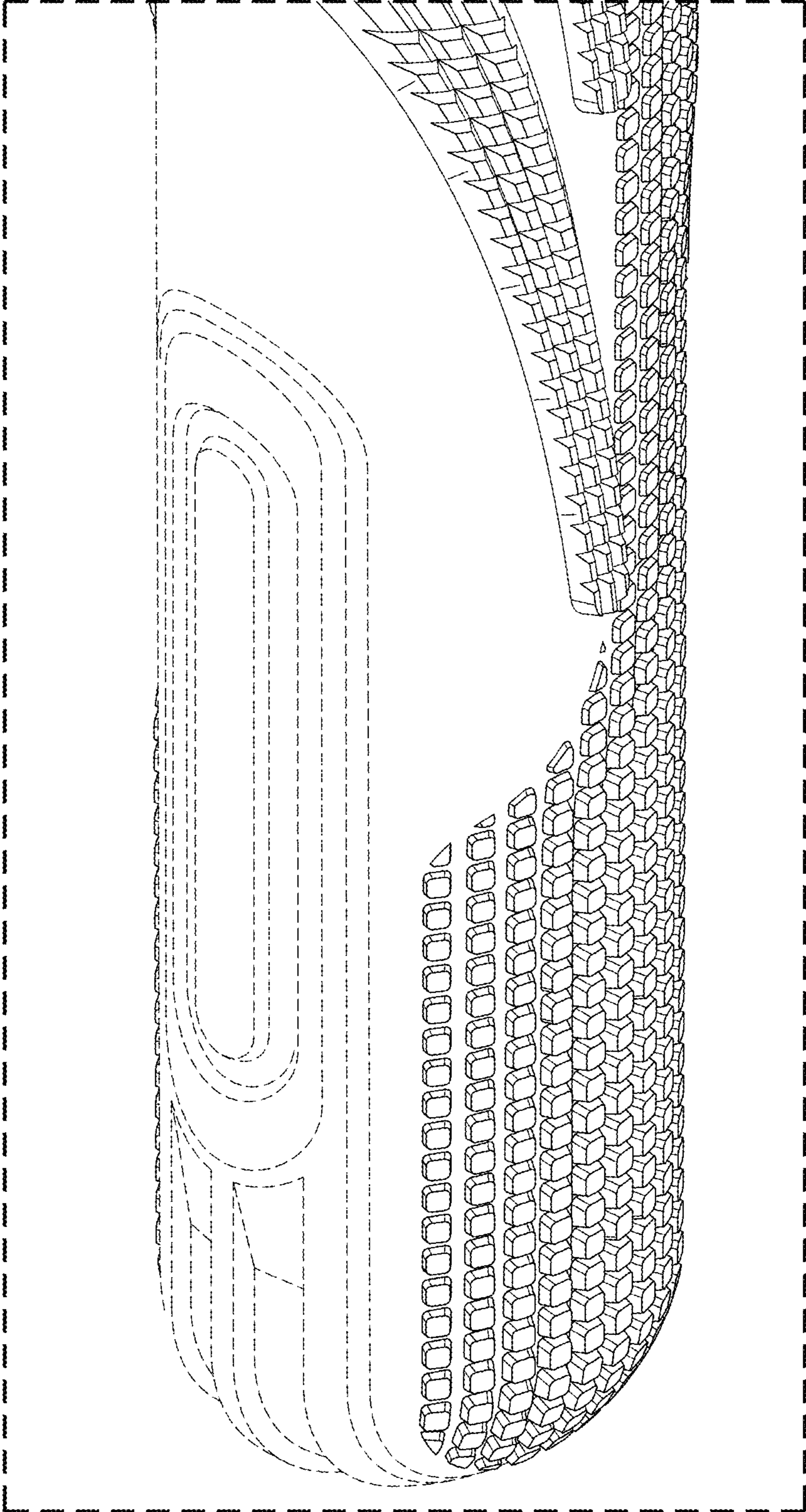
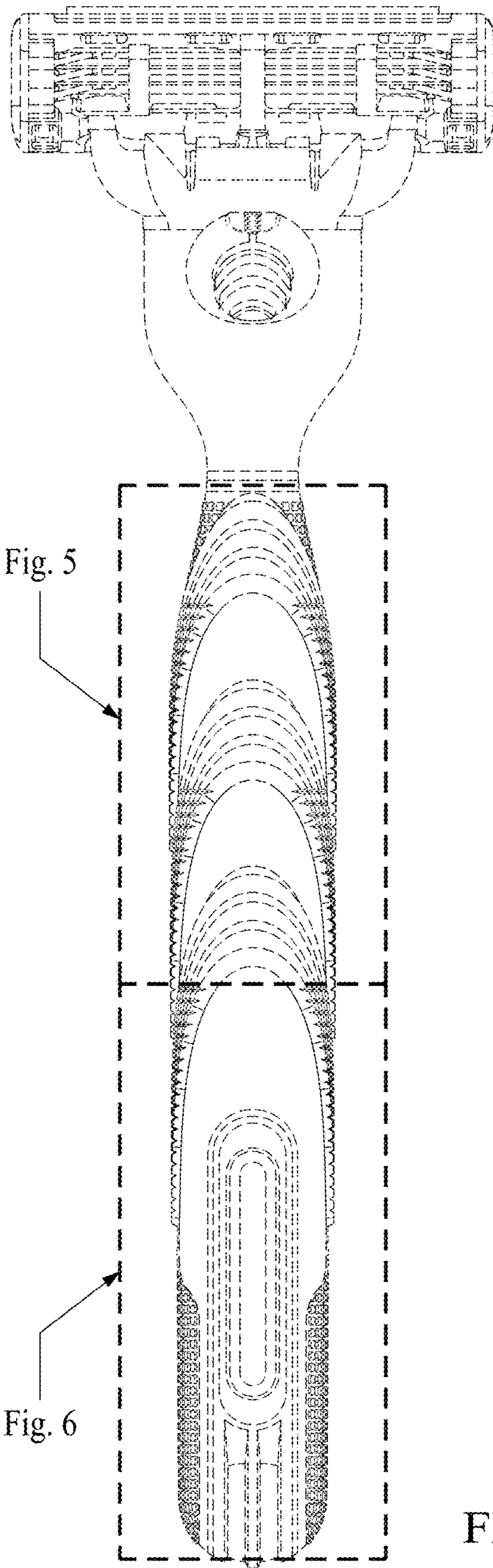


FIG. 3



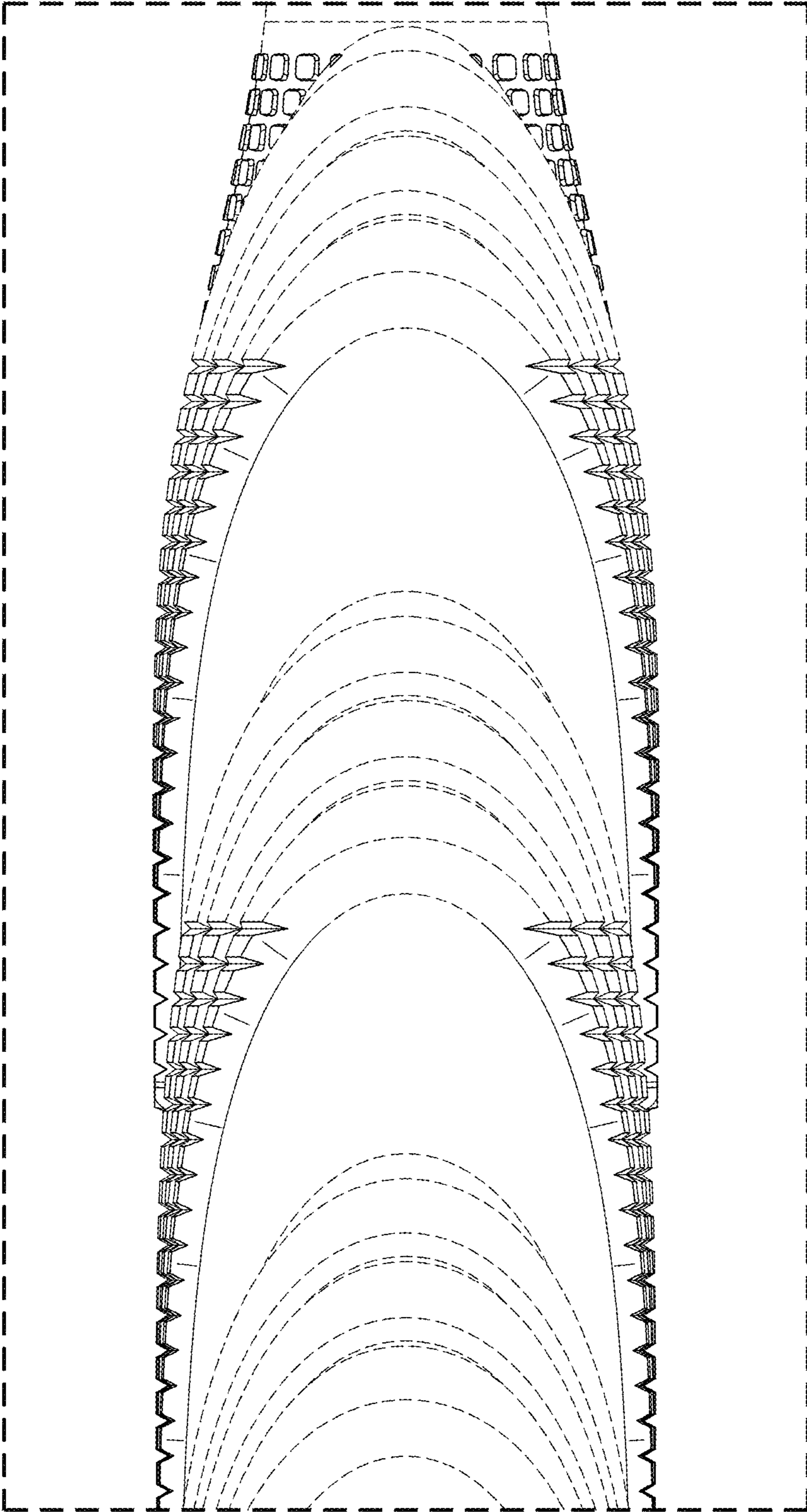


FIG. 5

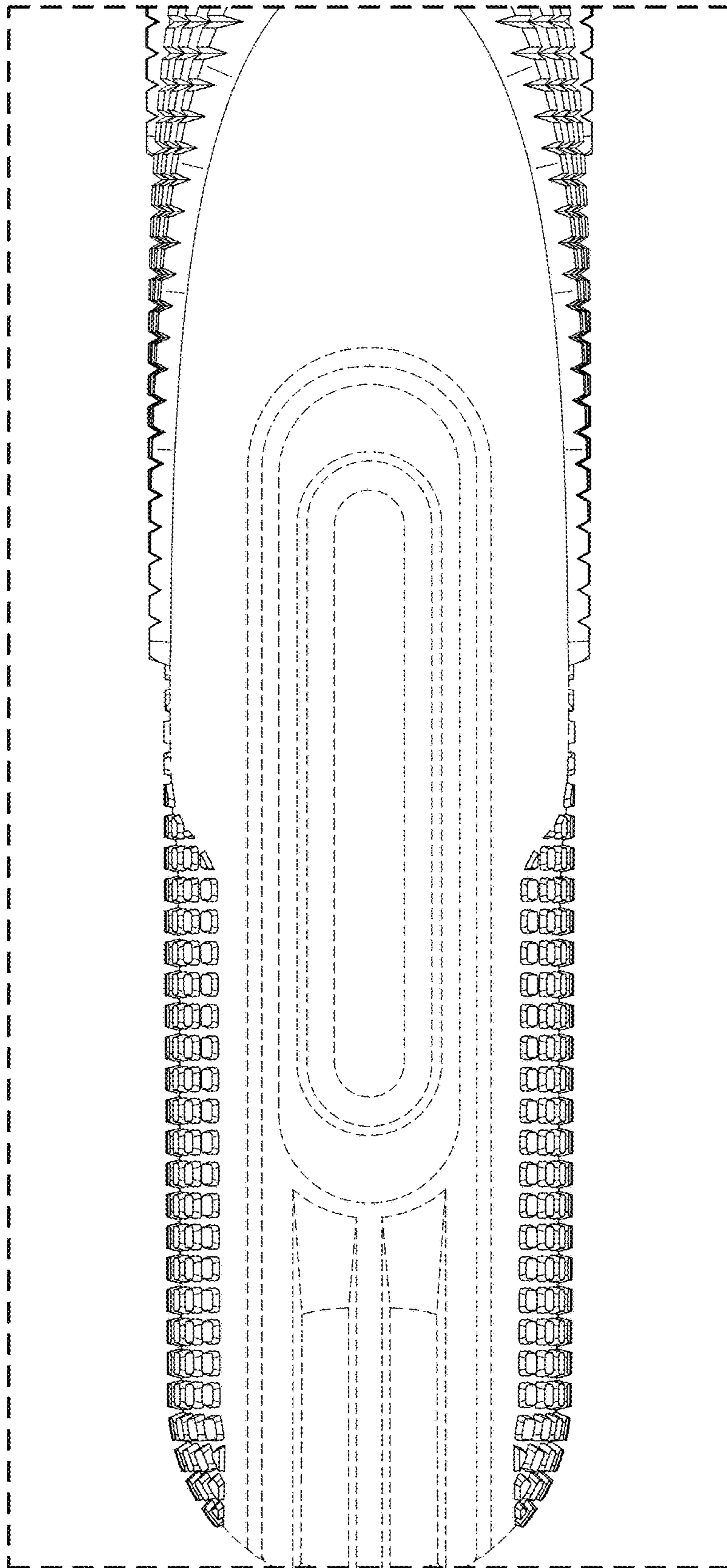
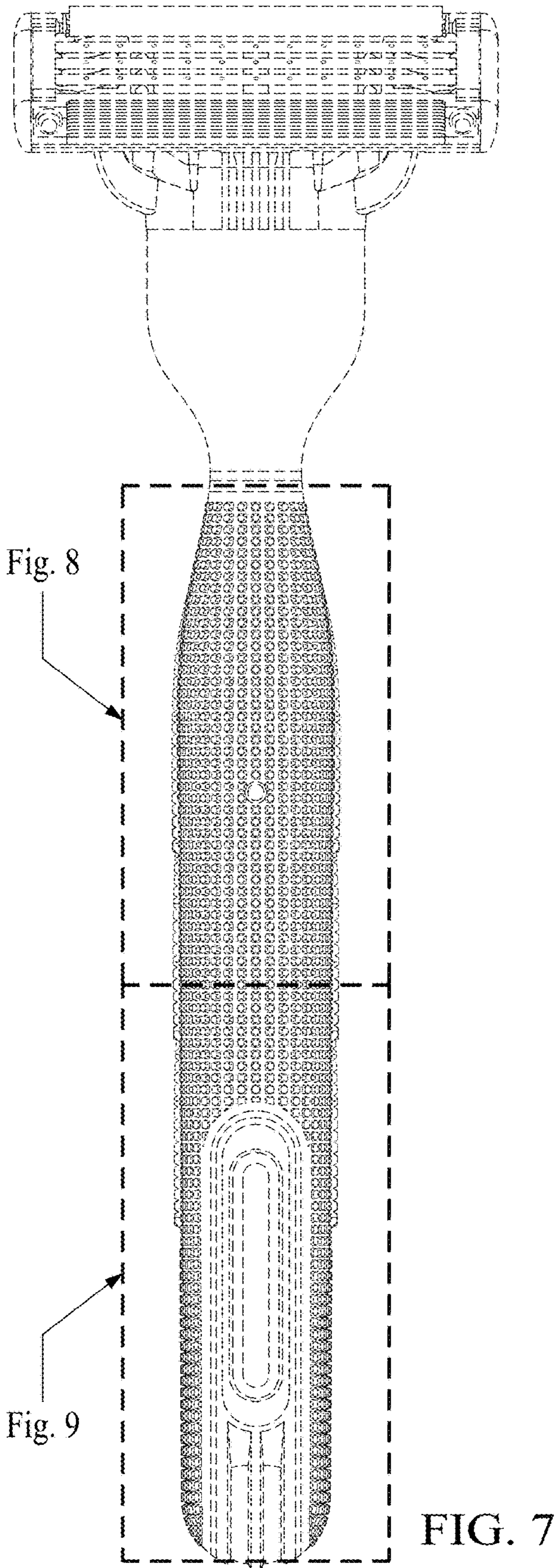


FIG. 6





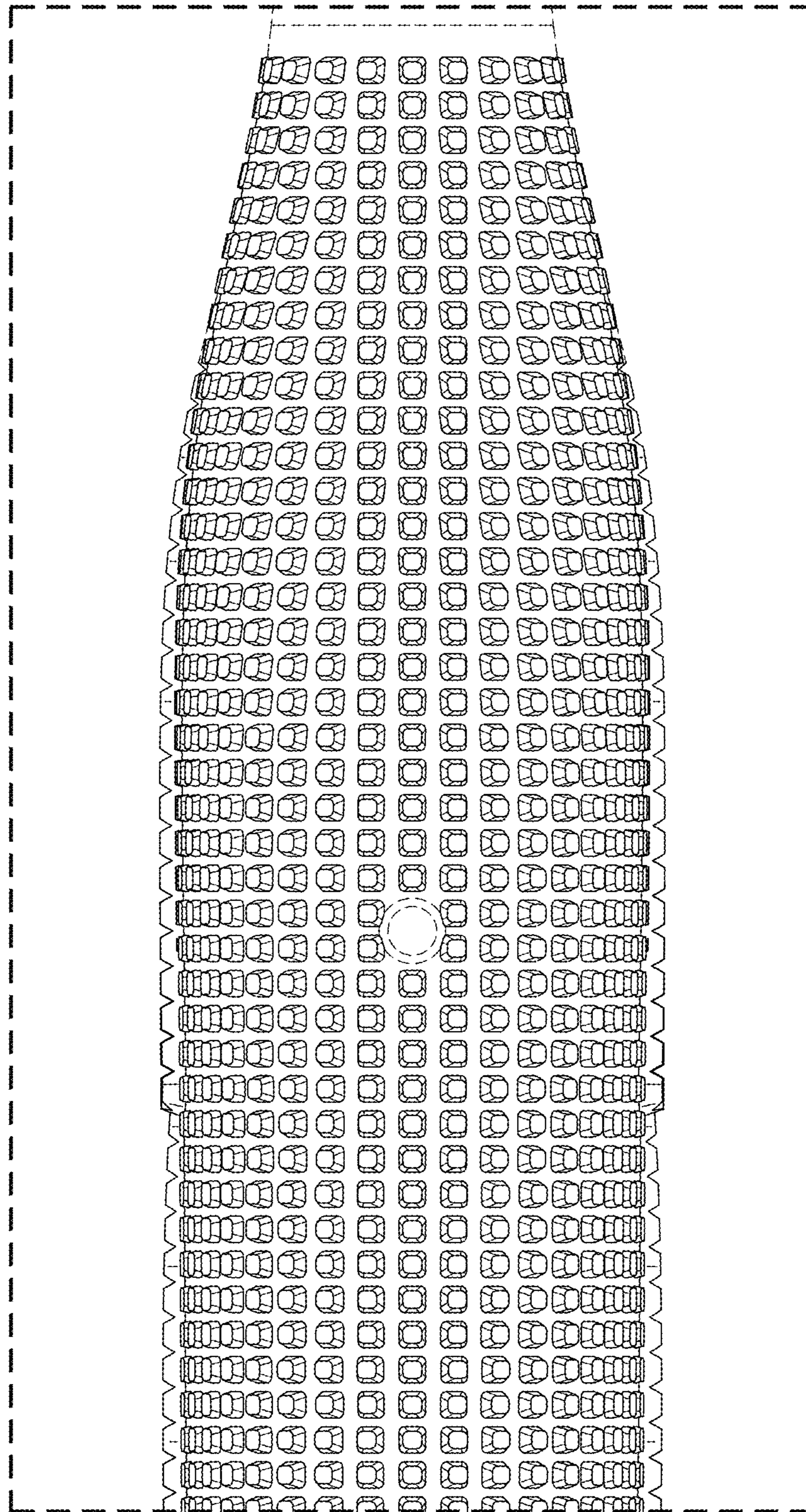


FIG. 8

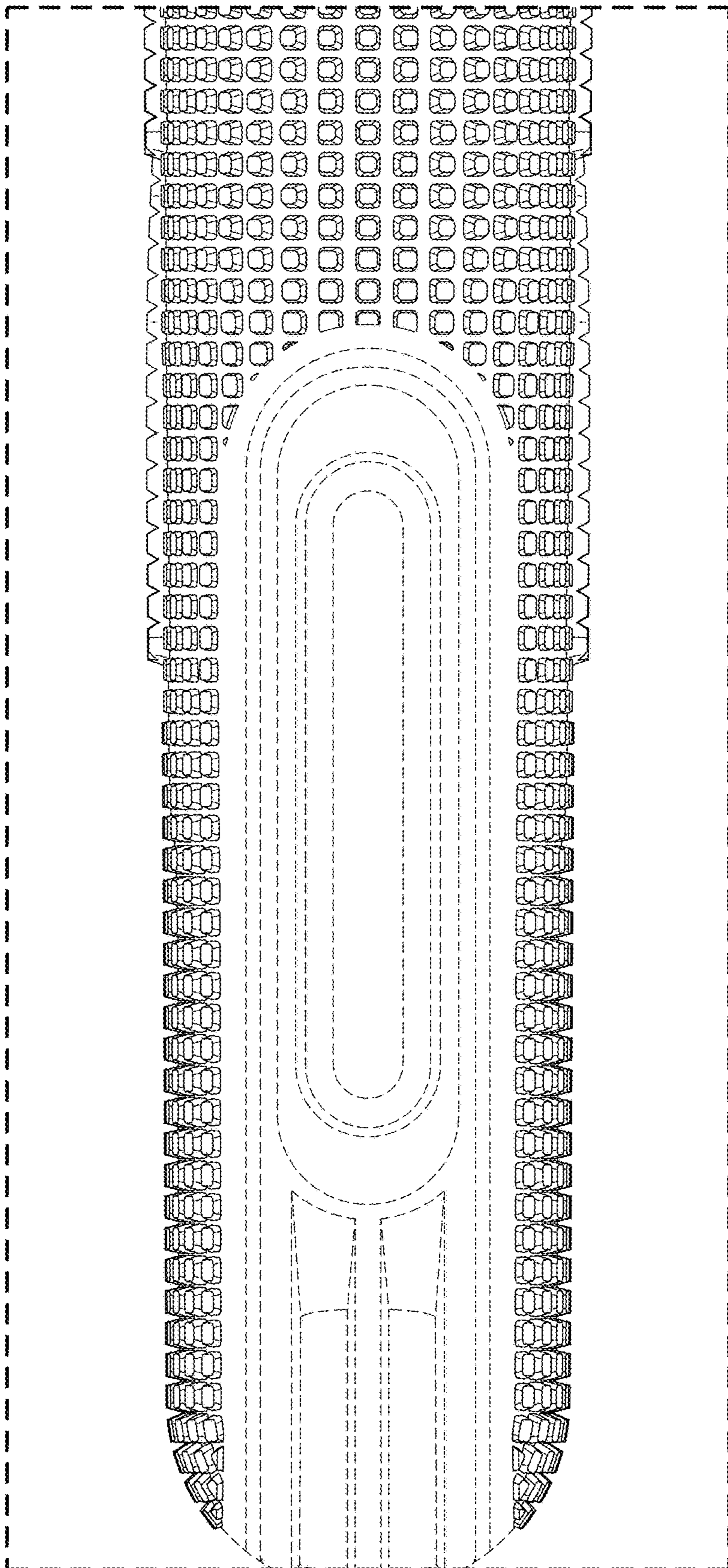


FIG. 9

FIG. 10

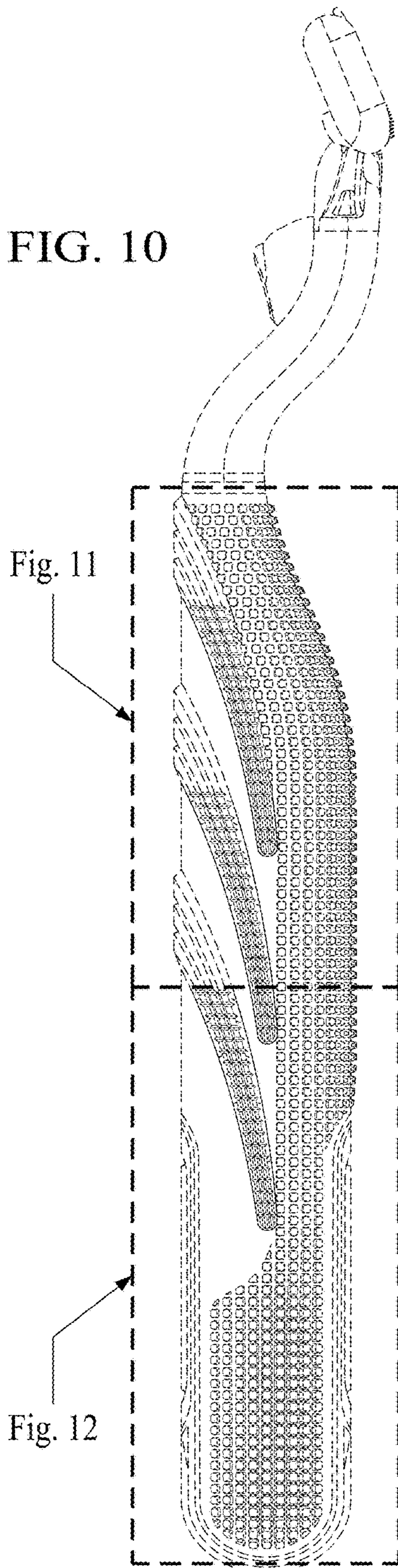
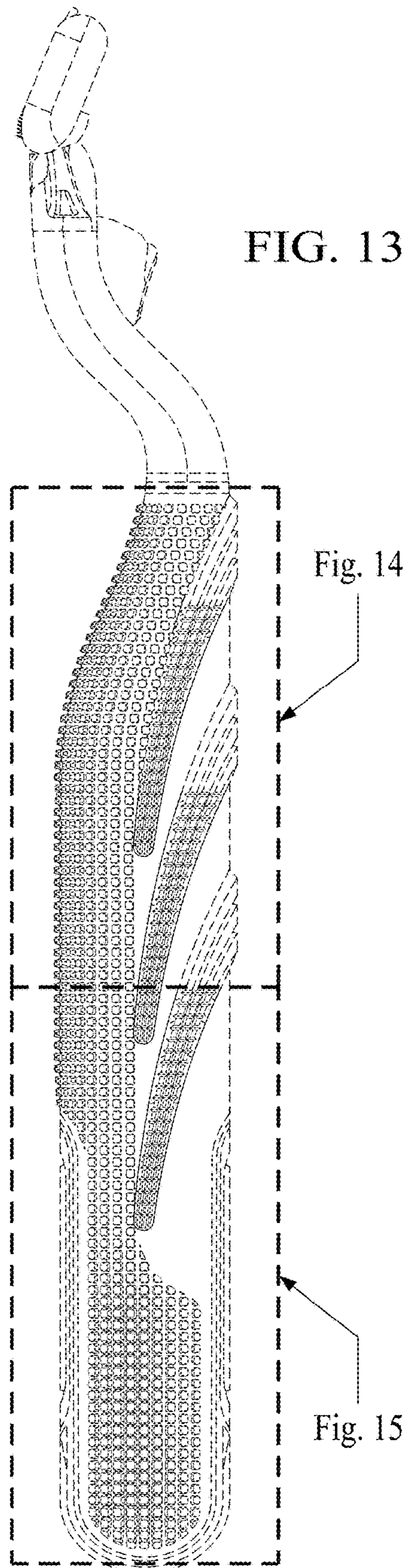


FIG. 13



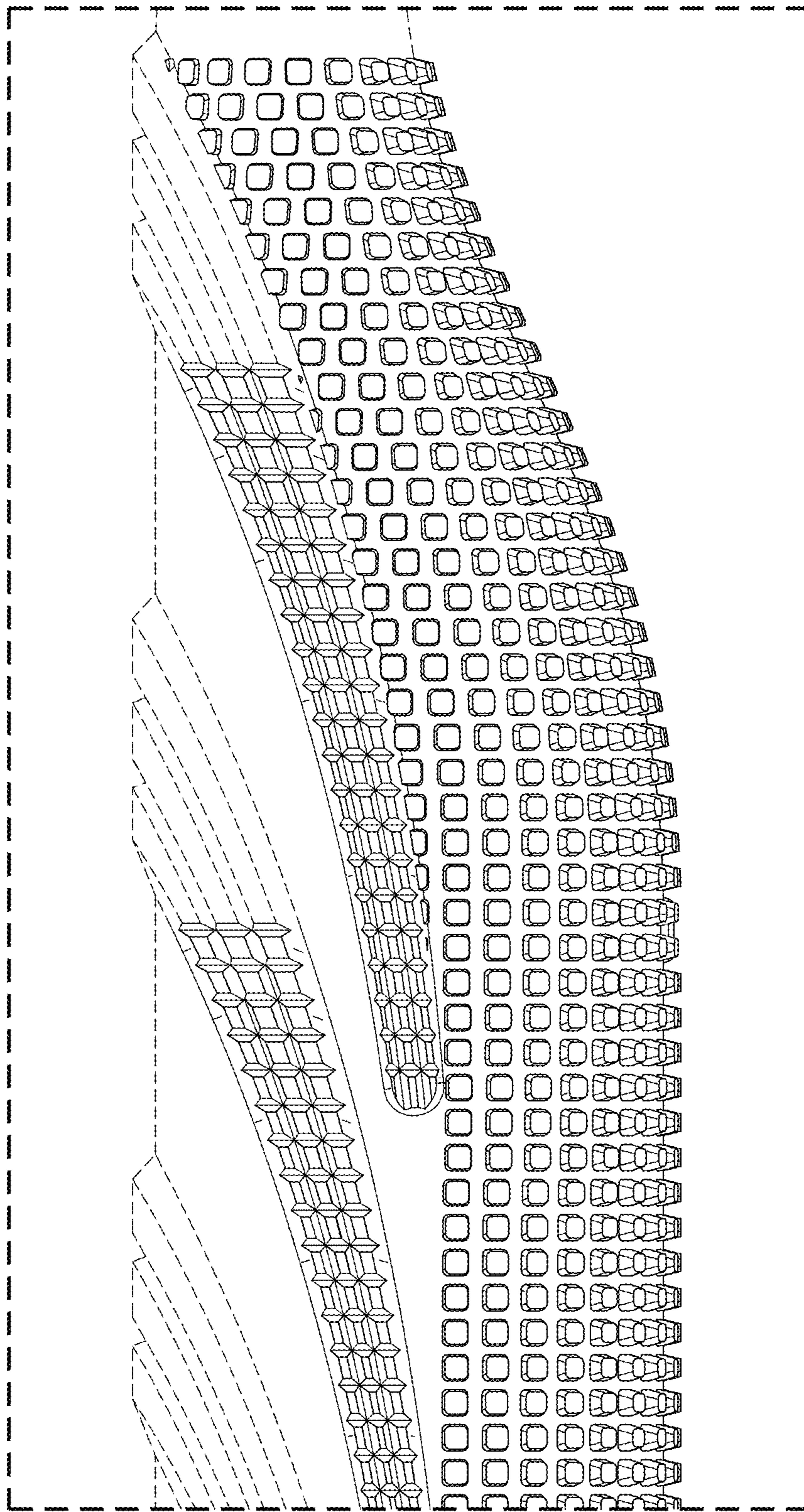


FIG. 11

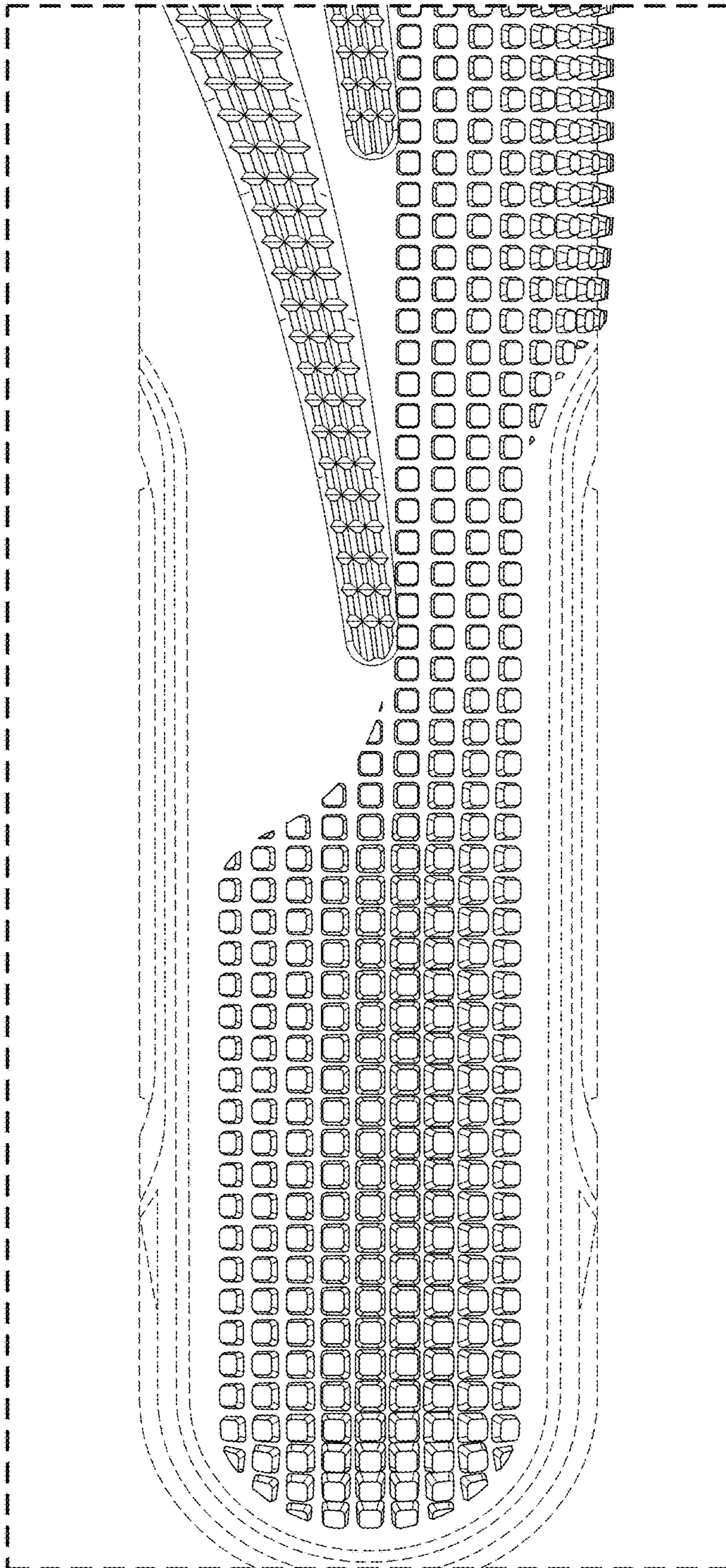


FIG. 12

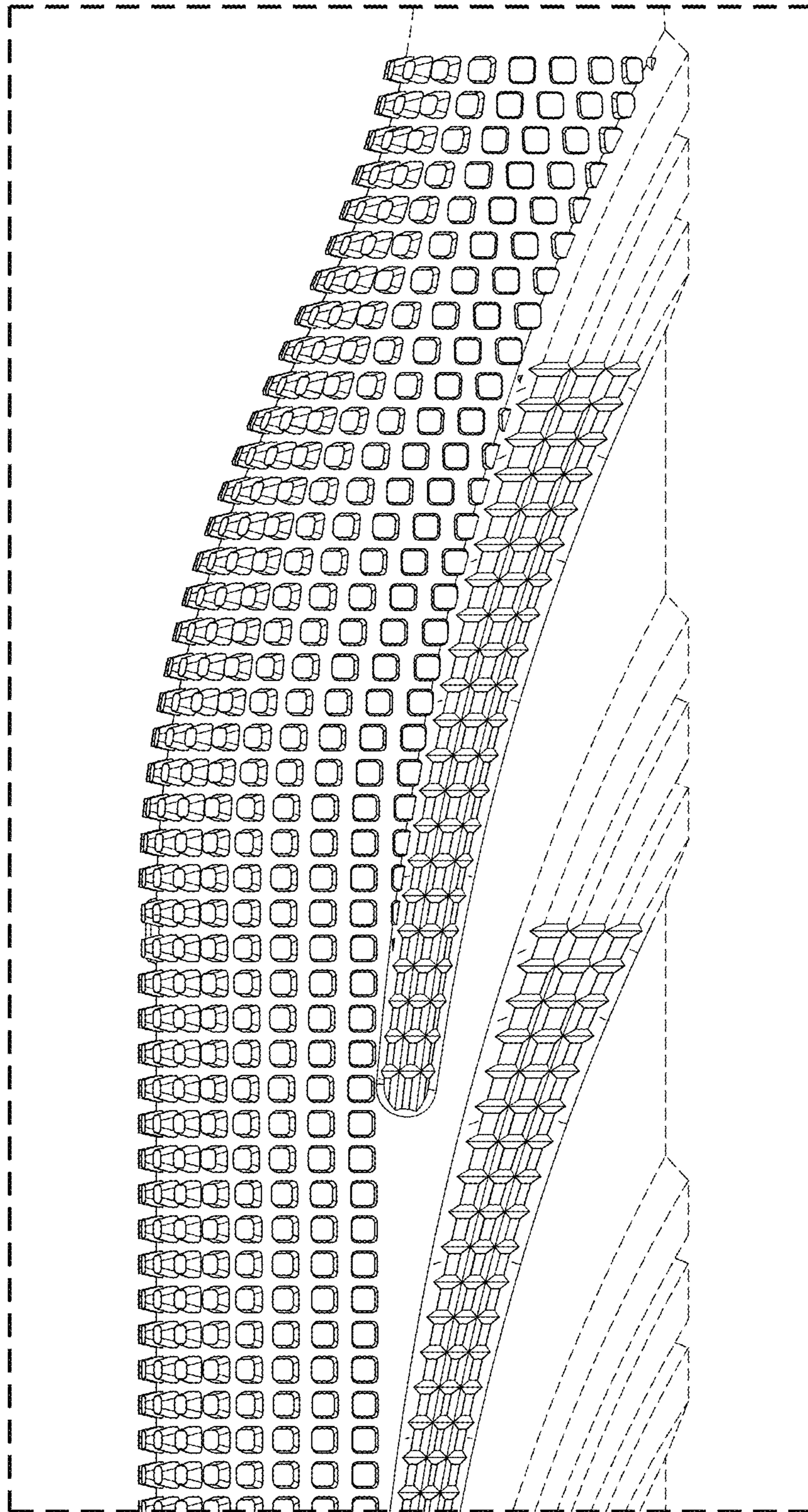


FIG. 14

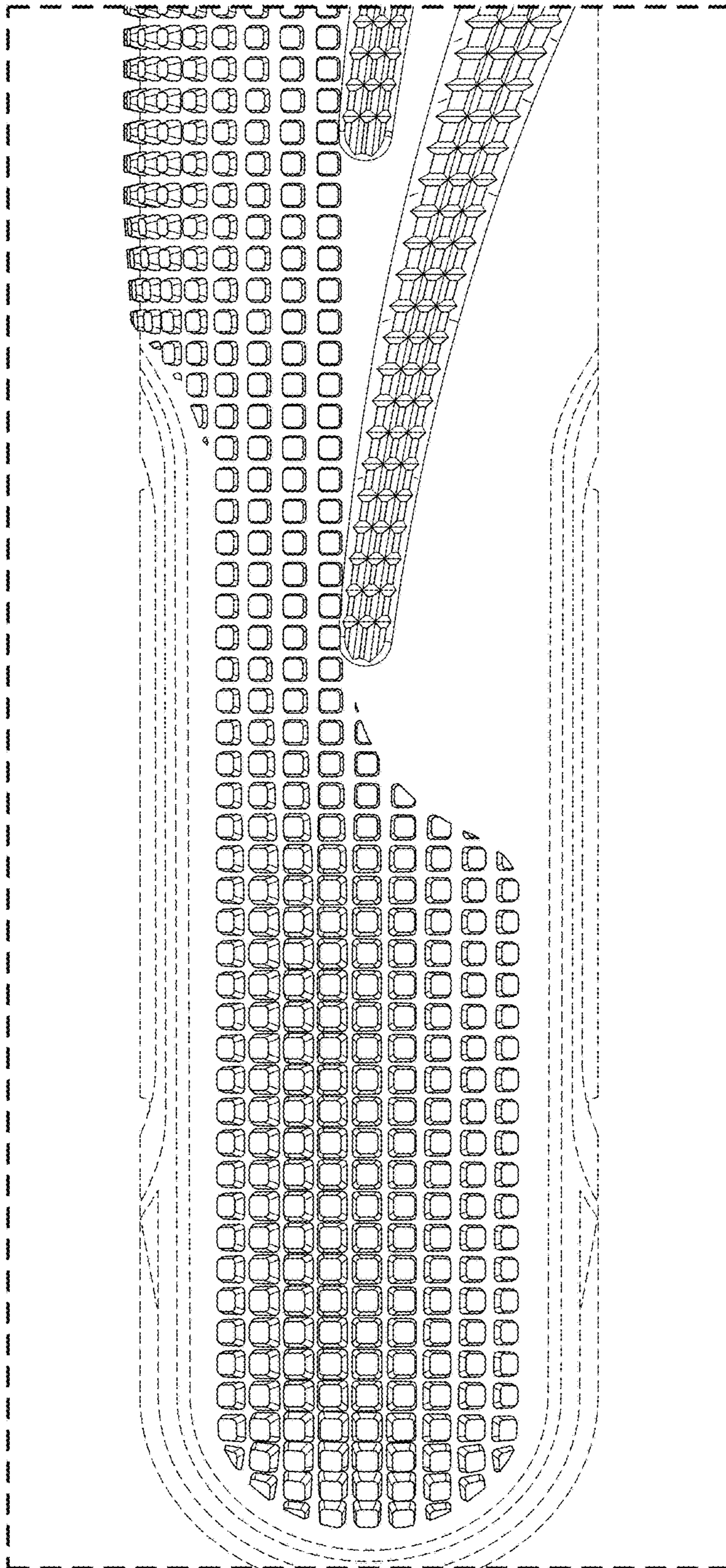
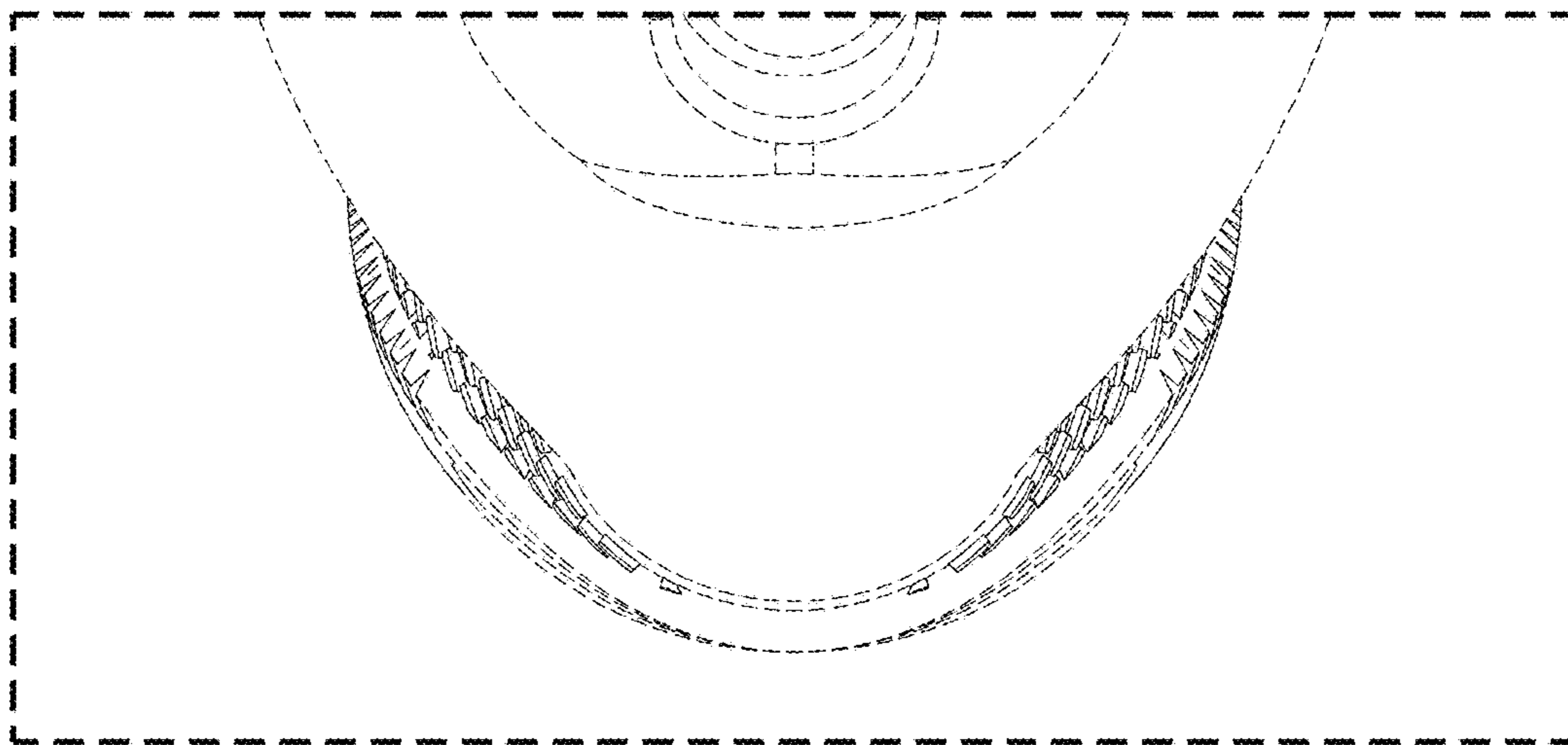
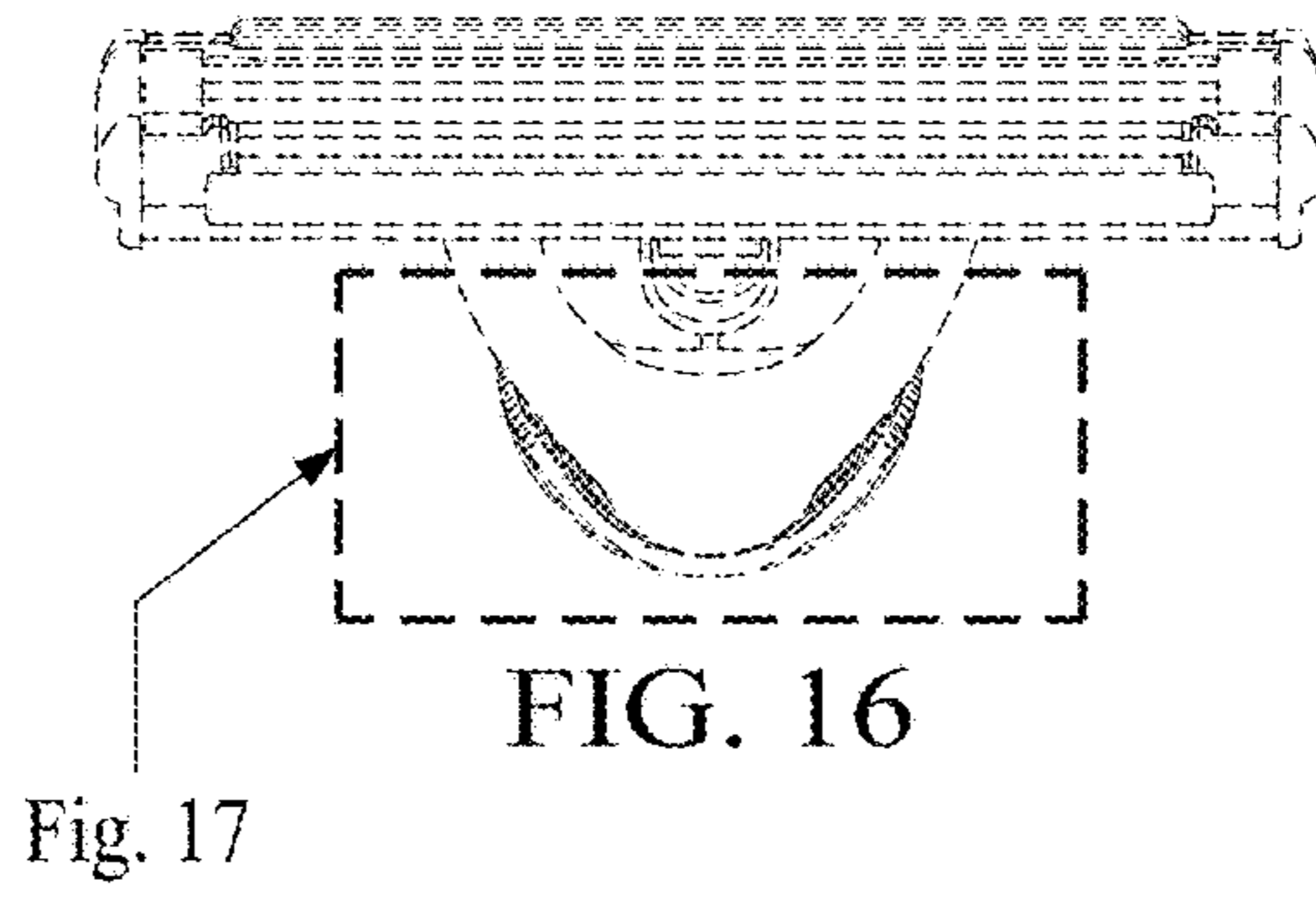


FIG. 15





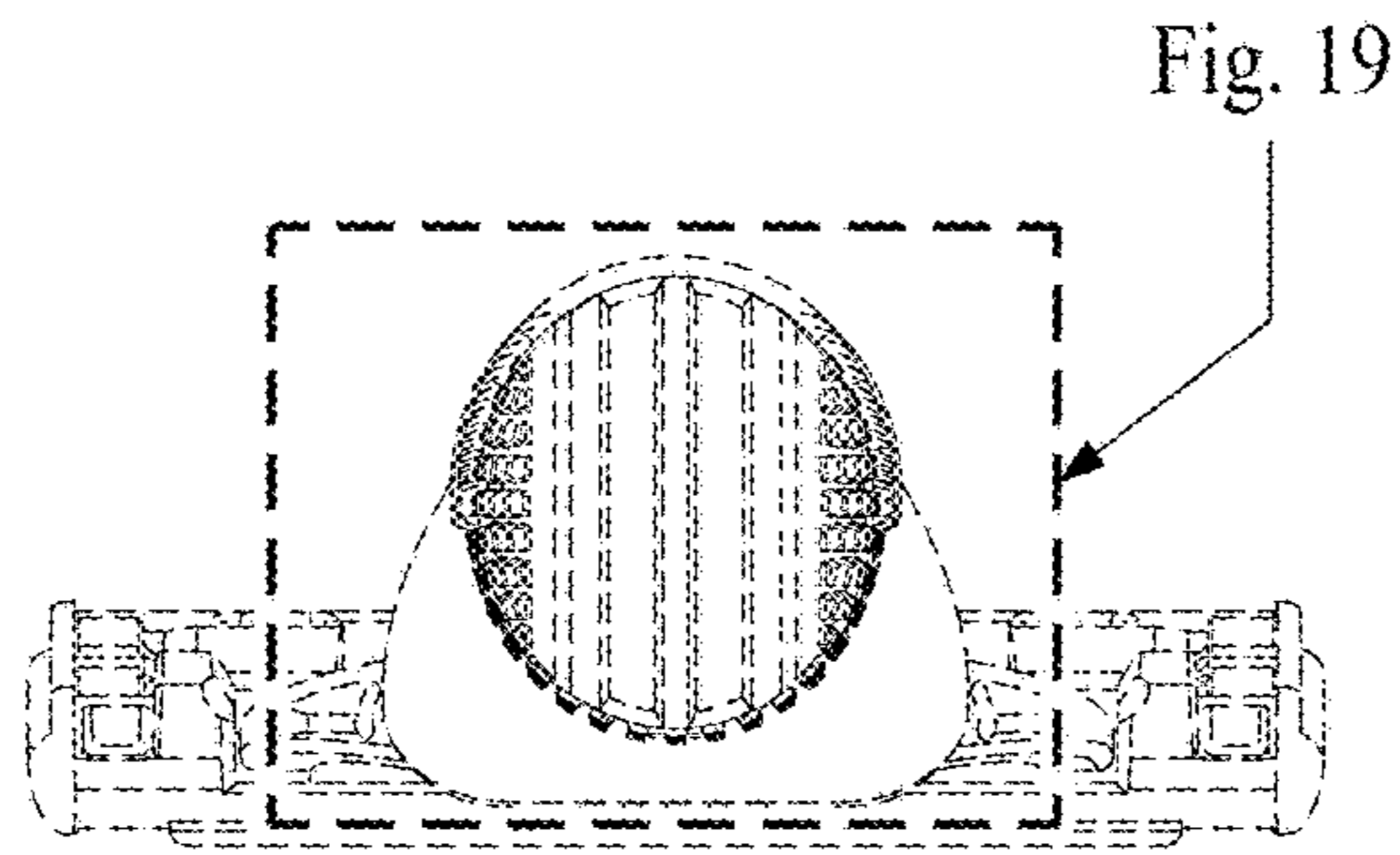


FIG. 18

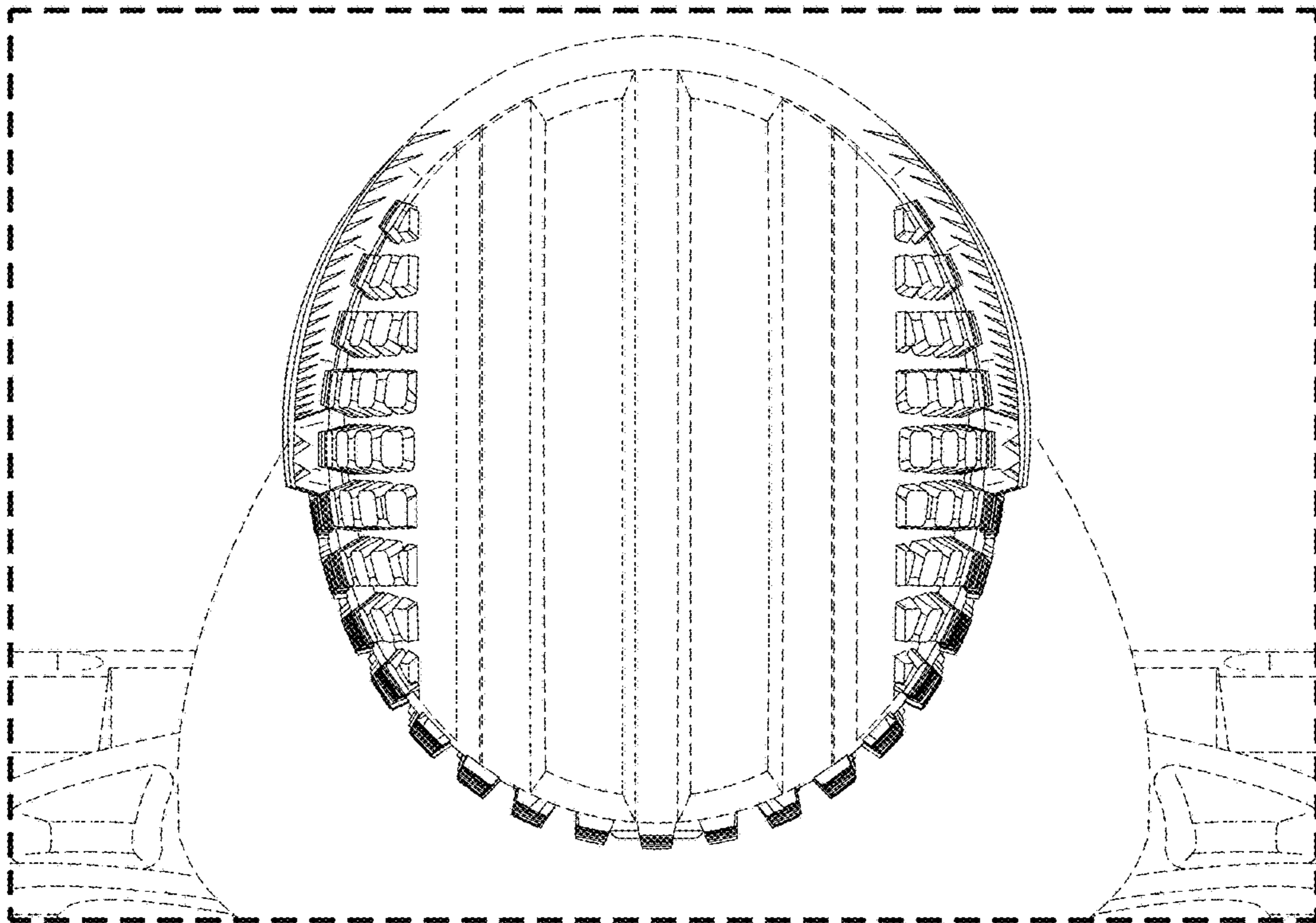


FIG. 19