



US00D797370S

(12) **United States Design Patent** (10) **Patent No.:** **US D797,370 S**
Kesselman et al. (45) **Date of Patent:** **** Sep. 12, 2017**

(54) **COMBINED SCOOP AND HOLDER FOR ROLLING PAPER OR CONE**

(71) Applicants: **Joshua David Kesselman**, Vancouver (CA); **Ian Kobe**, Tempe, AZ (US)

(72) Inventors: **Joshua David Kesselman**, Vancouver (CA); **Ian Kobe**, Tempe, AZ (US)

(73) Assignee: **BBK TOBACCO & FOODS, LLP**, Phoenix, AZ (US)

(**) Term: **15 Years**

(21) Appl. No.: **29/564,358**

(22) Filed: **May 12, 2016**

(51) **LOC (10) Cl.** **27-99**

(52) **U.S. Cl.**
USPC **D27/194**

(58) **Field of Classification Search**
USPC D27/100, 101, 162, 163-169, 172, 175, D27/186, 189, 193, 194, 195, 136, 137, D27/138, 139, 141, 144
CPC .. A24F 47/008; A24F 5/00; A24F 7/02; A24F 3/00; A24F 47/002; A24F 15/12; A24F 15/18

See application file for complete search history.

(56) **References Cited**

U.S. PATENT DOCUMENTS

D142,178 S * 8/1945 Becwar D27/186
D245,658 S * 9/1977 Grusin D6/310
D275,897 S * 10/1984 Schutze D27/194
D450,556 S * 11/2001 Biller D15/139
D569,033 S * 5/2008 Parcevaux D27/194

D613,033 S * 4/2010 Lin D27/194
D665,529 S * 8/2012 Malacsina D27/194
D737,509 S * 8/2015 Now D27/194
D741,541 S * 10/2015 Liu D27/186
D754,921 S * 4/2016 Chaisty D27/194
D769,521 S * 10/2016 Lin D27/194
2004/0099276 A1 * 5/2004 Parcevaux A24C 5/425
131/70
2015/0013691 A1 * 1/2015 Parcevaux A24C 5/44
131/55

* cited by examiner

Primary Examiner — Robert M Spear

Assistant Examiner — Marissa J Cash

(74) *Attorney, Agent, or Firm* — Weiss & Moy, P.C.; Jeffrey D. Moy

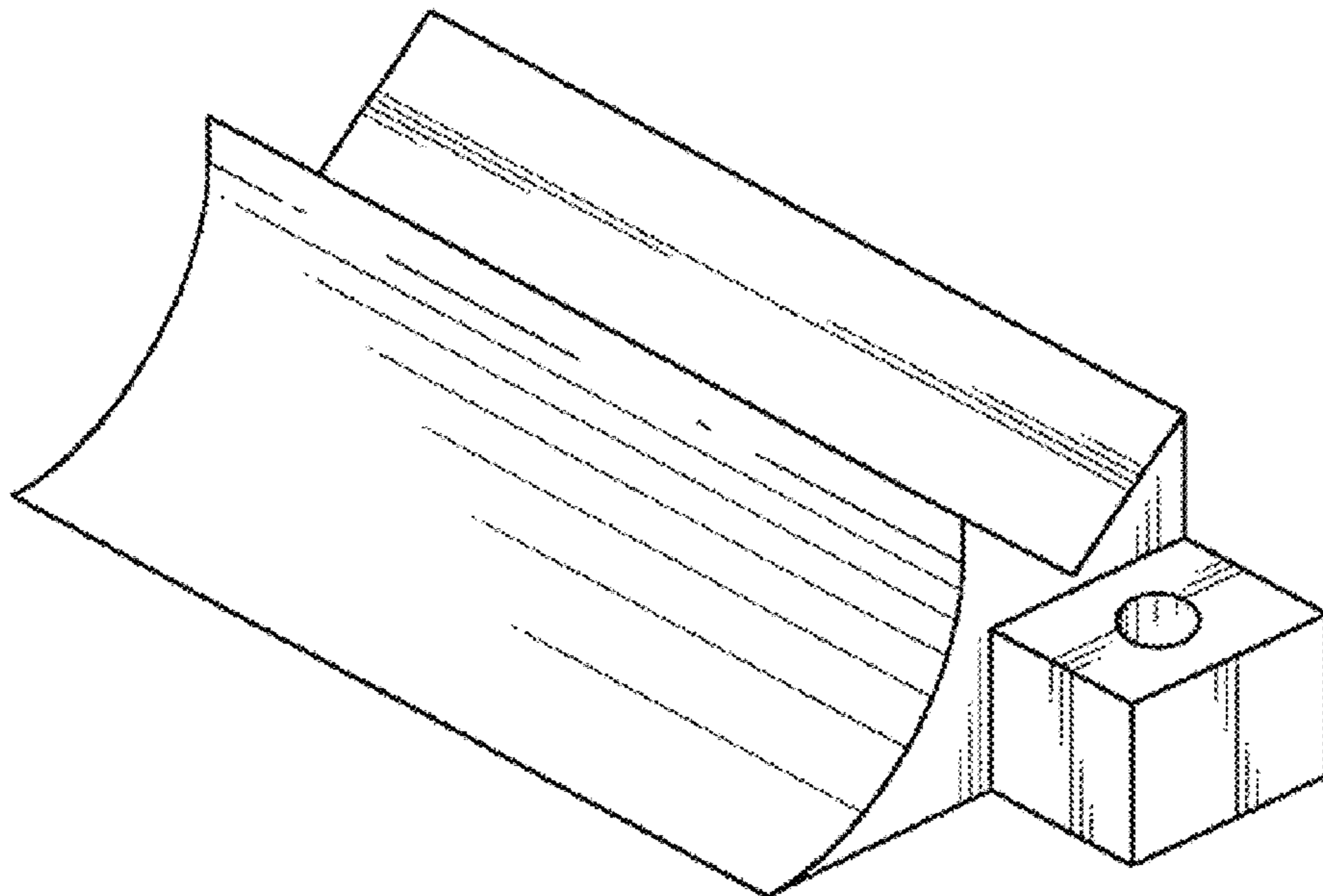
(57) **CLAIM**

The ornamental design for a combined scoop and holder for rolling paper or cone, as shown and described.

DESCRIPTION

FIG. 1 is a perspective view of a combined scoop and holder for rolling paper or cone;
FIG. 2 is a front view of the combined scoop and holder for rolling paper or cone;
FIG. 3 is a rear view of the combined scoop and holder for rolling paper or cone;
FIG. 4 is a first side view of the combined scoop and holder for rolling paper or cone;
FIG. 5 is a second side view of the combined scoop and holder for rolling paper or cone;
FIG. 6 is a top view of the combined scoop and holder for rolling paper or cone; and,
FIG. 7 is a bottom view of the combined scoop and holder for rolling paper or cone.

1 Claim, 1 Drawing Sheet



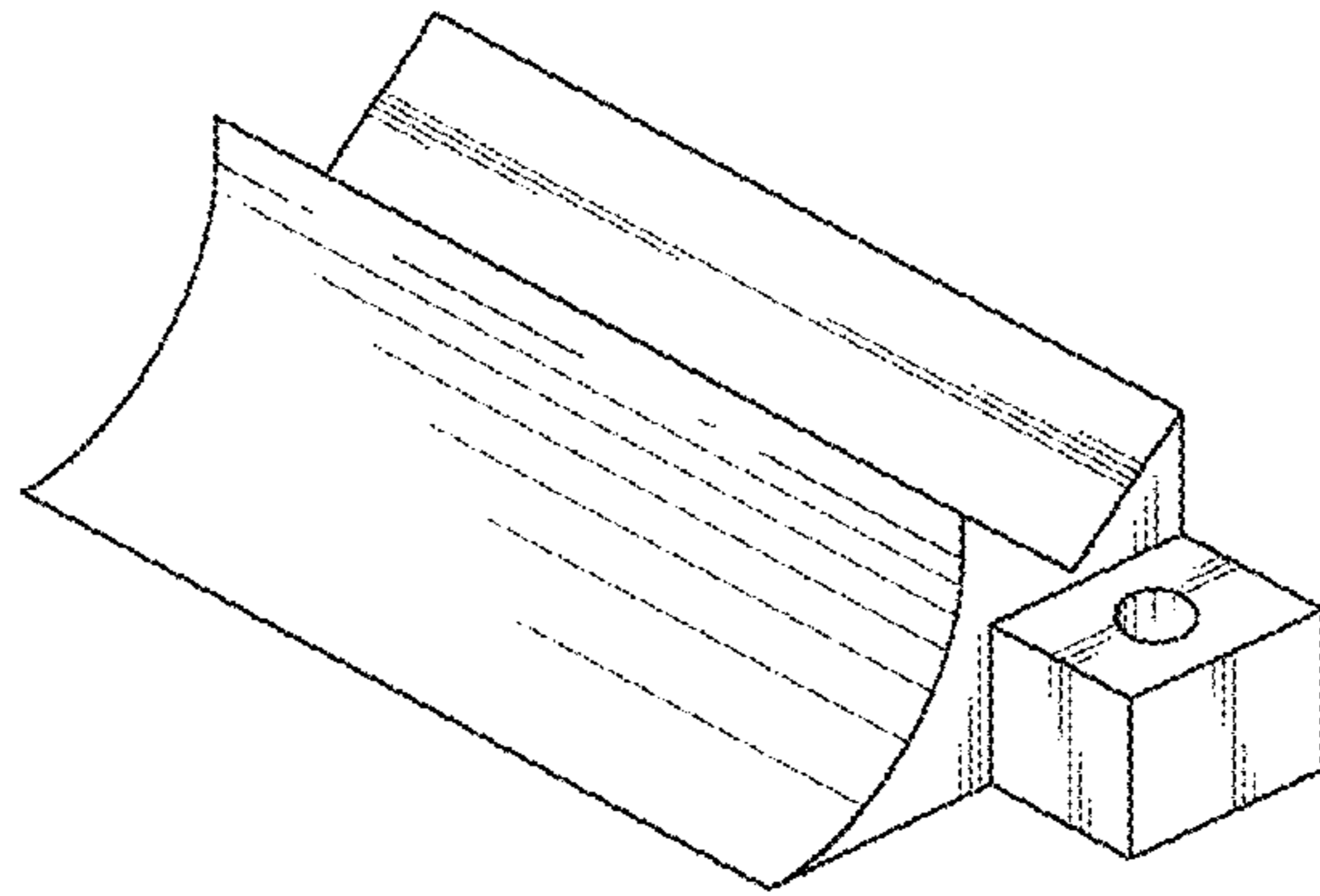


FIG. 1

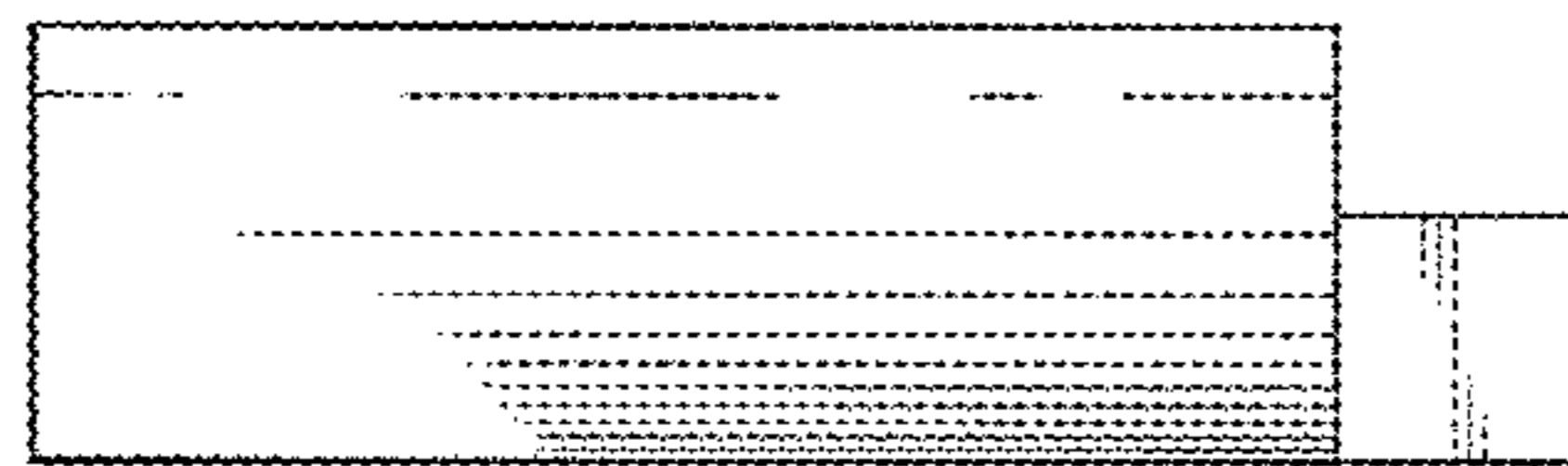


FIG. 2

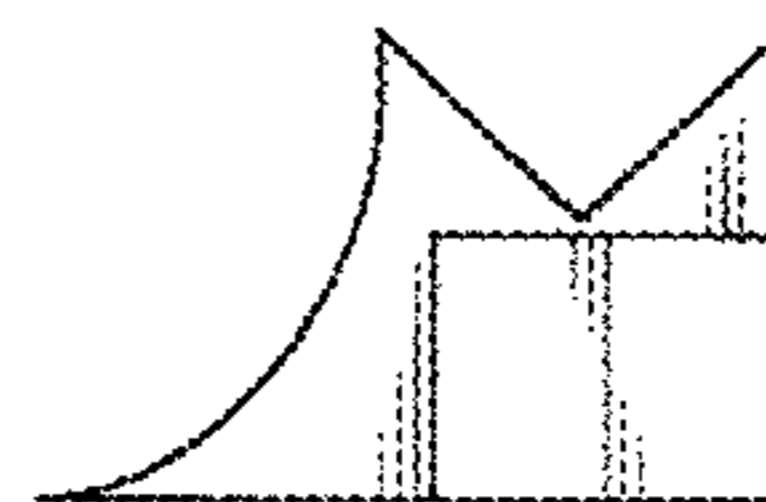


FIG. 4

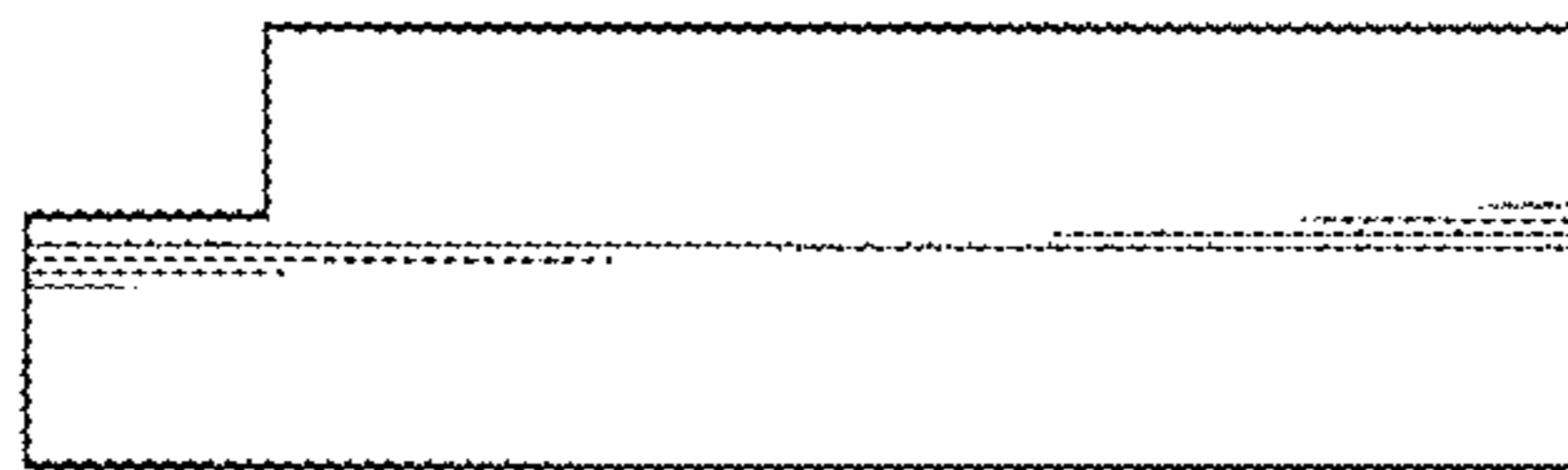


FIG. 3

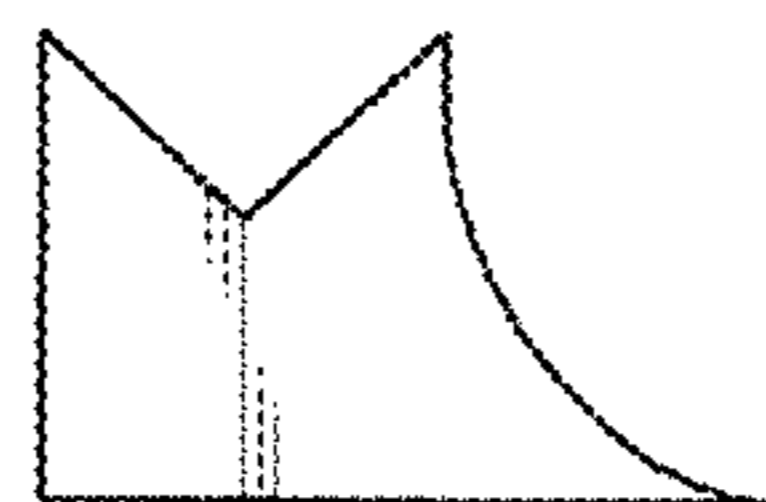


FIG. 5

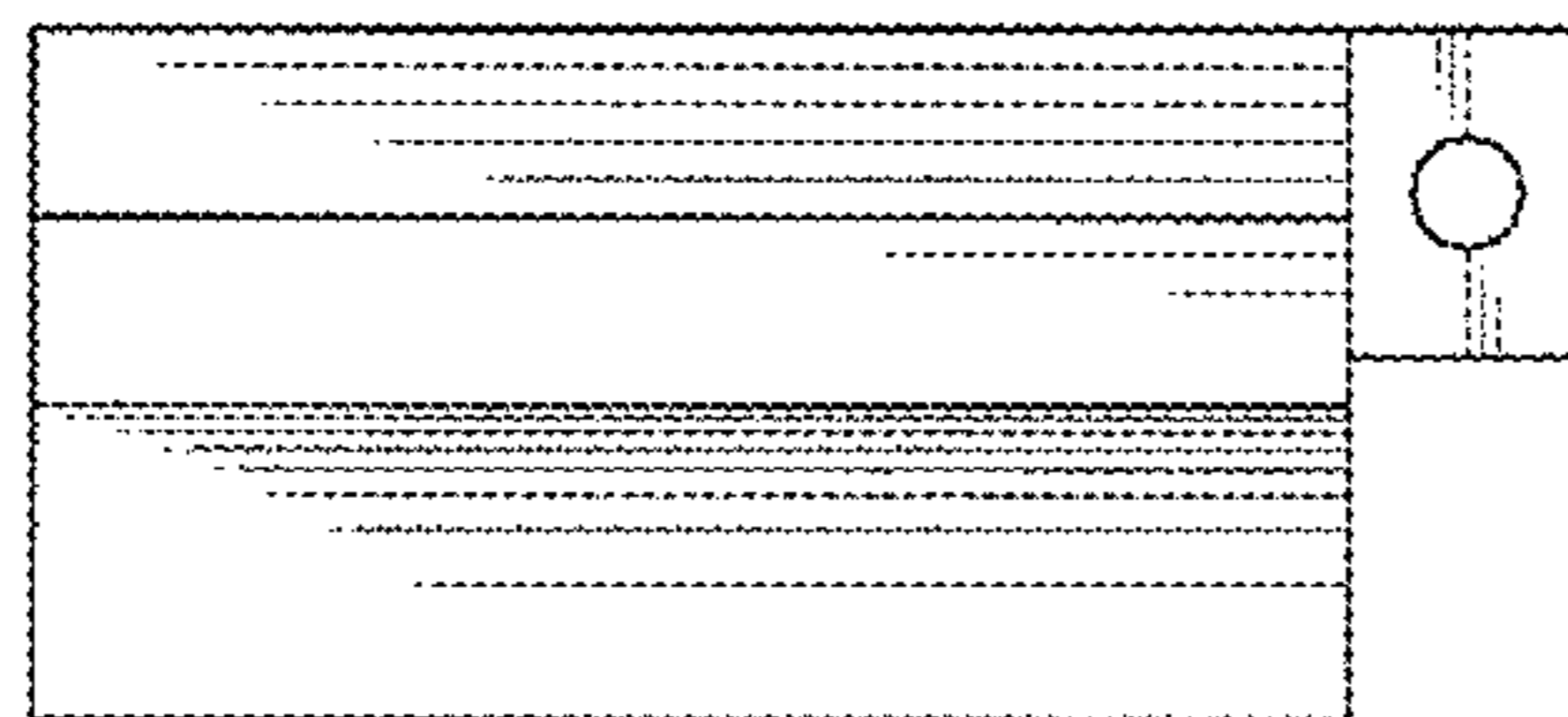


FIG. 6

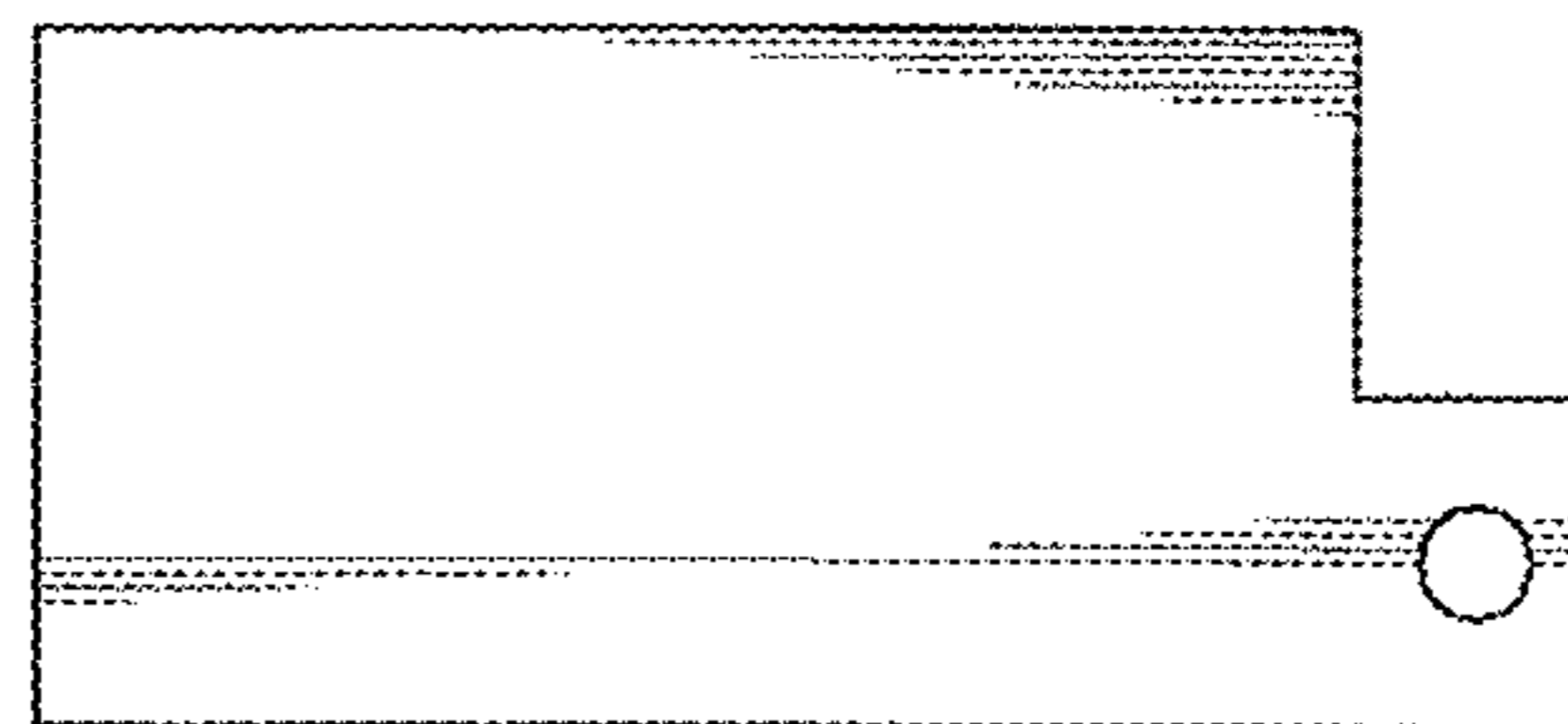


FIG. 7