



US00D797369S

(12) **United States Design Patent** (10) **Patent No.:** **US D797,369 S**
Yamada et al. (45) **Date of Patent:** **** Sep. 12, 2017**

(54) **TOBACCO SUCTION TOOL**
(71) Applicant: **Japan Tobacco Inc.**, Tokyo (JP)
(72) Inventors: **Manabu Yamada**, Tokyo (JP);
Masafumi Tarora, Tokyo (JP);
Hirofumi Matsumoto, Tokyo (JP)

(73) Assignee: **Japan Tobacco Inc.**, Tokyo (JP)

(**) Term: **15 Years**

(21) Appl. No.: **29/572,016**

(22) Filed: **Jul. 25, 2016**

(30) **Foreign Application Priority Data**

Jan. 25, 2016 (JP) 2016-001325

(51) **LOC (10) Cl.** **27-01**

(52) **U.S. Cl.**
USPC **D27/101**

(58) **Field of Classification Search**
USPC D27/101, 100, 106, 108, 163, 165, 169,
D27/172, 174, 175, 183, 186-190, 193,
D27/194, 195; D24/100, 110; 131/270,
131/273, 274, 191, 330, 329
CPC A24F 47/002; A24F 47/004; A24F 47/006;
A24F 47/008; A61M 15/06
See application file for complete search history.

(56) **References Cited**

U.S. PATENT DOCUMENTS

8,499,766 B1 * 8/2013 Newton A24F 47/008
131/273
D695,449 S * 12/2013 Tucker D27/101
D730,286 S 5/2015 Liu et al.
D750,835 S * 3/2016 Wei D27/101
D770,086 S * 10/2016 Tucker D27/101
D780,372 S * 2/2017 Liu D27/101
D782,729 S * 3/2017 Wright D27/101

D784,609 S * 4/2017 Liu D27/101
9,609,893 B2 * 4/2017 Novak, III A24F 47/008
9,615,605 B2 * 4/2017 Liu A24F 47/008
9,615,607 B2 * 4/2017 Liu A24F 47/008
2010/0200008 A1 * 8/2010 Taieb A24F 47/008
131/360

(Continued)

FOREIGN PATENT DOCUMENTS

CN 302715975 S 1/2014
EM 002444430-0001 6/2014

(Continued)

Primary Examiner — Susan Bennett Hattan
Assistant Examiner — Rebecca Tsehaye
(74) *Attorney, Agent, or Firm* — Ohlandt, Greeley,
Ruggiero & Perle, L.L.P.

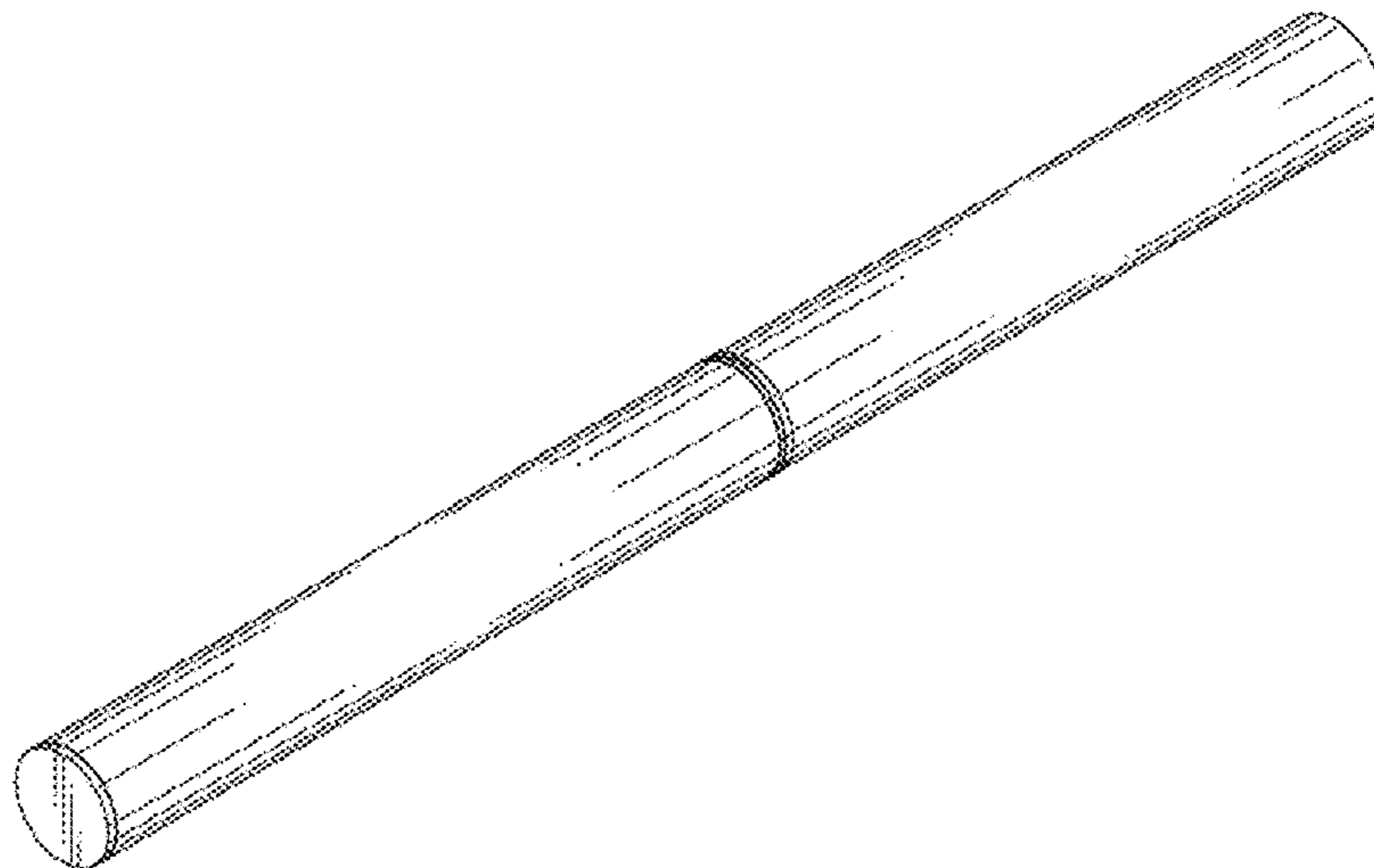
(57) **CLAIM**

The ornamental design for a tobacco suction tool, as shown and described.

DESCRIPTION

FIG. 1 is a perspective view from the left side of a tobacco suction tool.
FIG. 2 is a perspective view from the right side thereof.
FIG. 3 is a front elevation view thereof.
FIG. 4 is a rear elevation view thereof.
FIG. 5 is a top plan view thereof.
FIG. 6 is a bottom plan view thereof.
FIG. 7 is a left side elevation view thereof.
FIG. 8 is a right side elevation view thereof.
FIG. 9 is an enlarged cross-sectional view taken along the line 9-9 in FIG. 7, which omits the internal structure thereof.
FIG. 10 is a perspective view from the left side showing the state that the battery and the cartridge are separated; and,
FIG. 11 is a perspective view from the right side showing the state that the battery and the cartridge are separated.

1 Claim, 11 Drawing Sheets



(56)

References Cited

U.S. PATENT DOCUMENTS

2014/0150785 A1* 6/2014 Malik A61M 15/06
128/202.21
2014/0332017 A1* 11/2014 Liu A24F 47/008
131/329

FOREIGN PATENT DOCUMENTS

JP D1385677 3/2010
JP D1385679 3/2010
JP O1385677 D 4/2010
JP O1385679 D 4/2010
KR 30-2013-0040813 12/2013
KR 30-0721091 12/2013
KR 30-2013-0064261 9/2014
KR 30-0763926 9/2014

* cited by examiner

FIG. 1

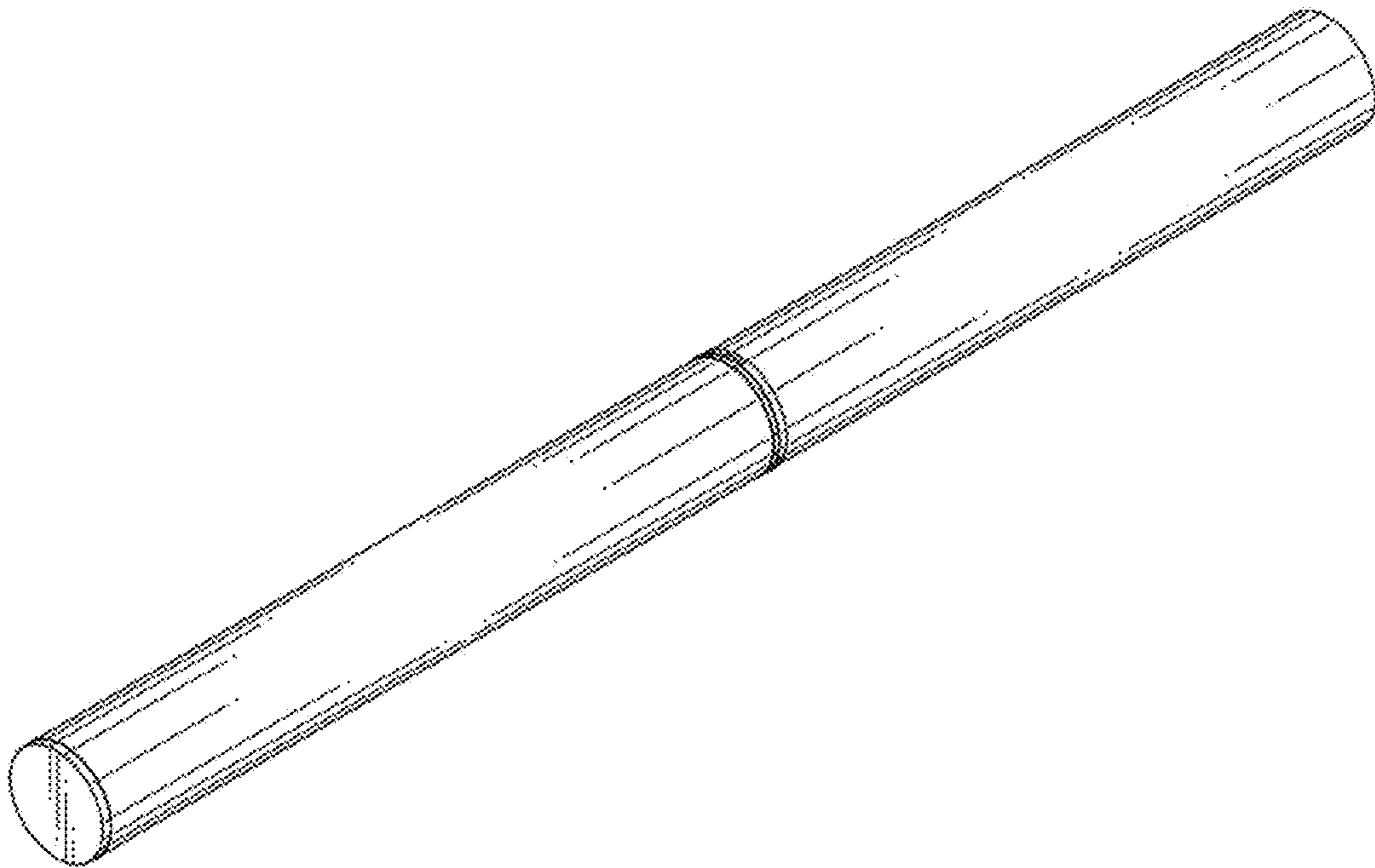


FIG. 2

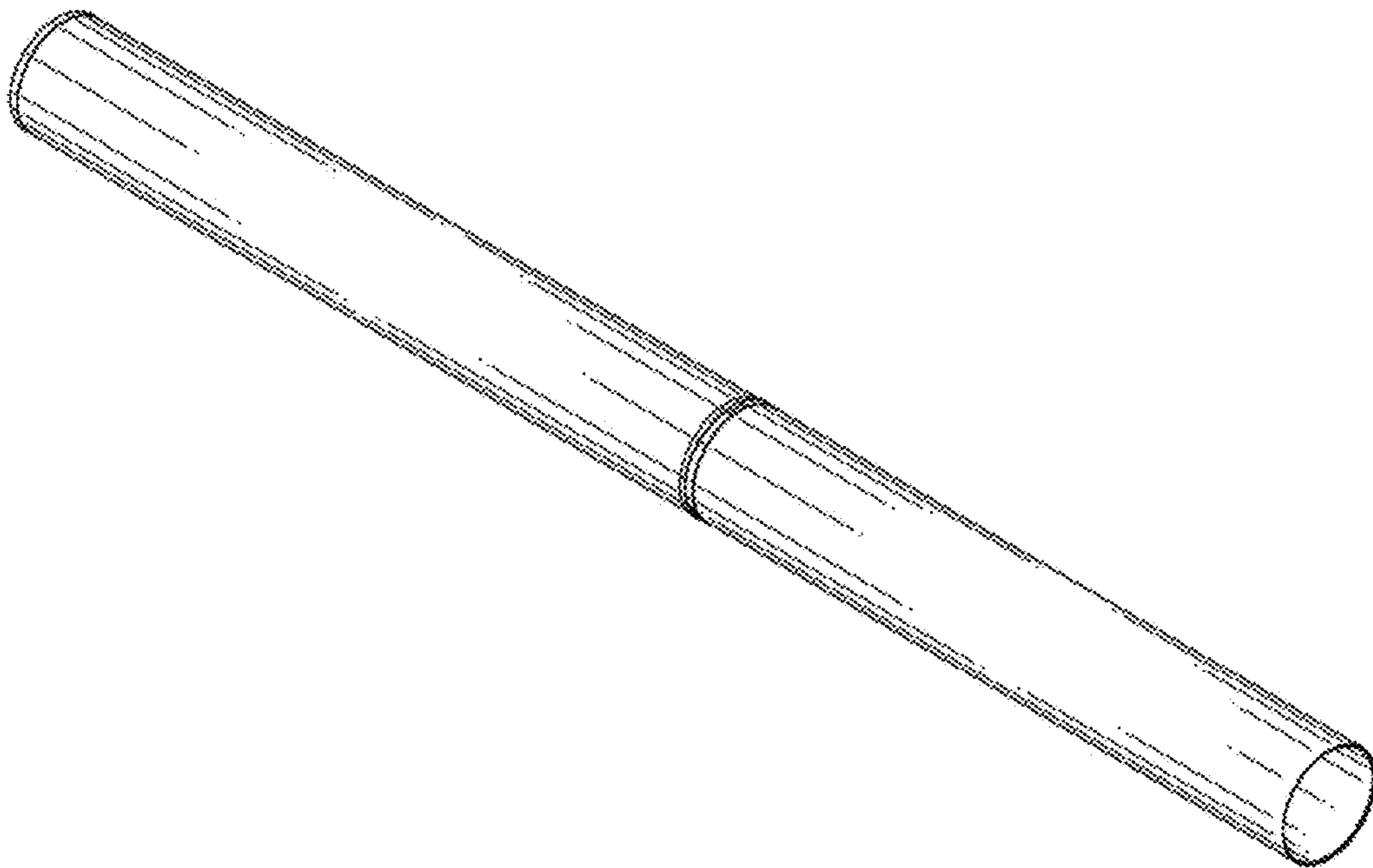


FIG. 3

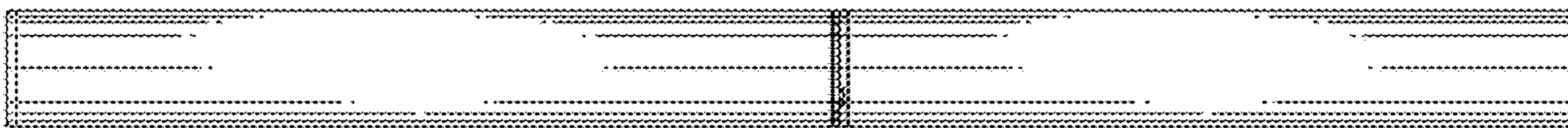


FIG. 4

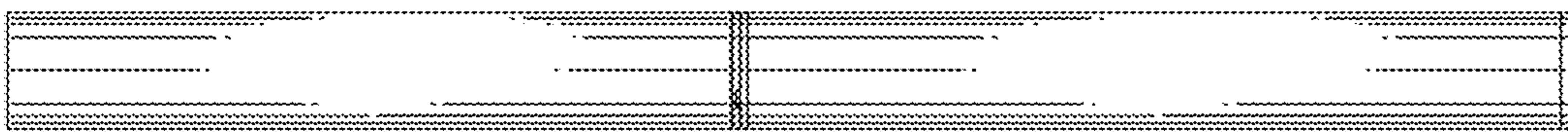


FIG. 5



FIG. 6

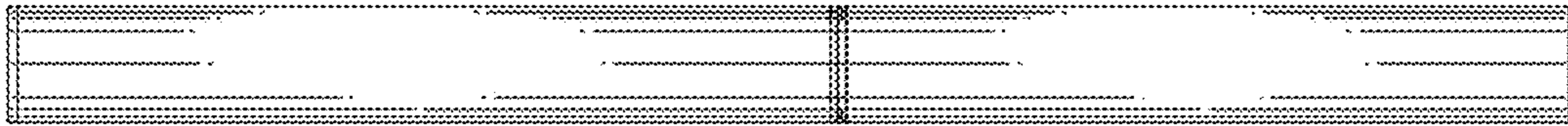


FIG. 7

9 ←



9 ←

FIG. 8



FIG. 9

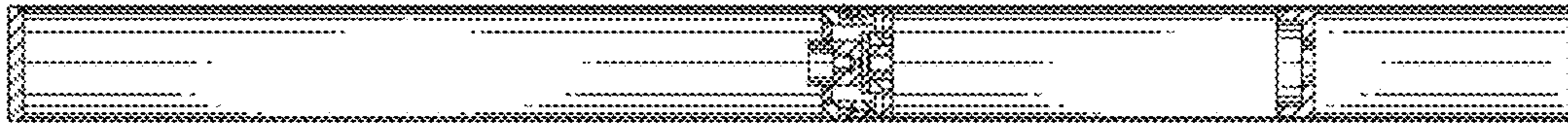


FIG. 10

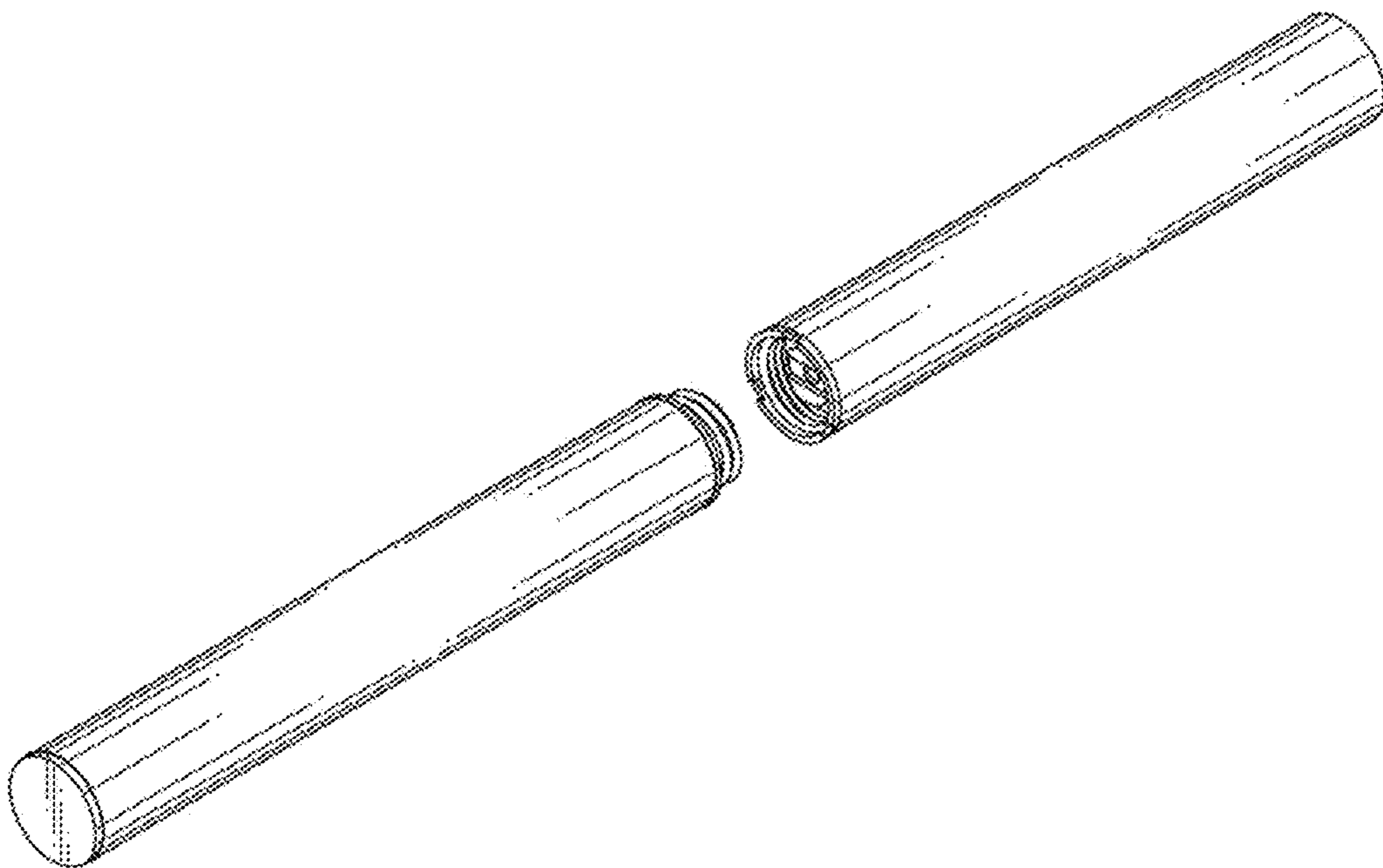


FIG. 11

