



US00D797367S

(12) **United States Design Patent** (10) **Patent No.:** **US D797,367 S**
Hart (45) **Date of Patent:** **** Sep. 12, 2017**

- (54) **SKID MOUNTED LIGHT TOWER**
- (71) Applicant: **HART OILFIELD RENTALS LTD.**,
Rocky Mountain House (CA)
- (72) Inventor: **Gordon Hart**, Rocky Mountain House
(CA)
- (**) Term: **14 Years**
- (21) Appl. No.: **29/486,473**
- (22) Filed: **Mar. 30, 2014**
- (51) **LOC (10) Cl.** **26-99**
- (52) **U.S. Cl.**
USPC **D26/138**
- (58) **Field of Classification Search**
USPC D26/24, 39, 59, 67, 68, 69, 70, 71, 72,
D26/74, 77, 80, 88, 89, 138, 139, 140,
D26/141, 142, 151, 152
CPC F24S 4/001; F24S 4/005; F24S 8/00; F24S
8/04; F24S 8/043; F24S 8/046; F24S
8/06-8/065; F24S 13/02; F24S 13/04;
F24S 13/06
See application file for complete search history.

(56) **References Cited**

U.S. PATENT DOCUMENTS

4,220,981	A *	9/1980	Koether	B60P 3/18 362/238
4,450,507	A *	5/1984	Gordin	B60Q 1/24 362/249.01
D275,895	S *	10/1984	Dietzen	D26/61
4,712,167	A *	12/1987	Gordin	B60Q 1/245 362/233
D294,870	S *	3/1988	Hsu	D26/81
D353,911	S *	12/1994	Gordin	D26/138

(Continued)

Primary Examiner — George D Kirschbaum
Assistant Examiner — Natasha Vujcic
(74) *Attorney, Agent, or Firm* — Sander R. Gelsing

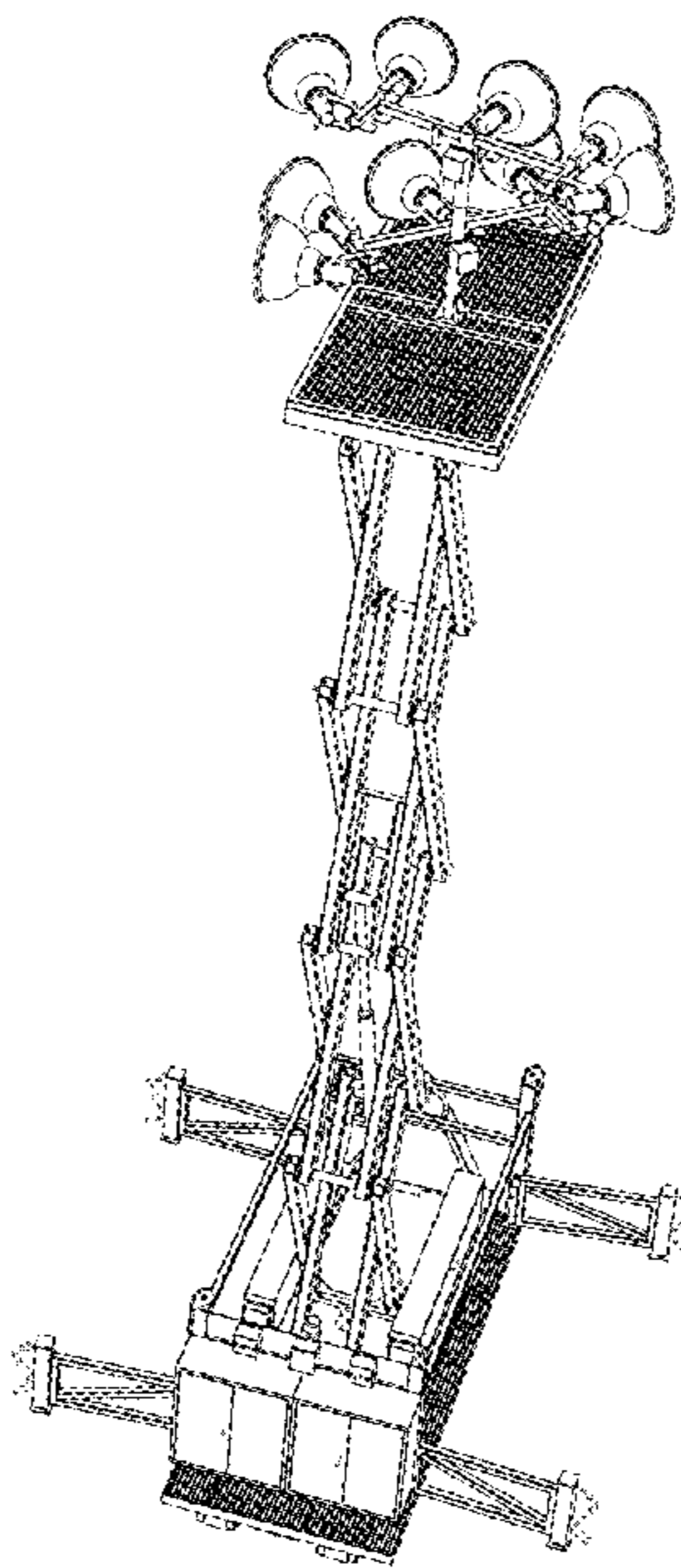
(57) **CLAIM**

The ornamental design for a skid mounted light tower, as shown and described.

DESCRIPTION

FIG. 1 is a front perspective view of the skid mounted light tower in an extended position;
 FIG. 2 is a front perspective view of the skid mounted light tower in a retracted position;
 FIG. 3 is a rear perspective view of the design in an extended position;
 FIG. 4 is a rear perspective view of the design in a retracted position;
 FIG. 5 is a rear view of the design in an extended position;
 FIG. 6 is a front view of the design in a retracted position;
 FIG. 7 is a right side view of the design in an extended position;
 FIG. 8 is a right side view of the design in a retracted position;
 FIG. 9 is a rear view of the design in an extended position;
 FIG. 10 is a rear view of the design in a retracted position;
 FIG. 11 is a left side view of the design in an extended position;
 FIG. 12 is a left side view of the design in a retracted position;
 FIG. 13 is a top view of the design in an extended position;
 FIG. 14 is a top view of the design in a retracted position;
 FIG. 15 is a bottom view of the design in an extended position; and,
 FIG. 16 is a bottom view of the design in a retracted position.
 In the figures, the broken lines are for illustrative purposes only and form no part of the claimed design.

1 Claim, 16 Drawing Sheets



(56)

References Cited

U.S. PATENT DOCUMENTS

5,371,442 A * 12/1994 Siems H05B 41/00
315/244
5,426,577 A * 6/1995 Gordin E04H 12/24
362/431
D399,595 S * 10/1998 Miller D26/140
D535,422 S * 1/2007 Mier-Langner D26/61
8,931,932 B2 * 1/2015 Lipscomb F21V 31/03
362/362
D730,827 S * 6/2015 Hart D13/112
2014/0353450 A1 * 12/2014 Hart F16M 3/00
248/346.02
2015/0308655 A1 * 10/2015 Holmes F21V 5/045
362/235

* cited by examiner

Figure 1

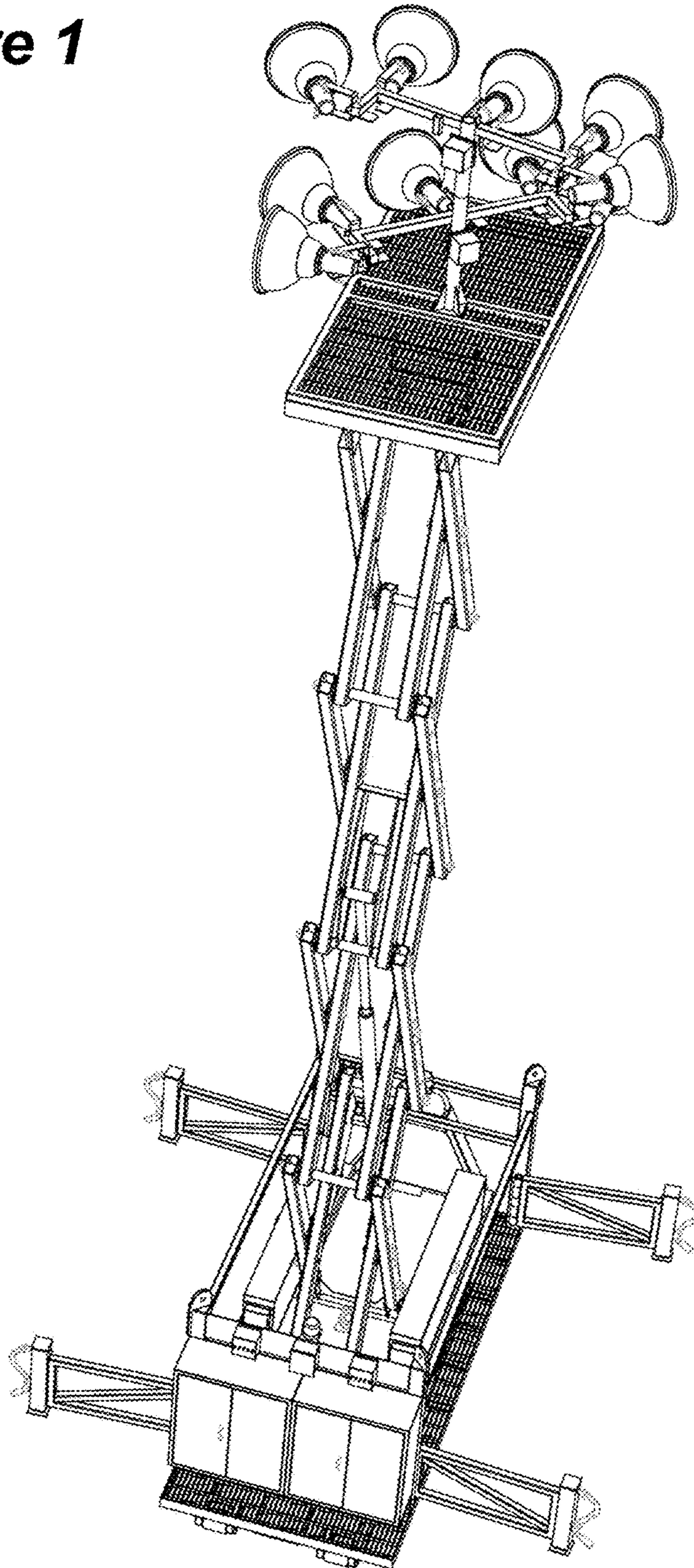


Figure 2

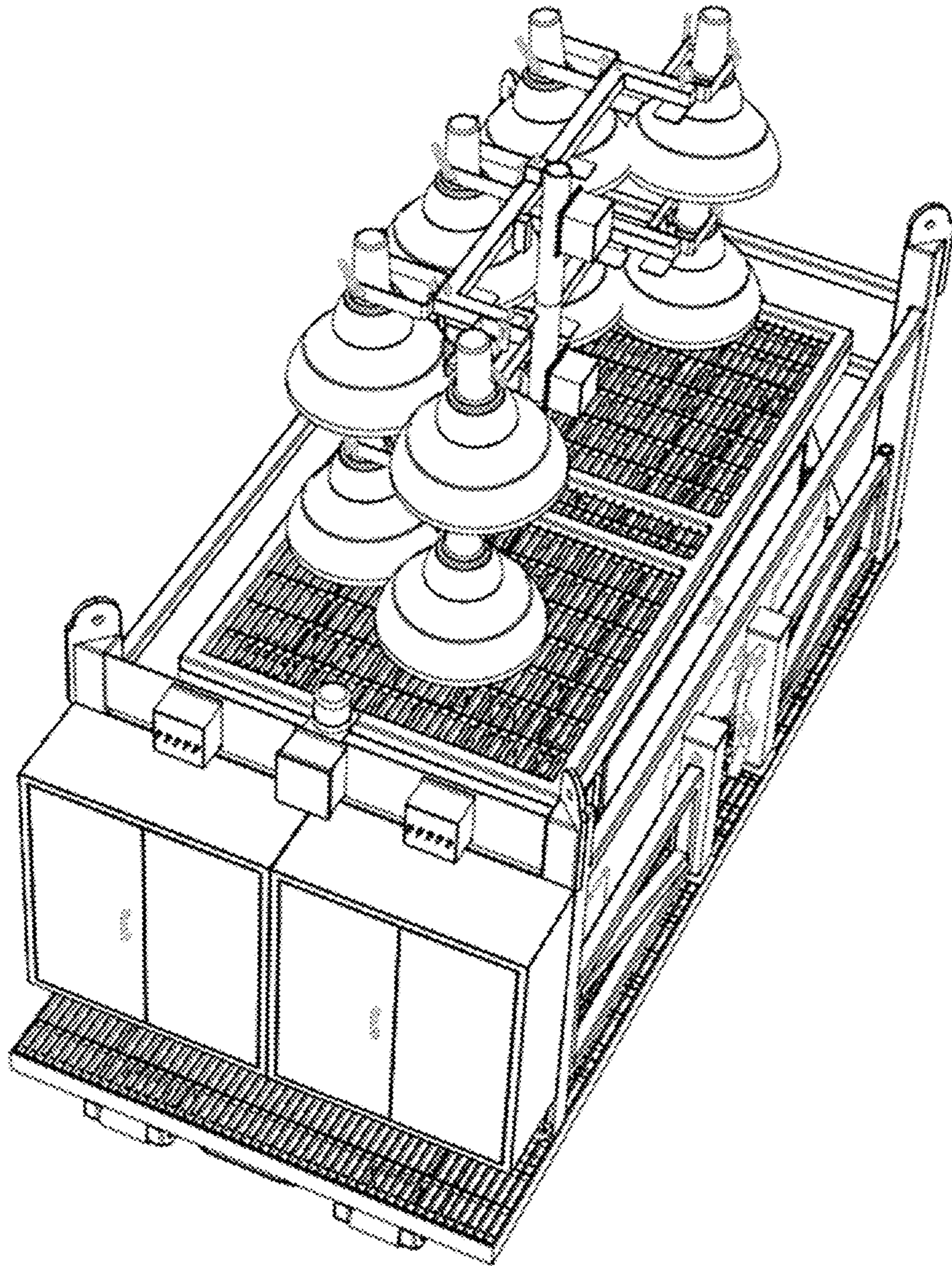


Figure 3

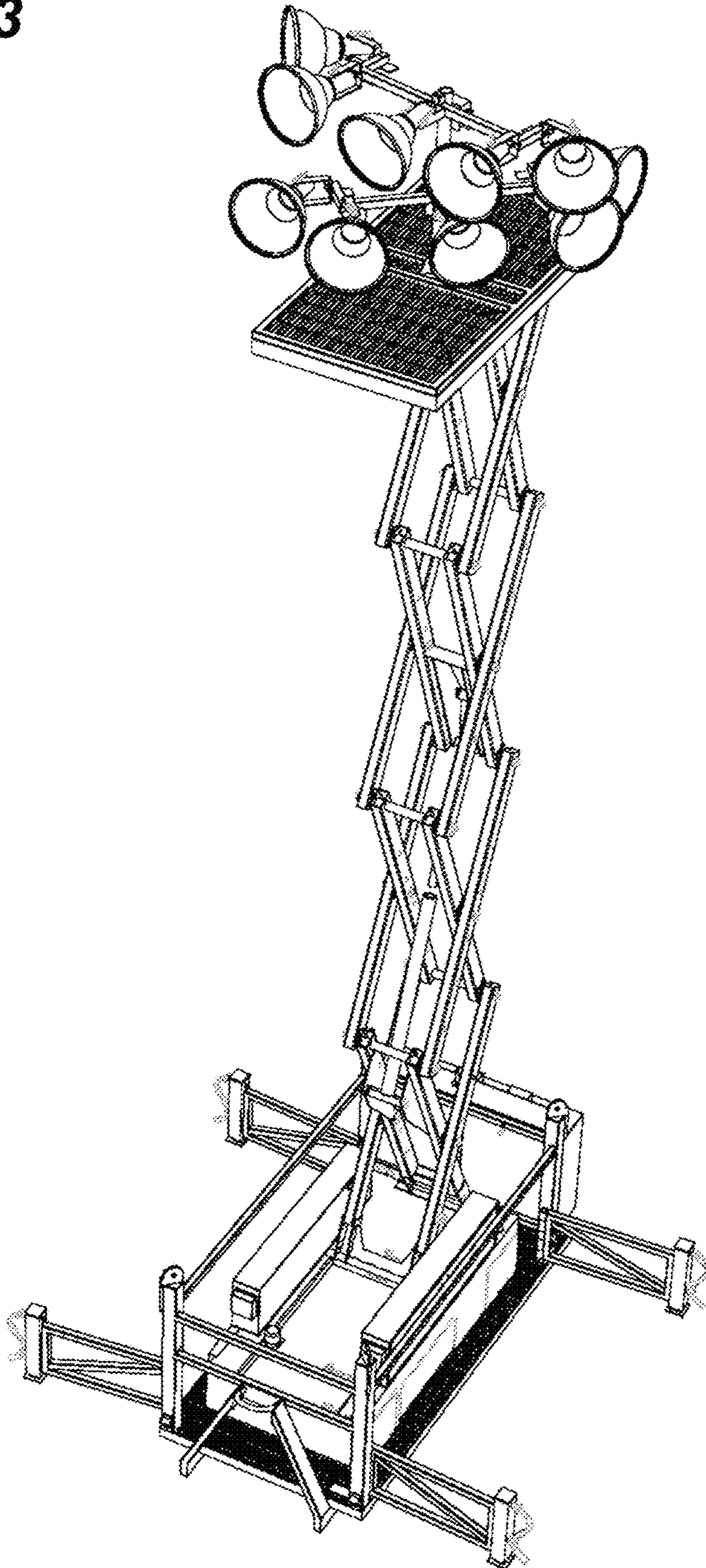


Figure 4

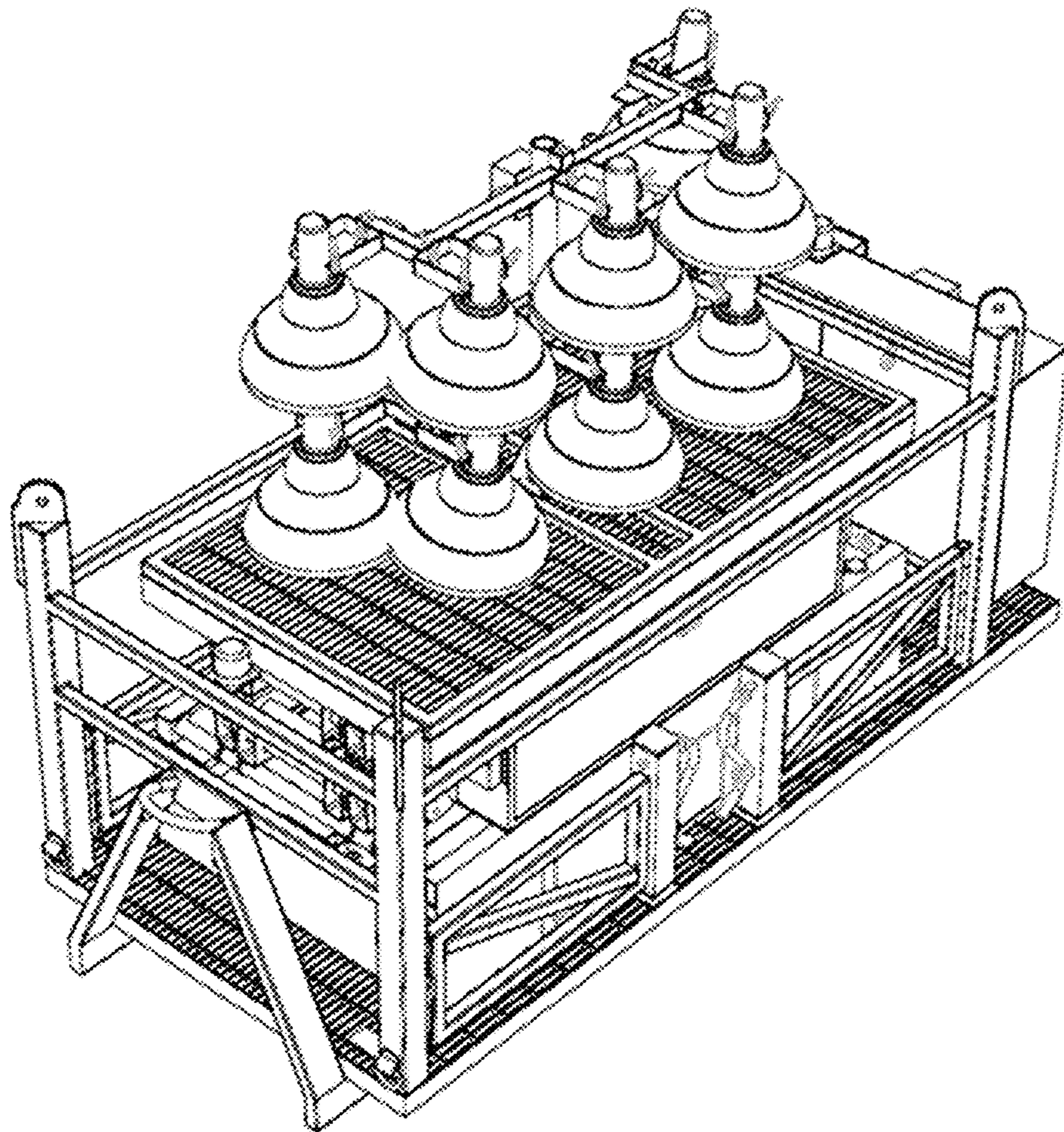


Figure 5

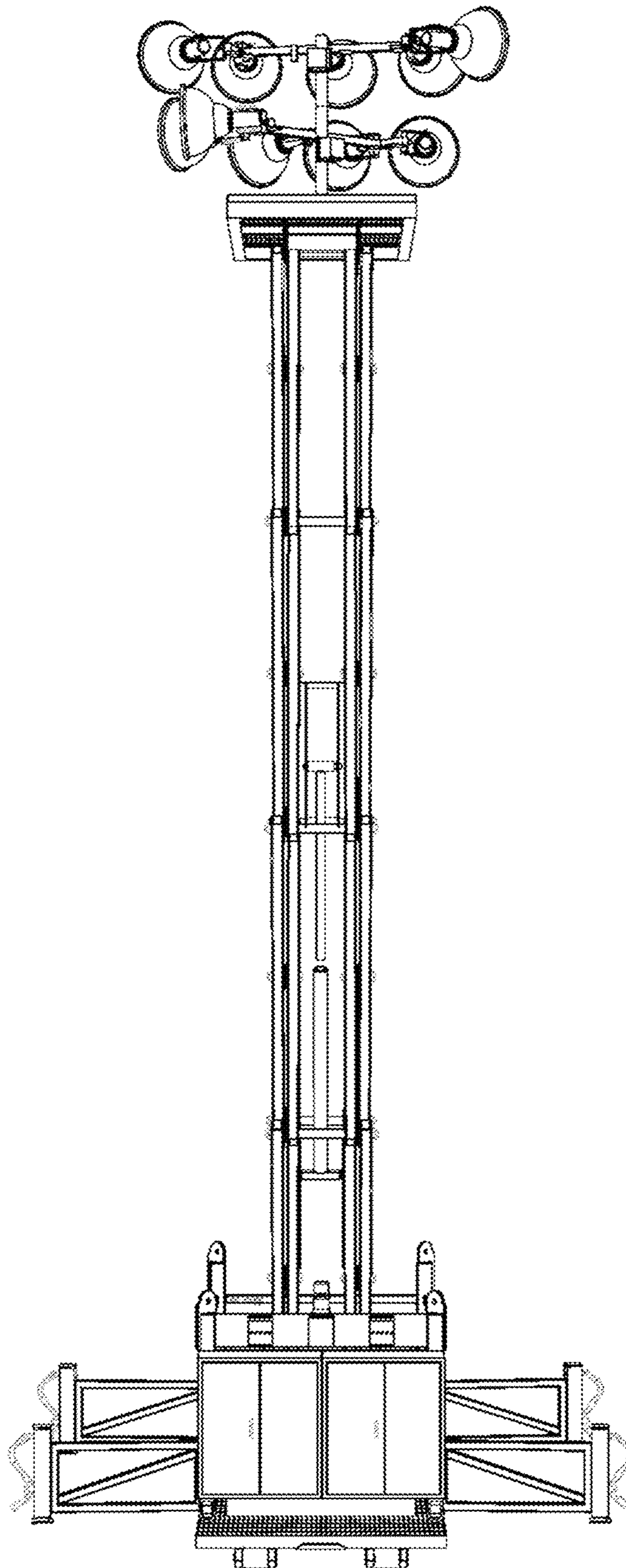


Figure 6

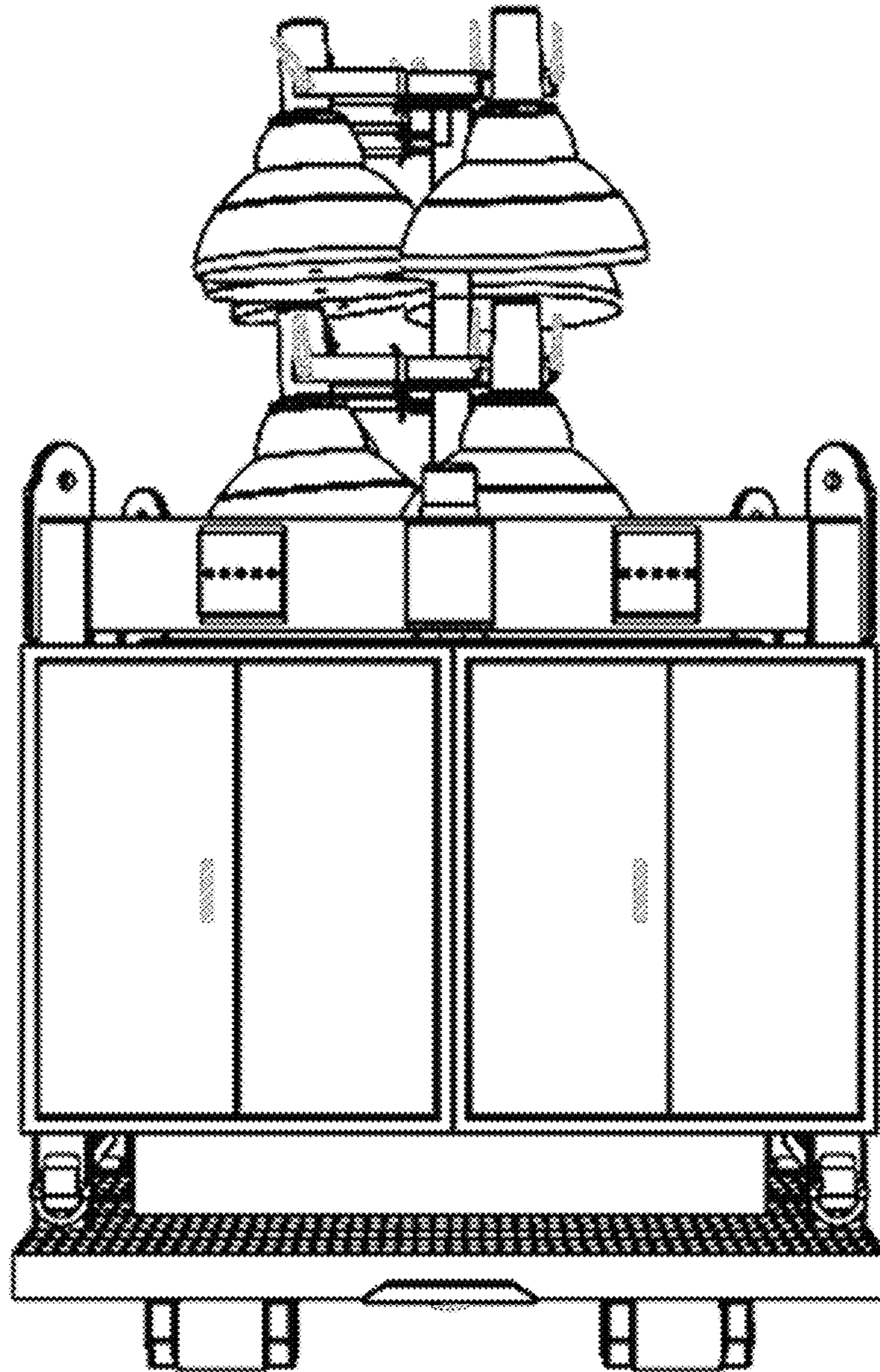


Figure 7

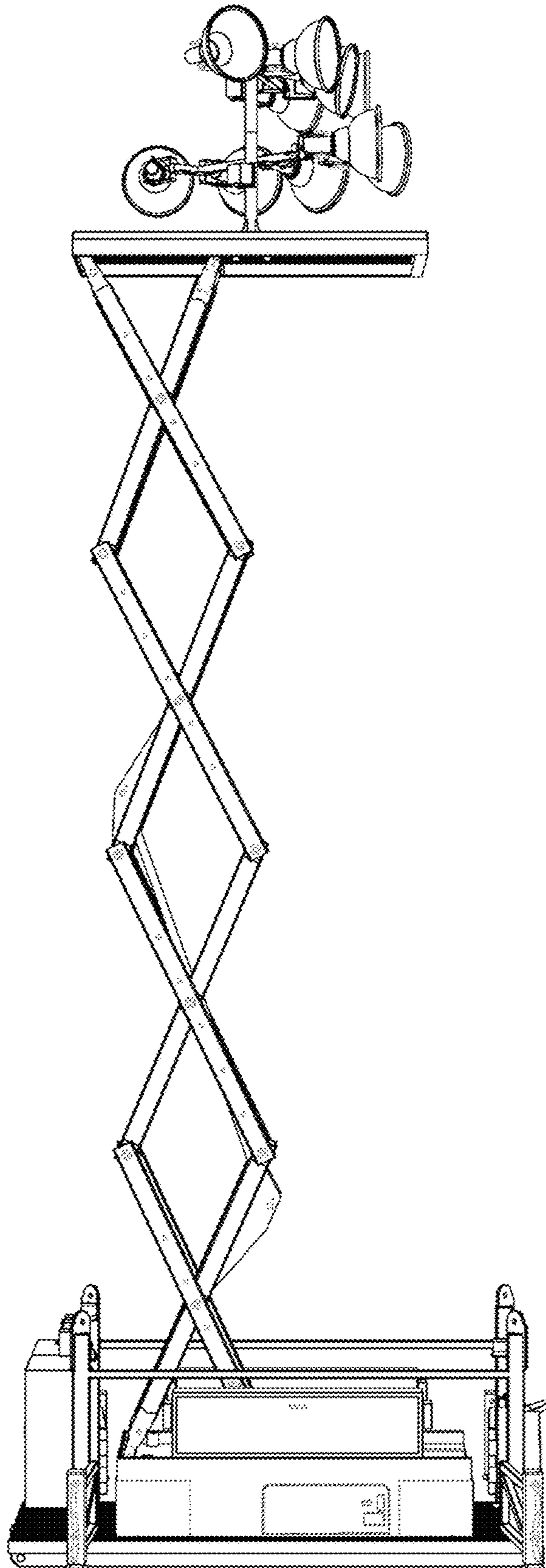


Figure 8

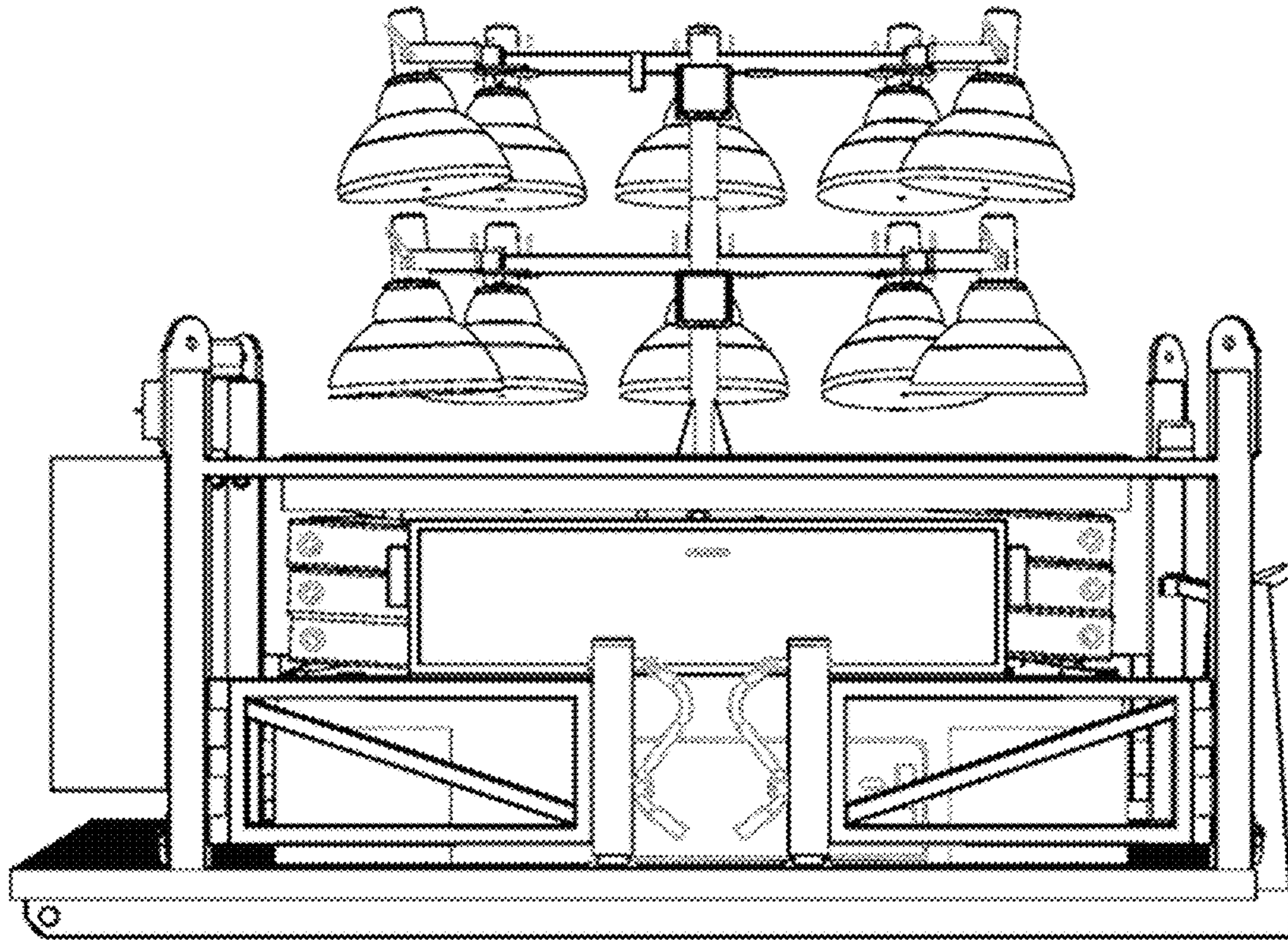


Figure 9

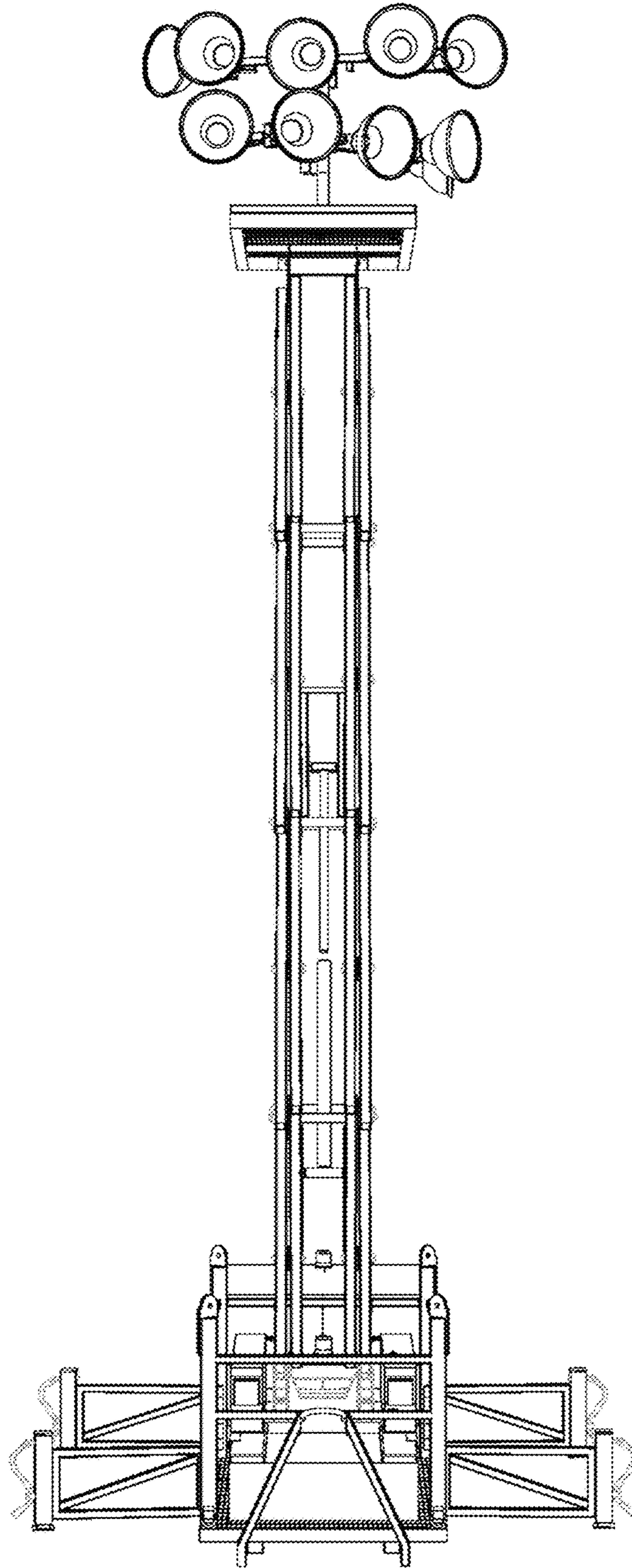


Figure 10

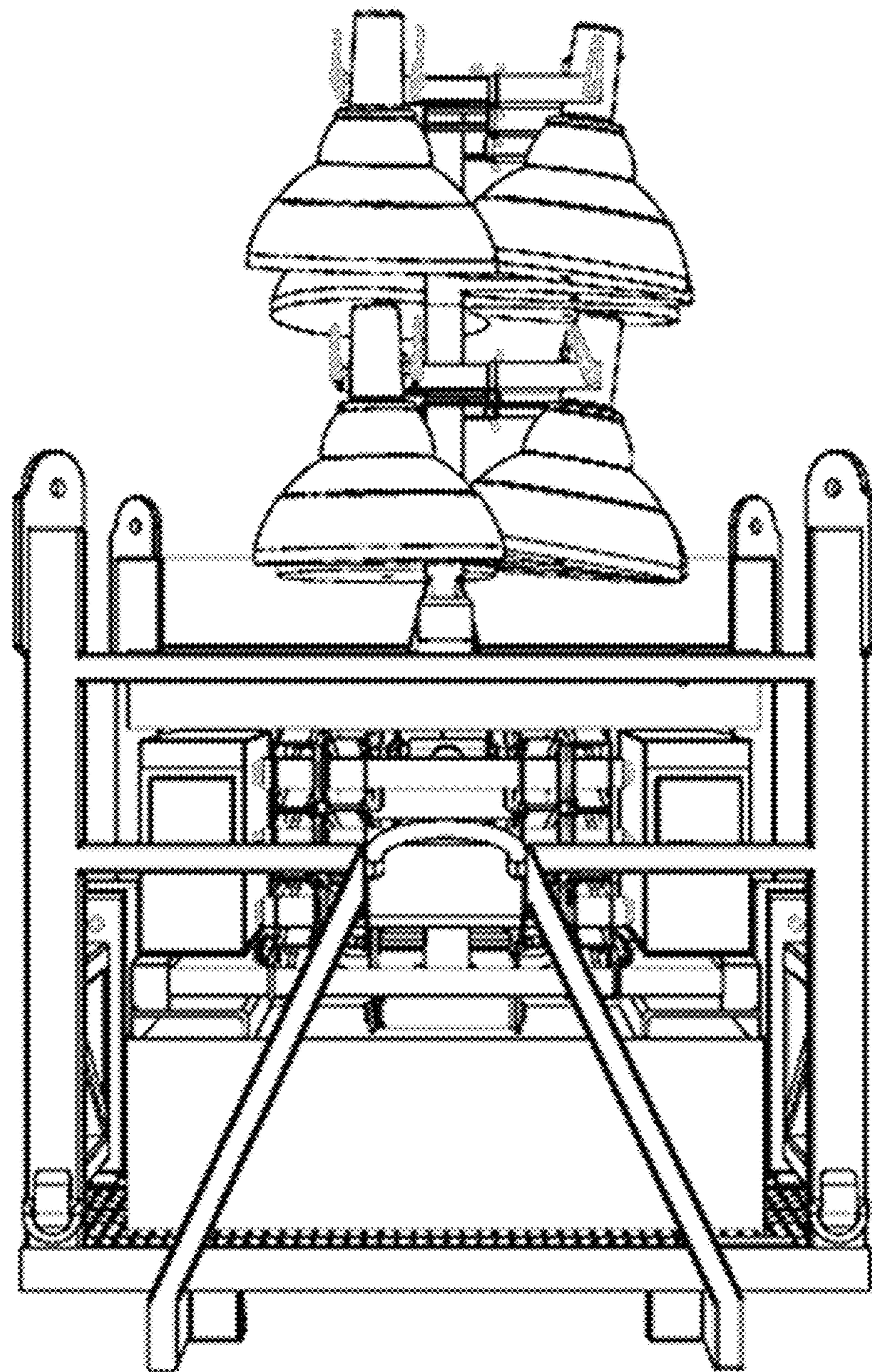


Figure 11

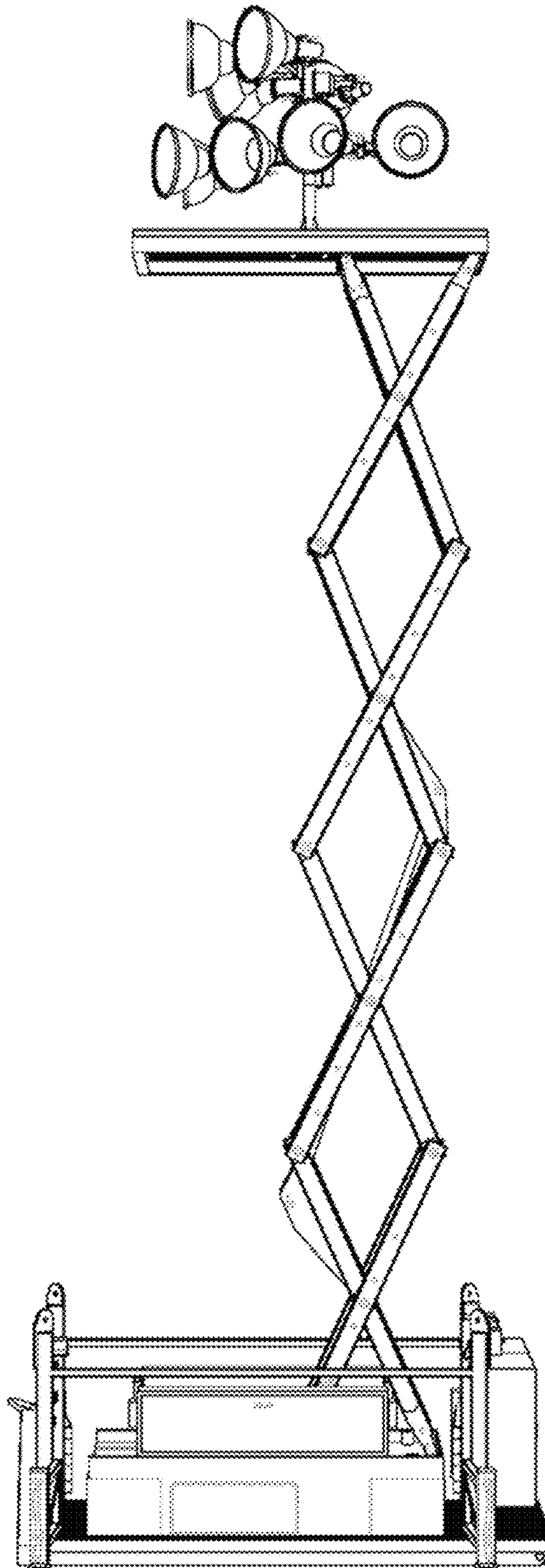


Figure 12

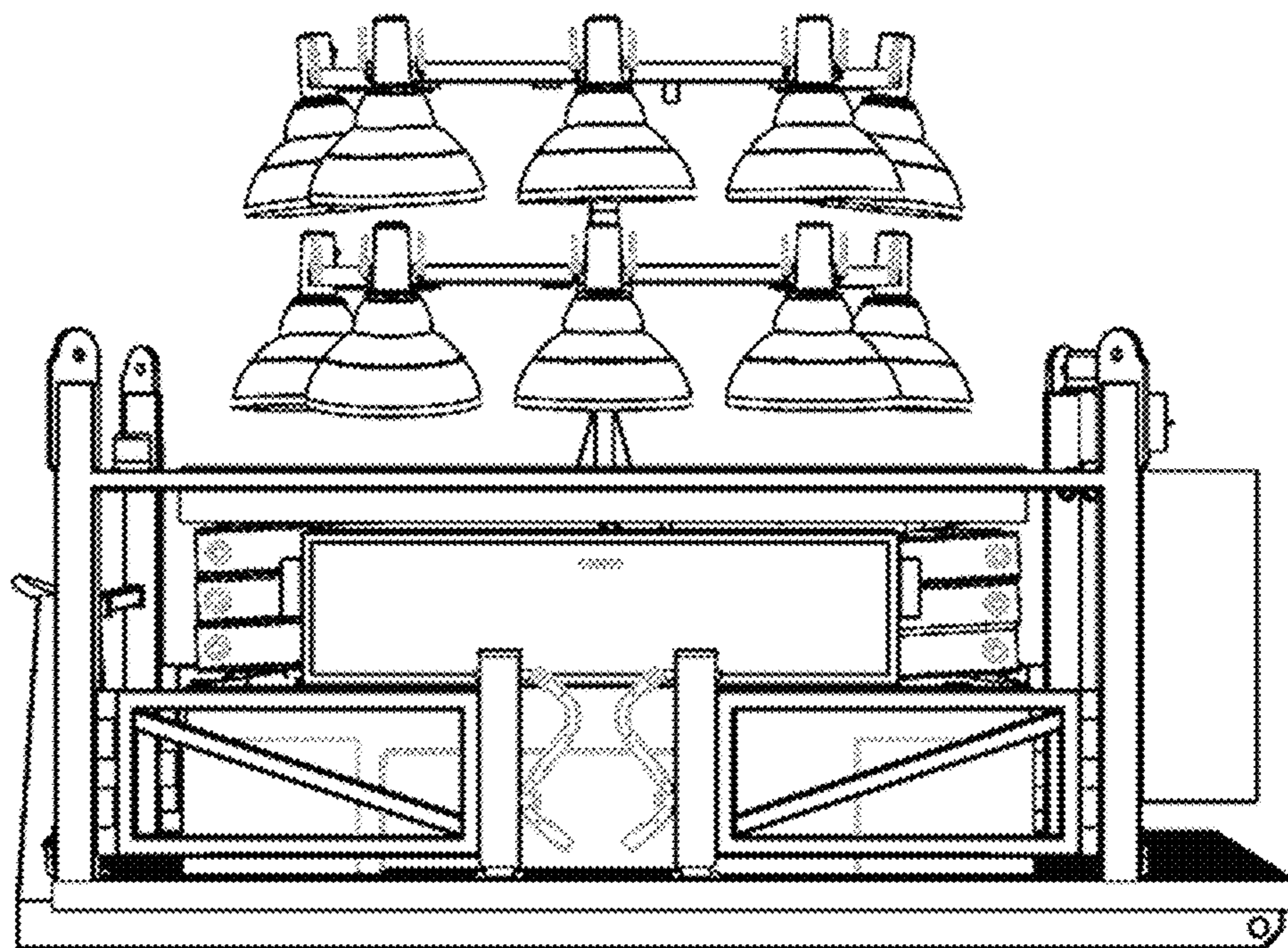


Figure 13

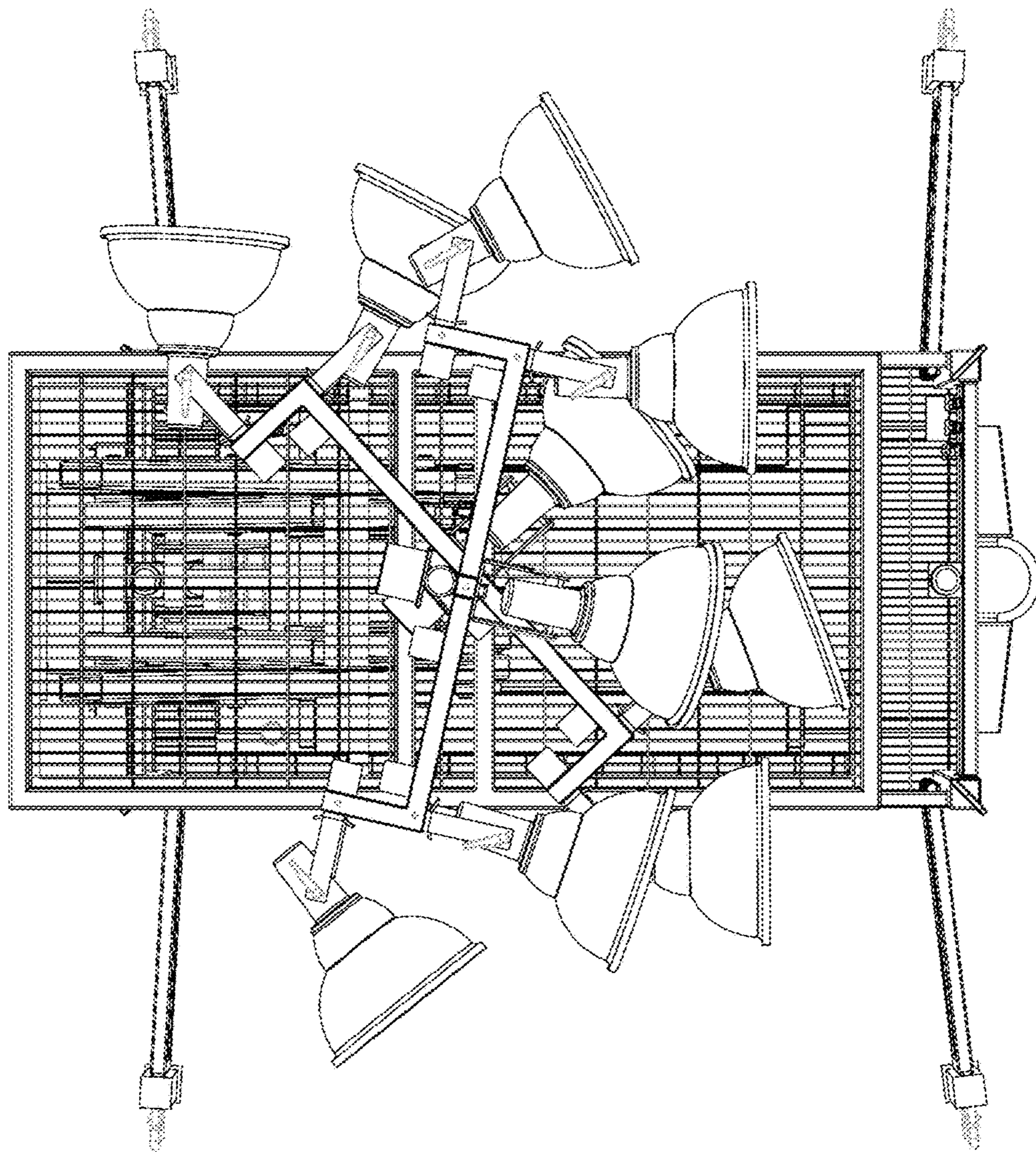


Figure 14

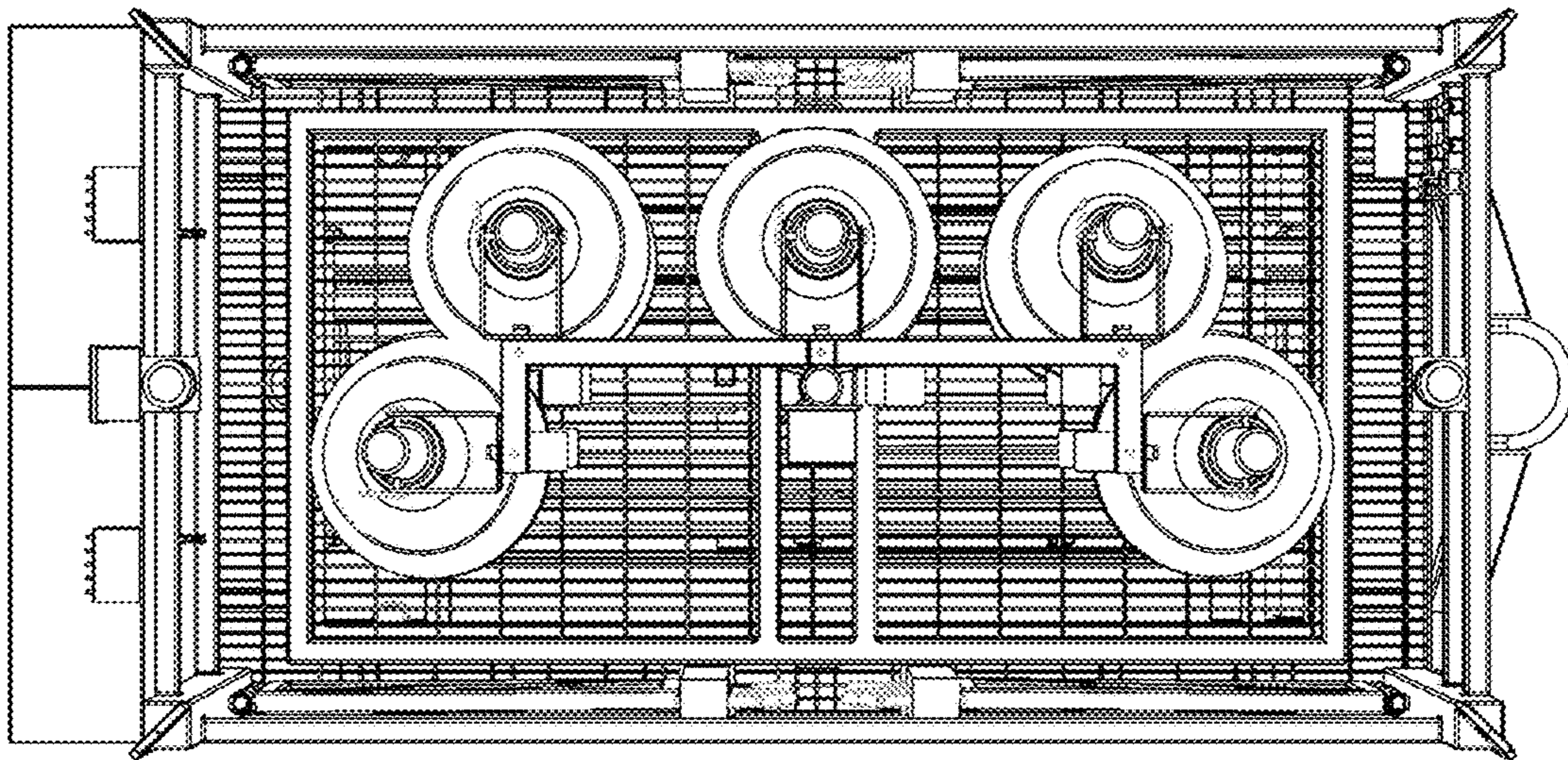


Figure 15

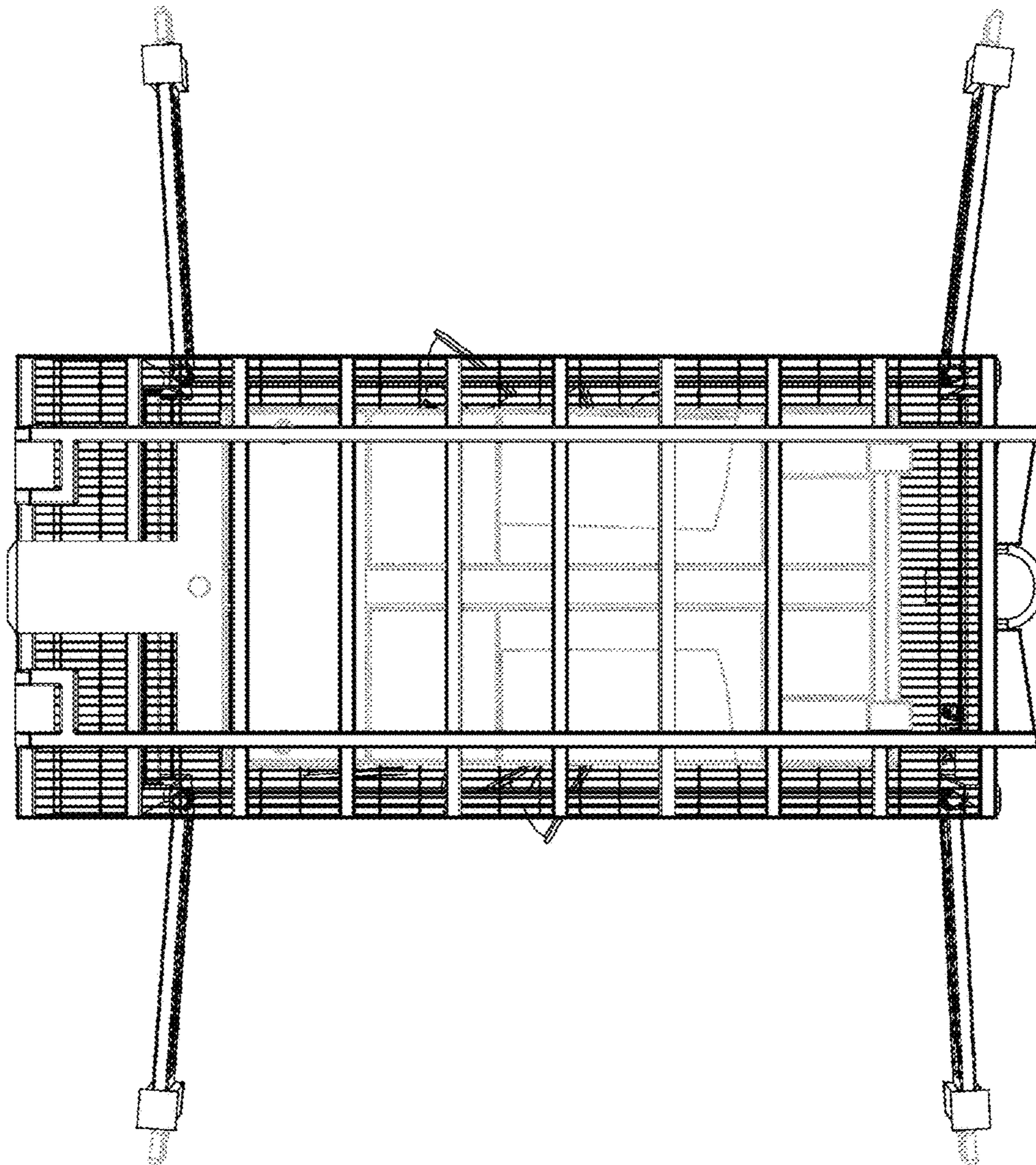


Figure 16

