



US00D797366S

(12) **United States Design Patent** (10) **Patent No.:** **US D797,366 S**
Deyaf et al. (45) **Date of Patent:** **** *Sep. 12, 2017**

(54) **LED OPTICAL LENS**

H05B 33/0842; C09K 11/02; B61Q 1/068; B61Q 1/0088; B60R 11/0217

(71) Applicant: **SpeedTech Lights Inc.**, Buda, TX (US)

See application file for complete search history.

(72) Inventors: **Malik Deyaf**, Buda, TX (US); **Mostafa Abdallah**, Buda, TX (US)

(56) **References Cited**

(73) Assignee: **SpeedTech Lights, Inc.**, Buda, TX (US)

U.S. PATENT DOCUMENTS

(*) Notice: This patent is subject to a terminal disclaimer.

753,134 A * 2/1904 Goehst F21V 7/22 362/237
D247,756 S * 4/1978 Nagelkerke D24/210
D532,919 S * 11/2006 Handsaker D26/35
D563,012 S * 2/2008 Citterio D26/63

(Continued)

(**) Term: **15 Years**

OTHER PUBLICATIONS

(21) Appl. No.: **29/564,251**

“Optilux 6-LED Mini Light Bar” Mar. 4, 2014, tirerack.com, site visited May 2, 2017 <https://www.tirerack.com/lighting/detail.jsp?ID=1194>.*

(22) Filed: **May 11, 2016**

(51) **LOC (10) Cl.** **26-05**

(Continued)

(52) **U.S. Cl.**

USPC **D26/120**

(58) **Field of Classification Search**

USPC D26/20, 27, 28, 30, 31, 32, 25, 35, 36, D26/42, 46, 55, 63, 69, 70, 71, 74, 76, D26/72, 85, 113, 78, 80, 101, 110, 109, D26/118–120, 123, 124, 127, 133, 134, D26/139, 141, 303; D6/303; D7/416; D10/111–113, 115, 113.1; D11/144; D13/134, 158–178; D14/473, 230; D22/118; D24/210; D25/126–135

CPC F21Y 2115/10; F21Y 2107/20; F21V 5/04; F21V 5/007; F21V 5/045; F21V 7/0083; F21V 7/0091; F21V 7/09; F21V 7/10; F21V 7/0016; F21V 7/22; F21V 15/01; F21V 14/06; F21V 29/74; F21V 29/004; F21V 23/0471; F21S 48/215; F21S 48/115; F21S 48/155; F21S 48/2212; F21S 48/1394; F21S 48/1154; F21S 4/26; F21S 2/00; F21S 8/00; F21K 9/00; F21K 9/233; G02B 19/0061; G02B 27/0955; G02B 27/095; G02B 27/0983; G03B 15/02; H05K 1/0203; H05K 2201/10106;

Primary Examiner — Kevin Rudzinski
Assistant Examiner — Paul Bohannon

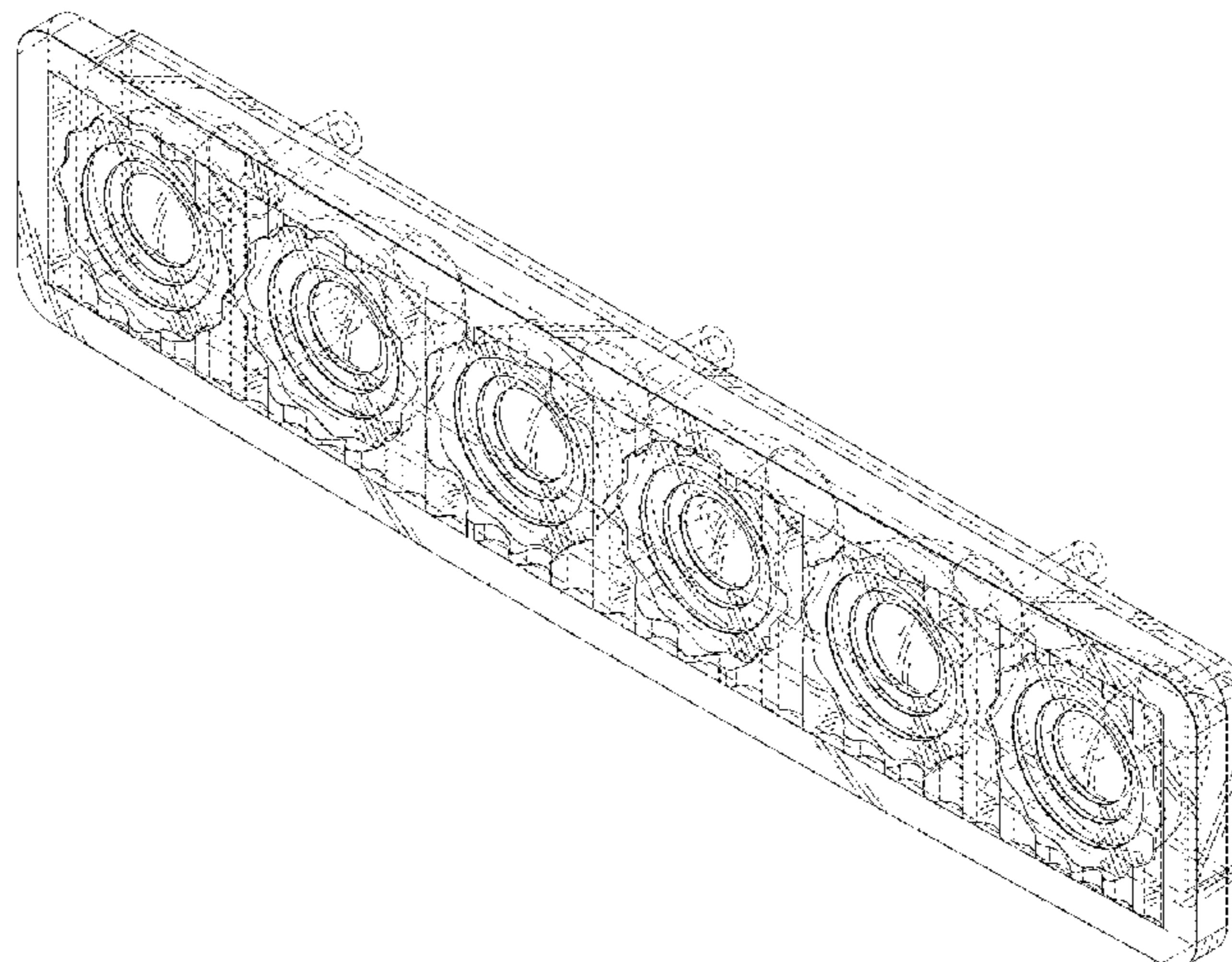
(57) **CLAIM**

The ornamental design for a LED optical lens, as shown and described.

DESCRIPTION

FIG. 1 is a perspective front view of a LED optical lens showing our new design;
FIG. 2 is a front view thereof;
FIG. 3 is a back view thereof;
FIG. 4 is a right side view thereof;
FIG. 5 is a left side view thereof;
FIG. 6 is a top plan view thereof;
FIG. 7 is a bottom plan view; and,
FIG. 8 is a perspective back view thereof.
The broken line portions in FIGS. 1-8 are included to show unclaimed subject matter only and form no part of the claimed design.

1 Claim, 5 Drawing Sheets



(56)

References Cited

U.S. PATENT DOCUMENTS

7,465,070 B2 * 12/2008 Engel F21S 2/00
362/147
D699,880 S * 2/2014 Szoke D26/74
D766,499 S * 9/2016 Packard D26/139
2004/0042203 A1 * 3/2004 Ladstatter F21V 7/0016
362/147
2009/0080209 A1 * 3/2009 Hu F21S 48/1394
362/518
2013/0051034 A1 * 2/2013 Hashimoto F21V 29/004
362/373
2013/0051059 A1 * 2/2013 Abai B60Q 1/068
362/523
2015/0217679 A1 * 8/2015 Paine B60Q 1/0088
362/517
2016/0131330 A1 * 5/2016 Jiang F21K 9/233
362/235

OTHER PUBLICATIONS

“Rigid SR-Series 6” LED Light Bar” Dec. 2, 2011, trailduty.com, site visited May 3, 2017 https://www.trailduty.com/product_info.php?products_id=1544>.*

“18W LED Bar” Nov. 18, 2015, olx.pt, site visited May 3, 2017 <<https://www.olx.pt/anuncio/barra-led-18w-1DxSEKw.html>>.*

“18” Red/White LED Off Road Light Bar—24W— 2,750 Lumens” May 14, 2013, superbrightleds.com, site visited May 3, 2017 <<https://www.superbrightleds.com/cat/off-road-lights/page/1/>>.*

* cited by examiner

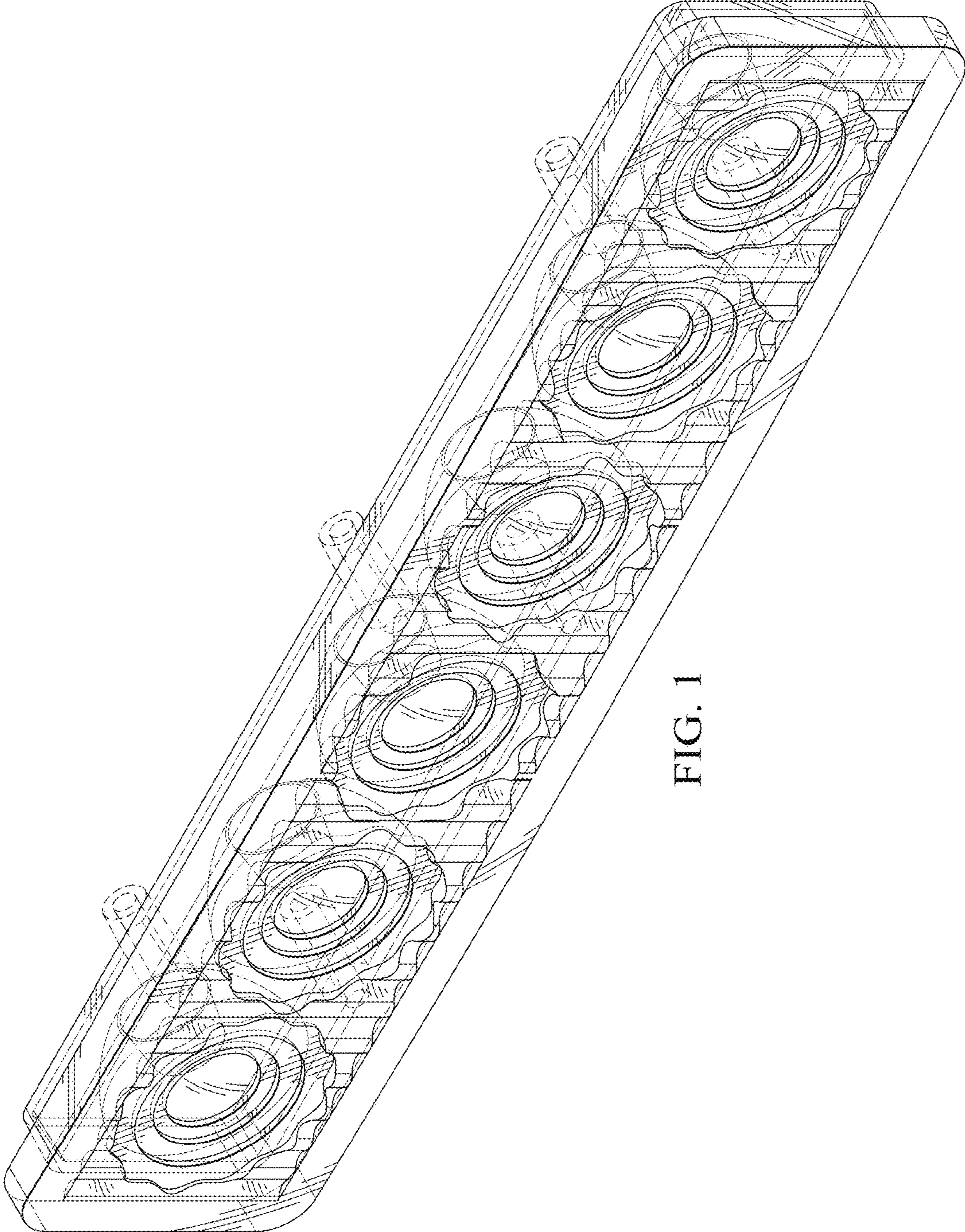


FIG. 1

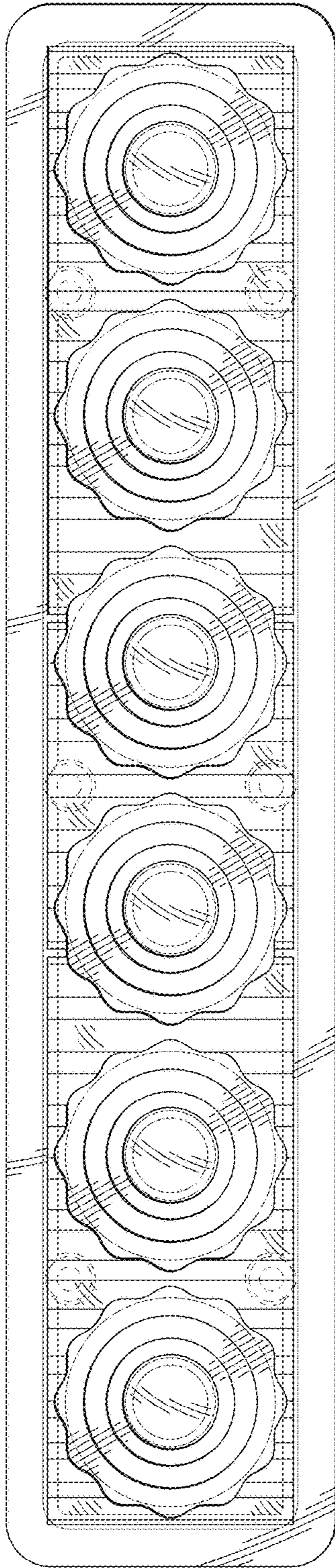


FIG. 2

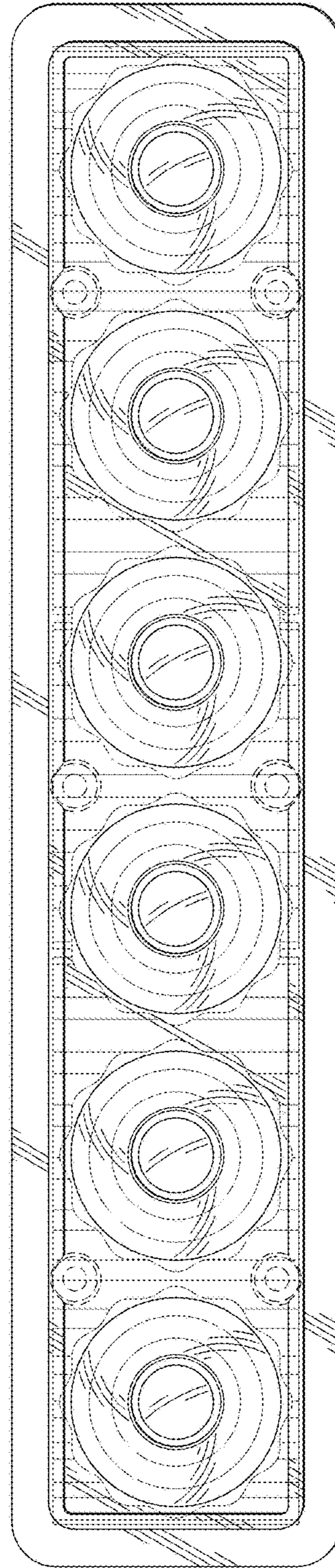


FIG. 3

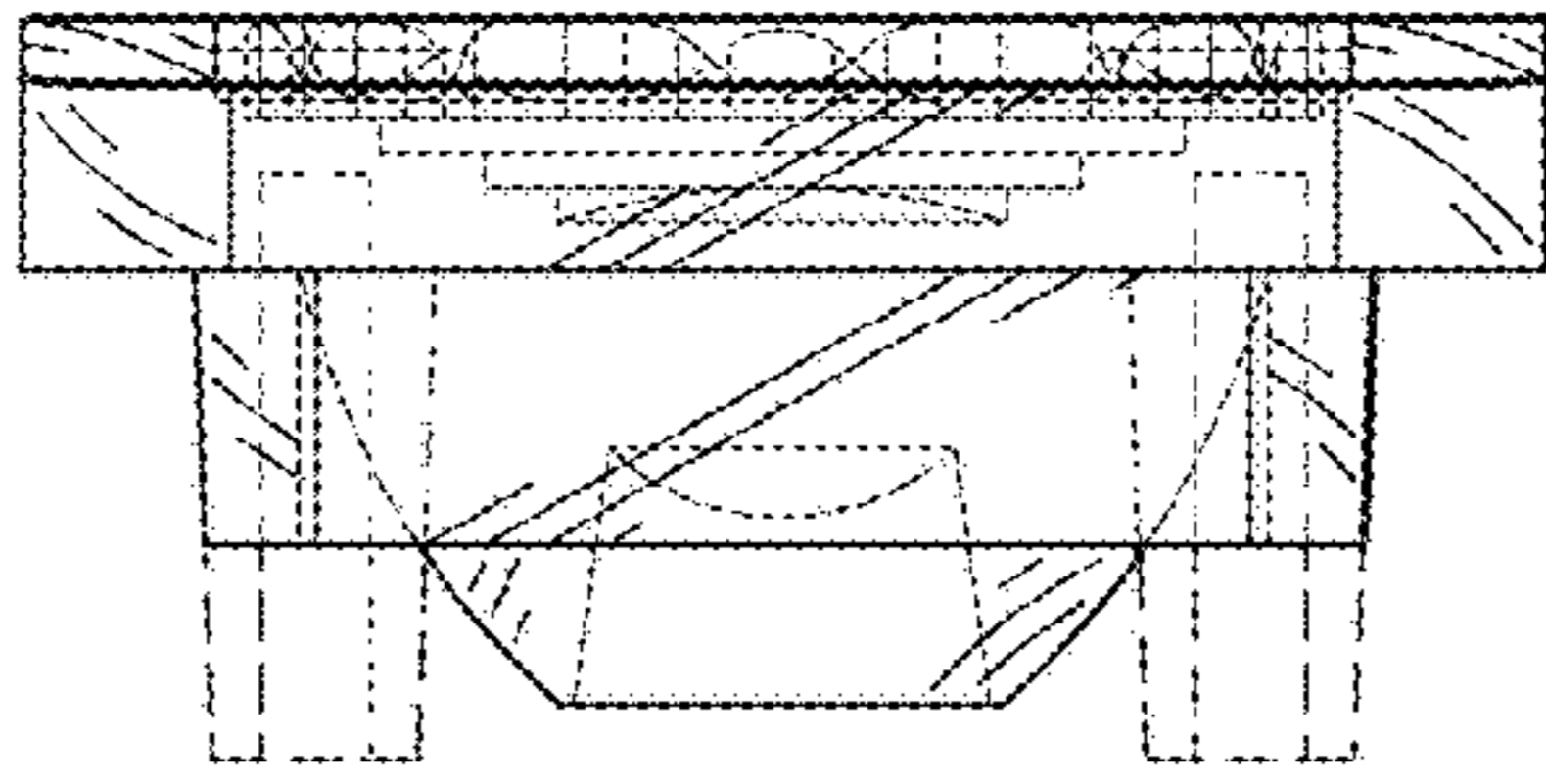


FIG. 5

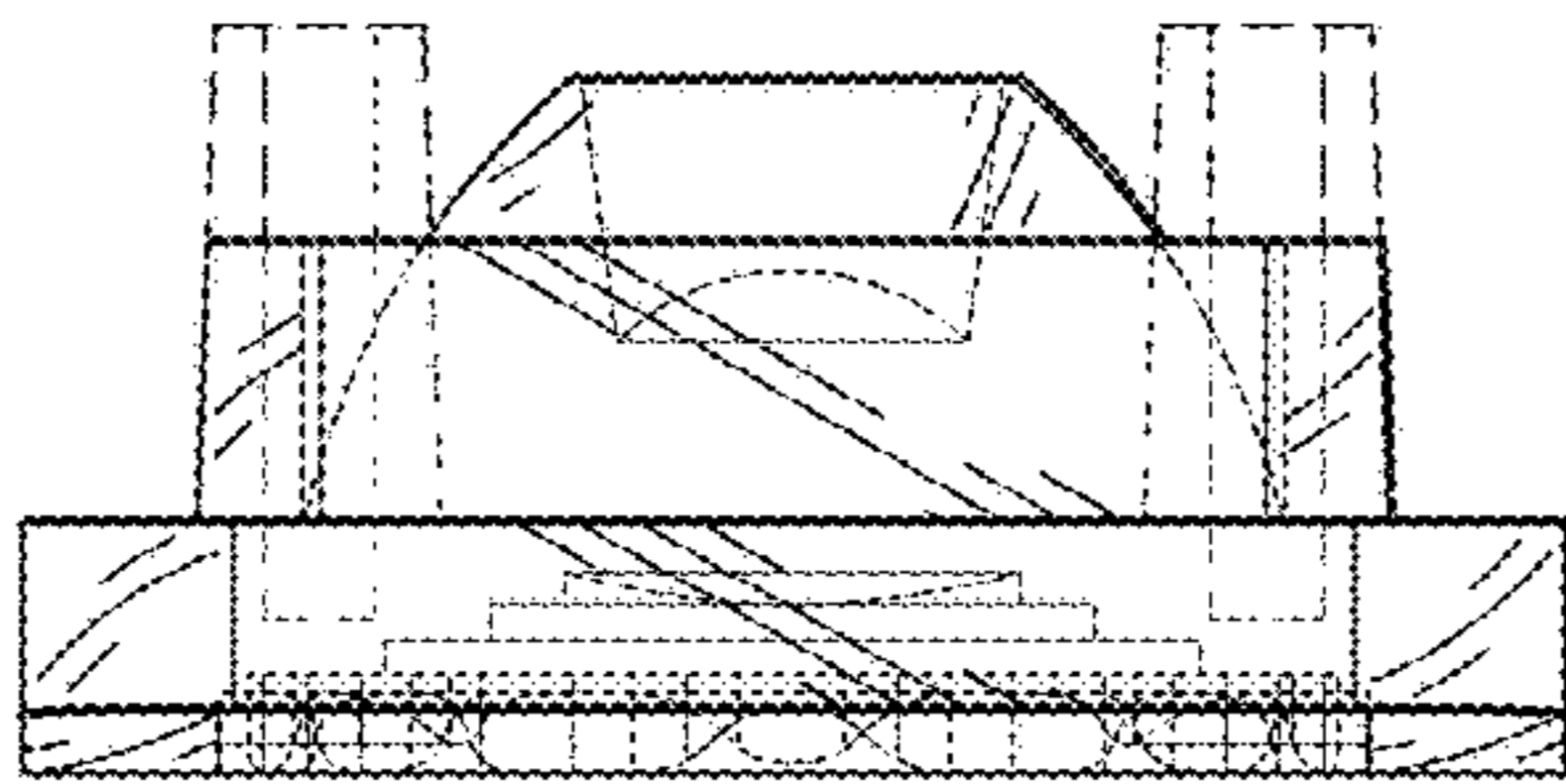


FIG. 4

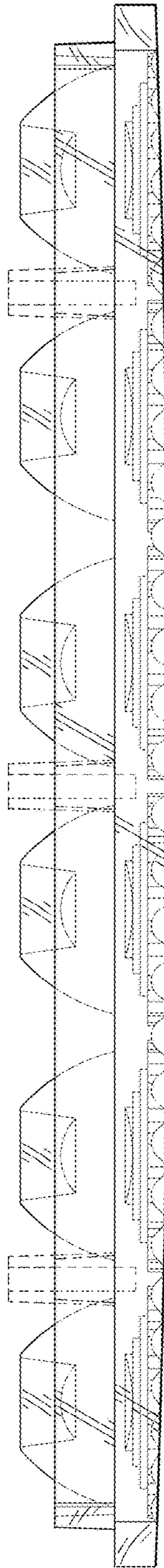


FIG. 6

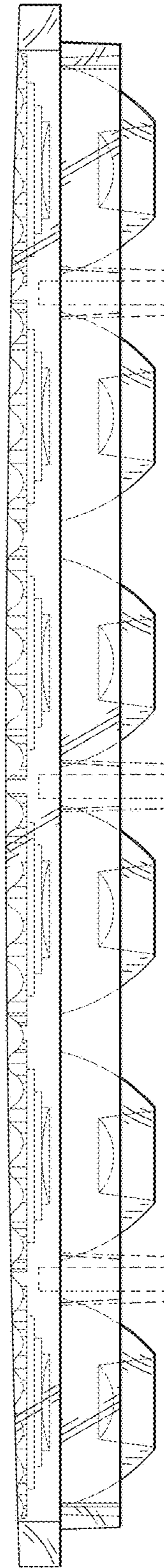


FIG. 7

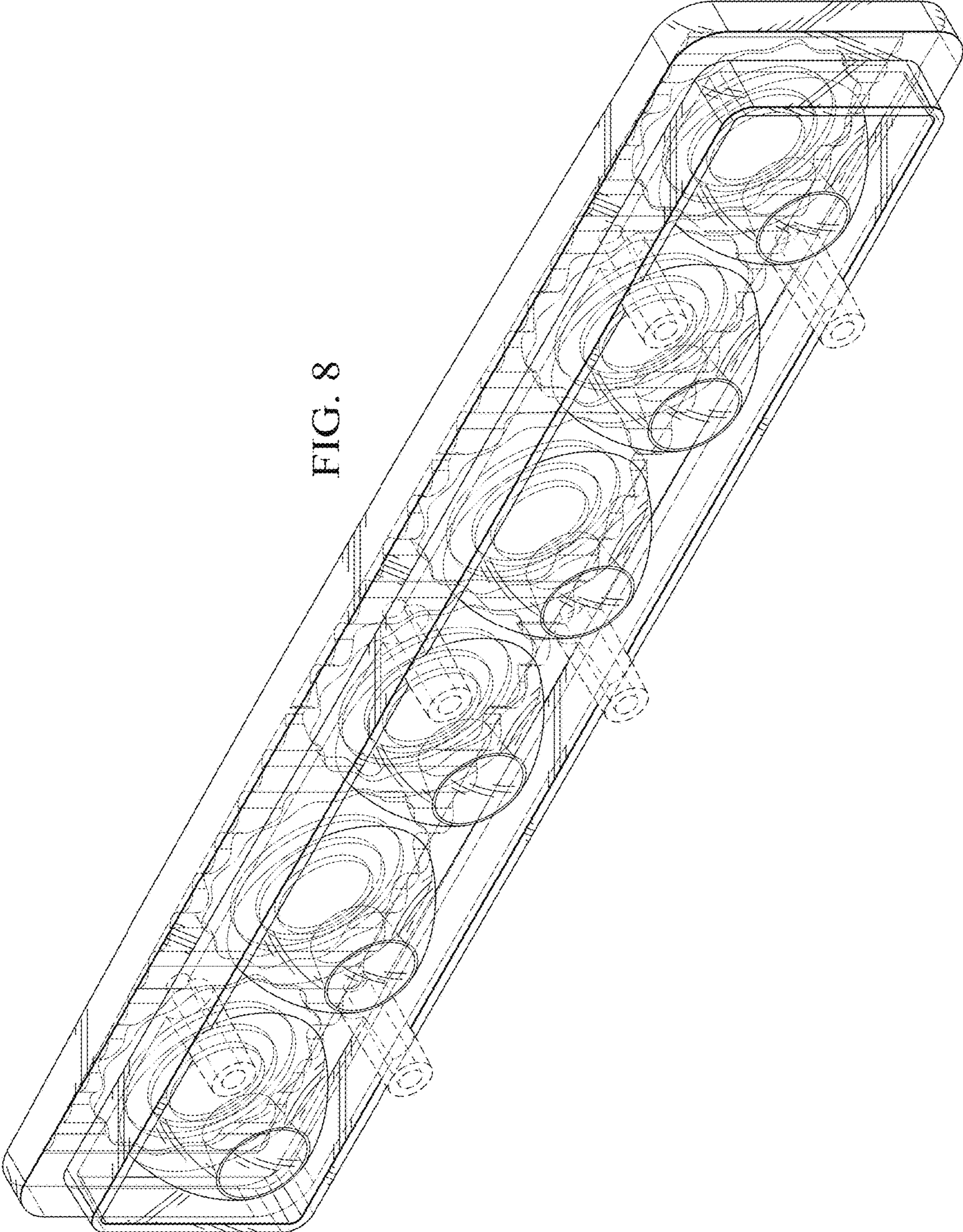


FIG. 8