



US00D797365S

(12) **United States Design Patent** (10) **Patent No.:** **US D797,365 S**
Deyaf et al. (45) **Date of Patent:** **** *Sep. 12, 2017**

(54) **LED OPTICAL LENS**
(71) Applicant: **SpeedTech Lights Inc.**, Buda, TX (US)
(72) Inventors: **Malik Deyaf**, Buda, TX (US); **Mostafa Abdallah**, Buda, TX (US)
(73) Assignee: **SpeedTech Lights, Inc.**, Buda, TX (US)
(*) Notice: This patent is subject to a terminal disclaimer.
(**) Term: **15 Years**
(21) Appl. No.: **29/564,248**
(22) Filed: **May 11, 2016**
(51) **LOC (10) Cl.** **26-05**
(52) **U.S. Cl.**
USPC **D26/120**
(58) **Field of Classification Search**
USPC D26/20, 27, 28, 30, 31, 32, 25, 35, 36, D26/42, 46, 55, 63, 69, 70, 71, 74, 76, D26/72, 85, 113, 78, 80, 101, 110, 109, D26/118-124, 127, 133, 134, 139, 141, D26/210, 303; D6/303; D7/416, 554.2; D10/111-113, 115, 113.1, 114.1; D11/144; D13/134, 158-178, 180; D14/473, 230; D22/118; D24/210; D25/126-135
CPC F21Y 2115/10; F21Y 2107/20; F21V 5/04; F21V 5/007; F21V 5/045; F21V 7/0083; F21V 7/0091; F21V 7/09; F21V 7/10; F21V 7/0016; F21V 7/22; F21V 15/01; F21V 14/06; F21V 29/74; F21V 29/004; F21V 23/0471; F21S 48/24; F21S 48/215; F21S 48/115; F21S 48/155; F21S 48/2212; F21S 48/1394; F21S 48/1154; F21S 4/26; F21S 2/00; F21S 8/00; F21K 9/00; F21K 9/233; G02B 19/0061; G02B 27/0955; G02B 27/095; G02B 27/0983; G03B 15/02; H05K 1/0203; H05K 2201/10106; H05B 33/0842; H01L

33/486; C09K 11/02; B61Q 1/068; B61Q 1/0088; B60R 11/0217

See application file for complete search history.

(56) **References Cited**

U.S. PATENT DOCUMENTS

D493,565 S * 7/2004 Smith D26/118
D562,272 S * 2/2008 Su D13/180
7,445,354 B2 * 11/2008 Aoki H01L 33/486
257/100
D618,572 S * 6/2010 Shin D10/114.1

(Continued)

OTHER PUBLICATIONS

“PIAA RF18 LED Light” Apr. 19, 2014, 4wheelonline.com, site visited May 4, 2017 <<http://4wheelonline.com/piaa-rf18-led-light.244507.0>>.*

(Continued)

Primary Examiner — Kevin Rudzinski
Assistant Examiner — Paul Bohannon

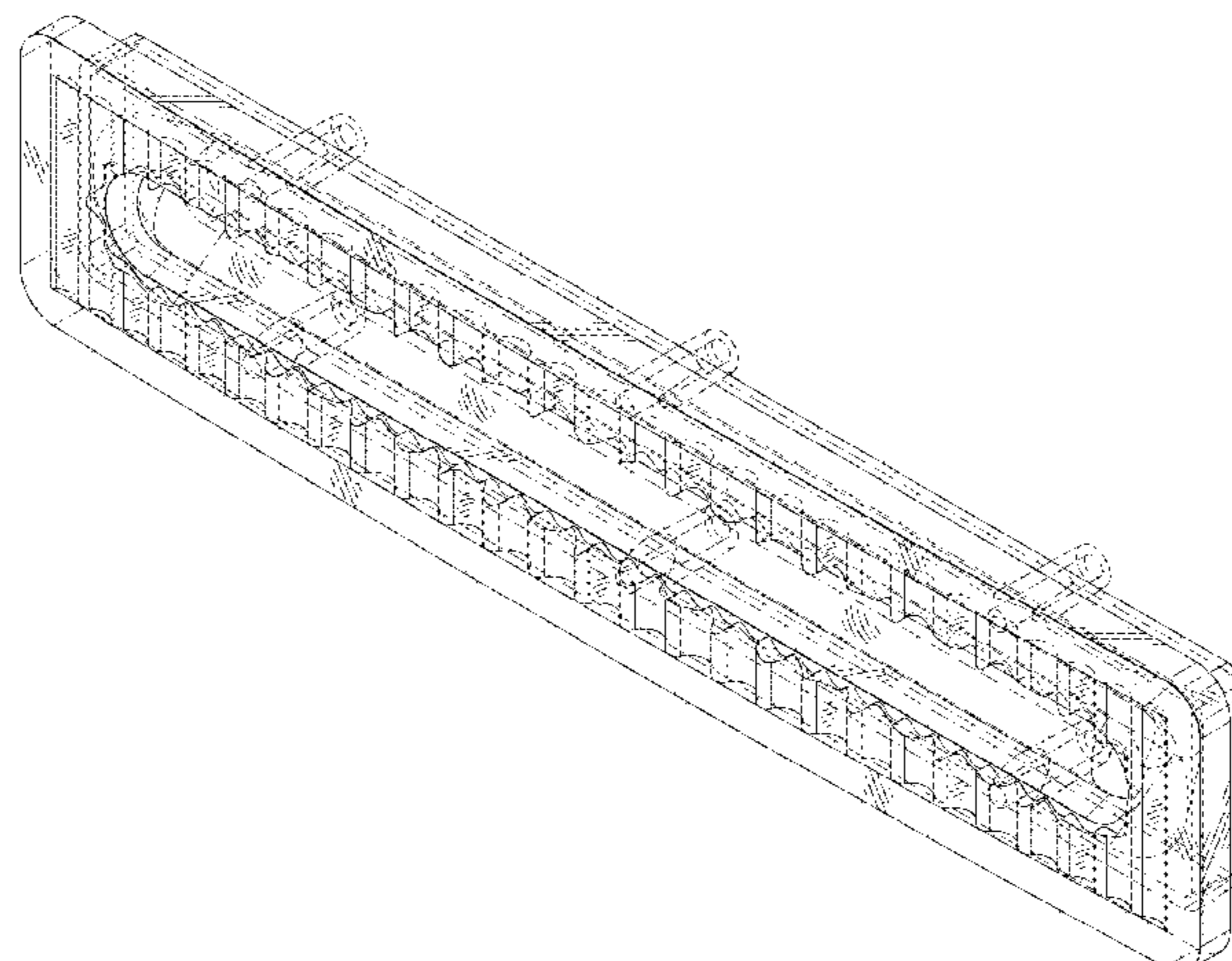
(57) **CLAIM**

The ornamental design for a LED optical lens, as shown and described.

DESCRIPTION

FIG. 1 is a perspective front view of a LED optical lens showing our new design;
FIG. 2 is a front view thereof;
FIG. 3 is a back view thereof;
FIG. 4 is a right side view thereof;
FIG. 5 is a left side view thereof;
FIG. 6 is a top plan view thereof;
FIG. 7 is a bottom plan view; and,
FIG. 8 is a perspective back view thereof.
The broken line portions in FIGS. 1-8 are included to show unclaimed subject matter only and form no part of the claimed design.

1 Claim, 5 Drawing Sheets



(56)

References Cited

U.S. PATENT DOCUMENTS

D627,672 S * 11/2010 Shin D10/114.1
D645,424 S * 9/2011 Lee D13/180
D650,507 S * 12/2011 Osiecki D26/72
D681,866 S * 5/2013 Lin D26/120
D756,022 S * 5/2016 Shipman D26/113
D756,028 S * 5/2016 Shipman D26/113
D771,304 S * 11/2016 Goltche D26/120
D775,407 S * 12/2016 Datz D26/122
2017/0009952 A1* 1/2017 Tai F21S 48/24

OTHER PUBLICATIONS

“PIAA 07610 LED Driving Light Bar Kit” Feb. 12, 2014, amazon.com, site visited May 4, 2017 <<https://www.amazon.com/PIAA-07610-LED-Driving-Light/dp/B00JTXMF9S>>.*

“Vision X Xmitter Single Stack 9-42 Volt LED Lightbar—Clear, Rectangle, 3in. X 6in., 1,440 Lumens, Model #XIL-80” Jul. 20, 2009, northerntool.com, site visited May 4, 2017 <http://www.northerntool.com/shop/tools/product_200390435_200390435>.*

“36-43 Inch 129 LED Aquarium Lighting Fish Tank Light Fixture” May 22, 2014, thelashop.com, site visited May 2, 2017 <<https://www.thelashop.com/36-43-inch-129-led-aquarium-lighting-fish-tank-light-fixture.html>>.*

* cited by examiner

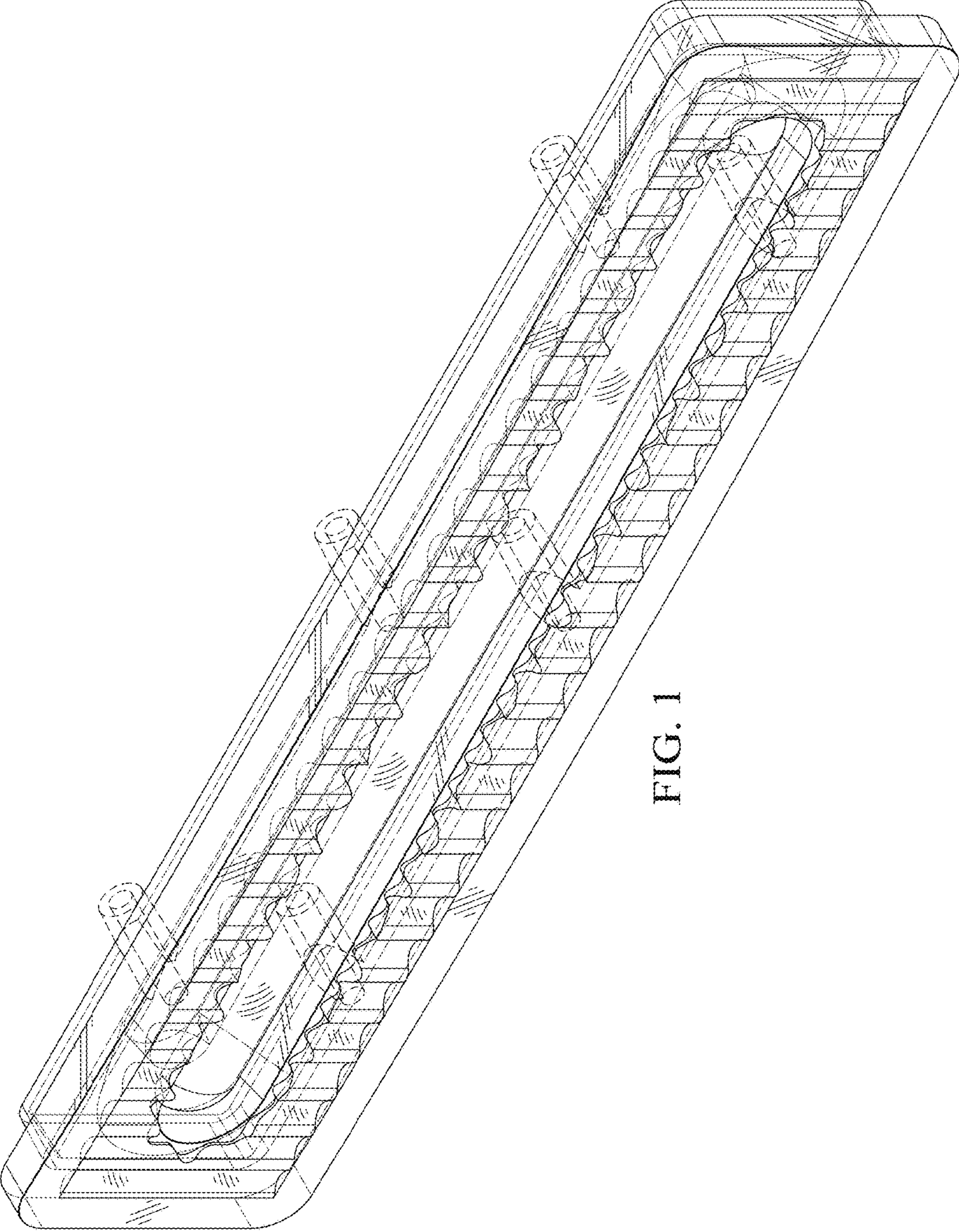


FIG. 1

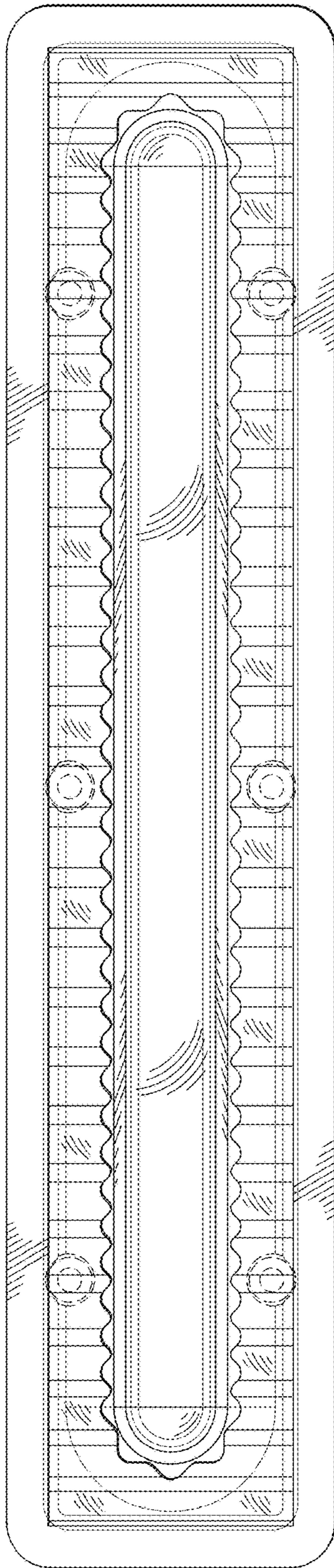


FIG. 2

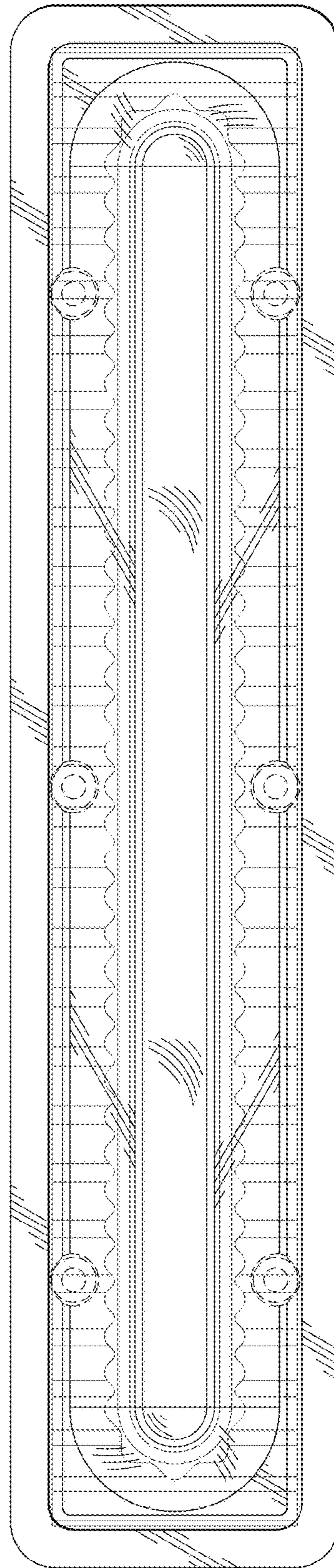


FIG. 3

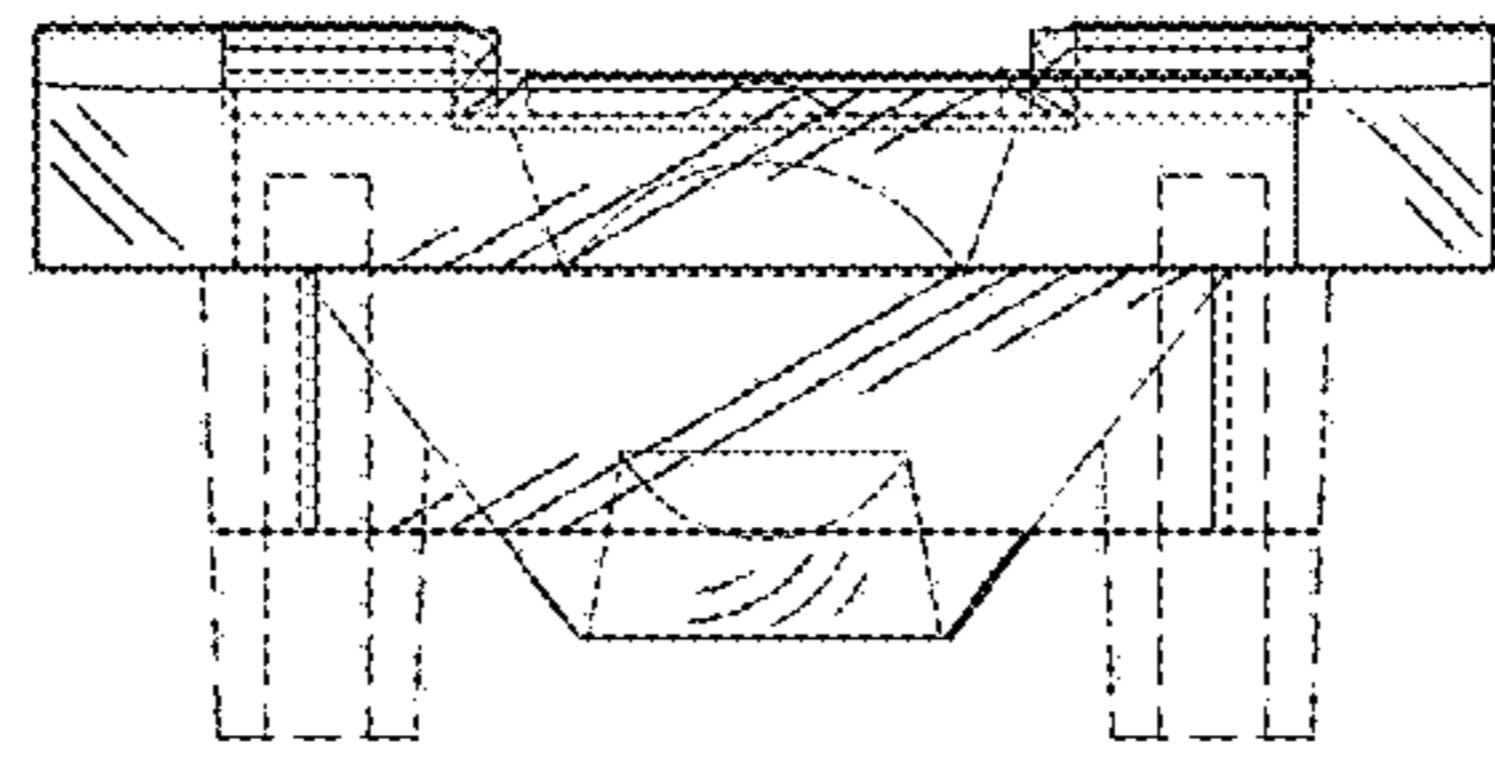


FIG. 5

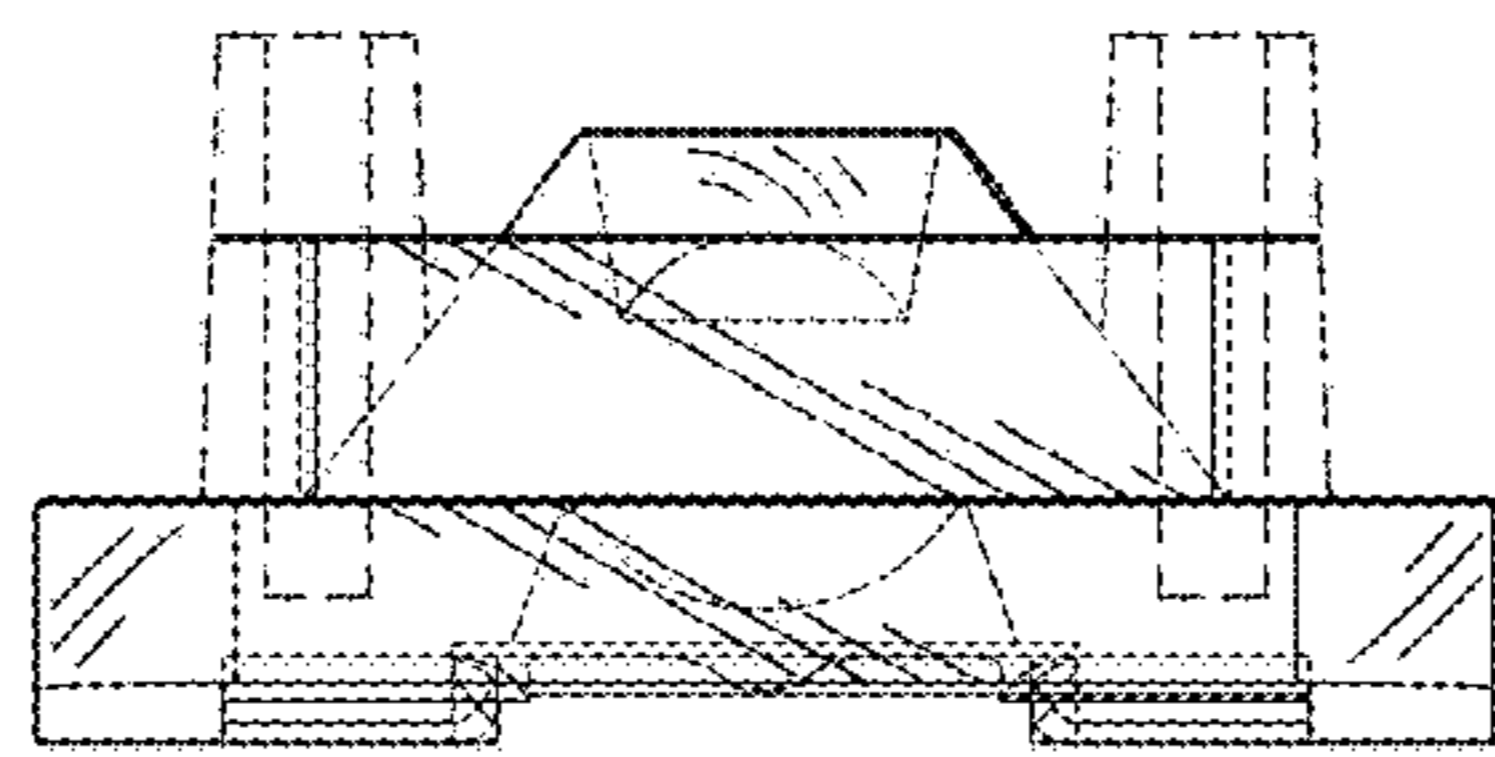


FIG. 4

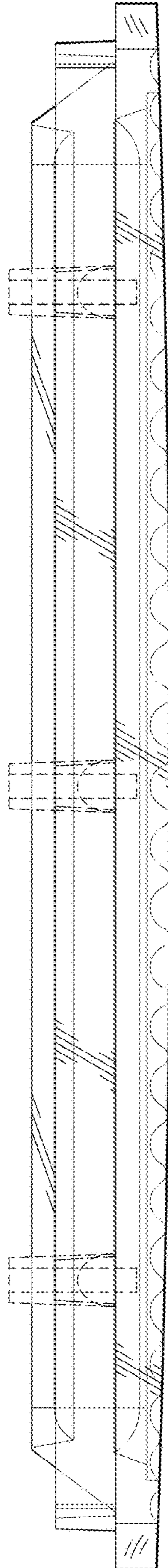


FIG. 6

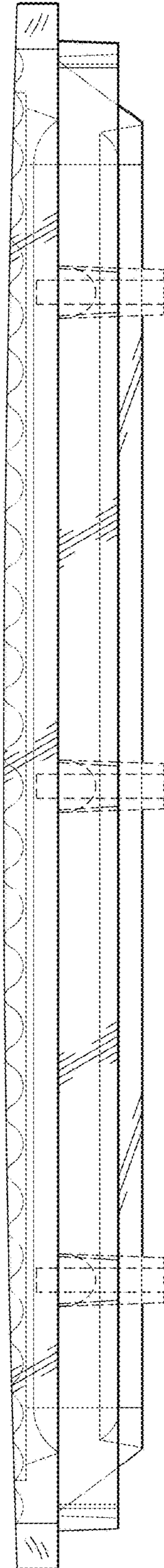


FIG. 7

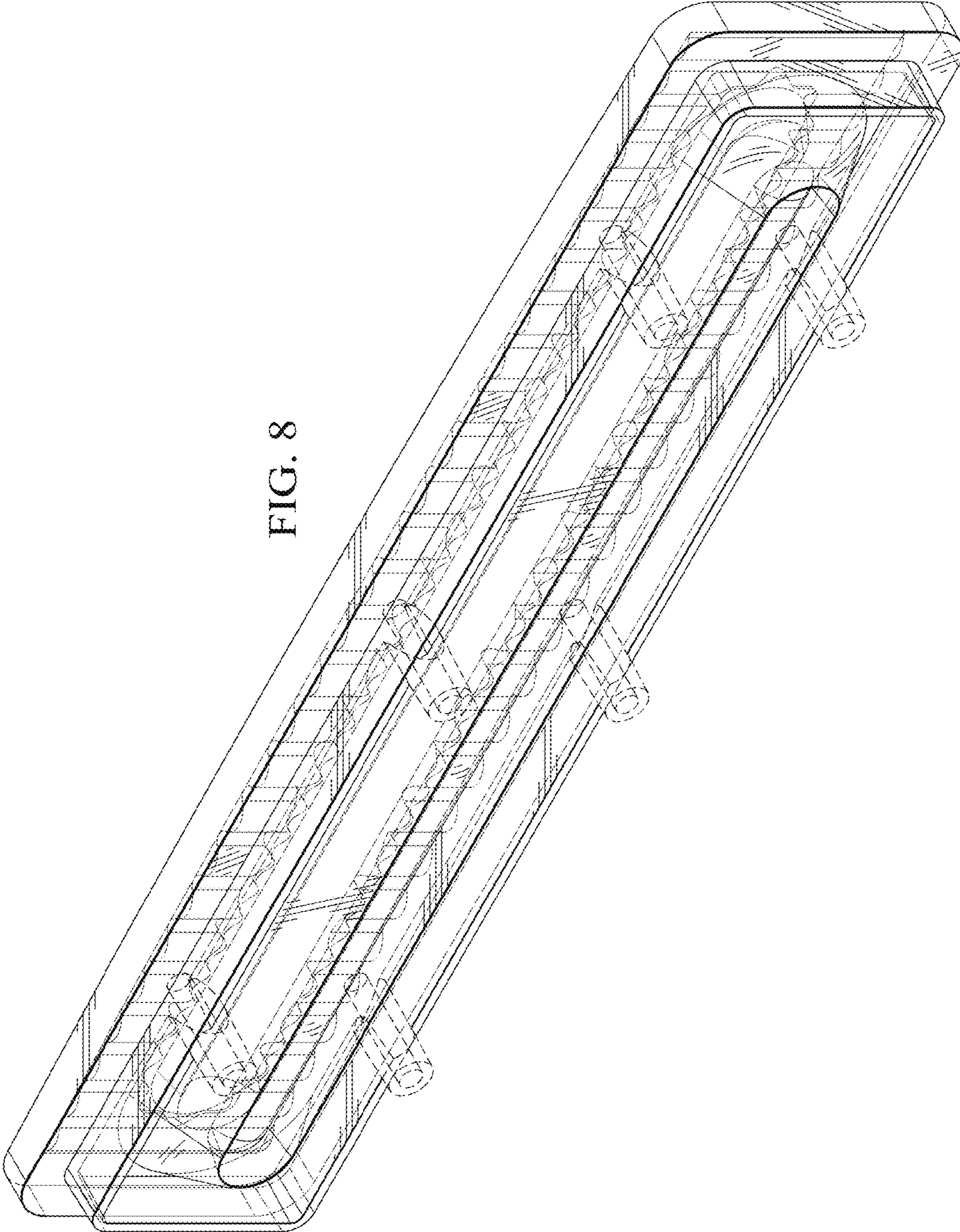


FIG. 8