



US00D797362S

(12) **United States Design Patent** (10) **Patent No.:** **US D797,362 S**  
**Deyaf et al.** (45) **Date of Patent:** **\*\* \*Sep. 12, 2017**

(54) **LED OPTICAL LENS**

(71) Applicant: **SpeedTech Lights Inc.**, Buda, TX (US)

(72) Inventors: **Malik Deyaf**, Buda, TX (US); **Mostafa Abdallah**, Buda, TX (US)

(73) Assignee: **SpeedTech Lights, Inc.**, Buda, TX (US)

(\*) Notice: This patent is subject to a terminal disclaimer.

(\*\*) Term: **15 Years**

(21) Appl. No.: **29/564,241**

(22) Filed: **May 11, 2016**

(51) **LOC (10) Cl.** ..... **26-05**

(52) **U.S. Cl.**  
USPC ..... **D26/120**

(58) **Field of Classification Search**  
USPC ..... D26/20, 27, 30, 31, 25, 35, 36, 42, 46, D26/55, 63, 69, 70, 71, 74, 76, 72, 85, D26/113, 78, 80, 101, 110, 109, 118-120, D26/123, 124, 127, 133, 134, 139, 303; D7/416; D10/111-113, 115, 113.1; D11/144; D13/134, 158-178; D14/473, D14/230; D22/118; D24/210; D25/126-135

CPC .... F21Y 2115/10; F21Y 2107/20; F21V 5/04; F21V 5/007; F21V 5/045; F21V 7/0083; F21V 7/0091; F21V 7/09; F21V 7/10; F21V 7/0016; F21V 7/22; F21V 15/01; F21V 14/06; F21V 29/74; F21V 29/004; F21V 23/0471; F21S 48/215; F21S 48/115; F21S 48/155; F21S 48/2212; F21S 48/1394; F21S 48/1154; F21S 4/26; F21S 2/00; F21S 8/00; F21K 9/00; F21K 9/233; G02B 19/0061; G02B 27/0955; G02B 27/095; G02B 27/0983; G03B 15/02; H05K 1/0203; H05K 2201/10106; H05B 33/0842; C09K 11/02; B61Q 1/068; B61Q 1/0088

See application file for complete search history.

(56) **References Cited**

U.S. PATENT DOCUMENTS

753,134 A \* 2/1904 Goehst ..... F21V 7/22 362/237  
D120,658 S \* 5/1940 Arenberg ..... D26/120  
2,482,430 A \* 9/1949 Noel ..... G03B 15/02 362/12  
3,643,079 A \* 2/1972 Glickman ..... F21S 8/00 362/249.09

(Continued)

OTHER PUBLICATIONS

“Optilux 6-LED Mini Light Bar” Mar. 4, 2014, tirerack.com, site visited May 2, 2017 <<https://www.tirerack.com/lighting/detail.jsp?ID=1194>>.\*

(Continued)

*Primary Examiner* — Kevin Rudzinski  
*Assistant Examiner* — Paul Bohannon

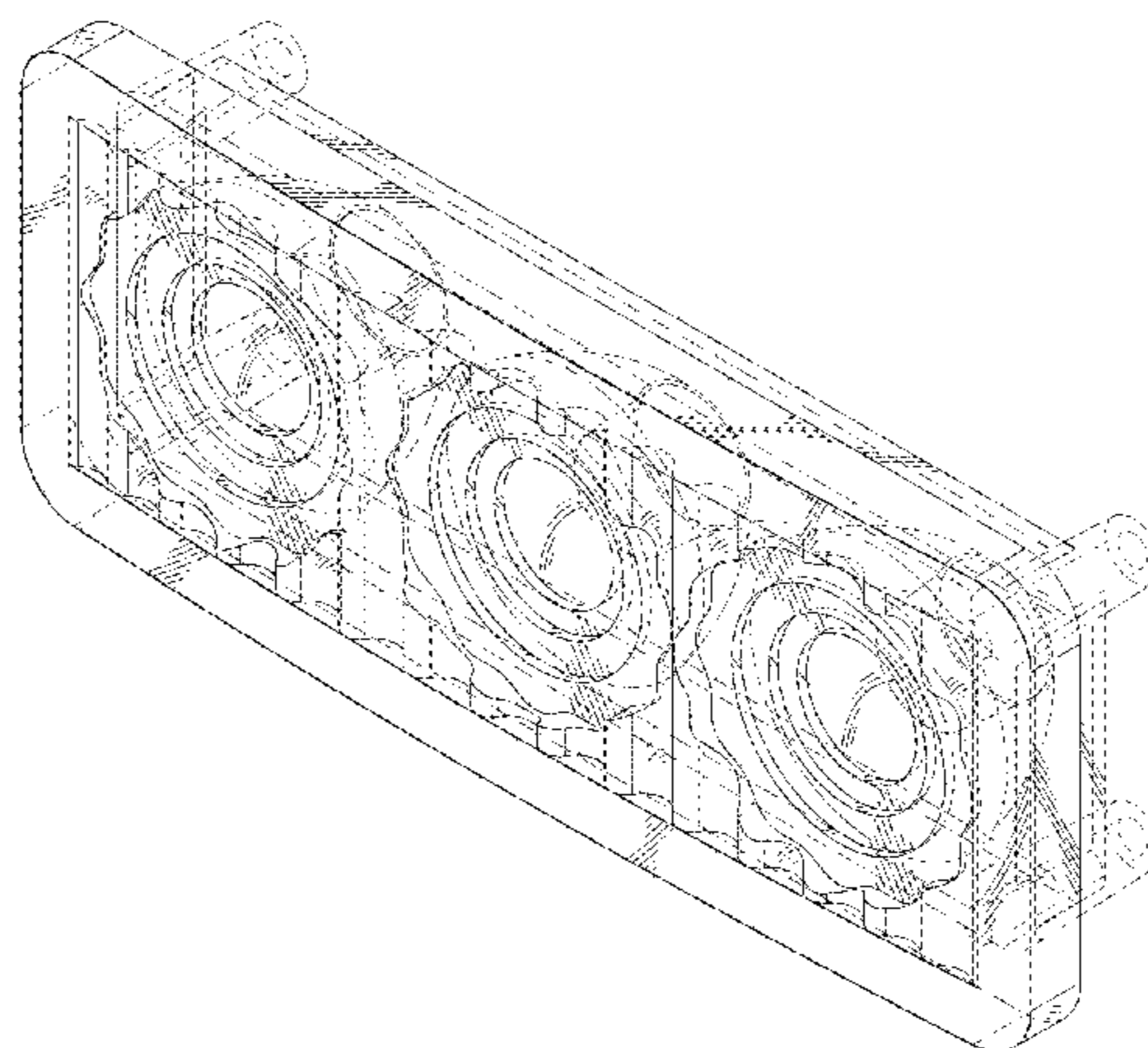
(57) **CLAIM**

The ornamental design for a LED optical lens, as shown and described.

**DESCRIPTION**

FIG. 1 is a perspective front view of a LED optical lens showing our new design;  
FIG. 2 is a front view thereof;  
FIG. 3 is a back view thereof;  
FIG. 4 is a right side view thereof;  
FIG. 5 is a left side view thereof;  
FIG. 6 is a top plan view thereof;  
FIG. 7 is a bottom plan view; and,  
FIG. 8 is a perspective back view thereof.  
The broken line portions in FIGS. 1-8 are included to show unclaimed subject matter only and form no part of the claimed design.

**1 Claim, 6 Drawing Sheets**



(56)

**References Cited**

U.S. PATENT DOCUMENTS

D247,756 S \* 4/1978 Nagelkerke ..... D24/210  
4,764,851 A \* 8/1988 Hartmann ..... F21S 48/155  
362/238  
D359,374 S \* 6/1995 Weinstock ..... D26/80  
D578,692 S \* 10/2008 Engel ..... D26/63  
D646,416 S \* 10/2011 Wauters ..... D26/63  
D653,860 S \* 2/2012 Duma ..... D6/303  
D672,900 S \* 12/2012 Gailly ..... D26/80  
2013/0051059 A1 \* 2/2013 Abai ..... B60Q 1/068  
362/523  
2015/0217679 A1 \* 8/2015 Paine ..... B60Q 1/0088  
362/517

OTHER PUBLICATIONS

“Rigid SR-Series 6” LED Light Bar” Dec. 2, 2011, trailduty.com,  
site visited May 3, 2017 <[https://www.trailduty.com/product\\_info.php?products\\_id=1544](https://www.trailduty.com/product_info.php?products_id=1544)>.\*

“18W LED Bar” Nov. 18, 2015, olx.pt, site visited May 3, 2017  
<<https://www.olx.pt/anuncio/barra-led-18w-IDxSEKw.html>>.\*

\* cited by examiner

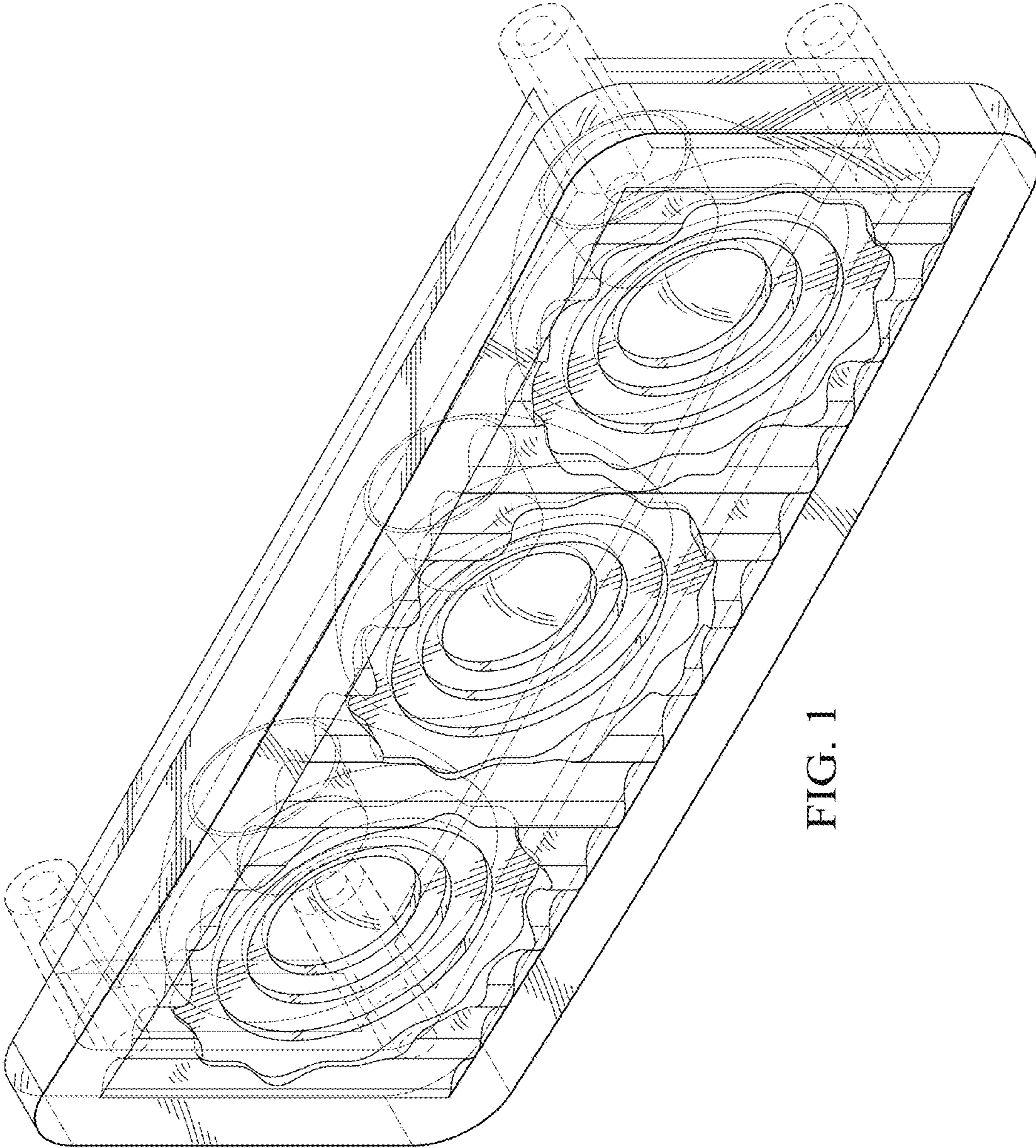


FIG. 1

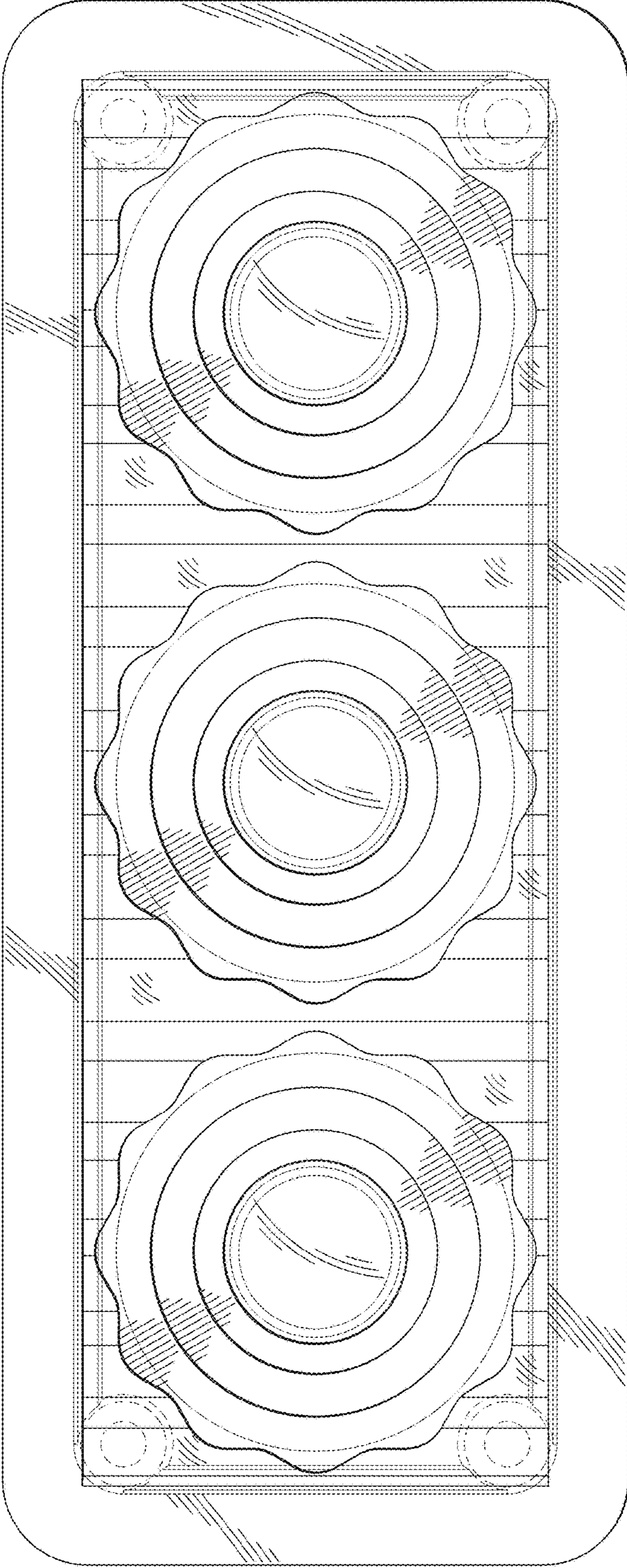


FIG. 2

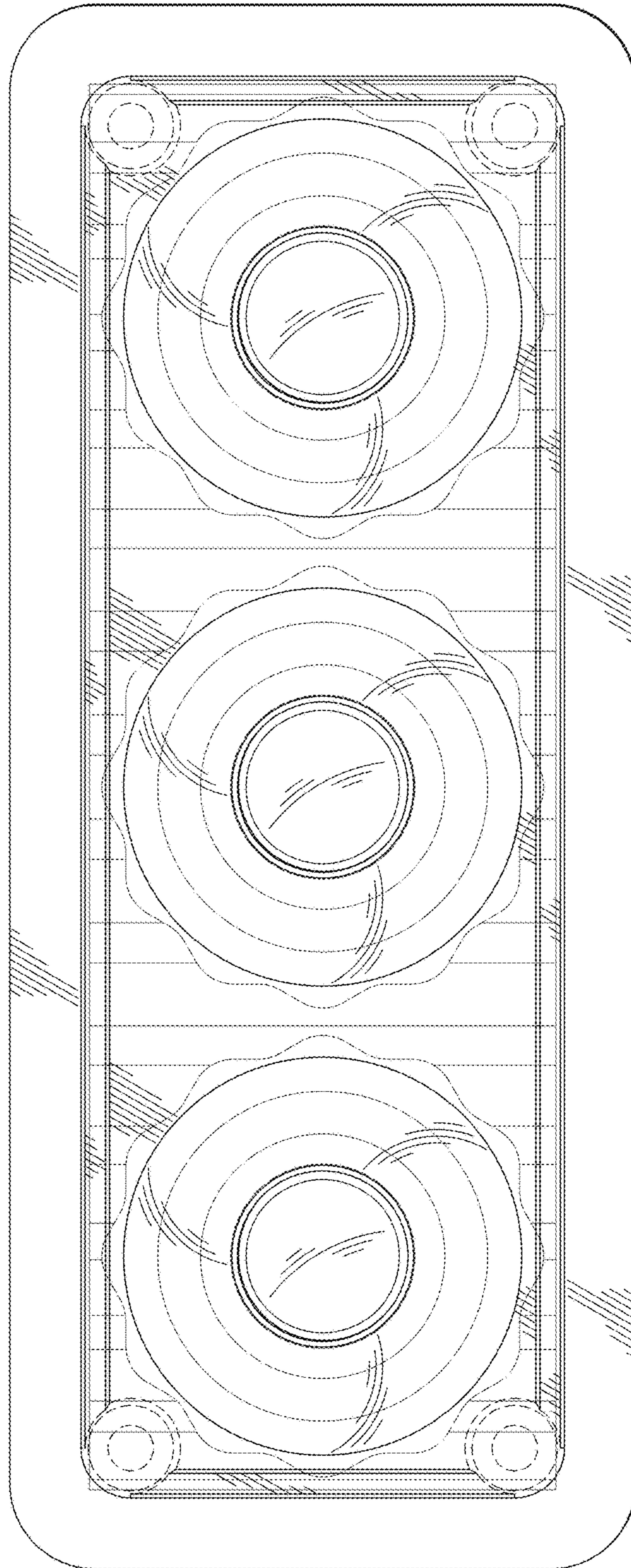


FIG. 3

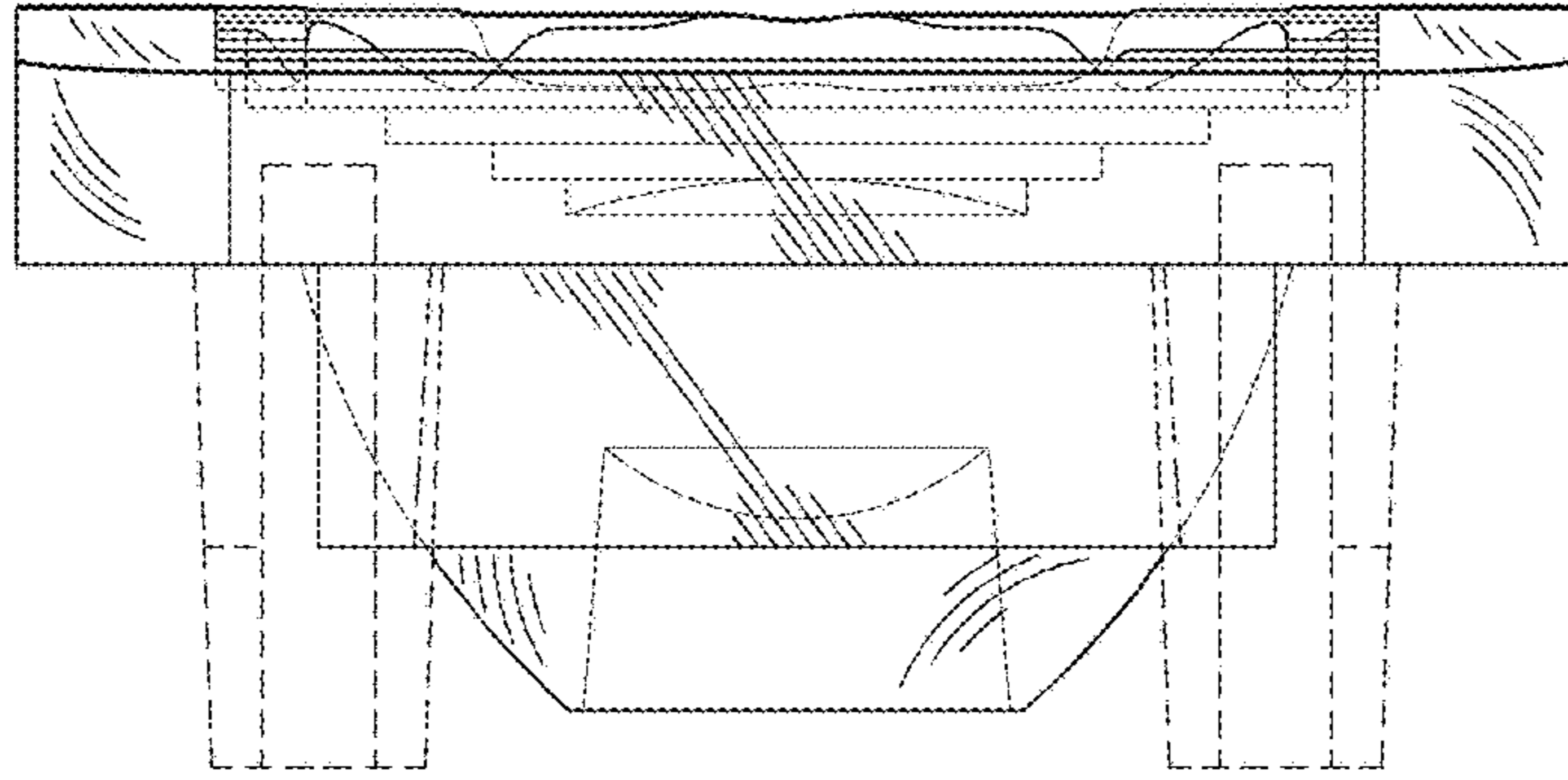


FIG. 5

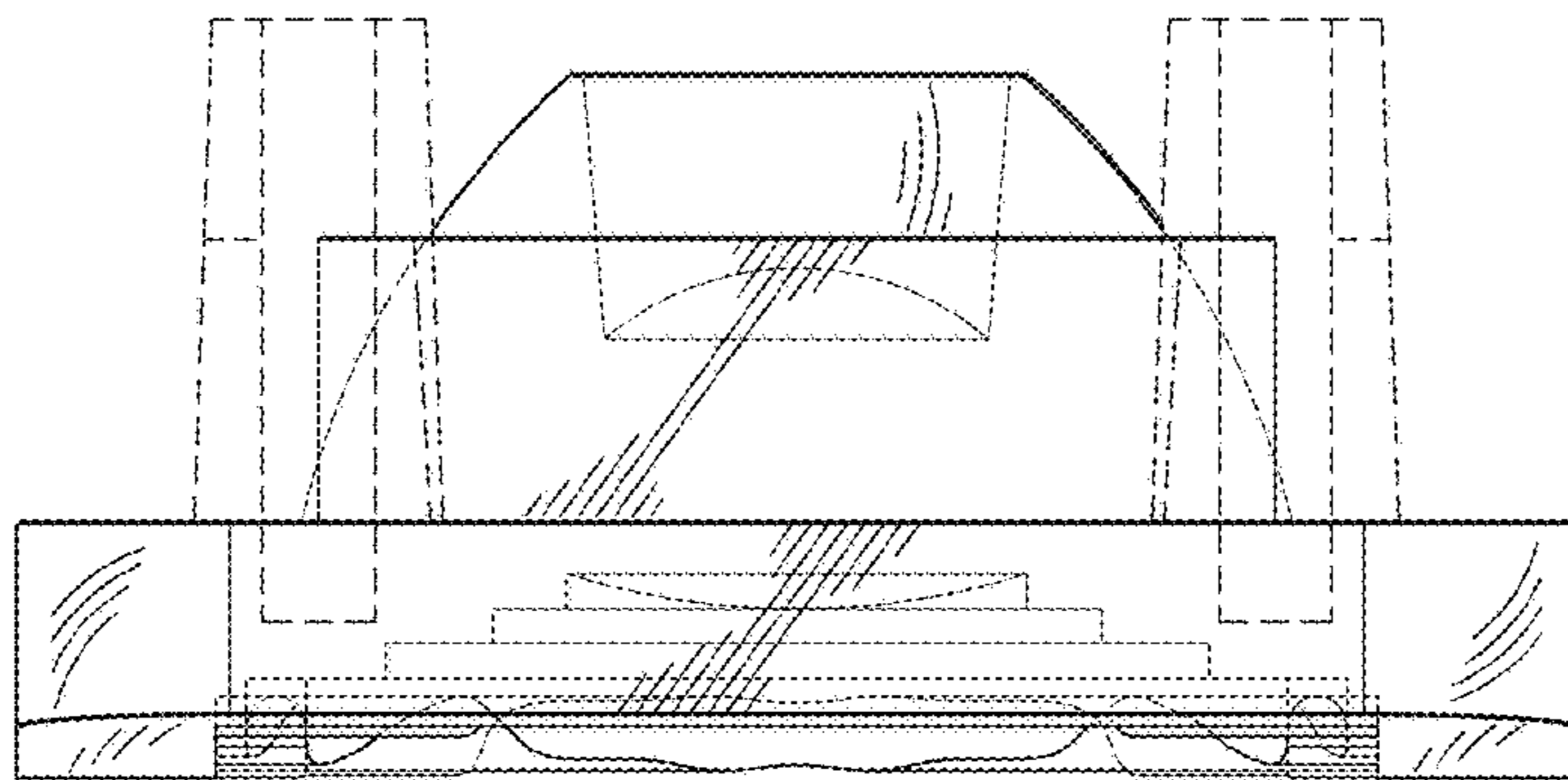


FIG. 4

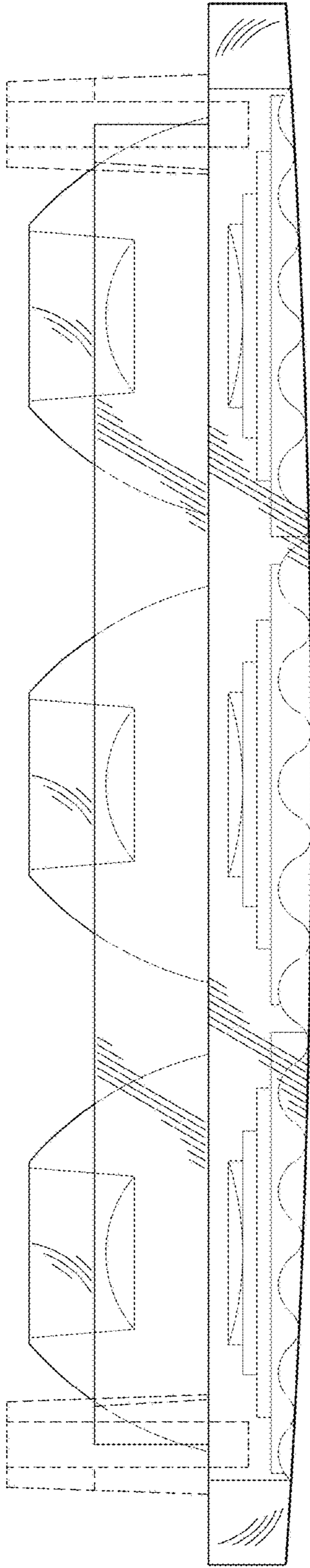


FIG. 6

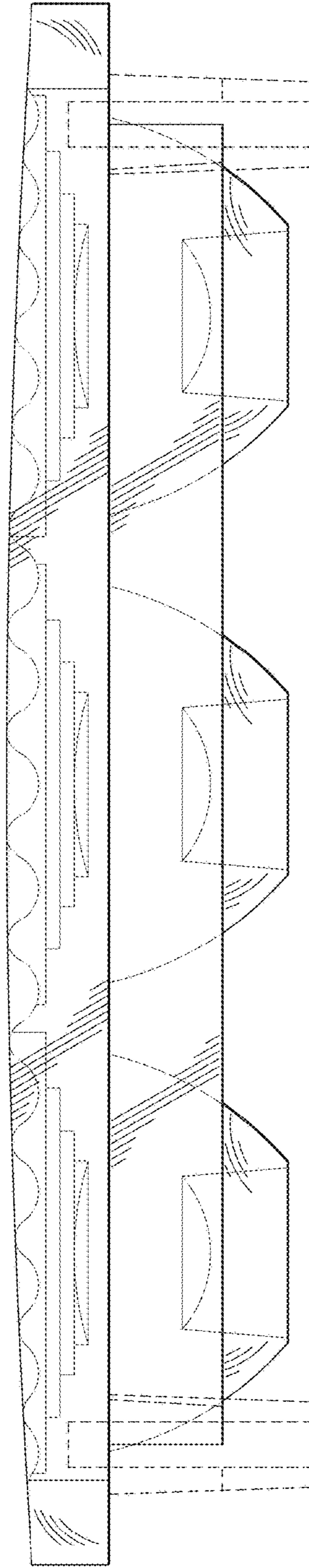


FIG. 7

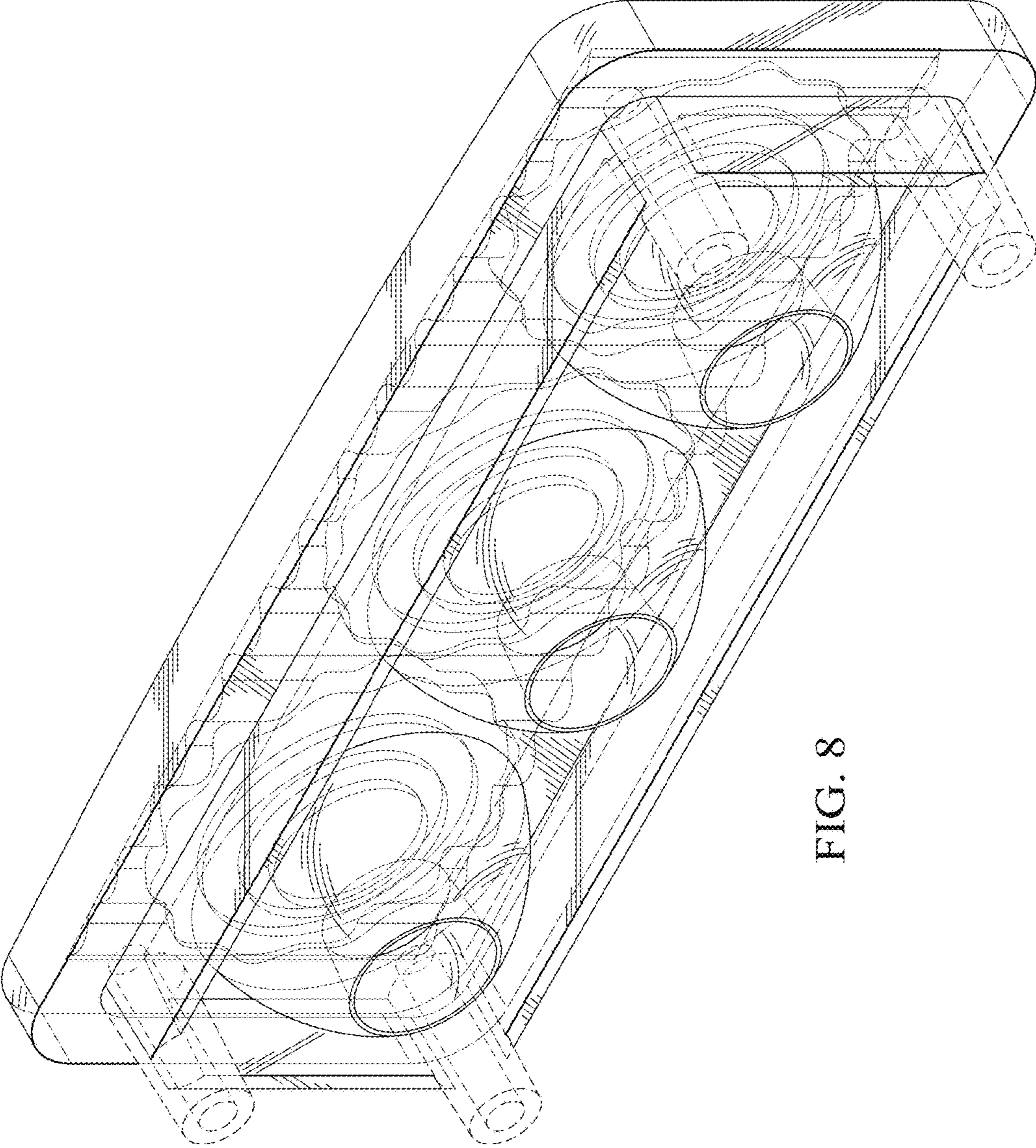


FIG. 8