



US00D797360S

(12) **United States Design Patent** (10) **Patent No.:** **US D797,360 S**  
**Deyaf et al.** (45) **Date of Patent:** **\*\* Sep. 12, 2017**

(54) **LED OPTICAL LENS**

(71) Applicant: **SpeedTech Lights Inc.**, Buda, TX (US)

(72) Inventors: **Malik Deyaf**, Buda, TX (US); **Mostafa Abdallah**, Buda, TX (US)

(73) Assignee: **SpeedTech Lights, Inc.**, Buda, TX (US)

(\*\*) Term: **15 Years**

(21) Appl. No.: **29/564,237**

(22) Filed: **May 11, 2016**

(51) **LOC (10) Cl.** ..... **26-05**

(52) **U.S. Cl.**  
USPC ..... **D26/120**

(58) **Field of Classification Search**  
USPC ..... D26/20, 27, 28, 30, 31, 32, 25, 35, 36, D26/42, 46, 55, 63, 69, 70, 71, 74, 76, D26/72, 85, 113, 78, 80, 101, 110, 109, D26/118-124, 127, 133, 134, 139, 141, D26/210, 303; D6/303; D7/416, 554.2; D10/111-113, 115, 113.1, 114.1; D11/144; D13/134, 158-178, 180; D14/473, 230; D22/118; D24/210; D25/126-135

CPC .... F21Y 2115/10; F21Y 2107/20; F21V 5/04; F21V 5/007; F21V 5/045; F21V 7/0083; F21V 7/0091; F21V 7/09; F21V 7/10; F21V 7/0016; F21V 7/22; F21V 15/01; F21V 14/06; F21V 29/74; F21V 29/004; F21V 23/0471; F21S 48/24; F21S 48/215; F21S 48/115; F21S 48/155; F21S 48/2212; F21S 48/1394; F21S 48/1154; F21S 4/26; F21S 2/00; F21S 8/00; F21K 9/00; F21K 9/233; G02B 19/0061; G02B 27/0955; G02B 27/095; G02B 27/0983; G03B 15/02; H05K 1/0203; H05K 2201/10106; H05B 33/0842; C09K 11/02; B61Q 1/068; B61Q 1/0088; B60R 11/0217

See application file for complete search history.

(56) **References Cited**

U.S. PATENT DOCUMENTS

D120,658 S \* 5/1940 Arenberg ..... D26/120  
D247,756 S \* 4/1978 Nagelkerke ..... D24/210  
D359,374 S \* 6/1995 Weinstock ..... D26/80  
D563,012 S \* 2/2008 Citterio ..... D26/63  
7,465,070 B2 \* 12/2008 Engel ..... F21S 2/00  
362/147  
D618,572 S \* 6/2010 Shin ..... D10/114.1  
(Continued)

OTHER PUBLICATIONS

“Optilux 6-LED Mini Light Bar” Mar. 4, 2014, tirerack.com, site visited May 2, 2017 <<https://www.tirerack.com/lighting/detail.jsp?ID=1194>>.\*

(Continued)

*Primary Examiner* — Kevin Rudzinski  
*Assistant Examiner* — Paul Bohannon

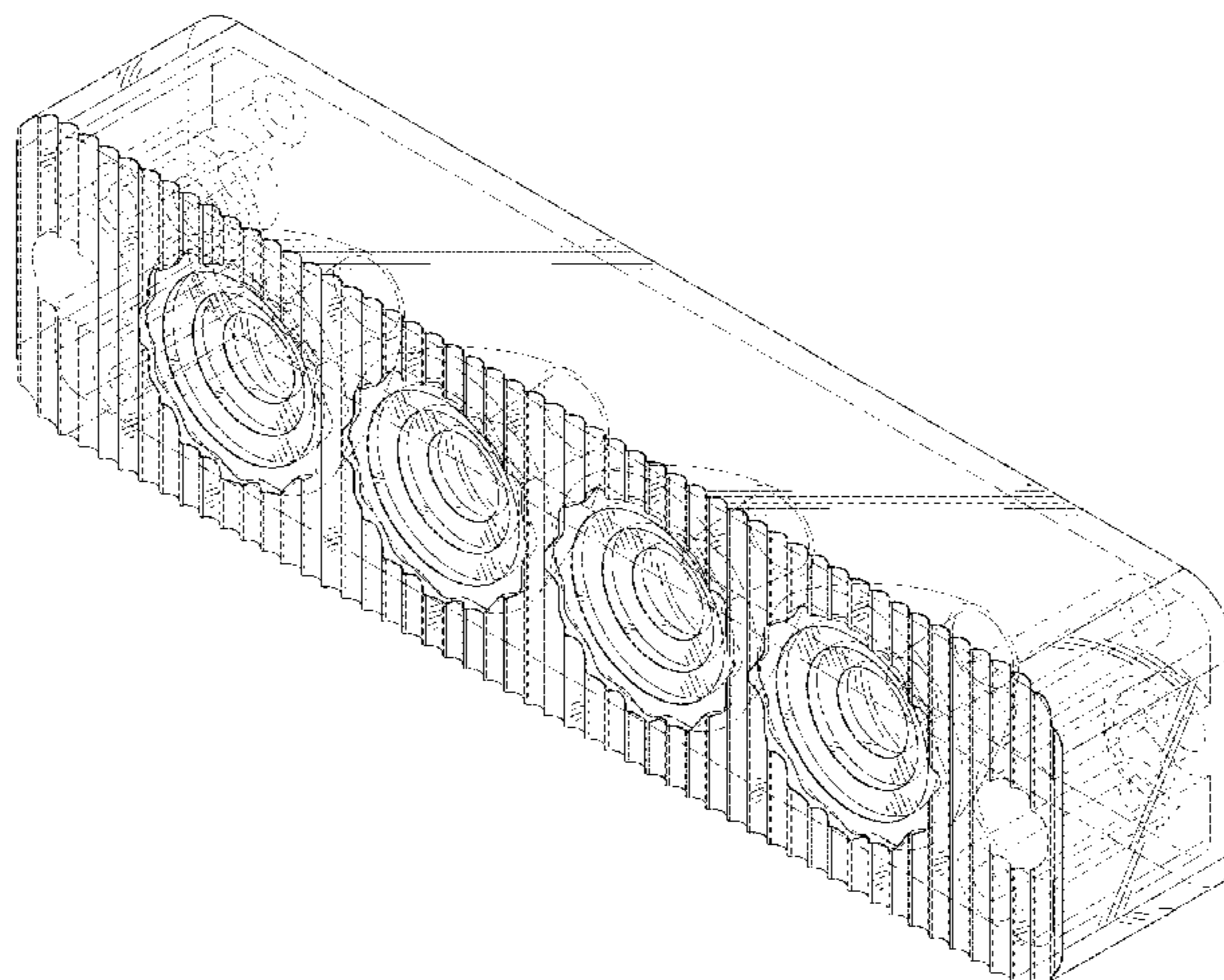
(57) **CLAIM**

The ornamental design for a LED optical lens, as shown and described.

**DESCRIPTION**

FIG. 1 is a perspective front view of a LED optical lens showing our new design;  
FIG. 2 is a front view thereof;  
FIG. 3 is a back view thereof;  
FIG. 4 is a right side view thereof;  
FIG. 5 is a left side view thereof;  
FIG. 6 is a top plan view thereof;  
FIG. 7 is a bottom plan view; and,  
FIG. 8 is a perspective back view thereof.  
The broken line portions in FIGS. 1-8 are included to show unclaimed subject matter only and form no part of the claimed design.

**1 Claim, 5 Drawing Sheets**



(56)

**References Cited**

U.S. PATENT DOCUMENTS

D632,421 S \* 2/2011 Vukosic ..... D26/124  
D672,900 S \* 12/2012 Gailly ..... D26/80  
D679,860 S \* 4/2013 Maxik ..... D26/141  
D699,880 S \* 2/2014 Szoke ..... D26/74  
D774,686 S \* 12/2016 Neufeglise ..... D26/122  
2015/0217679 A1\* 8/2015 Paine ..... B60Q 1/0088  
362/517  
2016/0131330 A1\* 5/2016 Jiang ..... F21K 9/233  
362/235

OTHER PUBLICATIONS

“20” Inches Cree LED Light Bar Single Row Black Housing  
Offroad 4x4 120W Boat Marine Camping Fishing Boat High Duty  
3 June 015, amazon.com, site visited May 2, 2017 <<https://www.amazon.com/LED-Housing-Offroad-Camping-Fishing/dp/B00QSOH9NI>>.\*

“18W LED Bar” Nov. 18, 2015, olx.pt, site visited May 3, 2017  
<<https://www.olx.pt/anuncio/barra-led-18w-1DxSEKw.html>>.\*

\* cited by examiner

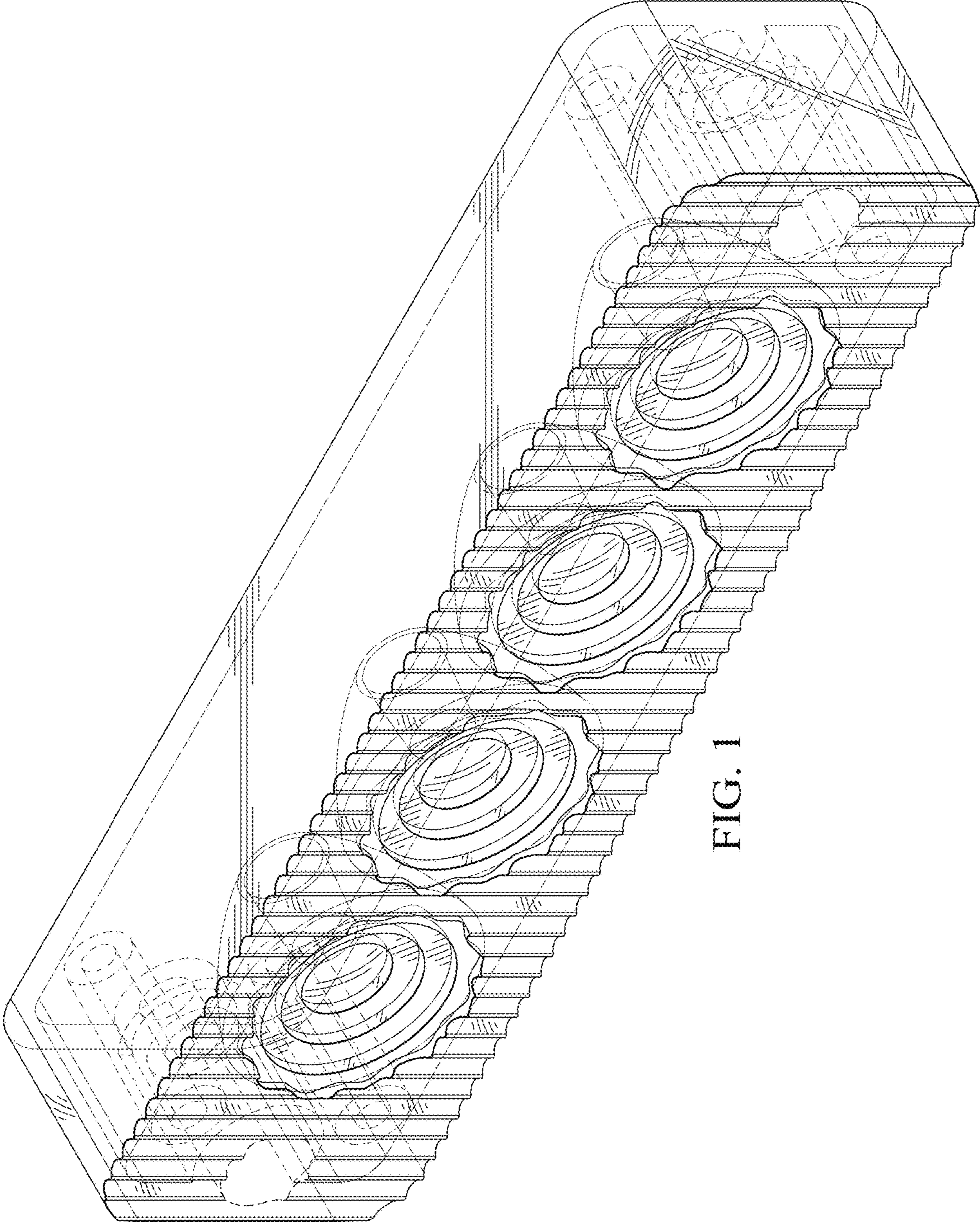


FIG. 1

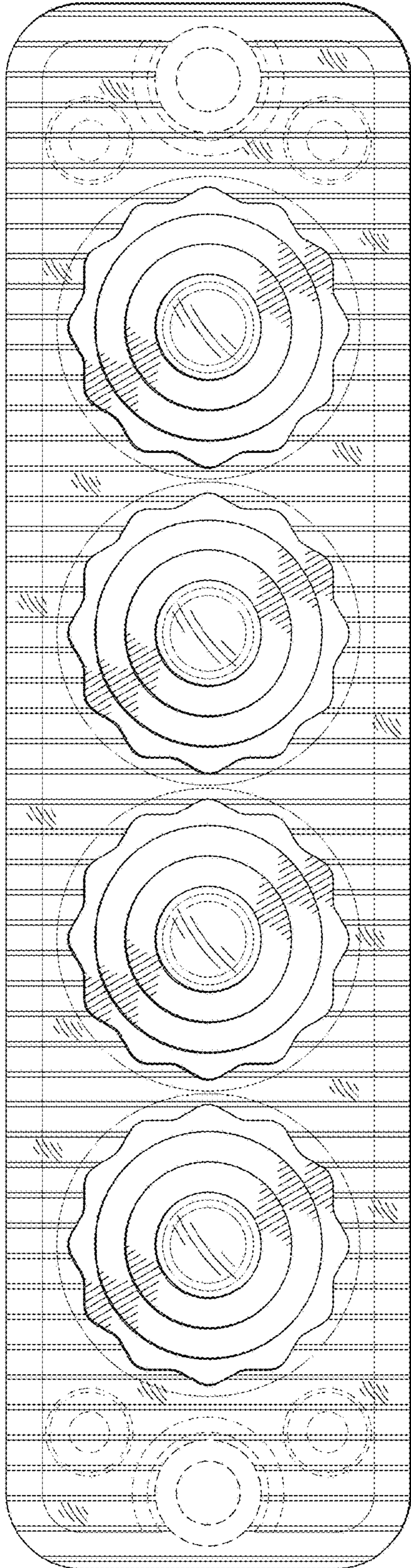


FIG. 2

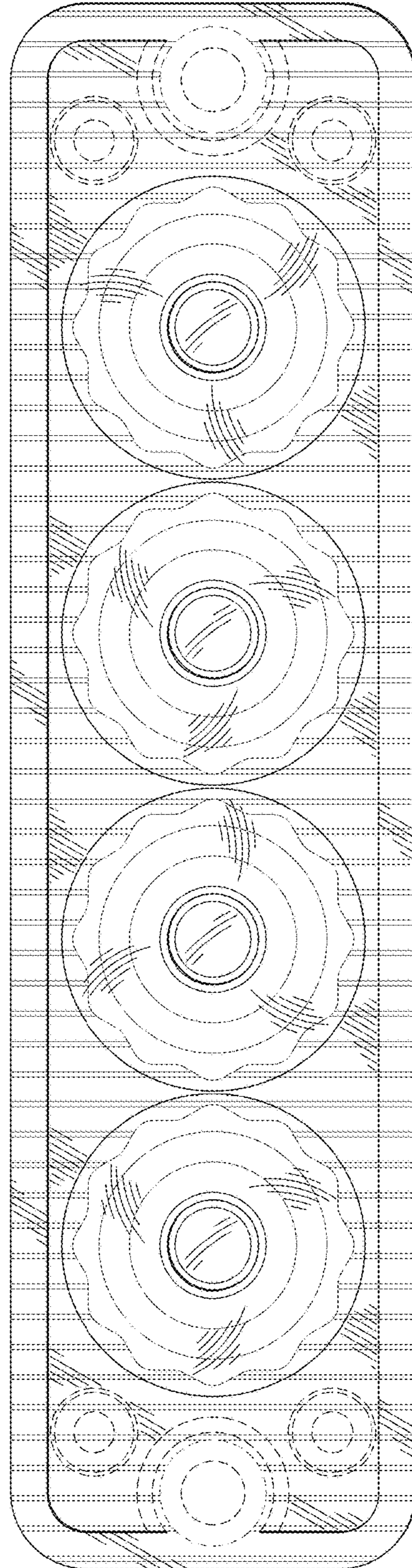


FIG. 3

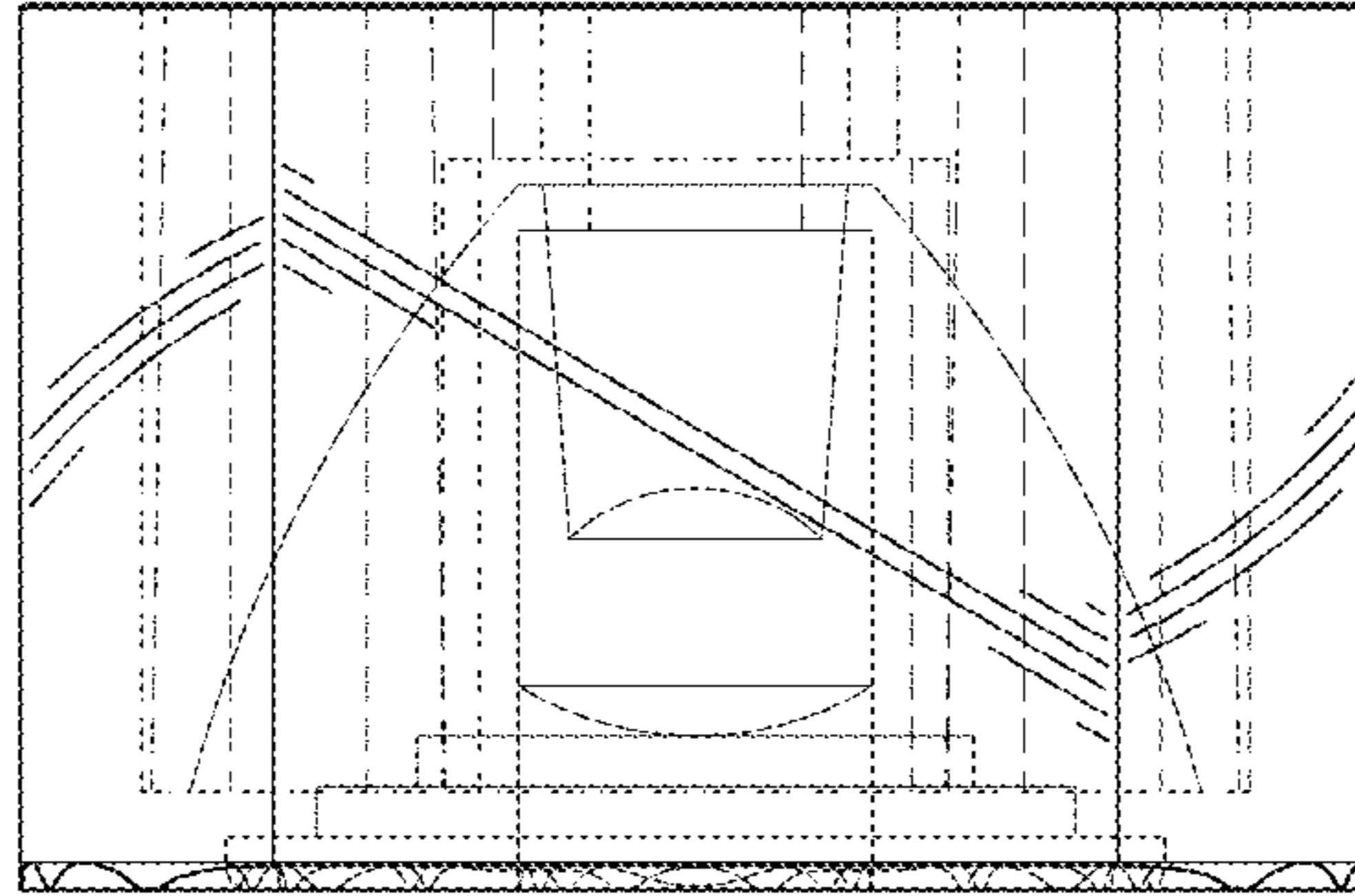


FIG. 5

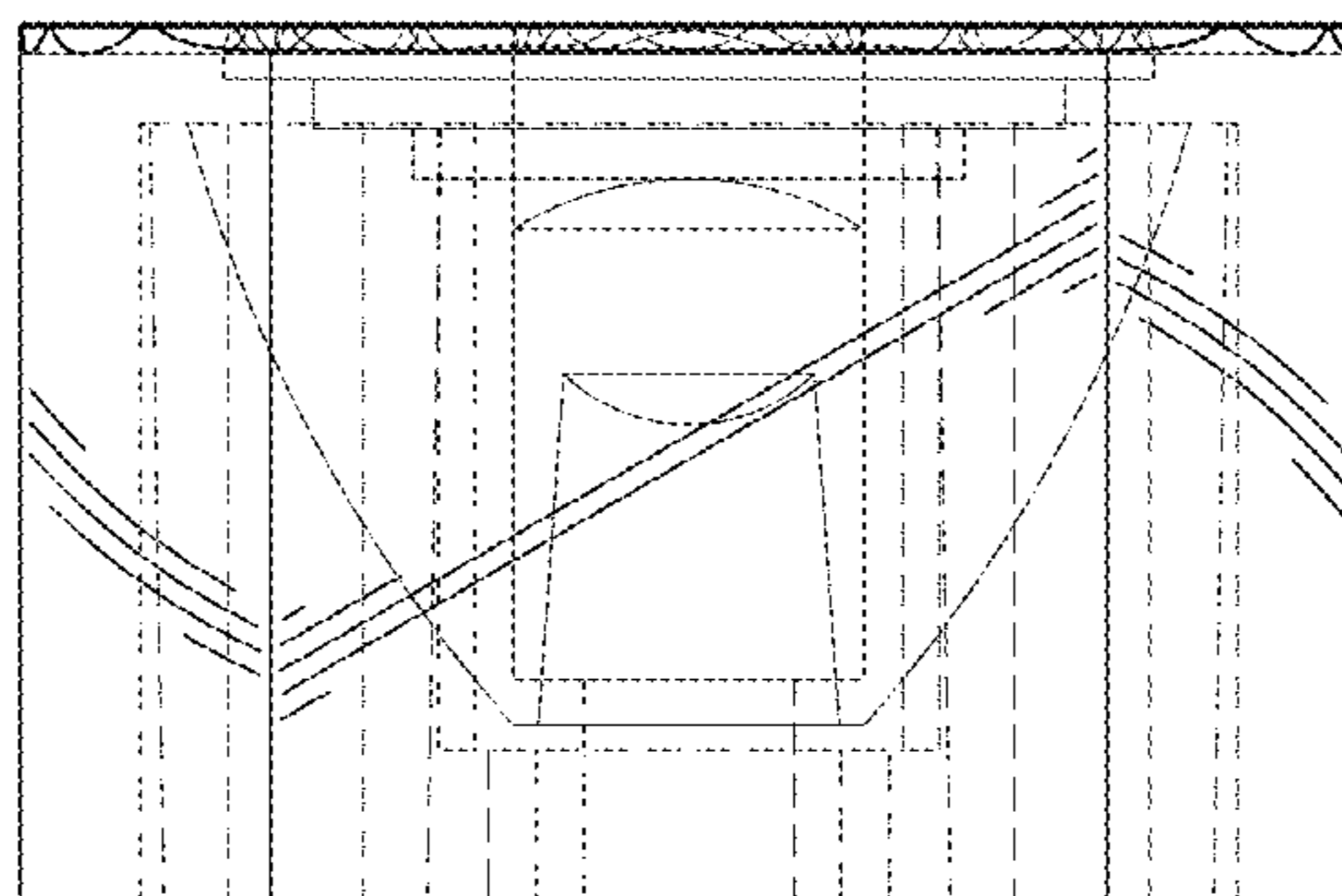


FIG. 4

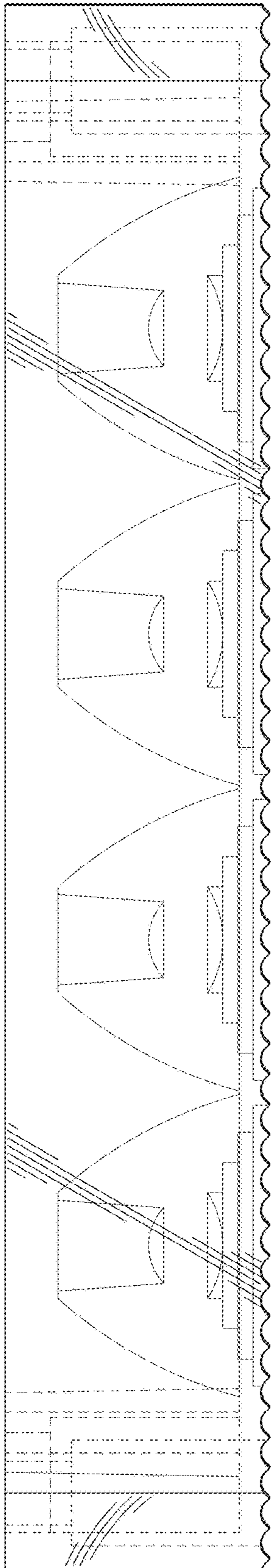


FIG. 6

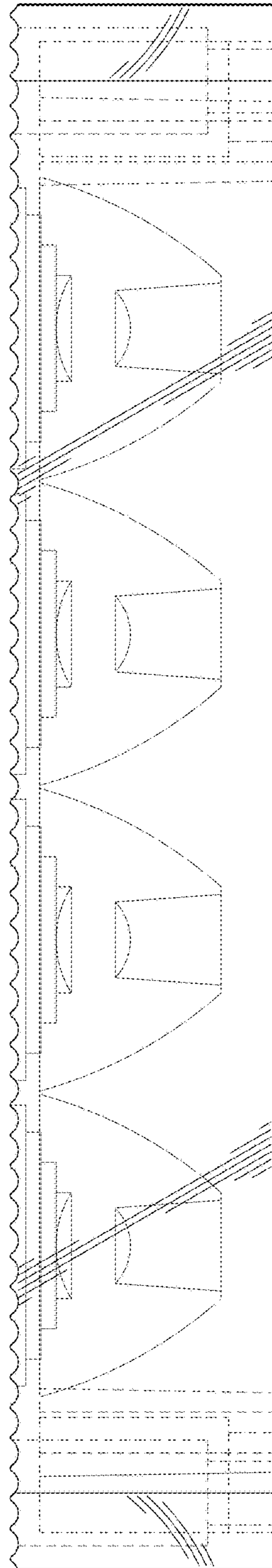


FIG. 7

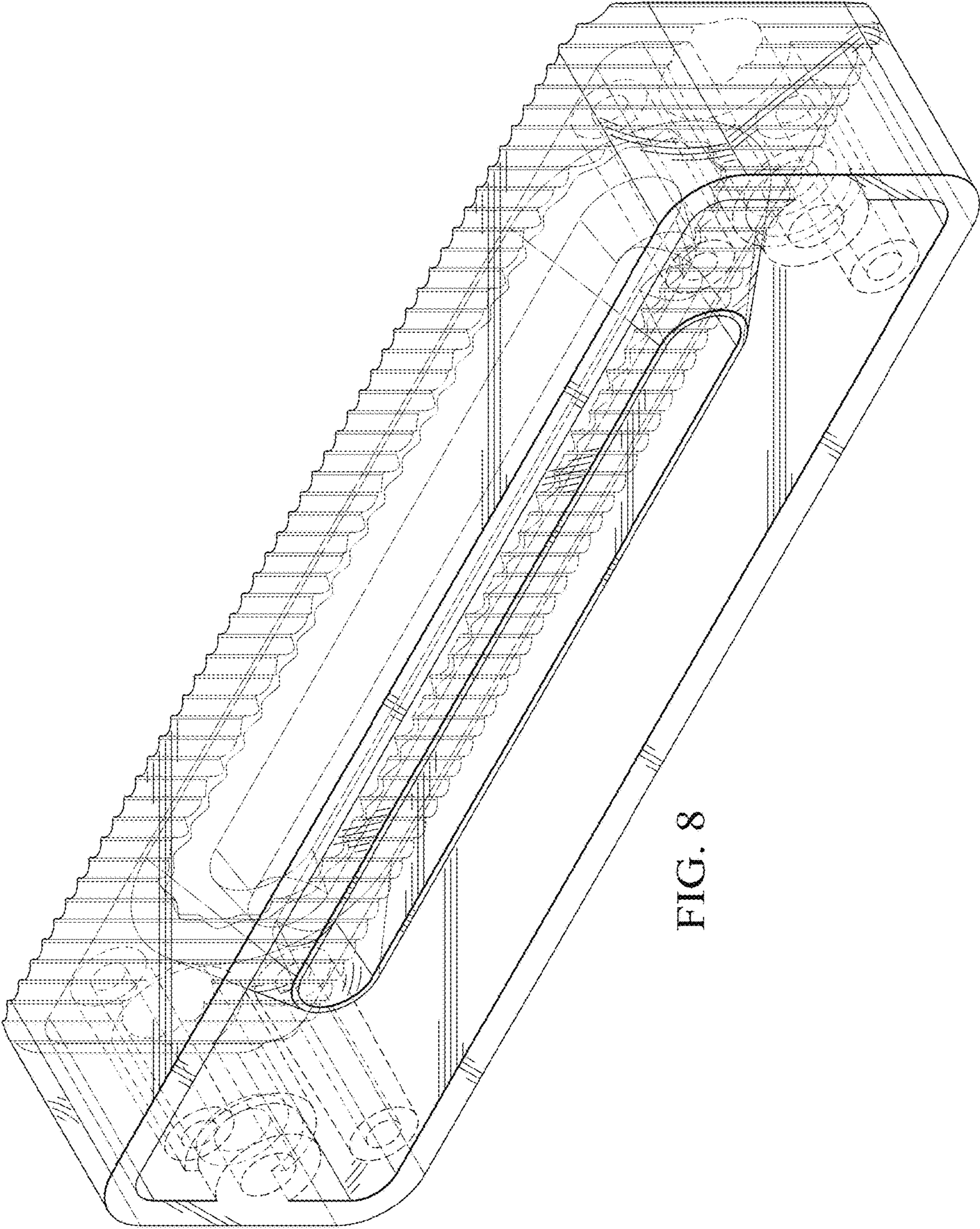


FIG. 8