



US00D797358S

(12) **United States Design Patent** (10) **Patent No.:** **US D797,358 S**  
**Chiao** (45) **Date of Patent:** **\*\* Sep. 12, 2017**

(54) **MOUNTABLE LIGHTING APPARATUS**

(56) **References Cited**

(71) Applicant: **S2B, Inc.**, Ontario (CA)

U.S. PATENT DOCUMENTS

(72) Inventor: **Chen Chih Chiao**, Tainan (TW)

D619,633 S \* 7/2010 Chen ..... D26/120  
D619,753 S \* 7/2010 Zhang ..... D26/120  
D620,635 S \* 7/2010 Chen ..... D26/124  
7,800,124 B2 \* 9/2010 Urano ..... H01L 33/483  
257/98

(73) Assignee: **S2B, INC.**, Ontario (CA)

(\*\*) Term: **15 Years**

\* cited by examiner

(21) Appl. No.: **29/558,622**

*Primary Examiner* — Brian N Vinson

(74) *Attorney, Agent, or Firm* — ONE LLP

(22) Filed: **Mar. 18, 2016**

(57) **CLAIM**

The ornamental design for a mountable lighting apparatus, as shown and described.

(51) **LOC (10) Cl.** ..... **26-99**

**DESCRIPTION**

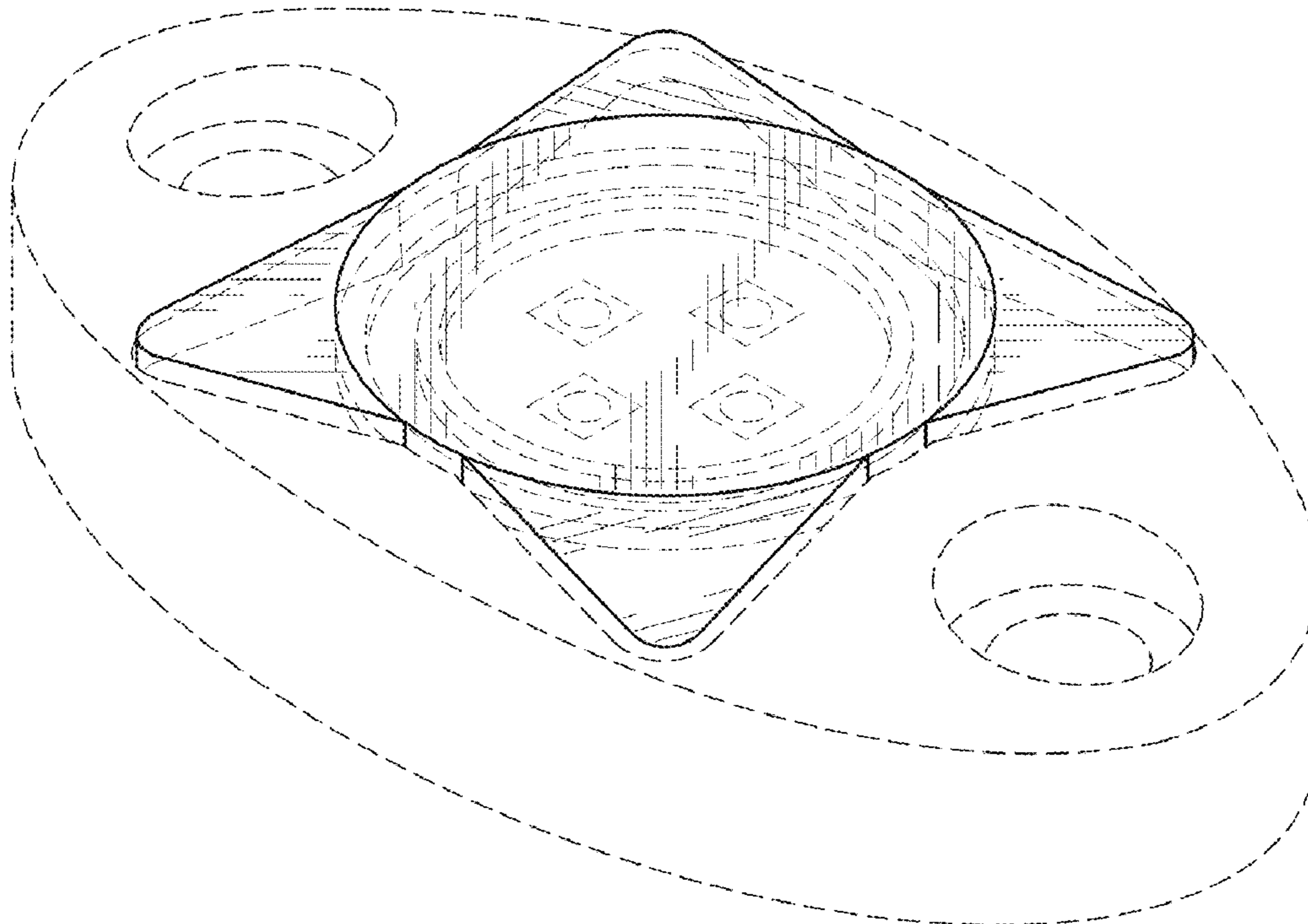
(52) **U.S. Cl.**  
USPC ..... **D26/120**

(58) **Field of Classification Search**  
USPC ..... D26/120, 113, 118, 119, 121, 122, 124,  
D26/125, 128, 64, 24, 93, 76, 44, 63  
CPC ..... F21Y 201/02; F21Y 2103/003; F21Y  
2105/001; F21Y 2113/007; F21Y  
2105/003; F21Y 2105/008; F21Y  
2111/001; F21K 9/00; F21V 5/045; F21V  
7/041; F21V 5/004; F21V 5/04; F21W  
2131/103

FIG. 1 is a side perspective lighting surface view of a lighting apparatus showing the new design; FIG. 2 is a lighting surface direct view thereof; FIG. 3 is a lengthwise side view thereof; FIG. 4 is a widthwise side view thereof; and, FIG. 5 is a mounting direct view thereof. The broken line showing of the lighting apparatus shows elements of a housing with side holes for mounting with screws to a portion of a vehicle, such as below running boards, with a plurality of LED's located in a central area that forms no part of the claimed design.

See application file for complete search history.

**1 Claim, 2 Drawing Sheets**



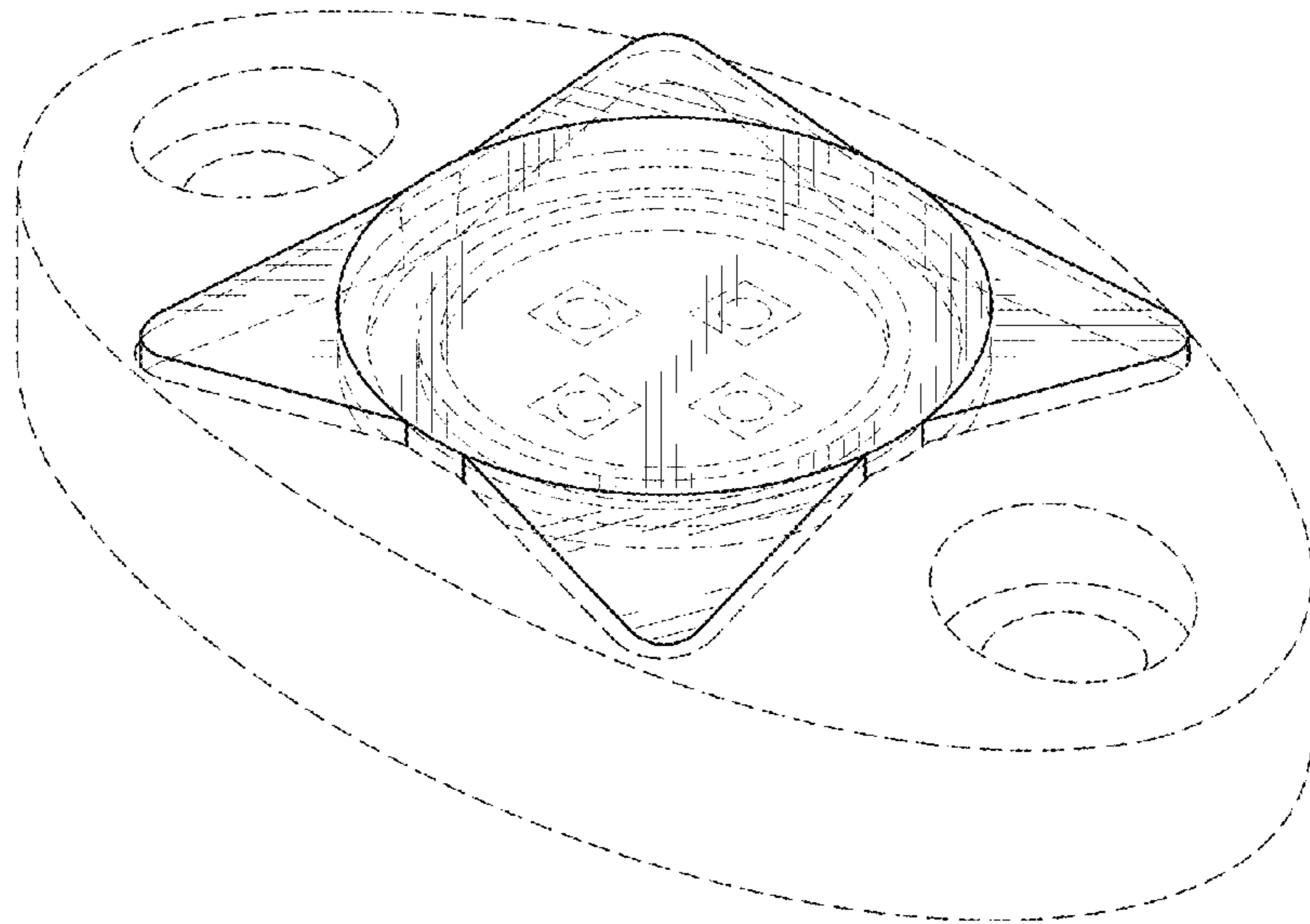


FIG. 1

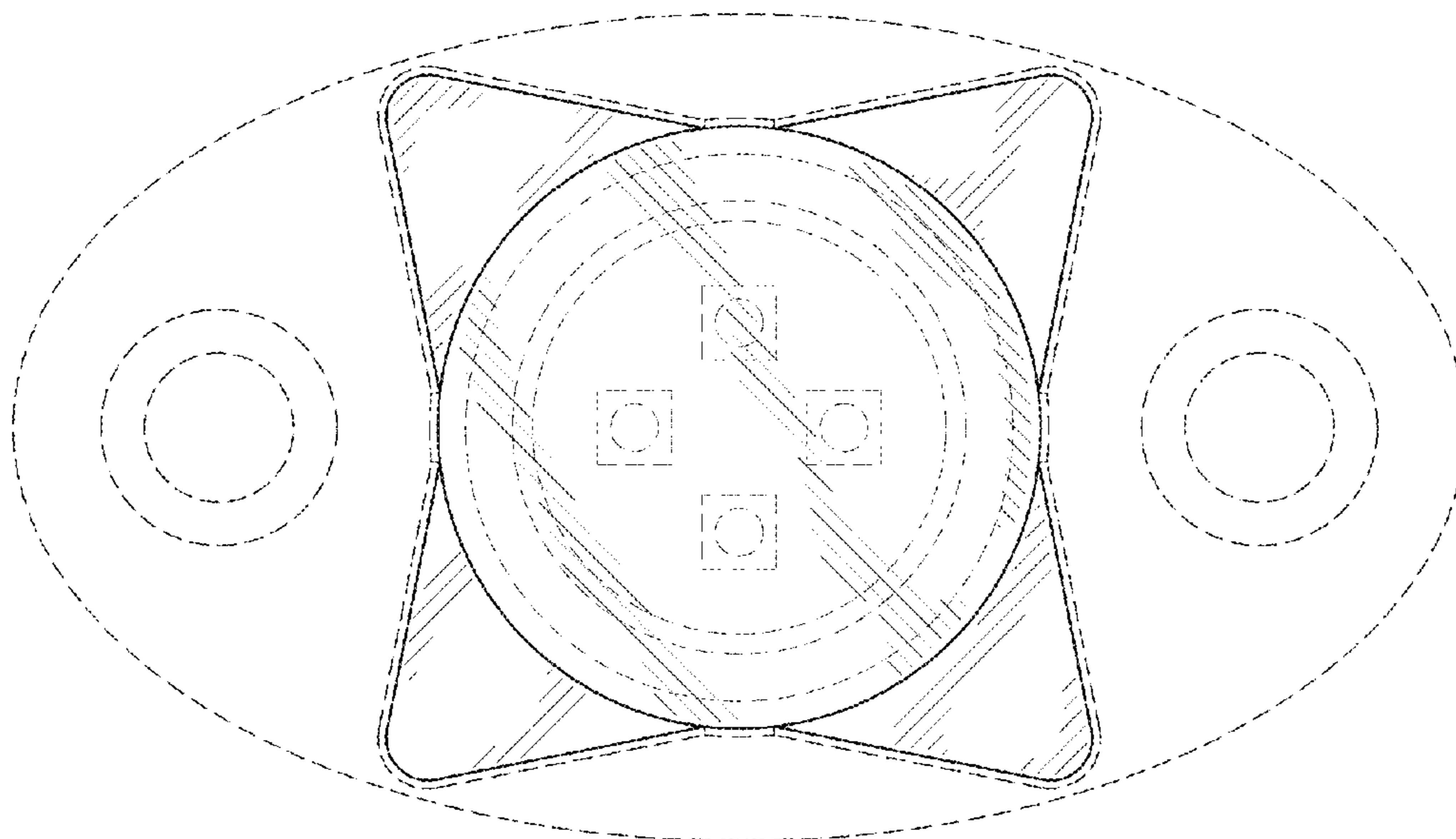


FIG. 2

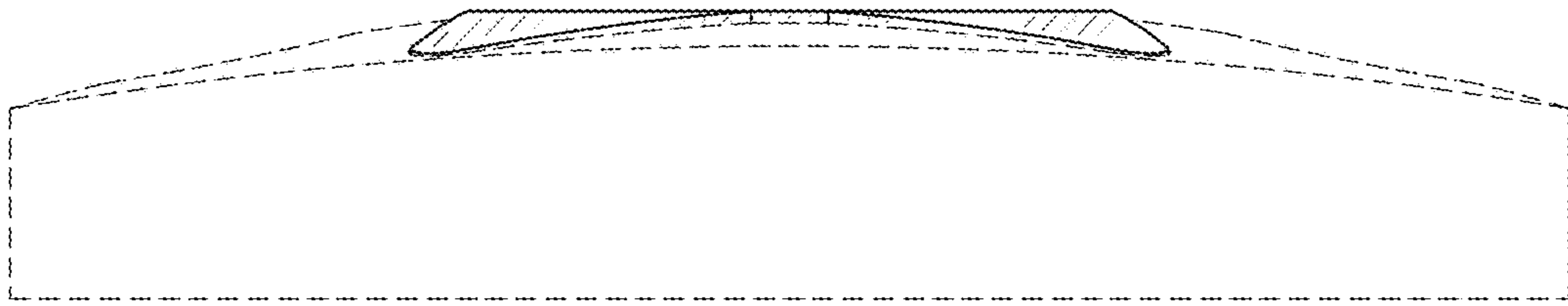


FIG. 3

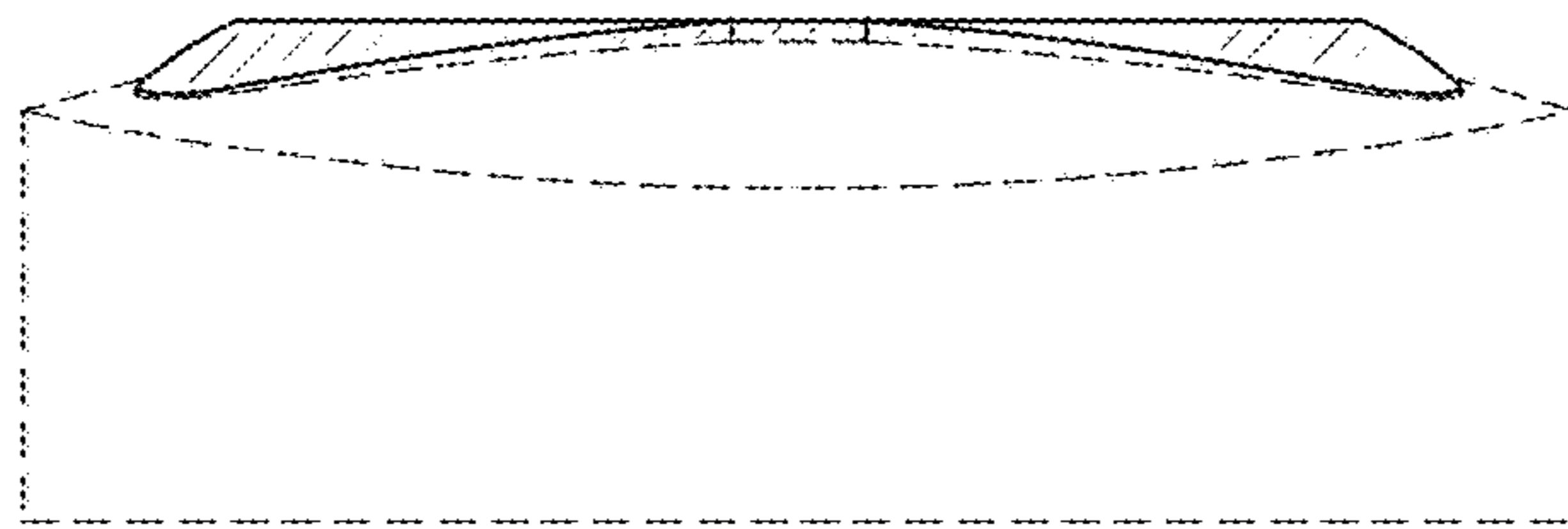


FIG. 4

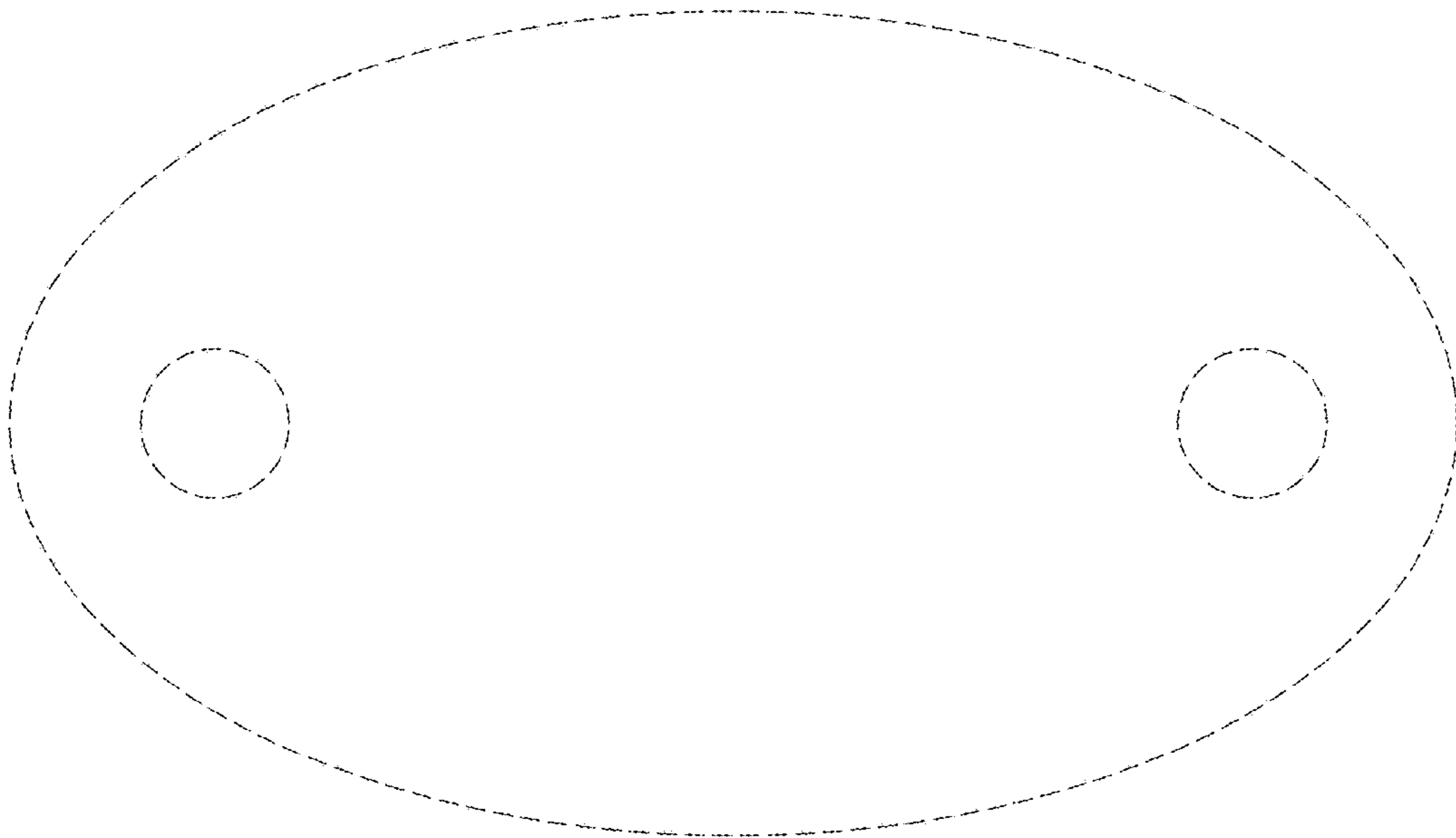


FIG. 5