



US00D797357S

(12) **United States Design Patent**
Vasylyev

(10) **Patent No.:** **US D797,357 S**

(45) **Date of Patent:** **** Sep. 12, 2017**

- (54) **LED ILLUMINATED PANEL**
- (71) Applicant: **Sergiy Vasylyev**, Elk Grove, CA (US)
- (72) Inventor: **Sergiy Vasylyev**, Elk Grove, CA (US)
- (73) Assignee: **SVV TECHNOLOGY INNOVATIONS, INC.**, Sacramento, CA (US)
- (**) Term: **15 Years**
- (21) Appl. No.: **29/554,694**
- (22) Filed: **Feb. 13, 2016**
- (51) **LOC (10) Cl.** **26-99**
- (52) **U.S. Cl.**
USPC **D26/120**
- (58) **Field of Classification Search**
USPC D26/61-71, 92, 93, 107, 118, 120, 122,
D26/141, 89; D13/102, 180, 182
CPC F21S 9/03; F21S 8/085; F21S 8/086; F21S
8/043; F21S 6/002; F21S 6/003; F21W
2131/103; F21V 15/01; F21V 21/16;
F21V 8/00; F21V 7/04
See application file for complete search history.

D699,693 S * 2/2014 Otsuka D13/182
D701,988 S 4/2014 Clements
D717,990 S * 11/2014 Nakai D26/120

(Continued)

Primary Examiner — Brian N Vinson

(57) **CLAIM**

The ornamental design for a LED illuminated panel, as shown and described.

DESCRIPTION

A portion of the material in this patent document is subject to copyright protection under the copyright laws of the United States and of other countries. The owner of the copyright rights has no objection to the facsimile reproduction by anyone of the patent document or the patent disclosure, as it appears in the United States Patent and Trademark Office publicly available file or records, but otherwise reserves all copyright rights whatsoever. The copyright owner does not hereby waive any of its rights to have this patent document maintained in secrecy, including without limitation its rights pursuant to 37 C.F.R. § 1.14.

FIG. 1 is a perspective fragmentary view of a LED illuminated panel showing my new design, wherein bounds for the panel of the fragmentary view are shown in broken lines which are for illustrative purposes to indicate indeterminate width only and form no part of the claimed design; FIG. 2 is a front elevational view thereof, the rear elevational view being identical; FIG. 3 is a left side elevational view thereof, the right side elevational view being identical; and, FIG. 4 is a top plan view thereof, the bottom plan view being identical.

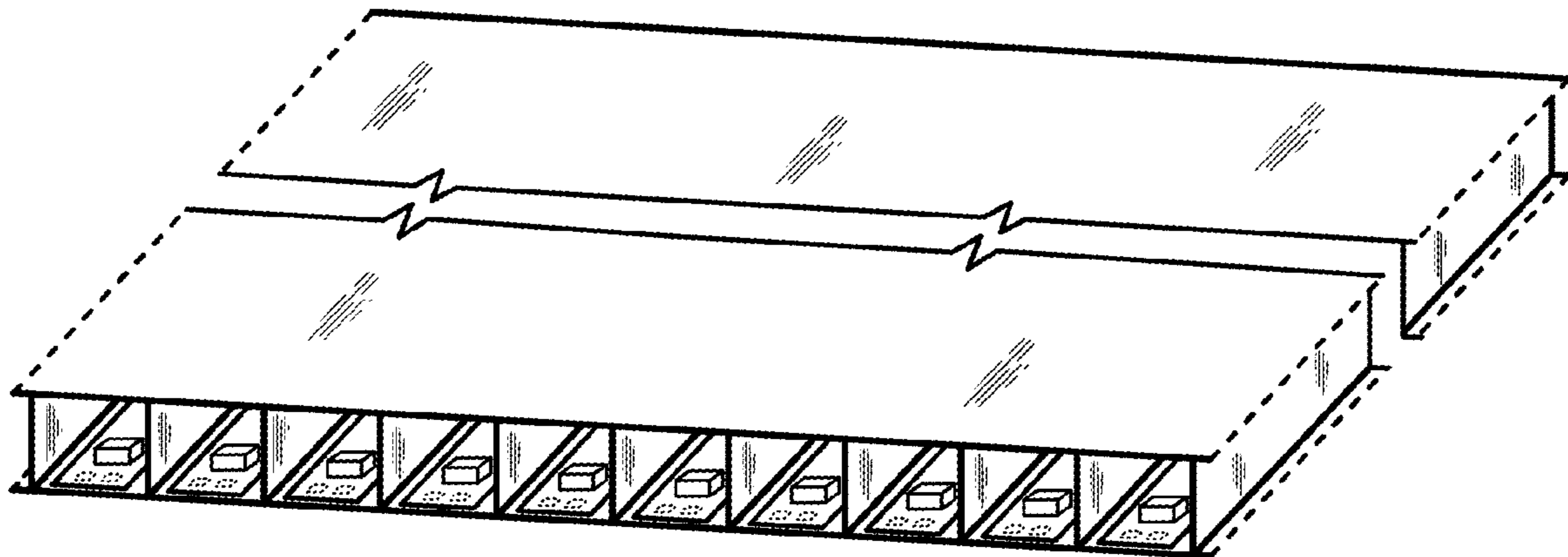
Broken lines in the drawings are for illustrative purposes only and do not form part of the claimed design. The areas between the break lines in the LED illuminated panel in FIGS. 1, 3, and 4 form no part of the claimed design.

1 Claim, 2 Drawing Sheets

(56) **References Cited**

U.S. PATENT DOCUMENTS

D291,030 S	7/1987	Butterfield	
D398,657 S	9/1998	Palmer et al.	
D474,509 S	5/2003	Kim	
D595,450 S	6/2009	Ko et al.	
D606,703 S *	12/2009	Sugishita	D26/120
D613,885 S	4/2010	Lodhie	
D621,804 S *	8/2010	Sip	D13/180
D630,372 S	1/2011	Lodhie	
D655,854 S *	3/2012	Kim	D26/89
D667,968 S	9/2012	Shin et al.	
D694,935 S	12/2013	Zheng et al.	



(56)

References Cited

U.S. PATENT DOCUMENTS

D738,027 S 9/2015 Wang et al.
D740,239 S 10/2015 Amini

* cited by examiner

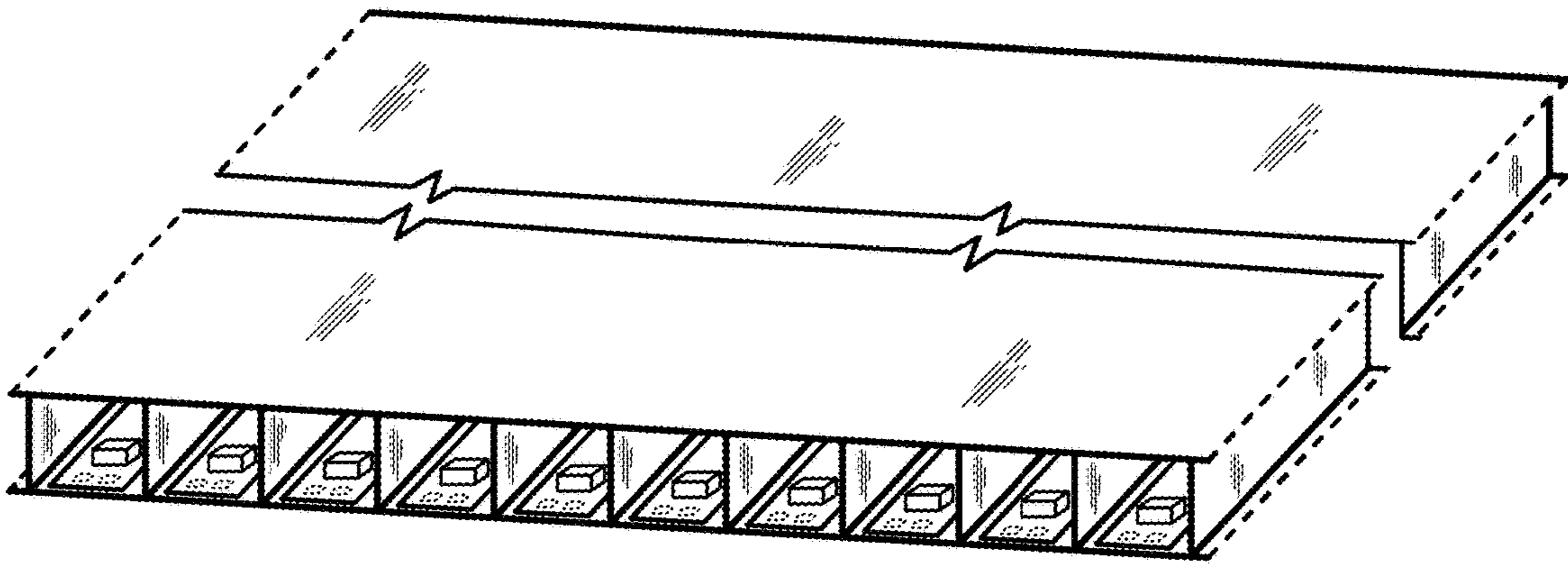


FIG. 1

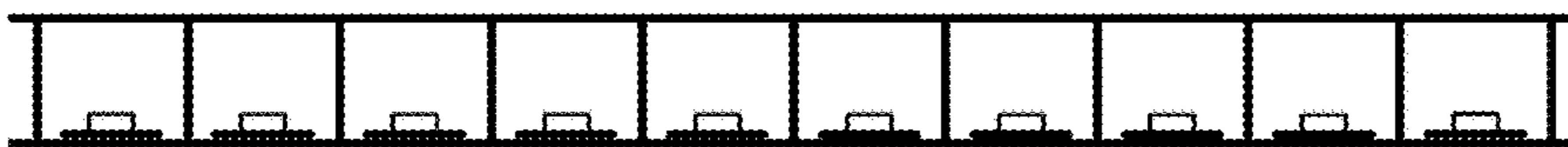


FIG. 2

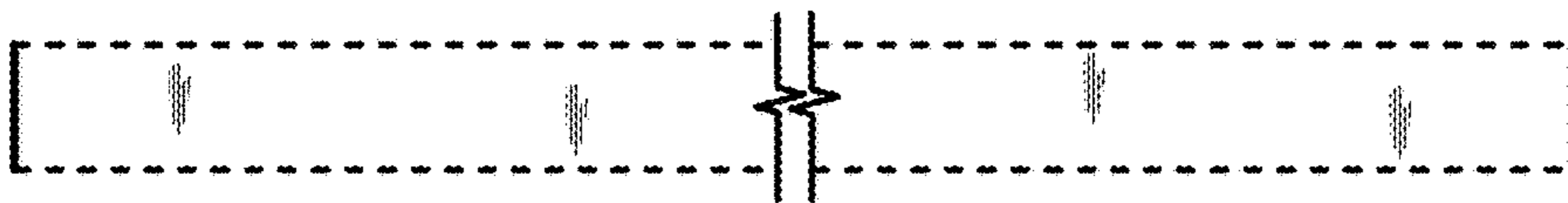


FIG. 3

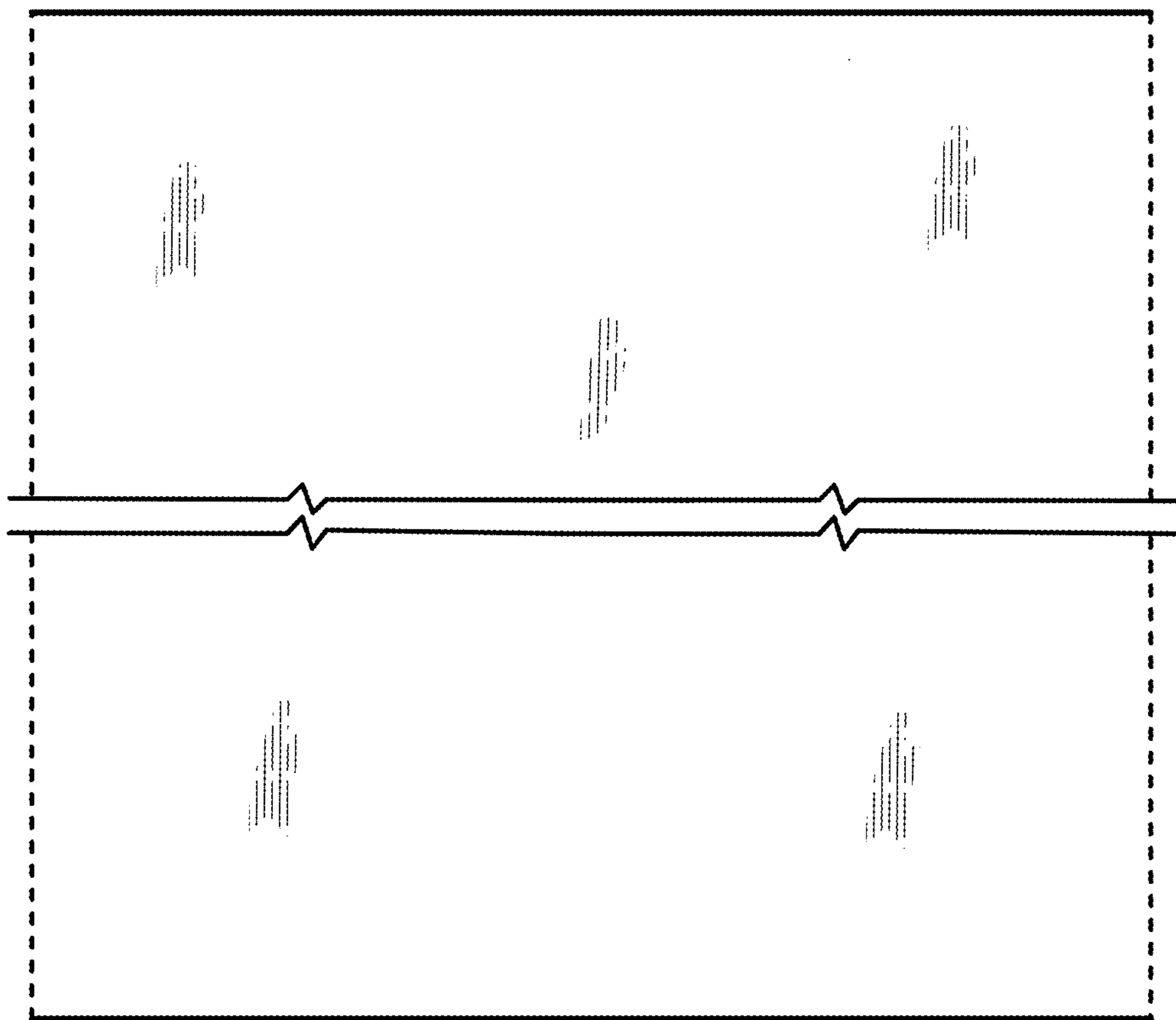


FIG. 4